

FT-1000

TECHNICAL SUPPLEMENT

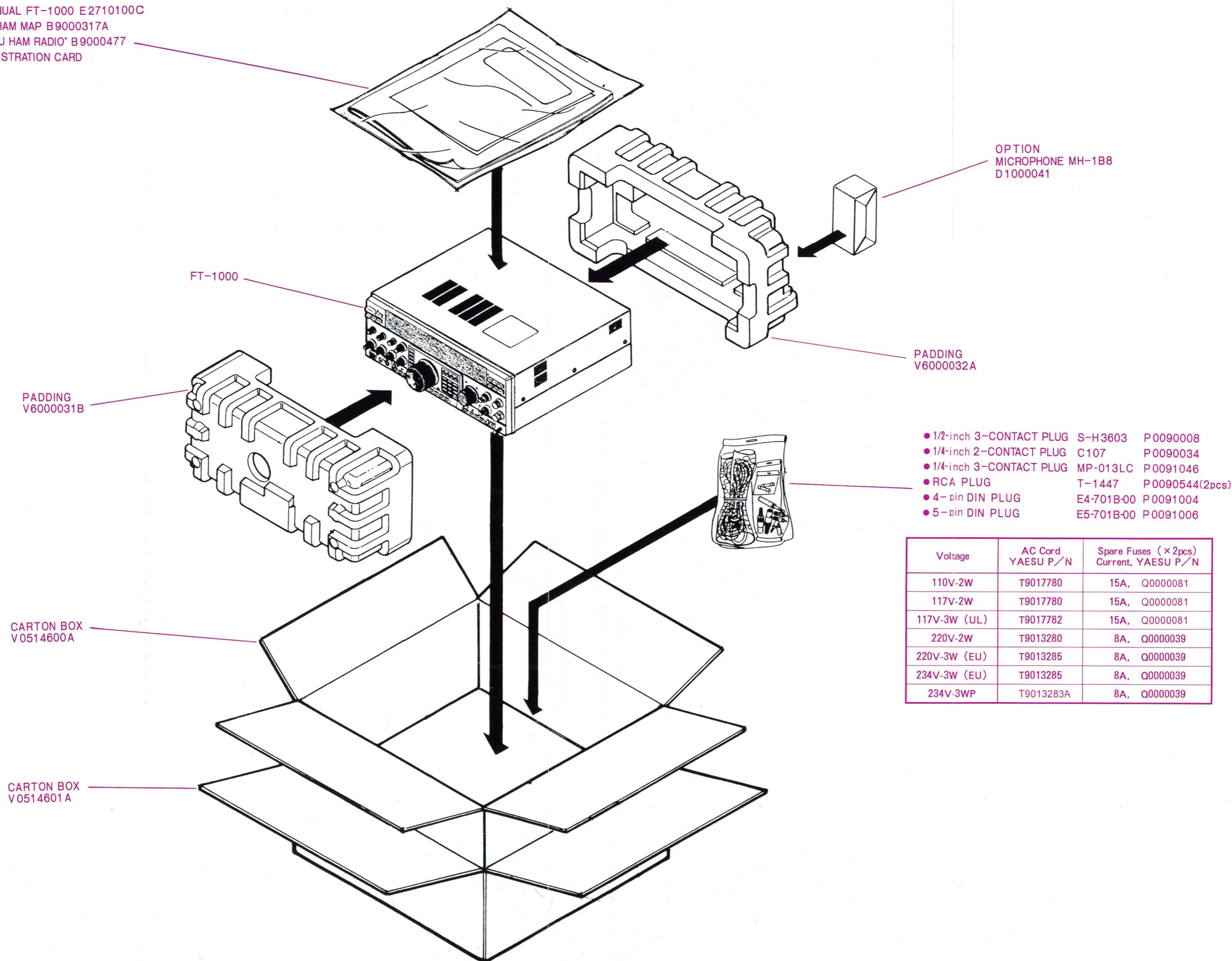


YAESU
...leading the way.SM

Contents

1. Packaging	
2. Exploded View (Mechanical)	
Mechanical Parts List	2-4
3. Case Disassembly	
Circuit Board Access	3-2
4. Alignment	4-1
5. Modifications	5-1
6. Block Diagrams	
Local Unit Block Diagram	6-1
RX-2 Unit Block Diagram	6-2
Overall Block Diagram	6-3
7. PCB Diagrams & Parts Lists	
PCB Interconnection Diagram	7-1
RF Unit Parts List	7-2
RF Unit Layout	7-13
RF Unit Schematic Diagram	7-15
IF Unit Parts List	7-16
IF Unit Board Layout	7-28
IF Unit Schematic Diagram	7-30
AF Unit Parts List	7-31
AF Unit Board Layout	7-41
AF Unit Schematic Diagram	7-43
Local Unit Parts List	7-44
Local Unit Board Layout	7-54
Local Unit Schematic Diagram	7-56
Control Unit Parts List	7-57
Control Unit Board Layout	7-63
Control Unit Schematic Diagram	7-65
RX2 Unit Parts List	7-66
RX2 Unit Board Layout	7-80
RX2 Unit Schematic Diagram	7-82
PA Unit Parts List	7-83
PA Unit Board Layout	7-85
PA Unit Schematic Diagram	7-87
LPF Unit Parts List	7-88
LPF Unit Board Layout	7-90
LPF Unit Schematic Diagram	7-92
Protect Unit Parts List	7-93
Protect Unit Layout & Schematic	7-95
Tuner Main Unit Parts List	7-96
Tuner Main Unit Board Layout	7-98
Tuner Main Unit Schematic Diagram	7-100
Tuner Control Unit Parts List	7-101
Tuner Control Unit Board Layout	7-105
Tuner Control Unit Schematic Diagram	7-106
DDS A/B Unit Parts List	7-107
DDS A/B Unit Layout & Schematic	7-109
Width/Shift/Mode DDS Unit Parts List	7-110
Width/Shift/Mode DDS Unit Layout & Schematic Diagram	7-114
Reference (REF) Unit Parts List	7-115
Reference Unit Layout & Schematic	7-117
Display Unit Parts List	7-118
Display Unit Board Layout	7-120
Display Unit Schematic Diagram	7-121
PS Unit Parts List	7-122
PS Unit Board Layout	7-124
PS Unit Schematic Diagram	7-125
Rectifier (RECT) Unit Parts List	7-126
Rectifier (RECT) Schematic Diagram	7-128
Switch (SW) A Unit Parts List	7-129
Switch A Unit Layout & Schematic	7-131
Switch B & C Units Parts Lists	7-132
Switch B & C Units Layouts & Schematic Diagrams	7-134
Switch D, E & F Units Parts Lists	7-135
Switch D, E & F Units Layouts & Schematic Diagrams	7-137
Switch G, H & K Units Parts Lists	7-138
Switch G, H & K Units Layouts & Schematic Diagrams	7-140
VR A & B Units Parts Lists	7-141
VR A & B Units Layouts & Schematics	7-143
SHP Unit Parts List	7-144
SHP Unit Layout & Schematic	7-146
HP & Mic Units Parts Lists	7-147
HP & Mic Units Layouts & Schematics	7-149
XF-A & B Units Parts Lists	7-150
XF-A & B Units Layouts & Schematics	7-152
XF-C, D, E, F & G Units Parts Lists	7-153
XF-C, D, E, F & G Units Layouts & Schematic Diagrams	7-155
Key Ass'y A & B Parts Lists	7-156
Key Ass'y A & B Layouts & Schematic Diagrams	7-160
8. Options	
BPF-1 Packaging	8-1
BPF-1 Exploded View	8-2
BPF-1 Parts List	8-3
BPF-1 Board Layout	8-7
BPF-1 Schematic Diagram	8-8
BPF-1 Relay Unit Layout & Schematic	8-9
TCXO-1 Packaging	8-11
TCXO-1 Parts List	8-12
TCXO-1 Board Layout & Schematic	8-13

- OPERATING MANUAL FT-1000 E2710100C
- YAESU WORLD HAM MAP B9000317A
- STICKER "YAESU HAM RADIO" B9000477
- WARRANTY REGISTRATION CARD



OPTION
MICROPHONE MH-1B8
D1000041

PADDING
V6000032A

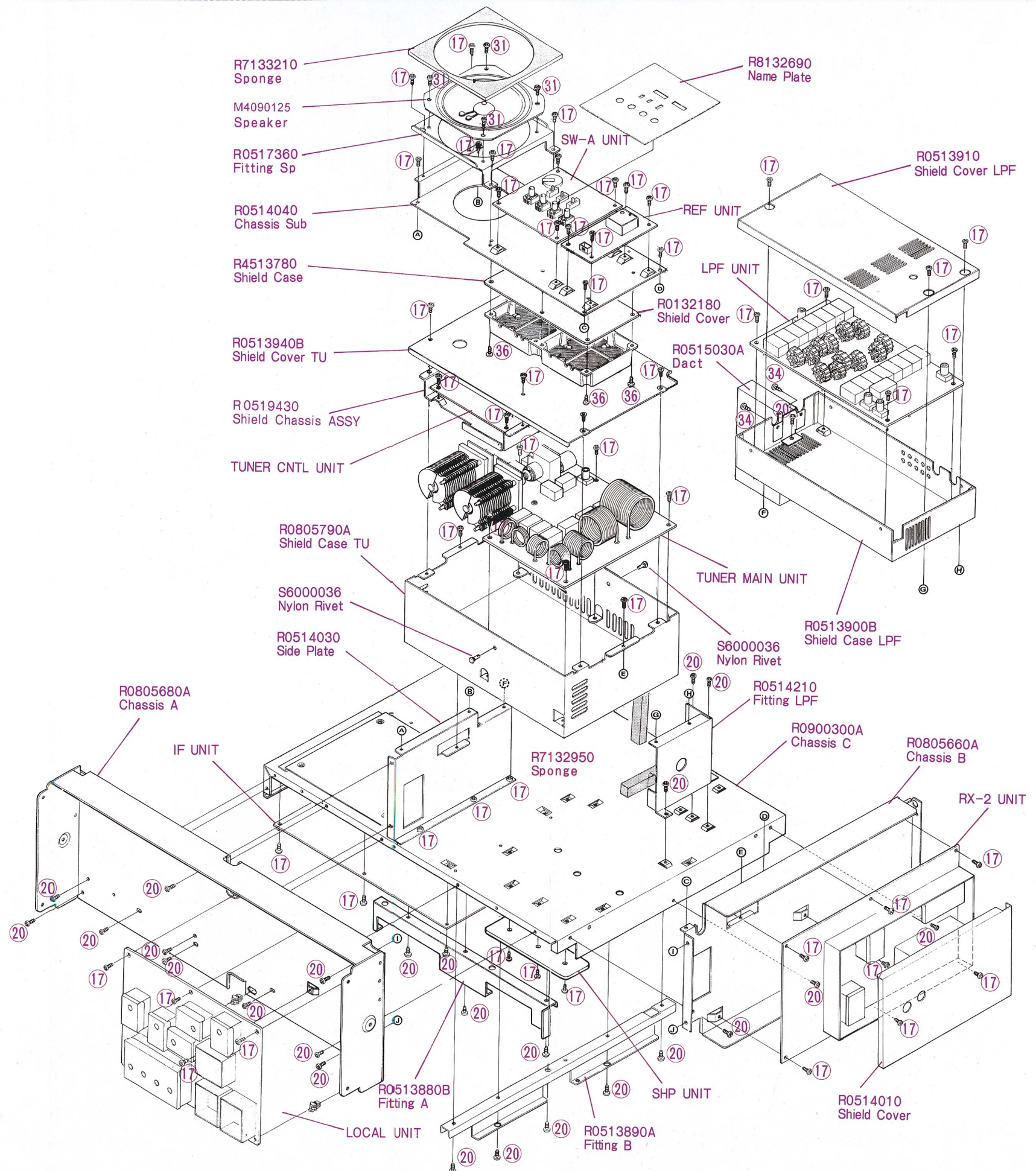
PADDING
V6000031B

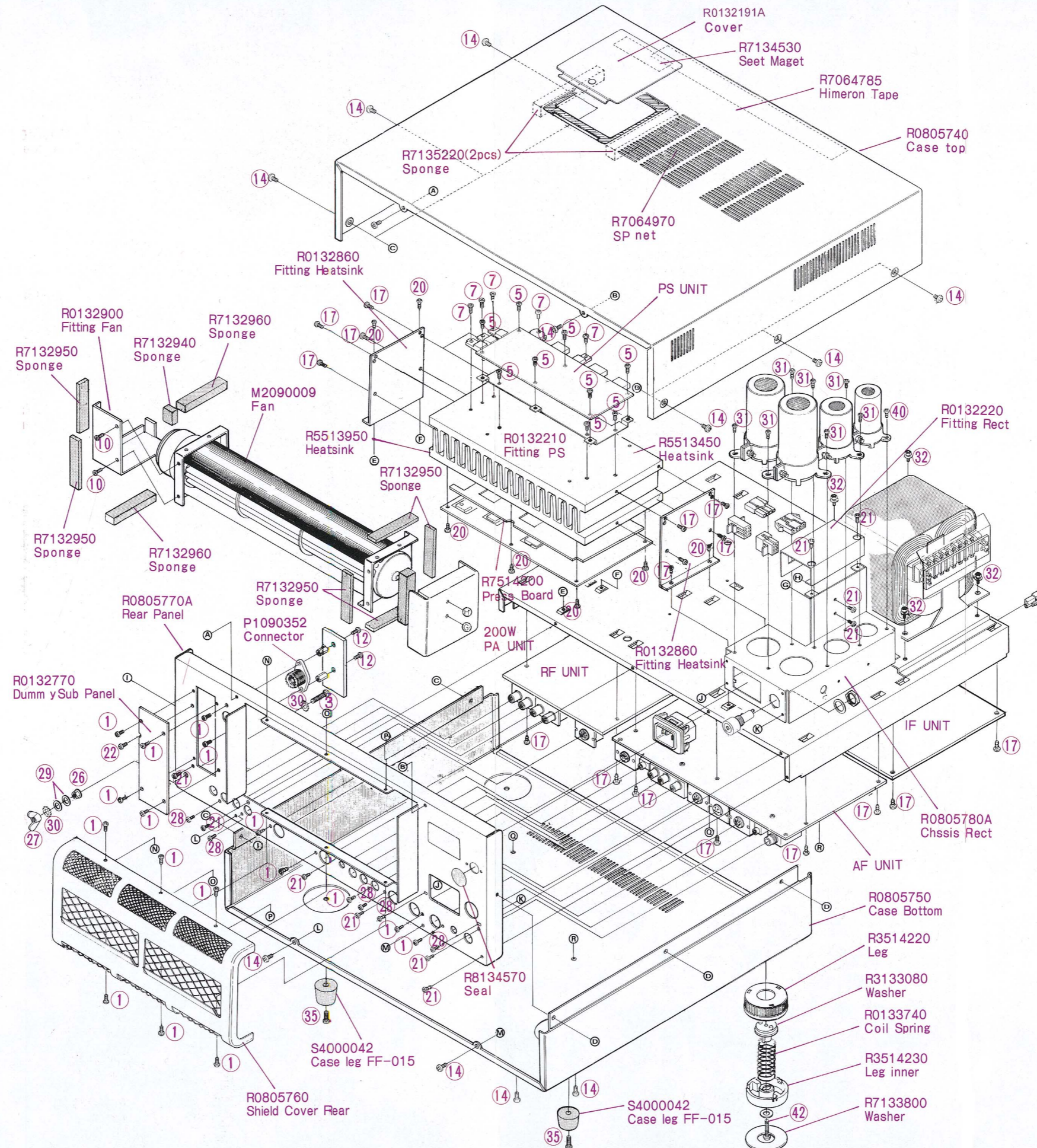
- 1/2-inch 3-CONTACT PLUG S-H3603 P0090008
- 1/4-inch 2-CONTACT PLUG C107 P0090034
- 1/4-inch 3-CONTACT PLUG MP-013LC P0091046
- RCA PLUG T-1447 P0090544(2pcs)
- 4-pin DIN PLUG E4-701B-00 P0091004
- 5-pin DIN PLUG E5-701B-00 P0091006

CARTON BOX
V0514600A

CARTON BOX
V0514601A

Voltage	AC Cord YAESU P/N	Spare Fuses (×2pcs) Current, YAESU P/N
110V-2W	T9017780	15A, Q0000081
117V-2W	T9017780	15A, Q0000081
117V-3W (UL)	T9017782	15A, Q0000081
220V-2W	T9013280	8A, Q0000039
220V-3W (EU)	T9013285	8A, Q0000039
234V-3W (EU)	T9013285	8A, Q0000039
234V-3WP	T9013283A	8A, Q0000039





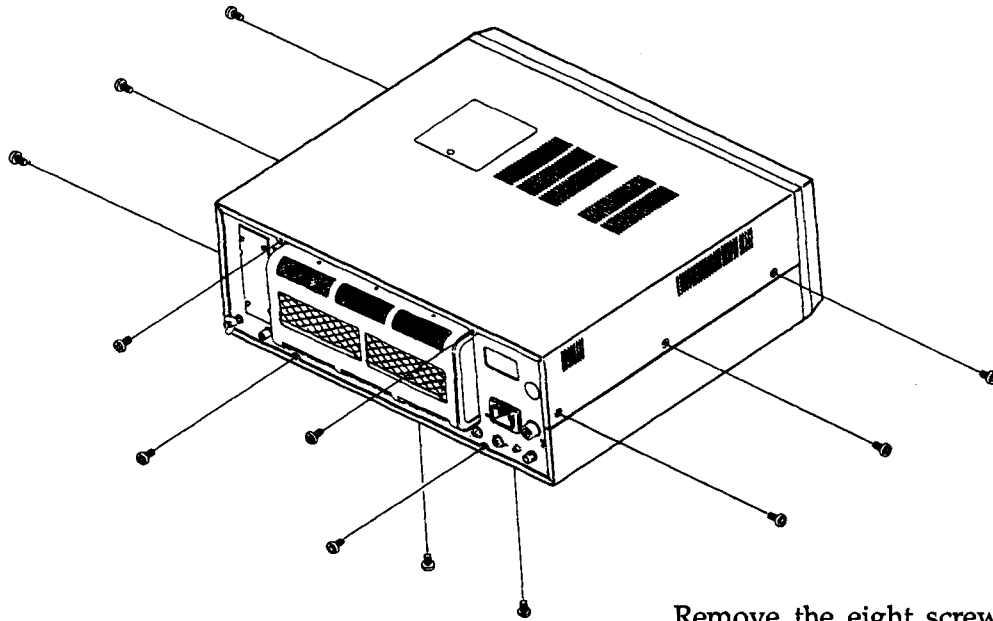
Mechanical Parts List

Ret No.	Part No.	Description	Qty.
1	U00306007	M3×6B	17
2	U00312007	M3×12B	2
3	U00520002	M5×20 Ni	1
4	U02304001	SM3×4	4
5	U03306001	ASM3×6	17
6	U03308001	ASM3×8	13
7	U03310001	ASM3×10	5
8		not used	—
9	U04306002	HSM3×6 Ni	6
10	U04406001	HSM4×6	2
11	U00204001	M2.6×4	15
12	U20304001	BINDING HEAD SCREW M3×4	17
13	U20306001	BINDING HEAD SCREW M3×6	19
14	U20406007	BINDING HEAD SCREW M4×6B	12
15	U23206001	TAPTITE SCREW M2.6×6	1
16	U24204001	TAPTITE SCREW M2.6×4	9
17	U24306001	TAPTITE SCREW M3×6	77
18	U24316001	TAPTITE SCREW M3×16	1
19	U23208001	TAPTITE SCREW M2.6×8	9
20	U44305001	TAPTITE SCREW M3×5	44
21	U44305007	TAPTITE SCREW M3×5B	11
22	U43305001	TAPTITE SCREW M3×5	2
23	U44306001	TAPTITE SCREW M3×6	2
24	U43308001	TAPTITE SCREW M3×8	5
25	U66300001	FLANGE NUT N3	2
26	U66500002	FLANGE NUT N5 Ni	1
27	U65500102	WING NUT N5 Ni	1
28	U44306007	TAPTITE SCREW M3×6B	5
29	U70005002	FW5 Ni	2
30	U73005002	IW5 Ni	2
31	U9900010	TAPTITE SCREW HM3×6B	7
32	U9900009	HEX HEAD BOLT HSM5×8	4
33	Q6000114	B-4	2
34	U40304201	FLAT HEAD SCREW 3×4	2
35	U20410007	BINDING HEAD SCREW M4×10B	2
36	U30306001	TAPPING SCREW M3×6	10
37	U91406007	HEX SOCKET SET SCREW M4 x 6B	2
38	U62012001	VOLUME NUT 12×14×2 (P1)	2
39	U70012001	FW 12	4
40	U24308001	TAPTITE SCREW M3×8	1
41	U9900021	TAPTITE SCREW HM3×6	1
42	U22416007	BINDING HEAD SCREW HM4×16B	2
43	U44408001	TAPTITE SCREW M4×8	3
44	U44406001	TAPTITE SCREW M4×6	3
45	U24310001	BINDING HEAD SCREW M3×10	4
46	U35306001	TAPTITE SCREW M3×6	4
47	U20305001	BINDING HEAD SCREW 3×5	4

Mechanical Parts List

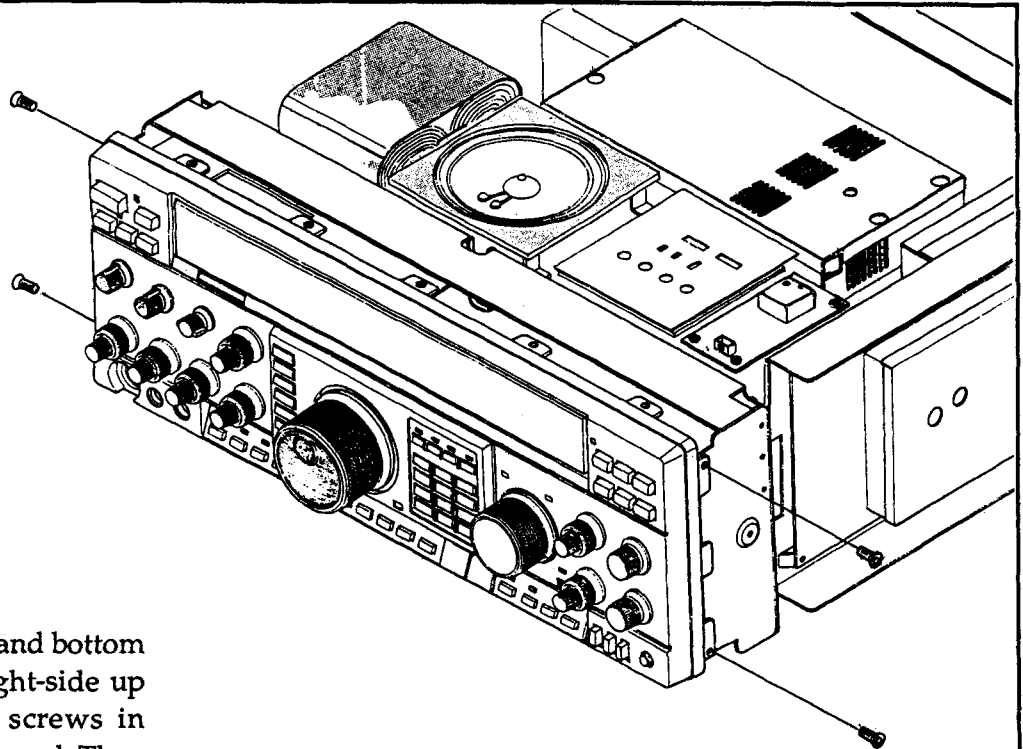
REF.	DESCRIPTION	VALUE	WV	TOL.	MFGR'S DESIG	YAESU P/N	VERS.
*** MAIN-ASSY *** (WIRE-ASSY)							
P 0001	WIRE-ASSY					T9205809	
P 0003	WIRE-ASSY					T9205810	
P 0005	WIRE-ASSY					T9205811	
P 0007	WIRE-ASSY					T9205812	
P 0009	WIRE-ASSY					T9205813	
P 0011	WIRE-ASSY					T9205814	
P 0013	WIRE-ASSY					T9205815	
P 0023	WIRE-ASSY					T9205820	
P 0025	WIRE-ASSY					T9205821	
P 0027	WIRE-ASSY					T9205822	
P 0029	WIRE-ASSY					T9205823	
P 0031	WIRE-ASSY					T9205824	
P 0033	WIRE-ASSY					T9205825	
P 0035	WIRE-ASSY					T9205826	
P 0037	WIRE-ASSY					T9205827	
P 0039	WIRE-ASSY					T9205828	
P 0041	WIRE-ASSY					T9205829	
P 0043	WIRE-ASSY					T9205830	
P 0045	WIRE-ASSY					T9205831	
P 0047	WIRE-ASSY					T9205832	
P 0049	WIRE-ASSY					T9205833	
P 0051	WIRE-ASSY					T9205834	
P 0053	WIRE-ASSY					T9205835	
P 0055	WIRE-ASSY					T9205836	
P 0057	WIRE-ASSY					T9205837	
P 0059	WIRE-ASSY					T9205838	
P 0061	WIRE-ASSY					T9205839	
P 0063	WIRE-ASSY					T9205840	
P 0065	WIRE-ASSY					T9205841A	
P 0067	WIRE-ASSY					T9205842	
P 0069	WIRE-ASSY					T9205843	
P 0071	WIRE-ASSY					T9205844	
P 0073	WIRE-ASSY					T9205845	
P 0075	WIRE-ASSY					T9205846	
P 0077	WIRE-ASSY					T9205847	
P 0079	WIRE-ASSY					T9205848	
P 0081	WIRE-ASSY					T9205849	
P 0084	WIRE-ASSY					T9205851	
P 0086	WIRE-ASSY					T9205852	
P 0088	WIRE-ASSY					T9205853C	
P 0091	WIRE-ASSY					T9205870C	
P 0095	WIRE-ASSY					T9205960	
P 0096	WIRE-ASSY					T9205857B	
P 0098	WIRE-ASSY					T9205858	
P 0100	WIRE-ASSY					T9205859	
P 0104	WIRE-ASSY					T9205861	
P 0106	WIRE-ASSY					T9205862	
P 0110	WIRE-ASSY					T9205864	
P 0112	WIRE-ASSY					T9205863	
P 0122	WIRE-ASSY					T9205923	
P 0124	WIRE-ASSY					T9315906A	
P 0126	TMP-PLUG WIRE-ASSY					T9315902A	
P 0128	WIRE-ASSY					T9317849	
P 0130	WIRE-ASSY					T9205918	
P 0132	WIRE-ASSY					T9317850	
P 0134	WIRE-ASSY					T9317851	
P 0136	WIRE-ASSY					T9315504	
P 0138	WIRE-ASSY					T9317852	
P 0140	WIRE-ASSY					T9317853	
P 0142	WIRE-ASSY					T9317854	
P 0144	WIRE-ASSY					T9311201	
P 0146	WIRE-ASSY					T9317855	
P 0148	WIRE-ASSY					T9205919	
P 0150	WIRE-ASSY					T9205920	
P 0152	WIRE-ASSY					T9205868	
P 0154	WIRE-ASSY					T9205869	
P 0156	WIRE-ASSY					T9317857	
P 0158	CT-CORD					T9317863A	
P 0159	WIRE-ASSY					T9317859	
P 0161	WIRE-ASSY					T9317860	
P 0165	WIRE-ASSY					T9317845	
P 0166	WIRE-ASSY					T9317846	
P 0167	WIRE-ASSY					T9317847	
P 0168	WIRE-ASSY					T9317848	

Case Disassembly



Remove the eight screws in the top cover first, and remove the top cover. Then place the set on its side or upside-down, and remove the remaining 4 screws to remove the bottom cover.

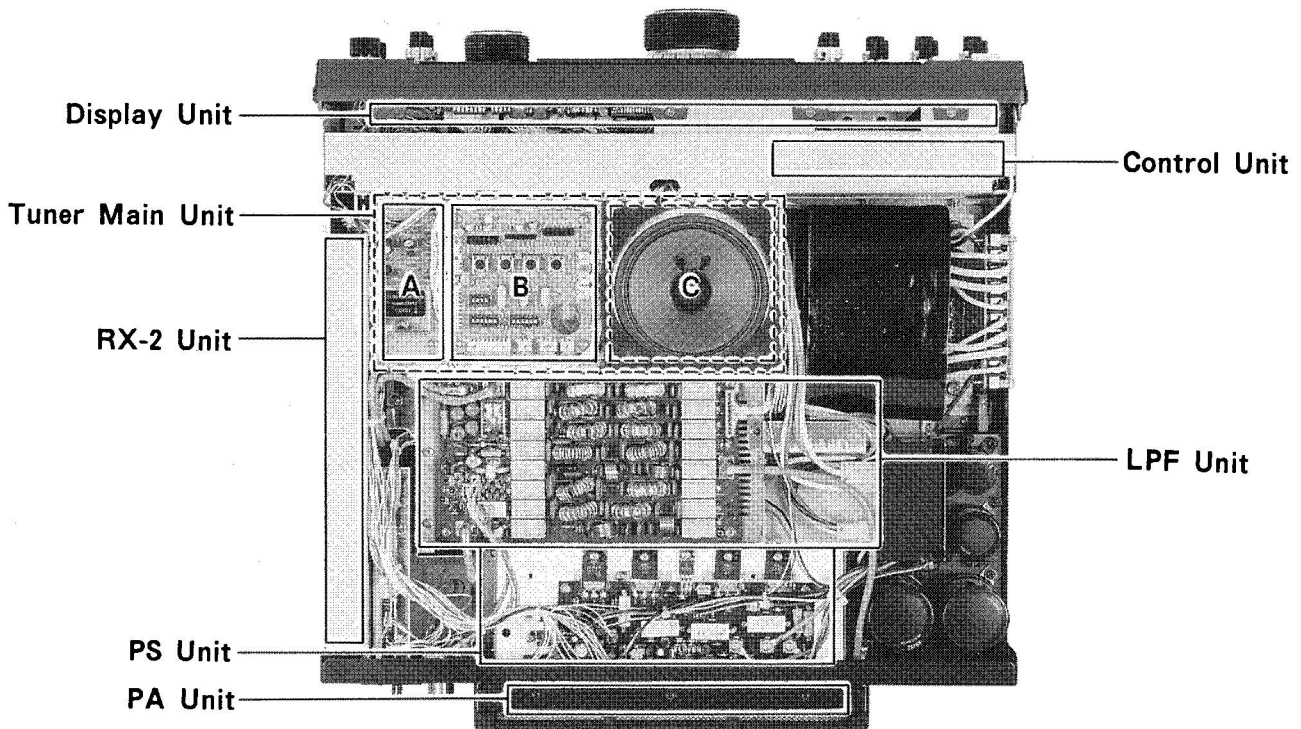
Top & Bottom Cover Removal



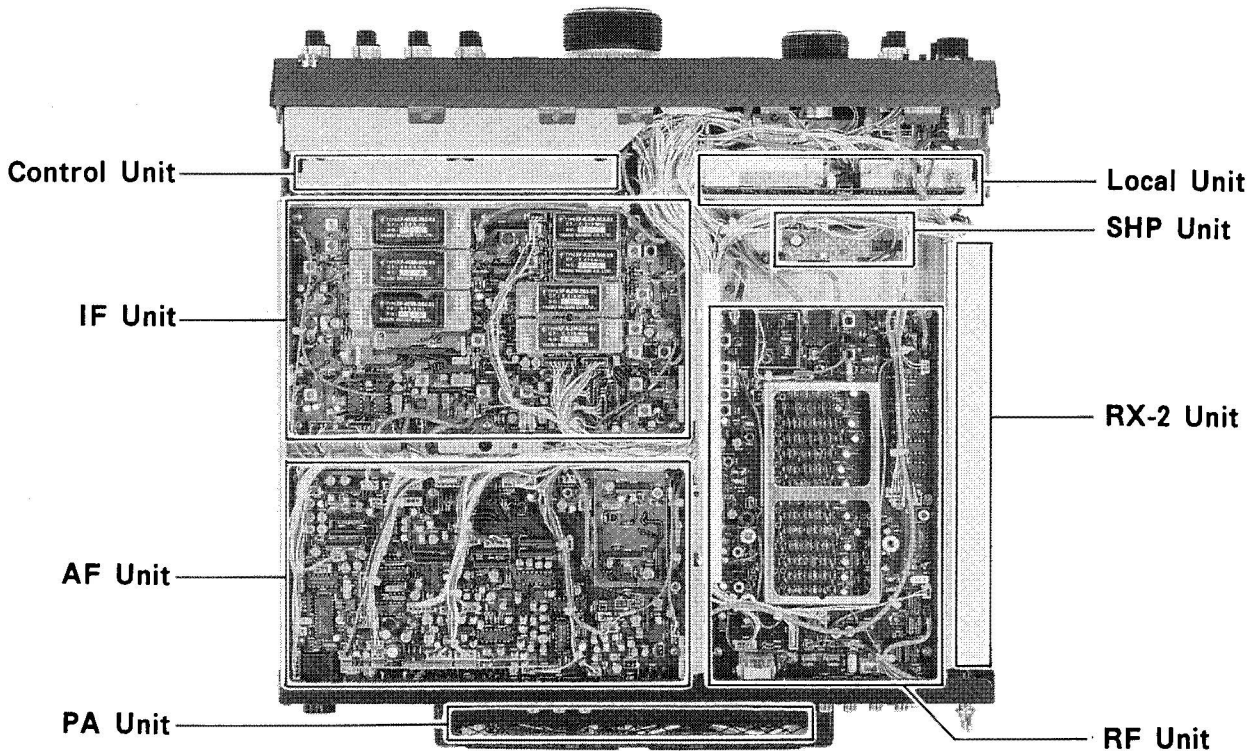
After removing the top and bottom covers, place the set right-side up and remove the two screws in either side of the front panel. Then pull the panel forward slightly before folding it down.

Front Panel Removal

Circuit Board Access



A: TCXO-1 Unit
B: SW-A Unit
C: Tuner Control Unit



Alignment

The FT-1000 is carefully designed to allow the knowledgeable operator to make nearly all adjustments required for various station conditions, modes and operator preferences simply from the controls on the panels, without opening the case of the transceiver. These adjustments, plus certain internal settings, are described in the FT-1000 Operating Manual.

The following procedures cover the sometimes critical and tedious adjustments that are not normally required once the transceiver has left the factory. However, if damage occurs and some parts subsequently be replaced, realignment may be required. If a sudden problem occurs during normal operation, it is likely due to component failure; realignment should not be done until after the faulty component has been replaced.

We recommend that servicing be performed only by authorized Yaesu service technicians who are experienced with the circuitry and fully equipped for repair and alignment. Therefore, if a fault is suspected, contact the dealer from whom the transceiver was purchased for instructions regarding repair. Authorized Yaesu service technicians realign all circuits and make complete performance checks to ensure compliance with factory specifications after replacing any faulty components.

Those who do undertake any of the following alignments are cautioned to proceed at their own risk. Problems caused by unauthorized attempts at realignment are not covered by the warranty policy. Also, Yaesu must reserve the right to change circuits and alignment procedures in the interest of improved performance, without notifying owners.

Under no circumstances should any alignment be attempted unless the normal function and operation of the transceiver are clearly understood, the cause of the malfunction has been clearly pinpointed and any faulty components replaced, and the need for realignment determined to be absolutely necessary.

The following test equipment (and thorough familiarity with its correct use) is necessary for complete realignment. Correction of problems caused by misalignment resulting from use of improper test equipment is not covered under the warranty policy. While most steps do not require all of the equipment listed, the interactions of some adjustments may require that more complex adjustments be performed afterwards. Do not attempt to perform only a single step unless it is clearly isolated electrically from all other steps.

Rather, have all test equipment ready before beginning, and follow all of the steps in a section in the order they are presented.

- DC Voltmeter (high-Z, >1-M Ω /V)
- RF Millivoltmeter
- AF Millivoltmeter
- RF Standard Signal Generator w/calibrated output and dB scale, 0dB=0.5 μ V
- AF Signal Generator with calibrated output
- Spectrum Analyzer (30 MHz)
- 50- Ω Dummy Load
- 50- Ω Resistor ($\frac{1}{4}$ - or $\frac{1}{2}$ -W, film or composition)
- 600- Ω Resistor ($\frac{1}{4}$ - or $\frac{1}{2}$ -watt)
- 16.6- Ω Dummy Load (or 3 50- Ω loads that can be connected in parallel)
- Adjustable, Regulated DC Supply (0 ~ 5 V)
- Linear Detector
- RF Attenuator (200-W, 40-dB) or RF coupler

Alignment Preparation & Precautions

A 50- Ω dummy load and inline wattmeter must be connected to the main antenna jack in all procedures that call for transmission, except where specified otherwise. Correct alignment is not possible with an antenna.

Except where specified otherwise, the transceiver should be tuned to 14.2 MHz, USB mode, and the following controls set as indicated:

- MOX & VOX** buttons OFF (■)
- AGC** to **FAST**
- ATT** to **OFF**
- RX MIX & MONI** to 12-o'clock
- MIC & RF PWR** fully CCW (minimum)
- PROC & DRIVE** fully CCW (minimum)
- SQL** fully CCW, **NB** 12-o'clock
- AF** as required, **RF** fully CW (maximum)
- NOTCH & APF** to 12-o'clock
- SHIFT** to 12 o'clock, **WIDTH** fully CW

After completing one step, read the following step to determine whether the same test equipment will be required. If not, remove the test equipment (except dummy load and wattmeter, if connected) before proceeding.

Correct alignment requires that the ambient temperature be the same as that of the transceiver and test equipment, and that this temperature be

held constant between 20 and 30 °C (68 ~ 86 °F). When the transceiver is brought into the shop from hot or cold air it should be allowed some time for thermal equalization with the environment before alignment.

Alignments must only be made with oscillator shields and circuit boards firmly affixed in place. Also, the test equipment must be thoroughly warmed up before beginning.

Note: Signal levels in dB referred to in the alignment procedure are based on 0 dBμ = 0.5 dBμV.

Table note: DC voltages should measure within ±10% of those listed in the voltage tables.

Local Unit

Reference Amp

- Remove coaxial TMP plug P7702 from connector J4015 and connect the 50-Ω resistor across the socket. Connect the RF millivoltmeter across the resistor, and adjust T4002 for 140 mV_{rms}. Remove the resistor and meter, and replace P7702 in J4015.

- Connect the RF millivoltmeter to TP4001 and adjust T4003 for 450 mV_{rms}.

Reference Multiplexer BPFs

Connect the RF millivoltmeter to TP4003. Adjust T4004, T4005 and T4006 for peak, in that order. Final voltage should be at least 500 mV_{rms}.

8.67-MHz 3rd Local Oscillator Frequency

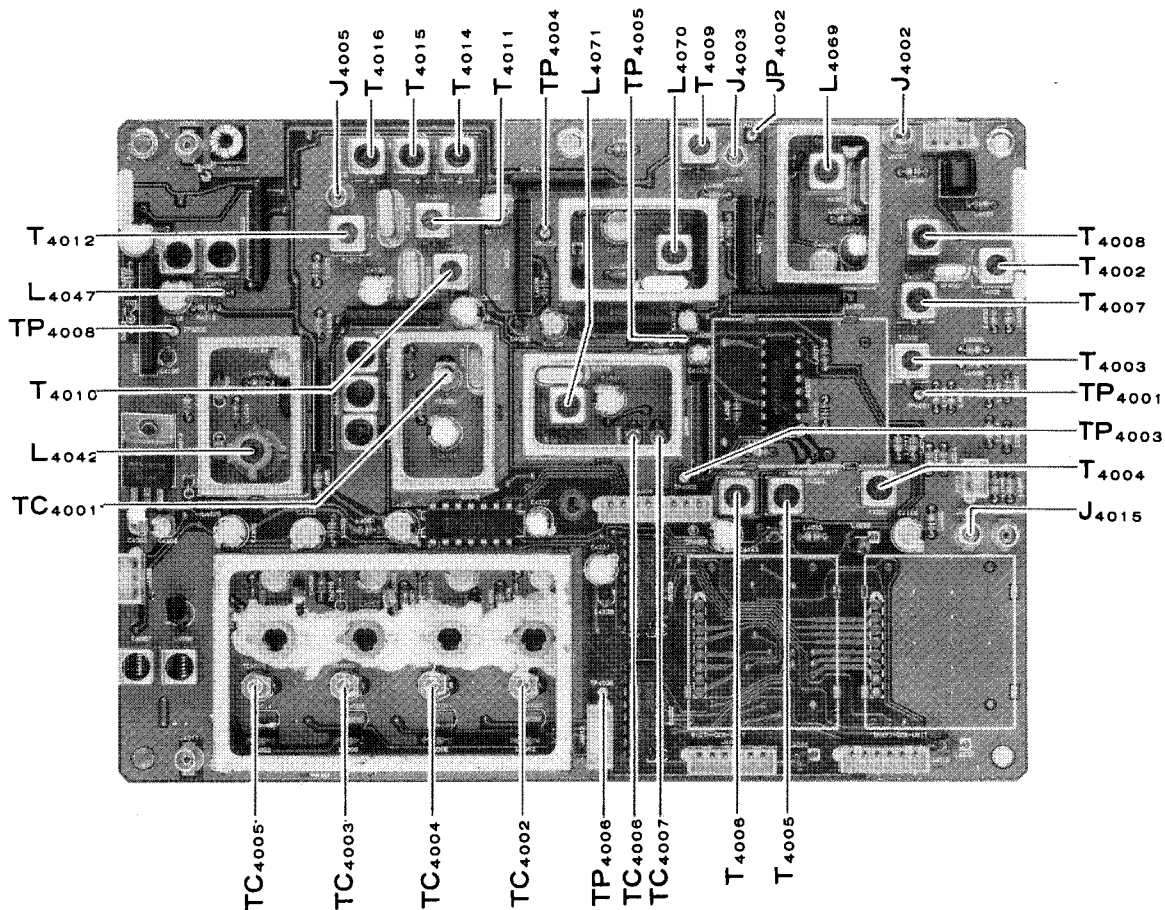
Make sure the **WIDTH** control is fully clockwise, and connect the frequency counter across J4005. Adjust TC4001 for 8.67000 MHz ± 50 Hz.

52.64488 MHz Oscillator Frequency

- Preset TC4006 and TC4007 to their center positions, select the LSB mode, and connect the frequency counter to TP4005.
- Adjust L4071 for 52.64488 MHz ± 50 Hz on the counter.
- Now switch to USB mode and adjust TC4006 for the same frequency (TC4007 remains preset to center).

65.405 MHz (2nd LO) VCXO Control Voltage

- Select the AM mode, connect the DC voltmeter to TP4002, and adjust L4069 for 2.5 ± 0.2V.



Local Unit Test & Alignment Points

- Now select the RTTY (LSB) mode and confirm 3.2 ± 0.4 V at TP4002.
- Press the RTTY button again to switch to RTTY (USB) and confirm 1.6 ± 0.4 V.

2nd Local Output Level

Select the AM mode, unplug the connector from J4002, and connect the RF millivoltmeter and 50-Ω resistor in its place. Adjust T4007 and T4008 for at least 240 mV_{rms}.

52.77 MHz VCXO Control Voltage

Set the **WIDTH** and **SHIFT** controls both fully counterclockwise. Connect the DC voltmeter to TP4004, and adjust L4070 for 1.5 ± 0.2 V. Now turn the **WIDTH** and **SHIFT** controls fully CW, and confirm 4.2 ± 0.2 V.

3rd Local Output Level

Set the **WIDTH** control to the 12-o'clock position, unplug the connector from J4005, and connect the RF millivoltmeter and 50-Ω resistor in its place. Adjust T4010 ~ T4012 for at least 300 mV_{rms} on the meter.

4th Local Output Level

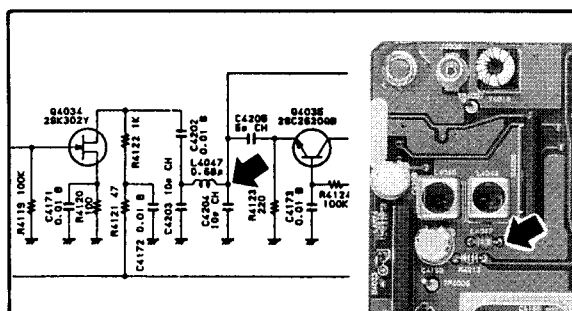
Select the AM mode, set the **WIDTH** control fully clockwise and the **SHIFT** control to 12 o'clock. Unplug the connector from J4003, and connect the RF millivoltmeter and 50-Ω resistor in its place. Adjust T4009 for at least 140 mV_{rms}.

61.44 MHz BPF

With the AM mode selected, set the **WIDTH** and **SHIFT** controls to 12-o'clock, and connect the frequency counter to L4047 (see photo below). Adjust L4042 for 62.1 ± 0.1 MHz.

Connect the RF millivoltmeter to TP4007 and adjust T4014 ~ T4016 for at least 1.0 V_{rms}.

Counter Connection for 61.44 MHz BPF



Sub-Loop VCO VCV

Select the LSB mode, and connect the DC voltmeter to TP4008. Tune the display to 655.35 kHz

and adjust L4042 for 4.0 ± 0.2 V. Turn the tuning dial to 655.36 kHz, and confirm 1.7 ± 0.5 V.

Main VCO VCV

- With the LSB mode selected, connect the DC voltmeter to TP4006. Tune the display to 30.000 MHz, and adjust TC4005 for 10.0 ± 0.2 V. Retune the display to 22.000 MHz, and confirm 4.1 ± 0.5 V.
- Tune the display to 21.999 MHz and adjust TC4004 for 10.0 ± 0.2 V. Retune to 14.500 MHz, and confirm 4.0 ± 0.5 V.
- Tune the display to 14.499 MHz and adjust TC4003 for 10.0 ± 0.2 V. Retune the display to 7.500 MHz, and confirm 4.4 ± 0.5 V.
- Tune the display to 7.499 MHz and adjust TC4002 for 10.0 ± 0.2 V. Retune the display to 100 kHz, and confirm 4.5 ± 0.5 V.

RX-2 Unit

With the power off, preset the **SQL**, **MONI**, **RX MIX** and **AF** controls on the front panel all fully CCW, and set the **FRONT END** selector to the **IPO** position. Refer to the diagram on the next page for alignment point locations.

RX-2 Carrier Frequency

Connect the frequency counter to TP6003. Referring to the table below, press the **SUB** button followed by the indicated mode button to set the sub receiver mode, and adjust the corresponding trimmer for the listed frequency ± 50 Hz.

SUB + LSB	TC6001	8.1365 MHz
SUB + USB	TC6002	8.1335 MHz
SUB + CW (Narrow)	TC6003	8.1352 MHz
SUB + AM	TC6004	8.1350 MHz

Replace the counter at TP6003 with the RF millivoltmeter, and adjust T6021 for 200 ± 50 mV_{rms}.

10.48576 MHz Reference Level

Connect the RF millivoltmeter to TP6011 and adjust T6029 for 225 ± 75 mV_{rms}.

PLL-1 7.68 MHz Loop VCV

Connect the DC voltmeter to TP6007 and adjust TC6005 for 5 ± 0.2 V.

PLL-2 40.96 MHz Loop VCV

- Connect the DC voltmeter to TP6006 and adjust L6019 for 5 ± 0.2 V.

- Connect the RF millivoltmeter to pin 2 of J6005 and adjust T6027 for $130 \pm 30 \text{ mV}_{\text{rms}}$.

2nd Local Level

Connect the RF millivoltmeter to TP6002 and adjust T6030 ~ T6032 for at least $400 \text{ mV}_{\text{rms}}$.

10-Hz Digit 46-MHz Local BPF

- Connect the frequency counter to TP6008 and adjust L6029 for approximately 47 MHz.
- Connect the RF millivoltmeter to TP6009 and adjust T6023 ~ T6026 for peak voltage (at least $1.2 \text{ V}_{\text{rms}}$).

10-Hz Digit VCO VCV

Select the LSB mode, and tune to 655.36 MHz. Connect the DC voltmeter to TP6005 and adjust L6029 for 1 to 1.2 V. Now retune to 655.35 MHz and confirm $3.5 \pm 0.3 \text{ V}$.

Main Loop VCV

- Tune the transceiver to 30.00000 MHz and connect the DC voltmeter to TP6010. Adjust TC6009 for $10 \pm 0.2 \text{ V}$. Retune to 22.00000 MHz and confirm $3.4 \pm 0.5 \text{ V}$.
- Retune to 21.99999 MHz and adjust TC6008 for $10 \pm 0.2 \text{ V}$. Retune to 14.50000 MHz and confirm $3.0 \pm 0.5 \text{ V}$.

- Retune to 14.49999 MHz and adjust TC6007 for $10 \pm 0.2 \text{ V}$. Retune to 7.50000 MHz and confirm $4.0 \pm 0.5 \text{ V}$.

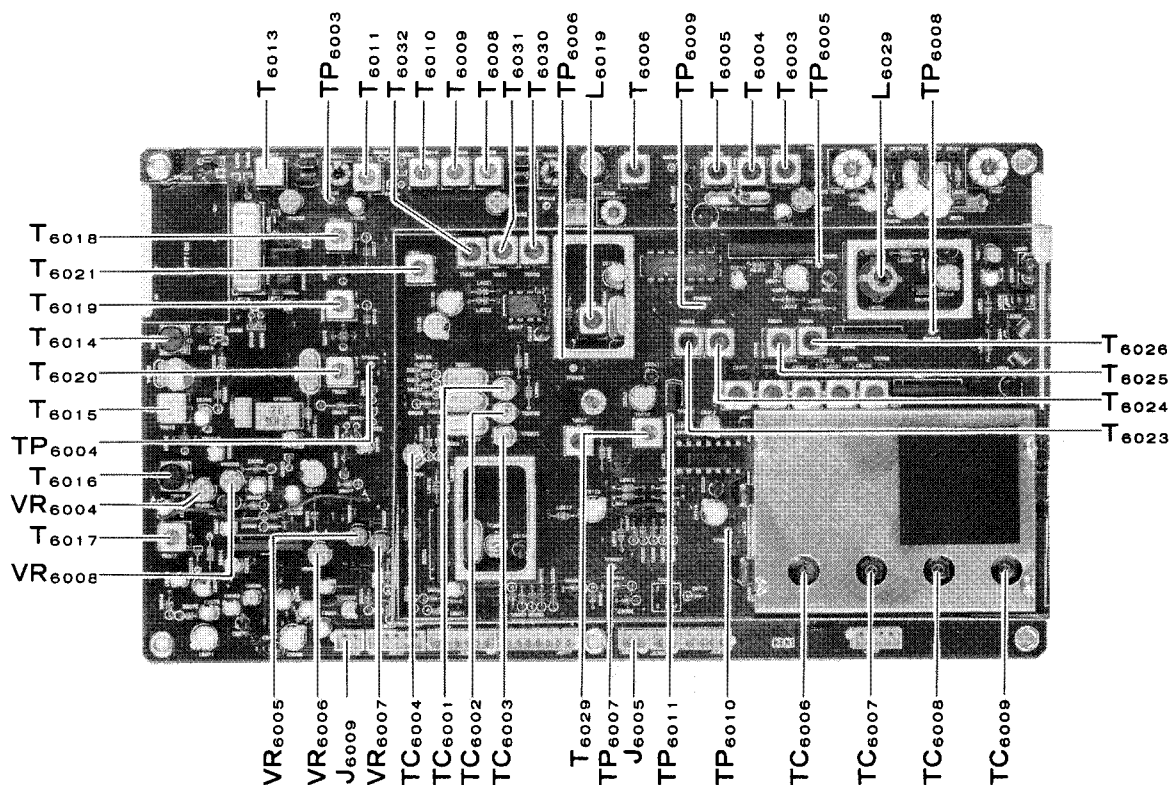
- Retune to 7.49999 MHz and adjust TC6006 for $10 \pm 0.2 \text{ V}$. Retune to 100 kHz and confirm $3.3 \pm 0.5 \text{ V}$.

Sub Receiver Sensitivity

- Connect the AF millivoltmeter to the **EXT SP** jack and the RF signal generator (set for 0 dB output) to the BPF-1 **ANT** jack, if installed, or else to the main **ANT** jack on the rear panel.
- Select the CW mode (**SUB + CW**), and tune the transceiver and signal generator for an 1-kHz heterodyne near 14.11 MHz in the sub receiver. Set the **AGC** selector to **OFF**.
- Adjust T6004 ~ T6006, T6008 ~ T6011 and T6013 ~ T6017 for peak indication on the AF millivoltmeter.

Sub Receiver Squelch Threshold

- With the same setup as in the Sub Receiver Sensitivity procedure above, reduce the signal generator output to nil, select the USB mode (**SUB + USB**), and set the **SQL** control to the 10-o'clock position.
- Adjust VR6006 so that the squelch just closes. Now select the FM mode (**SUB + FM**), move the



RX-2 Unit Test & Alignment Points

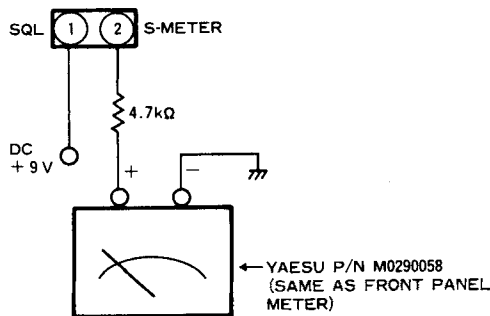
SQL control to the 9-o'clock position, and adjust VR6008 so that the squelch again just closes.

Keep the AF millivoltmeter and signal generator connected for the next procedure.

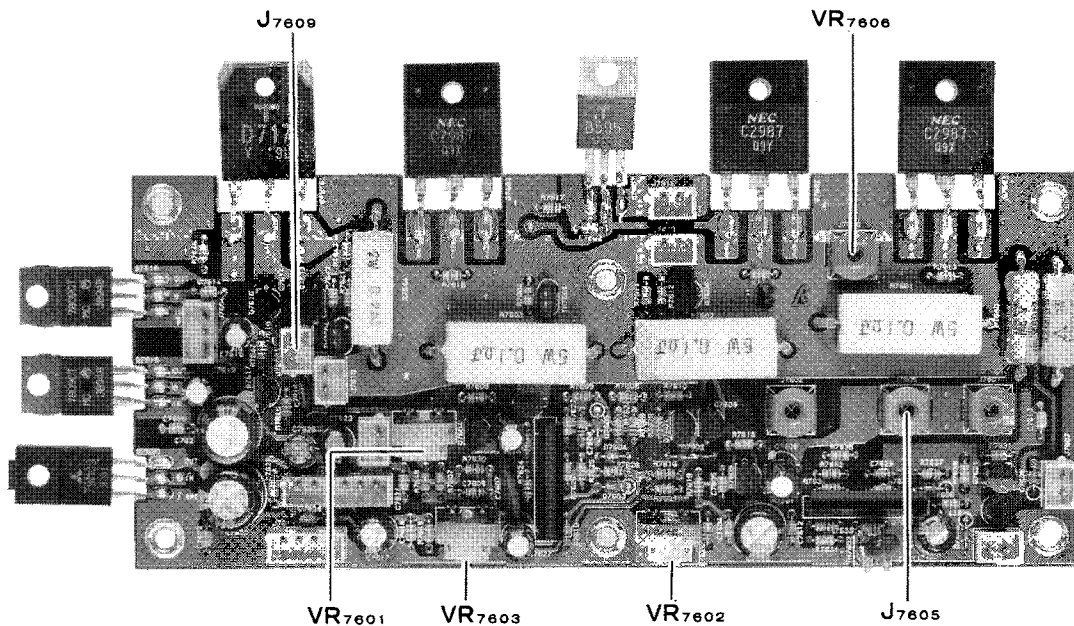
Sub Receiver S-Meter Calibration

Use the same AF millivoltmeter and signal generator setup as in the last two procedures.

- Connect the temporary meter test circuit as shown below to pin 2 of J6009 and the board ground.
- With no RF injection, adjust VR6005 so the S-meter just begins to deflect above 0.
- Inject 8 dB from the signal generator, and adjust VR6004 for precise S-1 indication.
- Increase RF injection to 12 dB, and adjust VR6005 *again* for precise S-1 indication.
- Increase injection to 100 dB, and adjust VR6007 for S-9 +60 dB (full scale) S-meter deflection.



S-Meter Alignment Jig



PS (Power Supply) Unit Test & Alignment Points

Sub Receiver Noise Blanker Level

With the USB mode selected, connect the DC voltmeter to TP6004, and increase the 14.11-MHz RF injection at the **ANT** jack to 10 dBμ. Adjust T6018 ~ T6020 for *minimum* DC on the meter.

Sub Receiver Noise Blanker Check

- Using a 1-ms noise pulse width and 100-ms interval, with both **NB** and **NB-W** off, set the pulse amplitude for S-7 deflection on the S-meter. Pressing **NB** should cause the S-meter deflection to drop to S-1.
- Using a 10-ms noise pulse width and 100-ms interval, with both **NB** and **NB-W** off, set the pulse amplitude for S-7 deflection on the S-meter. Pressing **NB-W** should cause the S-meter deflection to drop to S-1.

PS Unit (Power Supply)

30-V Regulator

Remove the plugs from J7605 (+30 V) and J7606 (ground), and connect the DC voltmeter to these jacks. Adjust VR7602 for 31.5 +0/-0.3 V, and replace the wires in J7605 and J7606.

13.5-V Regulator

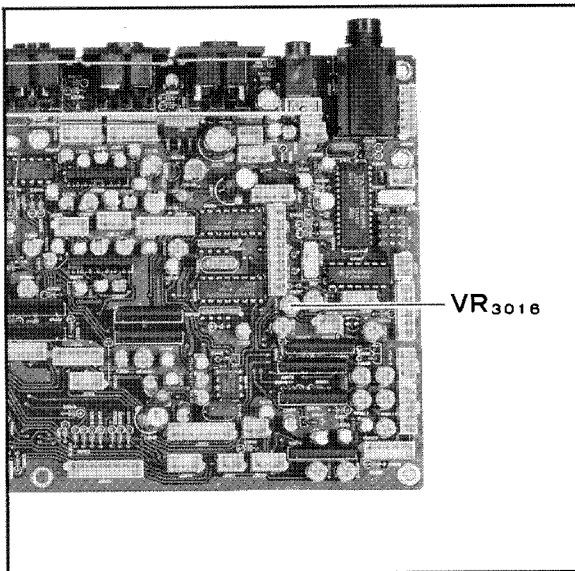
Remove the plug from J7609, and connect the DC voltmeter between the socket pins (pin 2 is positive). Adjust VR7603 for 13.5 ± 0.3 V.

Overcurrent Protection

Caution! This procedure necessitates transmitting at a power level beyond specifications. Do not key the transmitter for more than a few seconds at a time.

- ❑ Remove the plug from J7605, and connect the ammeter in series with J7605 and the plug removed from it above (not to ground!!). Make sure the meter connections are solid enough to handle 30 Amperes, or use a clip-around meter clipped around the cable — in this case plugged into J7605.
- ❑ Tune the transceiver to the 7-MHz band, CW mode, and connect the 50-Ω Dummy Load to the main ANT jack.
- ❑ On the AF Unit, mark the precise position of RF power trimmer VR3016 (see photo below), then turn it fully clockwise (maximum), and set the RF PWR control on the front panel to 12 o'clock.

VR3016 Location on AF Unit



- ❑ Briefly key the transmitter and adjust the RF PWR control clockwise so that the ammeter shows 23 amperes, then return to receive.
- ❑ Place your tuning tool in VR7601, key the transmitter again, and adjust VR7601 so that the supply just shuts down (the current drops from 23 amperes to zero).
- ❑ Return VR3016 to its original position, and remove the test equipment and replace the plug in J7605, if necessary.

PA Unit (RF Power Amplifier)

- ❑ Select the SSB mode, and disconnect the microphone or turn the MIC gain fully CCW.

Driver Idling Current

- ❑ Connect the DC voltmeter across R7014. Depress the MOX button and adjust VR7001 for 270 ± 50 mV.

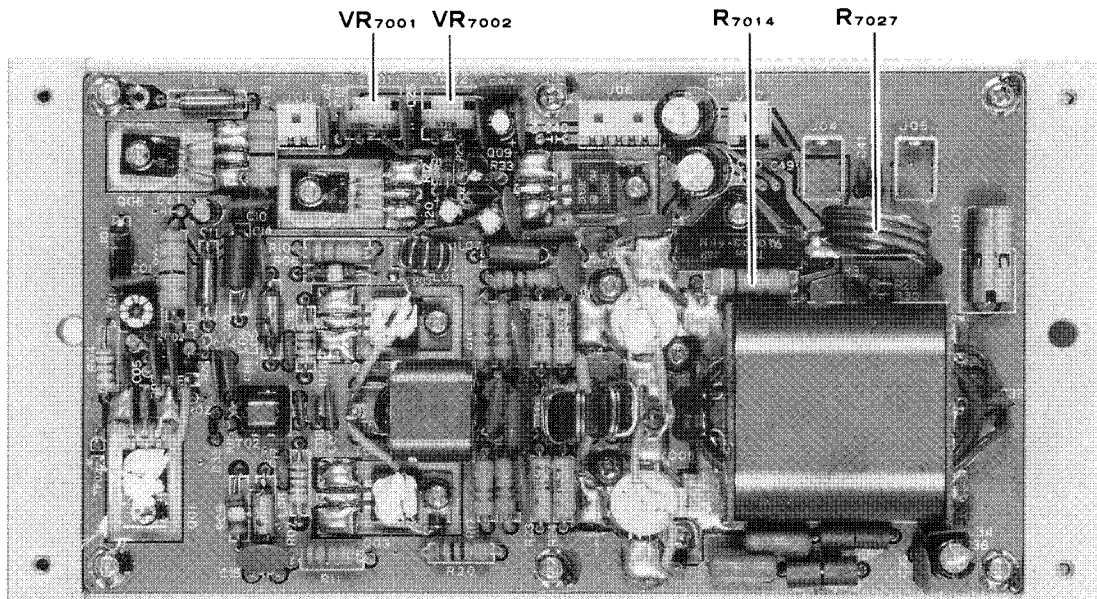
Final Idling Current

Connect the DC voltmeter across R7027. Depress the MOX button and adjust VR7002 for 6 ± 1 mV.

LPF Unit

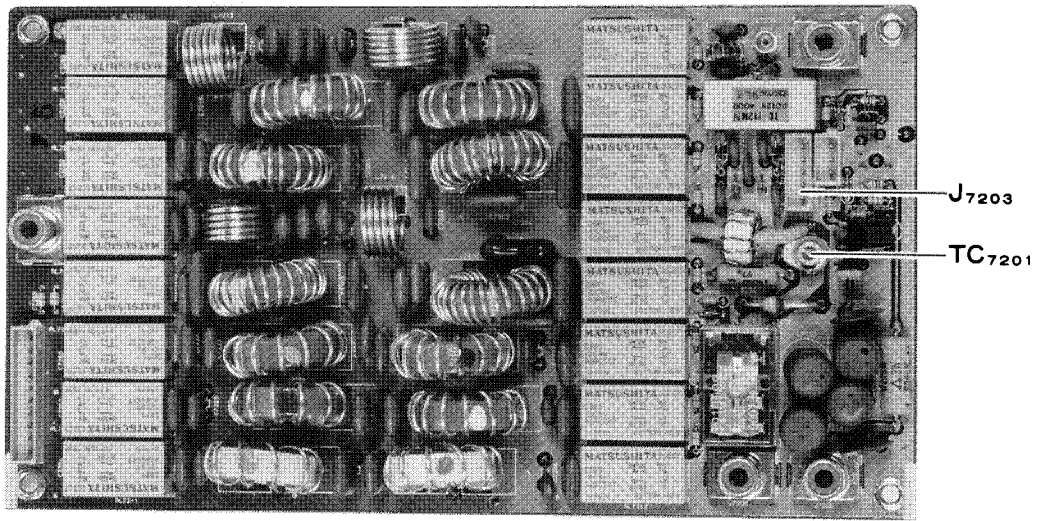
CM Coupler Balance

With the 50-Ω dummy load connected to the ANT jack, tune the transceiver to 14 MHz, and select the CW mode. Connect the negative lead of the DC voltmeter to pin 3 of J7023, and the positive lead to ground. Key the transmitter and adjust TC7201 for *minimum* on the voltmeter.



PA (RF Power Amp) Unit Test & Alignment Points

LPF Unit Test & Alignment Points



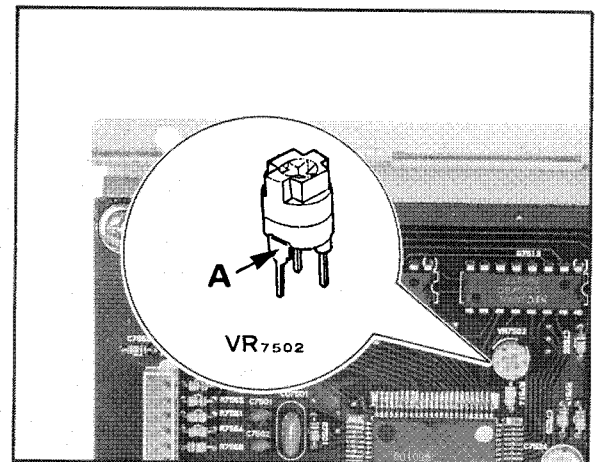
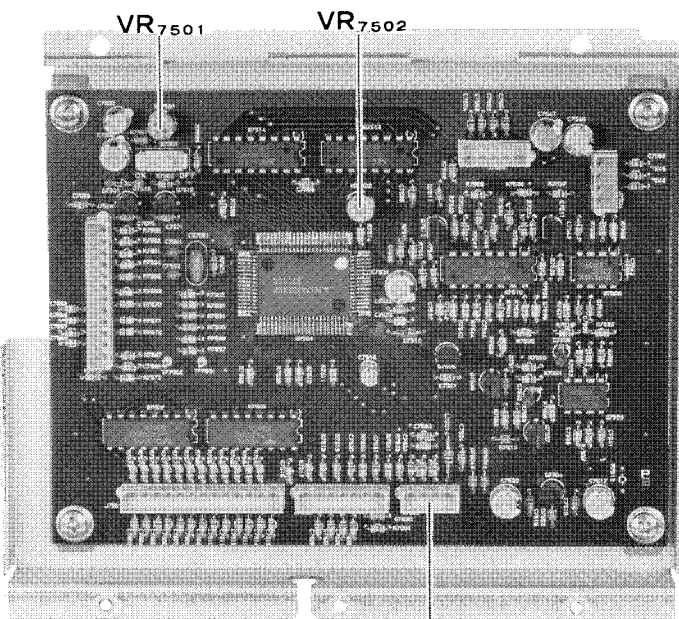
Tuner Unit

On the front panel, set the **METER** selector to **SWR**, and the **DRIVE** and **RF PWR** controls fully CW. Preset VR7501, VR7502, and TC7401 (on the Tuner Main Unit) to center.

Tuning Capacitor/Motor
(Mechanical Check, Setting & Adjustment)

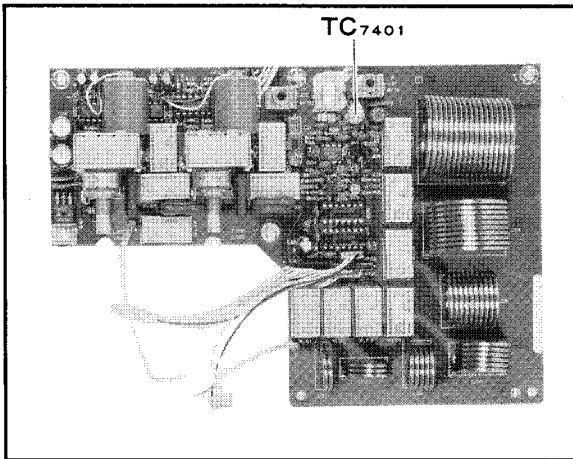
Loosen all setscrews in the shaft coupler, and turn the coupler by hand to confirm it moves freely (the motor and capacitor should not move). If the coupler binds, check the motor mounting position (it is soldered in place) and the capacitor mounting (screws).

- Turn the power switch off, and jump TP7501 to chassis ground.
- Turn the power switch on - the motor should rotate, and then stop.
- Set the capacitor to its maximum capacitance position (plates fully meshed) by hand, and tighten all shaft coupler setscrews, using care not to disturb the capacitor or motor positions. Turn the power off, and jumper TP7502 to chassis ground (along with TP7501). Turn the power back on. The motor should move 180°, and the capacitor should be then at its minimum capacitance position (fully unmeshed). Remove the grounding jumpers from TP7501 and TP7502.



J7503
Tuner Control Unit Test & Alignment Points

TC7401 Location on Tuner Main Unit



SWR Meter Calibration

- With the **METER** selector set to the **SWR** position, the antenna tuner OFF, and no connection to the **ANT** jack, tune the transceiver to 1.5 MHz, CW mode. Press the **MOX** button and adjust VR7501 for full scale meter deflection.

Tuner Impedance

- Connect the 50-Ω dummy load and wattmeter to J7403 (the output of the Tuner Main Unit), and connect J7402 (RF IN) to J7206 (LPF OUT). Select CW mode.
- Connect the DC voltmeter between pin-1 ("I") and 2 ("V") of J7507 (either polarity).
- Press the **TUNER** and **MOX** buttons and adjust the **RF PWR** control for 20 watts output, and then adjust TC7401 if necessary, for meter indication within 0 ± 0.01 V.

- While still transmitting, move the DC voltmeter to pin-3 ("C") and 4 ("L") of J7507 (either polarity), and adjust VR7501, if necessary, for meter indication within 0 ± 0.01 V.

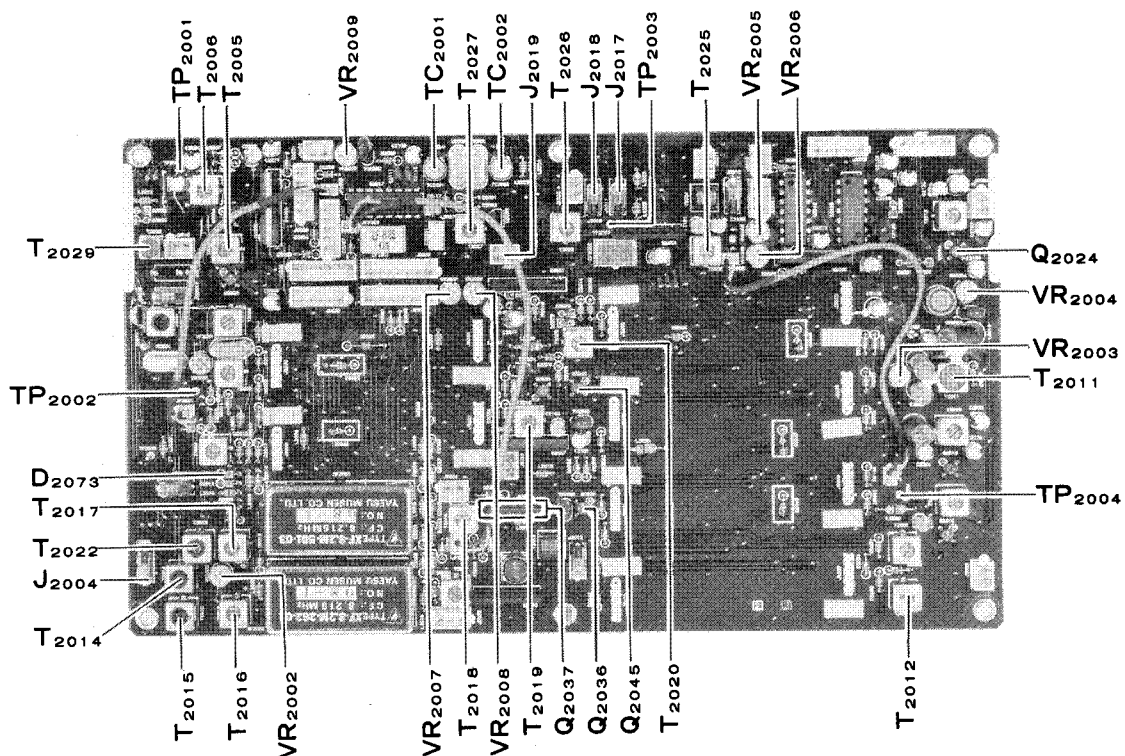
IF Unit

Notch Filter Oscillator

- With the **NOTCH** button OFF and the **NOTCH** control centered, preset TC2001 to center. Connect the DC voltmeter to pin 2 of J2019 and confirm 3.8 ± 0.2 V on the voltmeter.
- Select the LSB mode, and connect the frequency counter to TP2003. Adjust T2027 for 12.2835 MHz on the counter (if this frequency cannot be obtained, adjust TC2001). Now select the USB mode, and adjust TC2002, if necessary, for $12.2805 \text{ MHz} \pm 30 \text{ Hz}$ on the counter.
- Return to LSB mode, set the **NOTCH** control fully CCW, and connect the RF millivoltmeter to TP2003. Adjust T2026 for peak (at least 700 mV_{rms}) on the meter.

4th Local Amplifier Level

- In the LSB mode, set the **NOTCH** control to the 12-o'clock position, and connect the RF millivoltmeter to TP2004. Adjust T2025 for peak (at least 380 mV_{rms}) on the meter.



4th LO Premix 12.635-MHz BPF Level Check

Connect the RF millivoltmeter to J2017 (without removing the plug) and confirm at least 85 mV_{rms}.

4th LO Premix 12.28-MHz VCXO Level Check

Connect the RF millivoltmeter to J2018 (without removing the plug) and confirm at least 500 mV_{rms}.

2nd Local Amplifier Level

Connect the RF millivoltmeter to TP2002 and adjust T2022 for peak (at least 400 mV_{rms}).

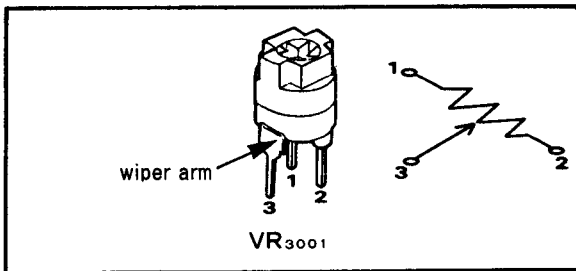
AF Unit

BFO PLL

Connect the DC voltmeter to TP3003 and adjust TC3001 for 5.0 ± 0.2 V on the meter.

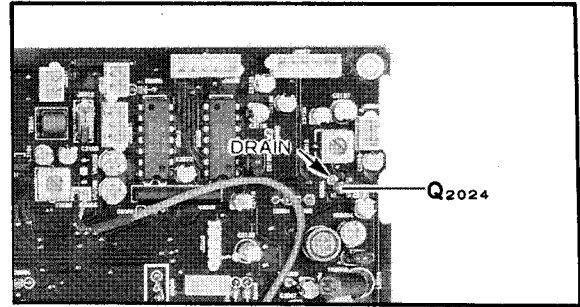
Receiver BFO

Select the LSB mode, and set the **NOTCH** control fully CCW. Connect the RF millivoltmeter to the wiper arm (center contact) of VR3001 and adjust T3001 for maximum (at least 480 mV_{rms}).



SSB Carrier Balance

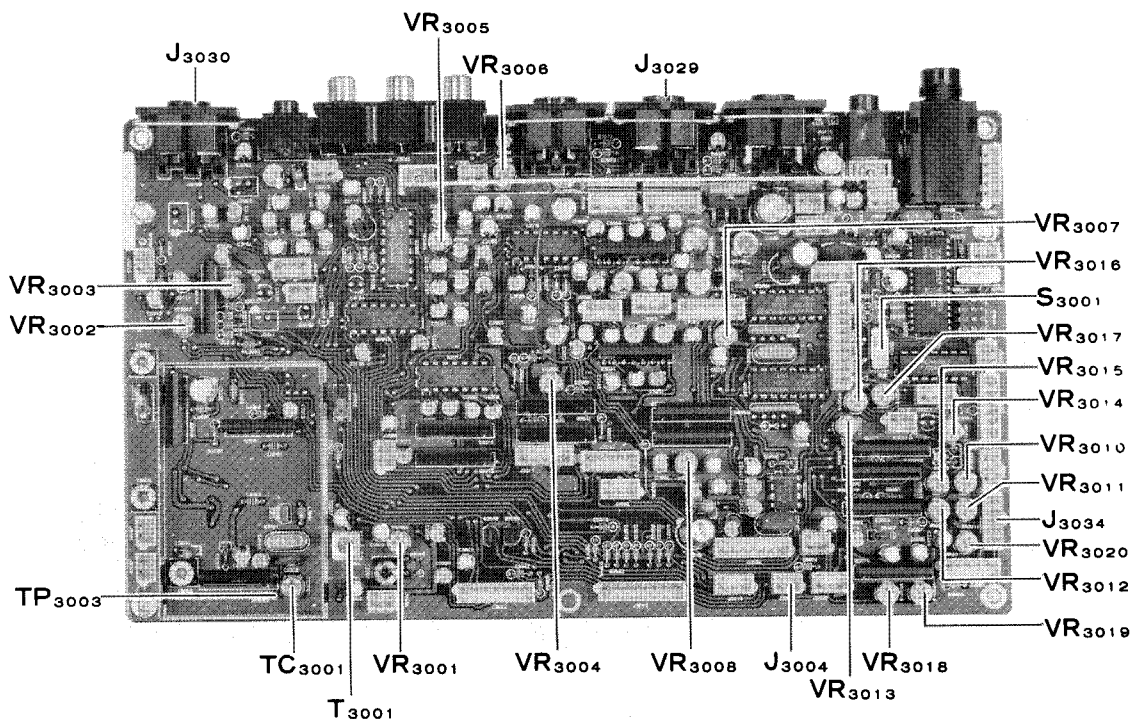
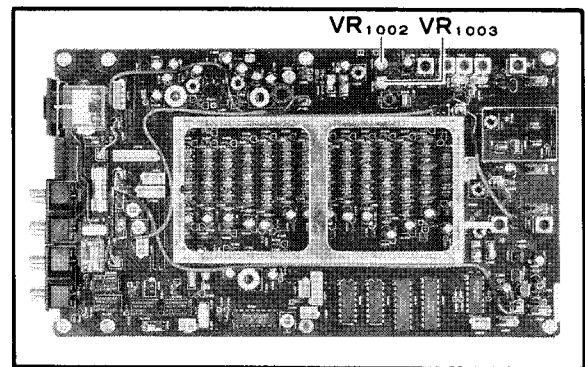
Connect the RF millivoltmeter to the drain of Q2024 and adjust VR3001 for minimum voltage.



1st Mixer Balance

With LSB mode selected, tune the transceiver to the heterodyne at 655 kHz, and adjust VR1002 and VR1003 on the RF Unit for minimum heterodyne level (see below).

Mixer Balance Trimmer Locations on RF Unit



AF Unit: Receiver Test & Alignment Points

Main Rx RF & IF Interstage Transformers

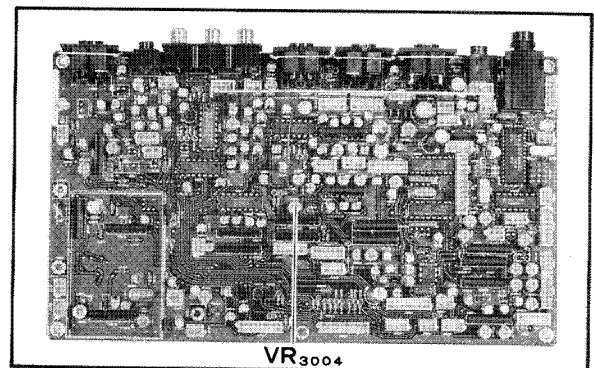
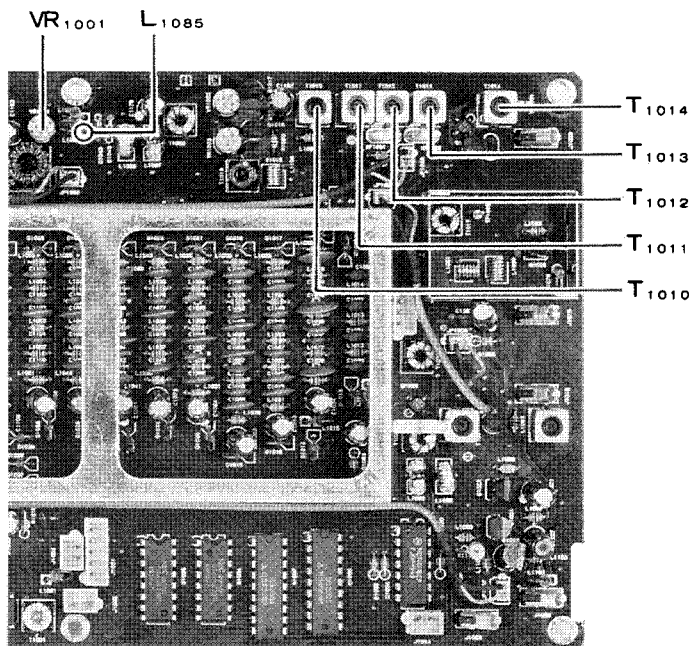
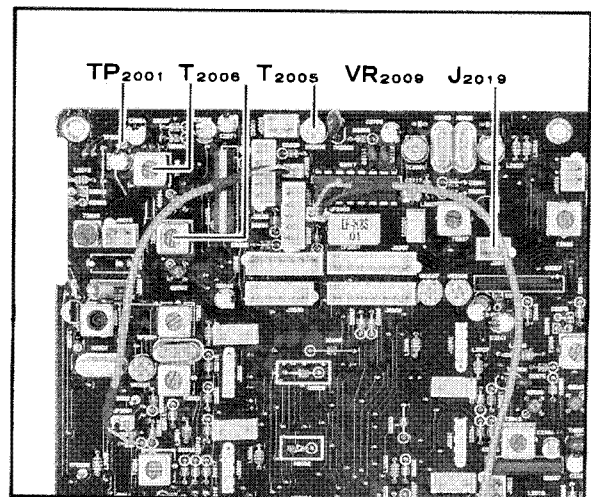
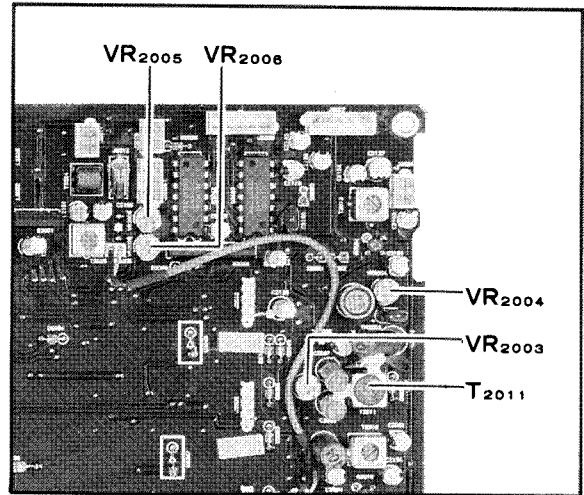
With the RF signal generator connected to the main ANT jack, inject 80 dBμ at 14.2 MHz. Tune the transceiver to the signal, USB mode, and adjust T1010 ~ T1014 on the RF Unit for maximum S-meter deflection. Then adjust T2001 ~ T2004, T2007 ~ T2010, T2013 and T2030 for maximum deflection. Reduce the injection level, if necessary, to keep the S-meter near mid-scale.

RF AGC

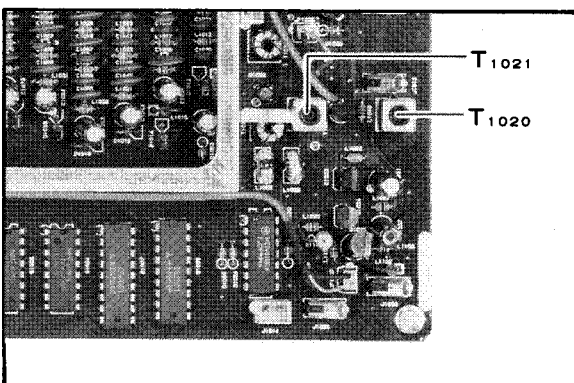
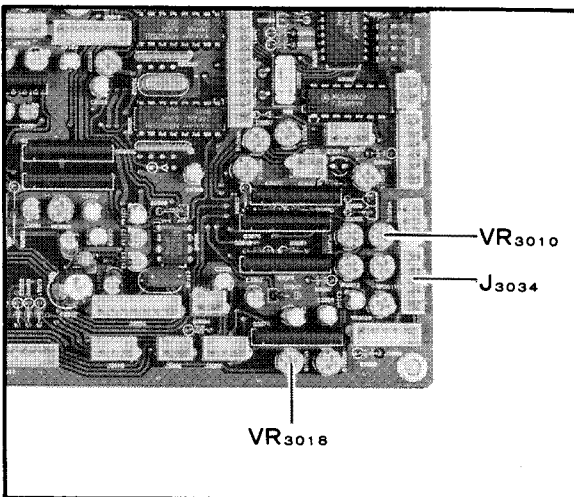
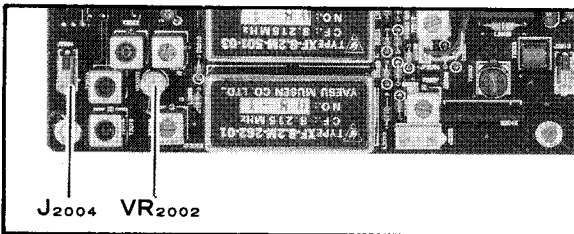
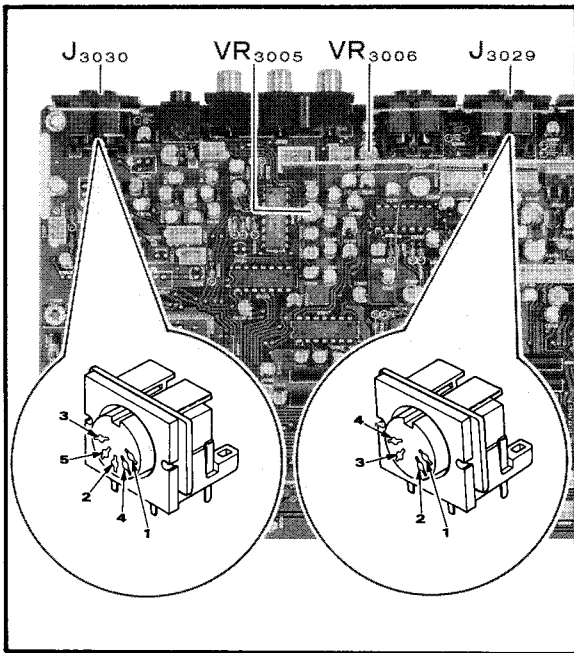
With the RF signal generator and transceiver set up as in the previous procedure, connect the DC voltmeter to L1085 and adjust VR1001 for 0.7 ± 0.1 V.

S-Meter Calibration & IF Gain

- With the same signal generator and transceiver setup as above, reduce the injection level to nil and adjust VR2006 just to the point where the S-meter begins to deflect with the RF gain control fully clockwise.
- Turn the RF gain fully counterclockwise, and adjust VR2005 for S9 +60 (full scale) on the S-meter.
- Return the RF gain fully clockwise, set the injection level to 8 dBμ and adjust VR2004 for S-1 deflection on the S-meter. Increase the injection to 100 dBμ and adjust VR2005 (again) for S9 +60 (full scale) on the S-meter.



RF Unit: Receiver Alignment Points



Main Rx Noise Blanker

With the transceiver tuned to 14.2 MHz, press the **NB** button. Inject 20 dB μ at 14.2 MHz to the main **ANT** jack, and connect the DC voltmeter to TP2001. Adjust T2005 and T2006 for minimum voltage on the meter.

IF Notch

Connect the DC voltmeter to pin 2 of J2019 and adjust the **NOTCH** control for 3.8 V. Inject 40 dB μ at 14.20000 MHz to the main **ANT** jack, and tune the transceiver to 14.20150 MHz, USB mode (so that a 1500-Hz tone is heard). Press the **NOTCH** button and adjust VR2003 and T2011 for minimum S-meter deflection.

SSB Squelch Threshold

In the USB mode, with no signal at the **ANT** jack, set the **SQL** control to the 10-o'clock position, and adjust VR3004 so that the squelch just closes.

FM Squelch Threshold

In the FM mode, with no signal at the **ANT** jack, set the **SQL** control to the 9-o'clock position, and adjust VR2009 so that the squelch just closes.

RTTY & PKT Receiver AF Levels

In the RTTY-LSB mode, inject a 40-dB signal to the main **ANT** jack, and tune the transceiver for a 2.0-kHz heterodyne. Connect the 600- Ω resistor in parallel with the RF millivoltmeter between pin 2 of DIN jack J3029 and ground, and adjust VR3006 for 60 ± 10 mV_{rms}. Now select the PKT-LSB mode, move the RF millivoltmeter and resistor to pin 4 of DIN jack J3030 (and ground), and adjust VR3005 for 60 ± 10 mV_{rms} on the meter.

Transmitter

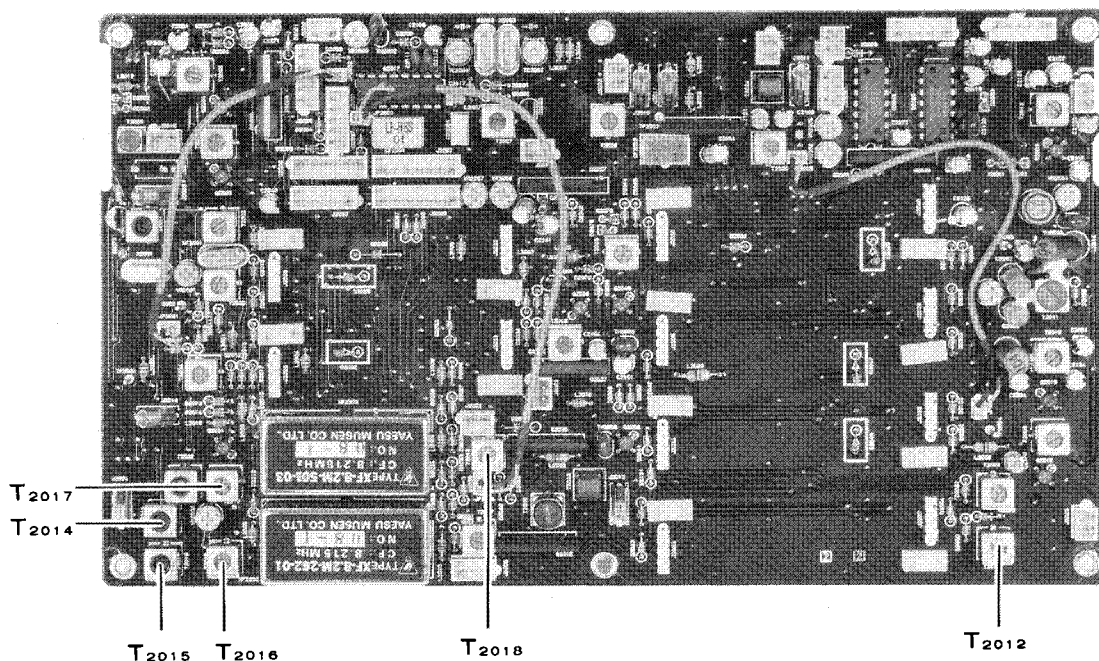
Connect the 50- Ω dummy load to the main **ANT** jack for all procedures.

Tx 2nd Mixer

Set the transceiver to 21 MHz, CW mode, and connect the spectrum analyzer to J2004. Key the transmitter and adjust VR2002 to minimize the 2nd local spurious (± 8.2 MHz from the transceiver frequency).

IC & ALC Meter Zero Set

Tune the transceiver to 14.0 MHz, USB mode. Set the **MIC** control fully CCW (minimum), and



IF Unit: Transmitter Test & Alignment Points

set the **METER** selector to the **IC** position. Key the transmitter and adjust VR3010 so the meter deflects to the S-1 marker (on the S-meter scale). Now move the **METER** selector to the **ALC** position, key the transmitter, and adjust VR3018 just to the point where the meter starts to deflect higher.

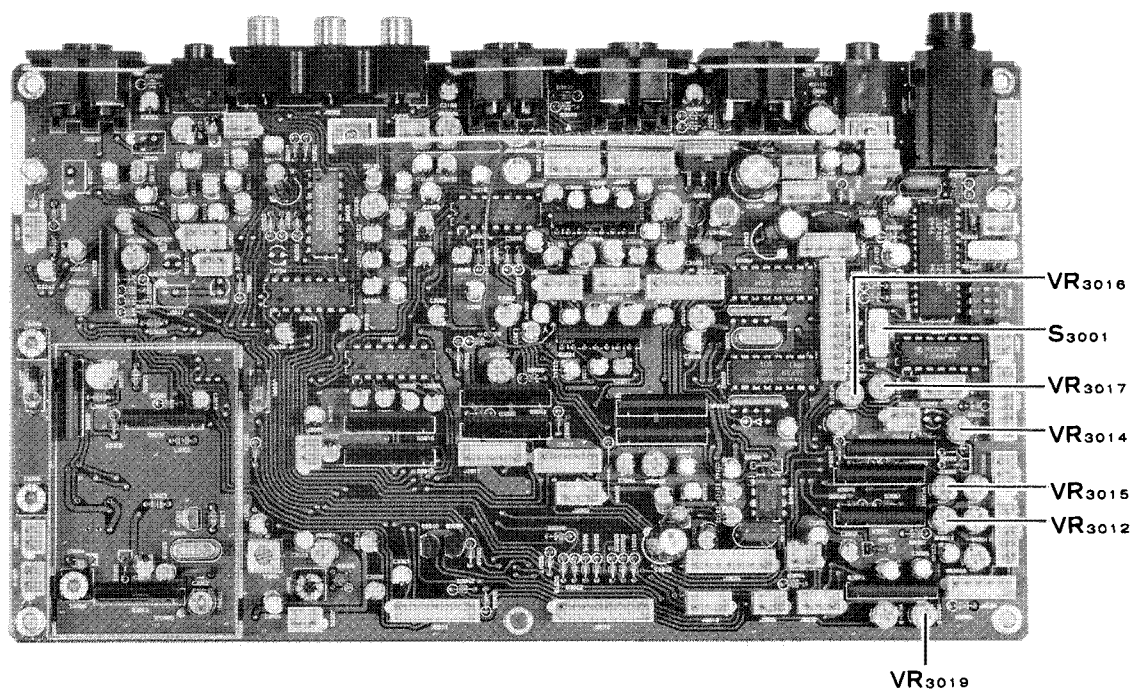
DRIVE control fully CW (maximum), and the **RF PWR** control fully CCW (minimum). In the CW mode, key the transmitter and adjust T1020, T1021, T2012 and T2014 ~ T2018 for maximum on the wattmeter.

Transmitter IF Interstage Transformers

With the inline wattmeter and 50-Ω dummy load connected to the main **ANT** jack, set the

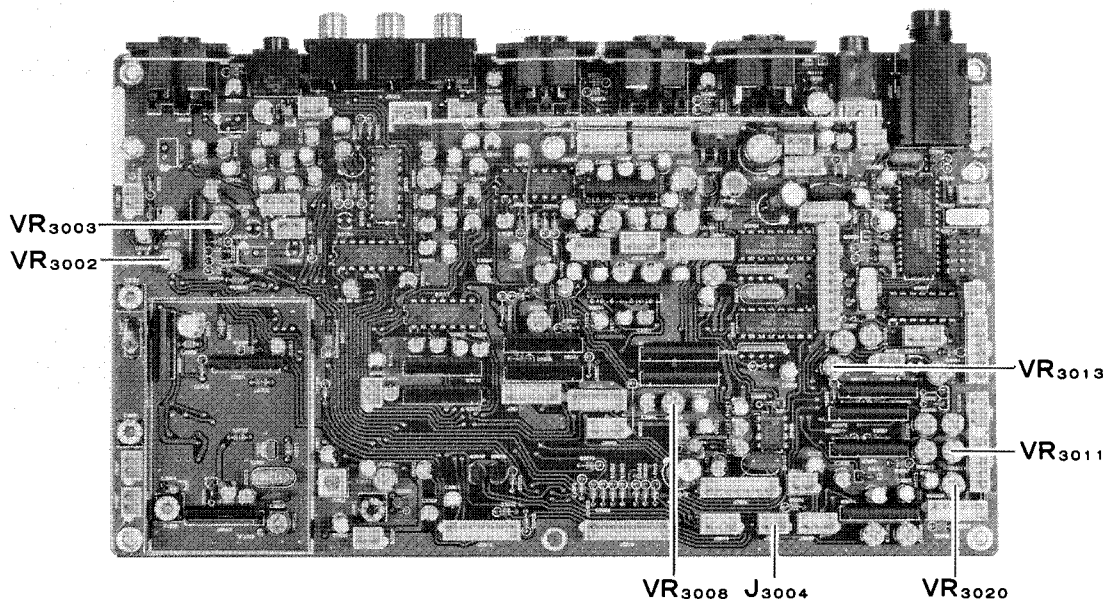
Overcurrent ALC

With the inline wattmeter and 50-Ω dummy load connected to the main **ANT** jack, preset VR3012, and VR3015 ~ VR3017 fully clockwise. Also set the **DRIVE** and **RF PWR** controls fully



AF Unit: Transmitter Test & Alignment Points

AF Unit: Transmitter Test & Alignment Points



clockwise, and tune the transceiver to 7 MHz, CW mode. Key the transmitter and adjust VR3012 for 250 watts on the wattmeter. Perform the following procedure and also SWR Turn-down to realign VR3016 and VR3015 (VR3017 requires alignment only in low power models).

Maximum RF Output Power Setting

Perform the previous procedure, then tune the transceiver to 10.499 MHz, key the transmitter, and adjust VR3016 for 210 ± 10 watts on the wattmeter.

ALC Meter Sensitivity

With the transceiver tuned to 14.2 MHz, USB mode, set the **METER** selector to **ALC**, and inject 3 mV at 1 kHz to pin 8 of the **MIC** jack with the AF signal generator. Adjust the **MIC** gain control to the point just before the meter begins to deflect, then increase AF injection to 9 mV, and adjust VR3019 so that the ALC meter deflects to the top edge of the ALC zone (S-9 on the S-meter scale).

PO Meter Calibration

With the inline wattmeter and 50-Ω dummy load connected to the main **ANT** jack, and the transceiver tuned to 14.2 MHz, CW mode, set the **METER** selector to the **PO** position. Key the transmitter and adjust VR3014 so that the PO meter indication matches the wattmeter with 200 watts output.

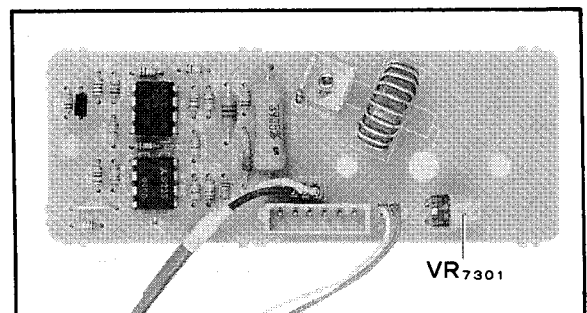
SWR Turndown

Connect the inline wattmeter and a 16.6-Ω dummy load (or three 50-Ωs in parallel) to the main **ANT** jack, and set the **DRIVE** and **RF PWR** controls fully CW (maximum). With the transceiver set to the CW mode, 14.0 MHz, key the transmitter and adjust VR3015 for 100 ± 5 watts on the wattmeter.

Protect Unit

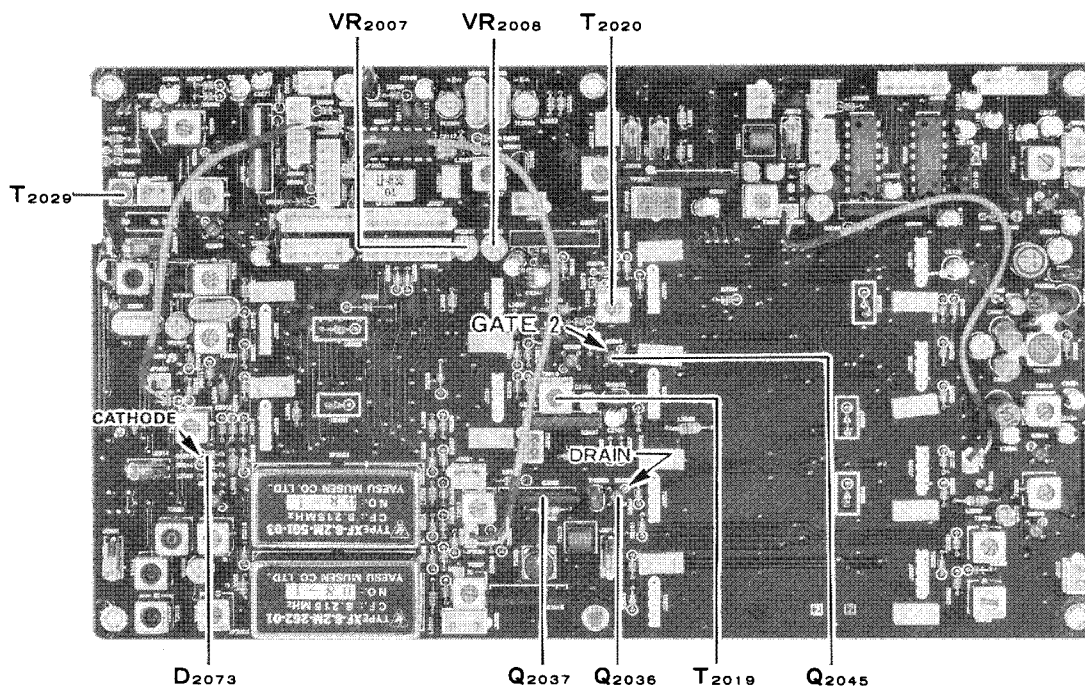
Remove the plug from J7207 on the LPF Unit, and connect the inline wattmeter and a 50-Ω dummy load in its place. With the **DRIVE** and **RF PWR** controls set to maximum, in the CW mode, key the transmitter and adjust VR7301 (on the Protect Unit) for 30 ± 10 watts on the wattmeter. Replace the plug in J7207.

VR7301 Location on Protect Unit



DRIVE Control

Set the **RF PWR** control fully CW (maximum), and connect the DC voltmeter to pin 2 of J3004 (on the AF Unit). Set the transceiver to the USB



IF Unit: Transmitter Test & Alignment Points

mode and adjust VR3013 for 3.6 ± 0.2 V on the meter.

VCC Meter Calibration

Set the **METER** selector to the **VCC** position. In the USB mode, with no microphone connected, press the **MOX** button and adjust VR3020 so that the transceiver's meter deflects to the 30-volt mark on the VCC scale.

IC Meter Calibration

Set the transceiver to transmit 100 watts in CW mode at 14 MHz. Set the **METER** selector to the **IC** position, and adjust VR3011 so that the transceiver's meter deflects to the 9-amp mark on the IC scale.

SSB Modulator Balance

With the transceiver tuned to 14.2 MHz, USB mode, connect the 50-dB attenuator and spectrum analyzer (or 50- Ω dummy load and sampling coupler) to the main **ANT** jack. Alternatively, a separate receiver can be used, with the transceiver connected to the dummy load. Set the **MIC** control fully CCW (minimum), and adjust VR3002 for minimum power output (carrier leakage) as indicated on the analyzer or external receiver.

AM Carrier Level

With the transceiver tuned to 14.2 MHz, CW mode, and the wattmeter and 50- Ω dummy load connected to the main **ANT** jack, set the **RF PWR**

control fully clockwise. Key the transmitter and adjust the **DRIVE** control for 80 watts output. Now select the AM mode, and adjust VR3003 for 20 watts output.

RTTY Tx AFSK Tone Level

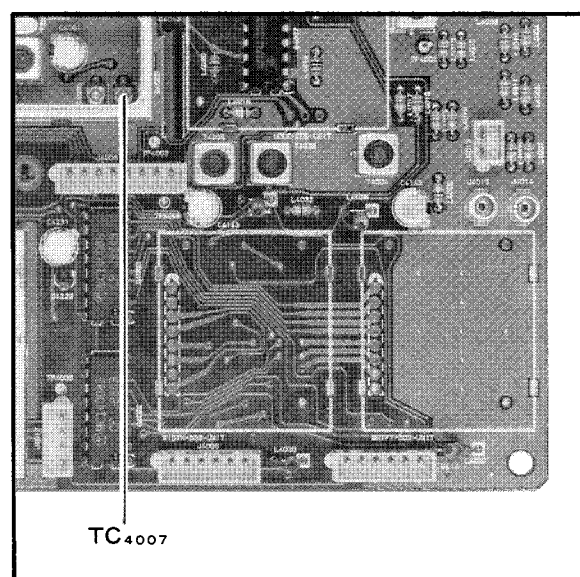
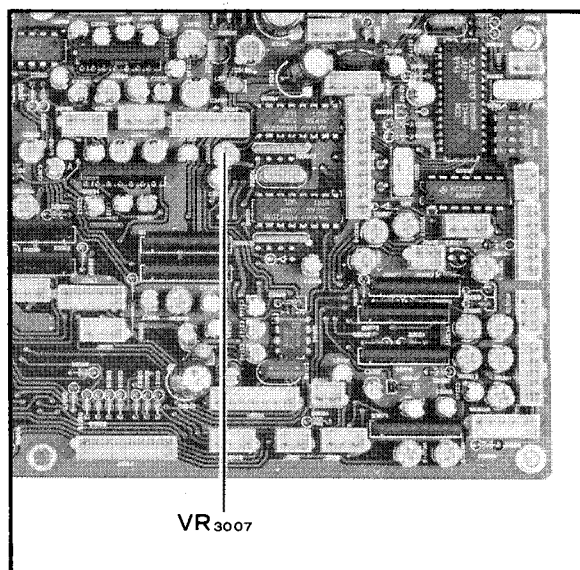
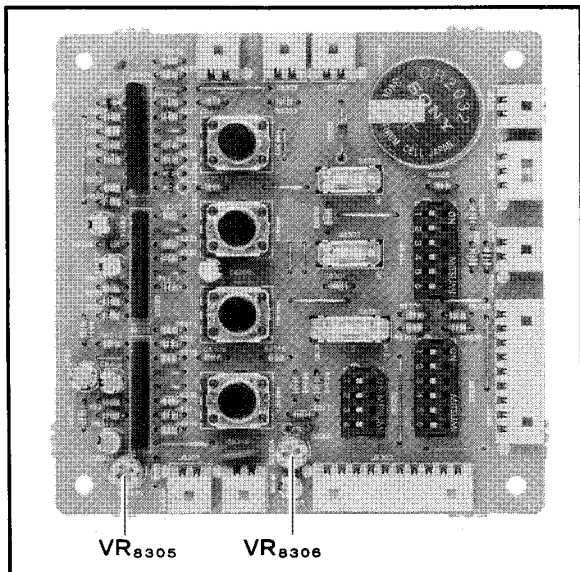
With the transceiver tuned to 14.2 MHz, RTTY-LSB mode, and the wattmeter and 50- Ω dummy load connected to the main **ANT** jack, set the **RF PWR** control fully CW (maximum), and the **MIC** control to 12-o'clock. Set the **METER** selector to **ALC**, key the transmitter, and adjust VR3008 so that the meter indicates at the top edge of the blue ALC zone (S-9 on the S-meter scale).

Speech Processor

Set the **DRIVE** control to maximum, **PROC** and **MIC** controls to their 9-o'clock positions, and select the USB mode on 14.2 MHz. Press the **PROC** button to activate the speech processor. Inject 1 mV audio at 1 kHz to pin 8 of the **MIC** jack with the AF signal generator, and connect the RF millivoltmeter to the drain of Q2036 on the IF Unit. Key the transmitter and adjust T2019 for maximum on the voltmeter. If the voltage does not change, reduce the **MIC** gain and **PROC** settings a little, and readjust T2019.

COMP Meter Calibration

- With the same test equipment setup as in the previous step, set the **PROC** control to the 3-o'clock position, and set the **METER** selector to the **COMP** position.



- Connect the DC voltmeter to gate 2 of Q2045, key the transmitter, and adjust T2020 for minimum voltmeter deflection.
- Connect the RF millivoltmeter to pin 6 of Q2037, key the transmitter, and adjust the **MIC** control for 70 mV_{rms} on the meter.
- Increase the AF injection to 2 mV, and adjust VR2008 so that the transceiver's meter just begins to deflect.
- Increase the AF injection to 20 mV, and adjust VR2007 so that the transceiver's meter deflects to the 20-dB mark on the **COMP** scale.

FM Carrier Frequency

Select the FM mode. Connect the frequency counter to TP2006 (or the cathode of D2073 in sets with serial numbers below 0030000). Key the transmitter and, with no modulation, adjust T2029 for 8.2150 MHz \pm 50 Hz on the counter.

FM Deviation

Connect the attenuator and linear detector to the main **ANT** jack. Tune to 29.2 MHz, FM mode, and set the **FM MIC GAIN** (inside the top access panel) fully CW (maximum). Inject 10 mV at 1 kHz from the AF generator to pin 8 of the **MIC** jack, key the transmitter, and adjust VR8305 (on the SW-A Unit) for \pm 2.3-kHz deviation (\pm 100 Hz).

88.5-Hz Tone Encoder

Starting with the same test equipment and transceiver setup as the previous step, disconnect the AF generator, and press the **RPT** button. Key the transmitter and adjust VR8306 (on the SW-A Unit) for \pm 0.5-kHz deviation (\pm 100 Hz) on the CTCSS tone.

Key Beeper Level Preset

Preset VR3007 to the 10-o'clock position.

Transmitter Carrier Point

Connect the AF signal generator to pin 8 of the **MIC** jack, and set the transceiver to USB mode. Set the **MIC** and **RF PWR** controls fully CW (maximum). Adjust the AF injection frequency for maximum output power, and then adjust the injection level for 80 watts output. Tune the AF generator to 360 Hz, and adjust TC4006 for 20 watts output. Now select the LSB mode, and adjust TC4007 for 20 watts output. Retune the AF generator to 2500 Hz, and confirm at least 20 watts output in both LSB and USB modes.

Notes

Modifications

This is a compendium of all modifications generated as a result of Engineering Change Notices (*Henko Tsu-chi*) which affect performance of the FT-1000, between initial production and the end of October, 1990. The modifications are arranged in sections according to which production lots are affected (earliest first). Where a part is added or replaced, the Yaesu Part Number of the new part is provided in parentheses.

The following modifications have been adopted in production lot 4 (all sets with serial numbers above XX0040000). Earlier sets should be modified in the field.

Elimination of Marker Spurious (RX-2 Unit)

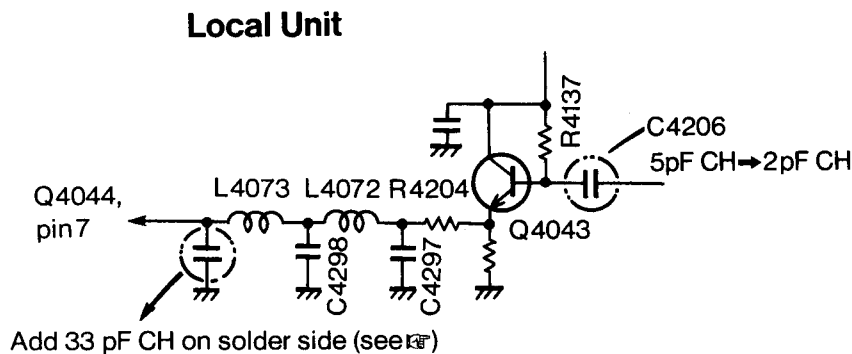
- Replace 0.001- μ F B 50-WV chip ceramic capacitor C6144 with 22 pF CH (K22170219).
- Replace 10-pF CH 50-WV chip ceramic capacitor C6199 with 33 pF CH (K22170223).

Sub Rx MCF Selectivity (RX-2 Unit)

- Replace 27-pF CH 50-WV chip ceramic capacitor C6014 with 33 pF CH (K22170223).
- Replace 3-pF CJ 50-WV chip ceramic capacitor C6016 with 5 pF CH (K22170206).

Sub Rx PLL Sub-Loop Unlock When Hot

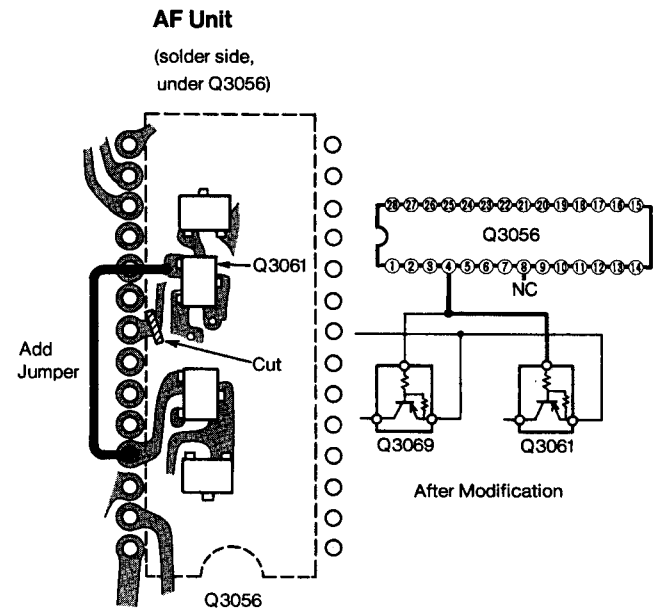
- On the RX-2 Unit, replace 1-kilohm $\frac{1}{10}$ -W chip resistor R6217 with 680 ohms (J24205681).
- On the RX-2 Unit, replace 22-pF CH 50-WV chip ceramic capacitor C6168 with 33 pF CH (K2217-0223).
- On the RX-2 Unit, replace 1-kilohm $\frac{1}{10}$ -W chip resistor R6241 with 680 ohms (J24205681).



Semi Break-In CW Keyer Improvement

This modification can improve the formation of dots during non-QSK transmission with the internal keyer.

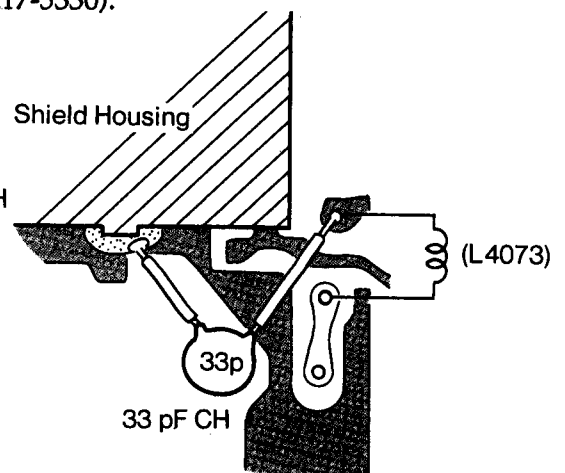
- Referring to the diagrams below, cut the foil trace between pin 8 of type MB8854 IC Q3056 and the base of FN1A4P transistor Q3061 on the AF Unit.
- Jumper the base of Q3061 to pin 4 of Q3056.



Cross Spurious Around 14.2 MHz

Modify the Local Unit as follows, and as shown in the diagrams below.

- Replace 5-pF CH 50-WV chip ceramic capacitor C4206 with 2 pF CK (K22170203).
- Add C4307, a 33-pF CH ceramic capacitor (K0217-5330).

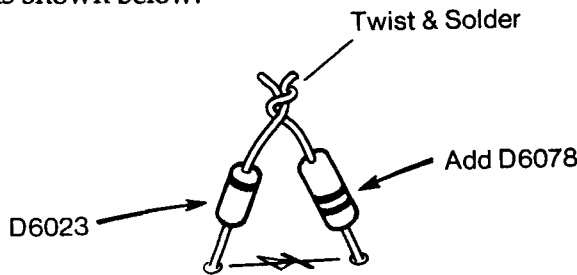


Local Unit (solder side)

Sub Rx Noise Blanker Performance

This modification improves the stability of the noise blanker amplifier on the RX-2 Unit, which may otherwise close the NB gate spontaneously.

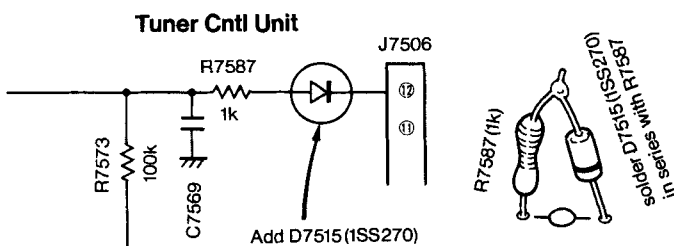
- ❑ Remove 15-kilohm 1/8-W carbon film resistor R6386, which is soldered in parallel with T6018 on the solder side of the RX-2 Unit.
- ❑ Replace 8-pf CH 50-WV chip ceramic capacitor C6107 with 15 pF CH (K22170215).
- ❑ Add D6078, a type 1SS106 Schottky diode (G209-0244) in series with 1SS270 diode D6023, as shown below.



Rx-2 Unit

Malfunction of Microprocessor Reset

- ❑ When the backup voltage is switched off for the antenna tuner, the reset function does not work, and the display remains blank. To allow the reset function to work properly, add D7515, a type 1SS270 diode (G2090408), as shown below.



The following modifications have been adopted in production lot 5 (all sets with serial numbers above XX0050000). Earlier sets should be modified in the field.

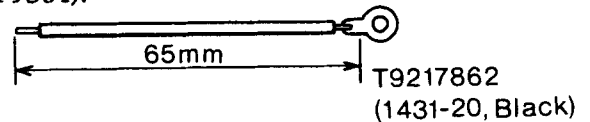
Improvement of Sub Rx Low Band S/N

- ❑ Replace 27-pF CH 50-WV ceramic capacitor C6007 with 18-pF CH (K02175180).
- ❑ Replace each of coils L6062 and L6063, type LAP02TAR47K, with a type LAP02TAR68K (L1790044, two required).

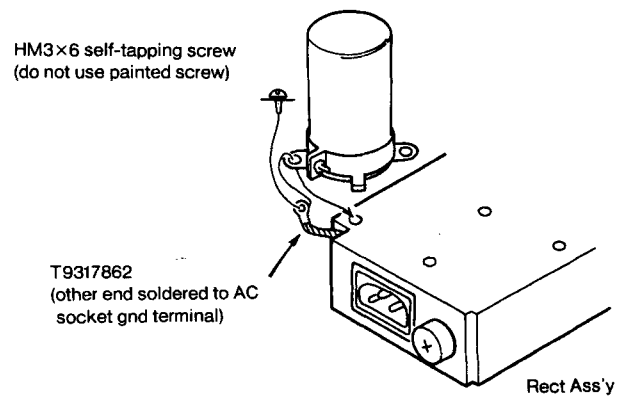
Suppression of Spurious from the AC Line

Change the location of the AC ground connection for the AC socket (J9301) on the Rect Unit as follows.

- ❑ Cut 180-mm grounding cable JP9304 (CW-ASSY T9317862) to 65 mm, as shown in the drawing below (above serial number XX0100000, a 65-mm cable (T9317869) is used at JP9304).

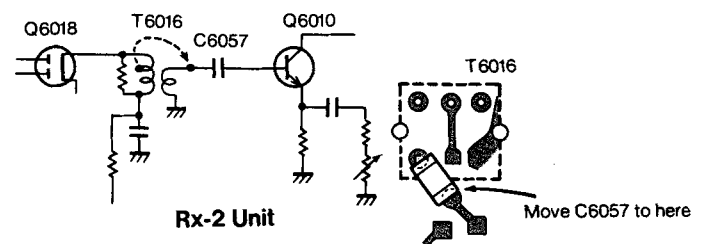


- ❑ Referring to the following drawing, fasten the terminal on the grounding cable under the mounting screw of 18000-μF electrolytic capacitor C9303.



Improving Sub Rx S/N (1)

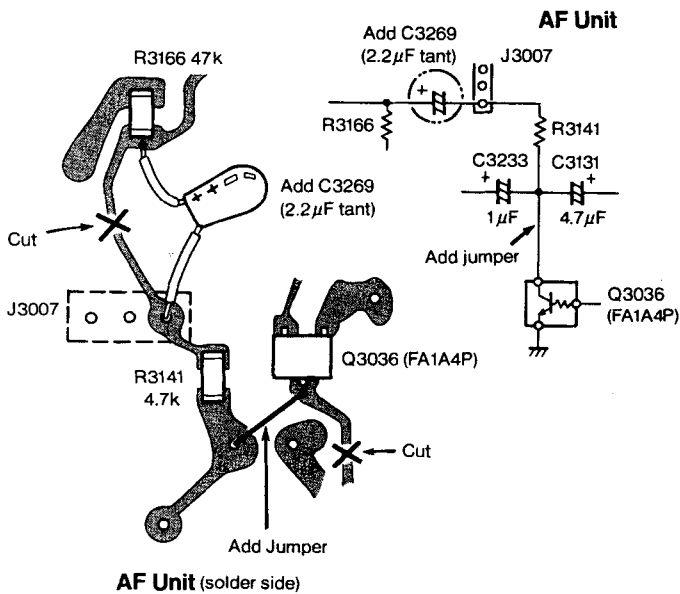
- ❑ Replace 2-kilohm 1/10-W chip resistor R6023 with 1 kilohm (J24205102).
- ❑ Replace 15-kilohm 1/10-W chip resistor R6387 with 47 kilohms (J24205473).
- ❑ Replace 10-kilohm 1/10-W chip resistor R6045 with 6.8 kilohms (J24205682).
- ❑ Replace 100-pF CH chip ceramic capacitor C6049 with 0.047 μF F (K22171008).
- ❑ Relocate the end of chip capacitor C6057 from the primary tap to the secondary of T6016, as shown in the following drawing.



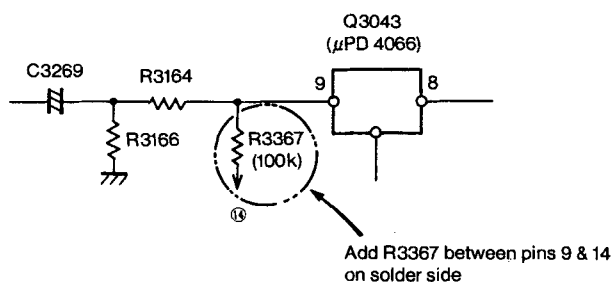
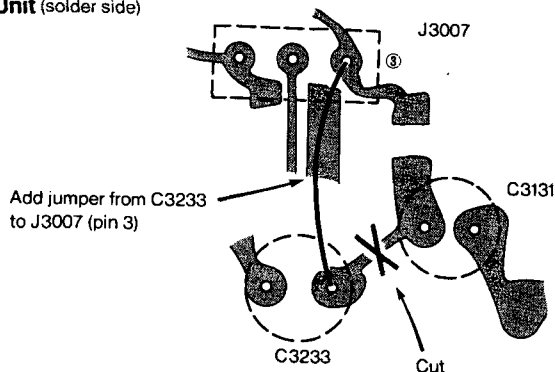
(See also "Improving Sub Receiver S/N (2)", under modifications adopted from Lot 8).

VOX Malfunction Caused by Mode Switching

- Referring to the drawings below, on the AF Unit, cut the two traces and add the two jumpers indicated. Also add C3269, a 2.2- μ F 35-WV tantalum capacitor (K70167225), and R3367, a 100-kilohm $\frac{1}{6}$ -W carbon film resistor (J01225104).



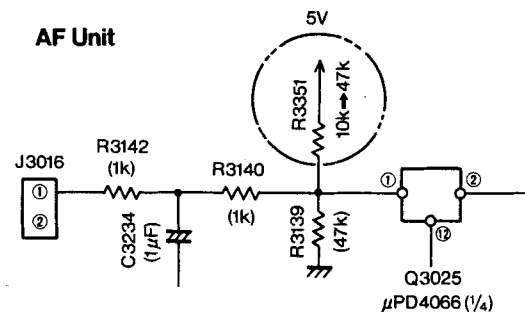
AF Unit (solder side)



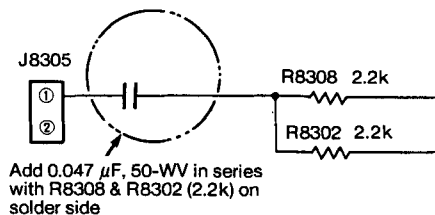
The following modifications have been adopted in production lot 6 (all sets with serial numbers above XX0060000). Earlier sets should be modified in the field.

Preventing VOX Malfunction When Adjusting VOX Gain

- On the AF Unit, replace 10-kilohm $\frac{1}{10}$ -W chip resistor R3351 with 47 kilohms (J24205473).
- On the SW A Unit, add C8319, a 0.047- μ F 50-WV ceramic capacitor (K28179002), as shown in the diagrams below.



SW-A Unit



Preventing RX ANT Relay Failure (1)

When attempting to match a very short antenna or an antenna with a very short feedline (approx. 1-meter), induced transmitting RF can cause the receiving antenna relay to malfunction. Modify the LPF Unit as follows. Refer to the drawings on the next page.

- Replace type BA1A4M-T transistor Q7203 with type BN1A4M (G3090081).
- Replace 10-kilohm $\frac{1}{6}$ -W carbon film resistor R7203 with 2 kilohms (J07225222).
- Remove type 1SS270TJ silicon diode D7207.
- Remove 10-kilohm $\frac{1}{6}$ -W carbon film resistor R7208.
- Add C7286, a 0.01- μ F 50-WV ceramic capacitor (K28129001).

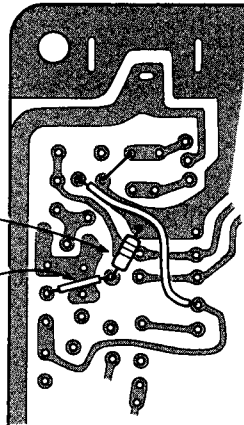
(see also "Preventing RX ANT Relay Failure (2)", adopted from lot 10)

LPF Unit (solder side)

Add three jumpers

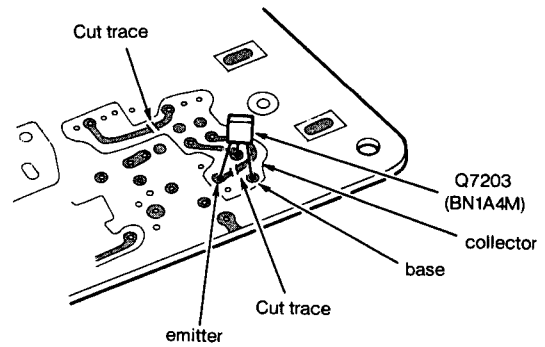
Add C7286 (0.01 μ F)
(keep leads short.)

keep this jumper short

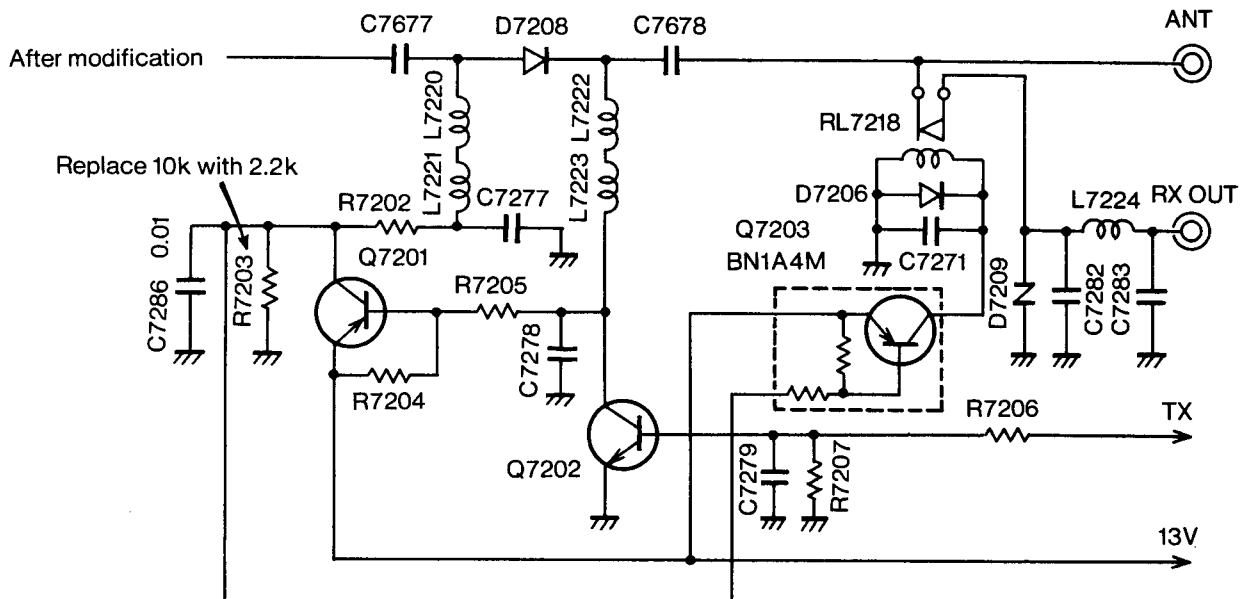
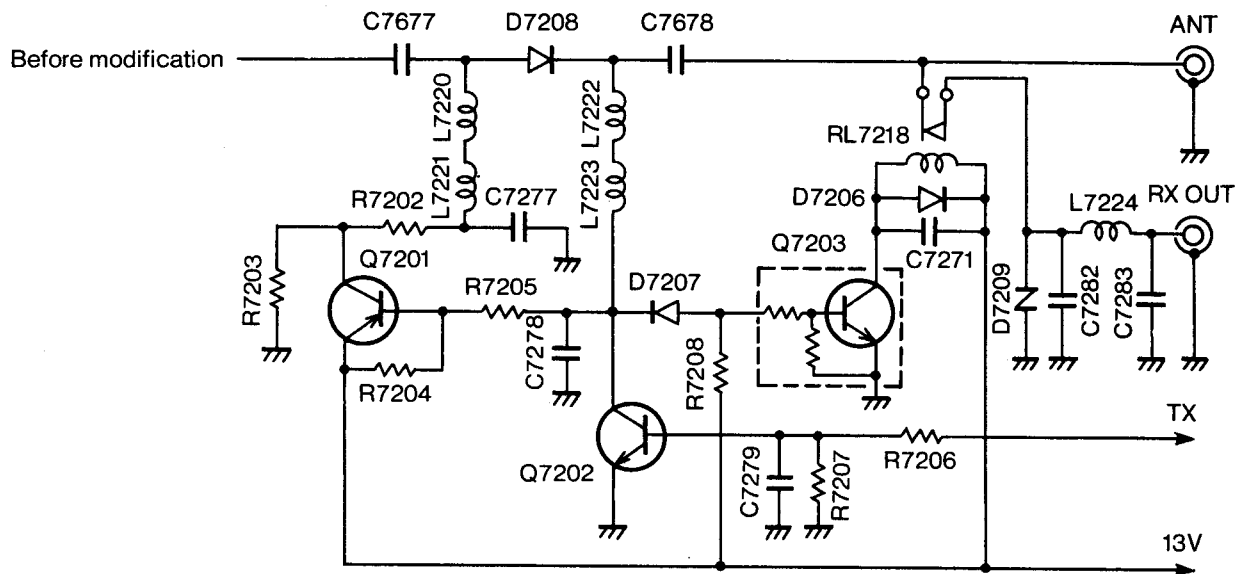


LPF Unit

(component side)



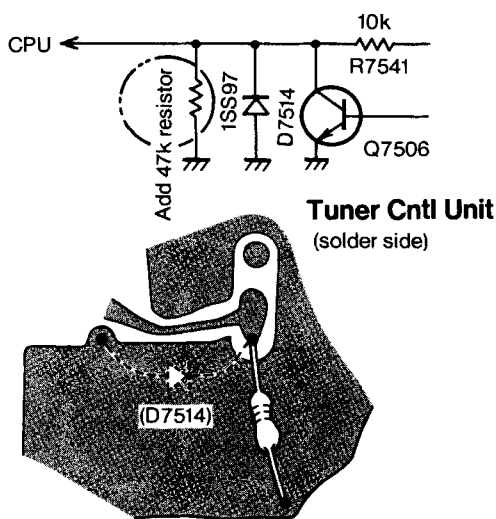
Add Q7203 (BN1A4M) using pads of R7208 and Q7203. Keep leads as short as possible.



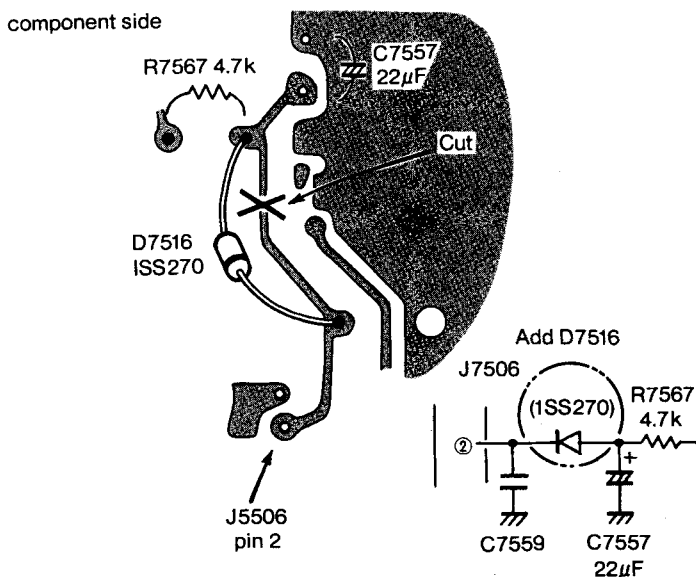
The following modification has been adopted in production lot 7 (all sets with serial numbers above XX0070000). Earlier sets should be modified in the field.

Antenna Tuner Performance Improvement

- On the Tuner Main Unit, replace type MC7809CT IC Q7401 with type MC7808CT (G1090945).
- On the Tuner Control Unit, add R7593, a 47-kilohm 1/10-W carbon film resistor (J01225473) on the solder side, between the cathode of 1SS97 diode D7514 and ground, as shown in the following drawing.



- Also on the Tuner Control Unit, cut the foil trace between R7567 and C7559, and add D7516, a type 1SS270 diode (G2090408) across the cut, as shown below.



The following modifications have been adopted in production lot 8 (all sets with serial numbers above XX0080000). Earlier sets should be modified in the field.

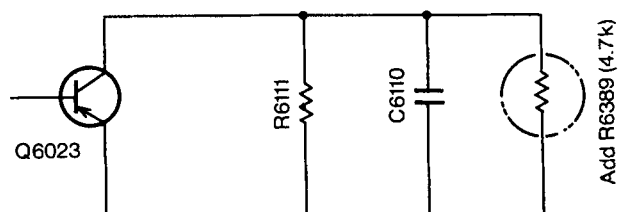
Improving Sub Rx S/N (2)

- To improve the sub receiver S/N around 28 MHz,
- Replace coil T6002 on the RX-2 Unit with part number L0020278.

Main Receiver Noise Blanker Improvement

- On the IF Unit, replace 15-kilohm 1/10-W chip resistor R2025 with 68 kilohms (J24205683).
- Replace 1-µF, 50-WV electrolytic capacitor C2040 with 0.33 µF (K46170028).
- On the RX-2 Unit, add R6389, a 4.7-kilohm 1/10-W chip resistor (J24205472) in parallel with 0.001-µF chip capacitor C6110 (from the collector of 2SA1162GR transistor Q6023 to ground), as shown in the following diagram.

RX-2 Unit



VOX Delay Adjustment

- On the SW-A Unit, replace 7-µF, 35-WV electrolytic capacitor C8309 with 3 µF, 50 V (K46170032).

Notch Adjustment Improvement

- On the IF Unit replace 22-pF, 50-WV CH chip ceramic capacitor C2205 with 33 pF, 50 V CH (K22170223).

Power Meter Adjustment Improvement

- On the AF Unit, replace 6.8-kilohm 1/10-W chip resistor R3283 with 7 kilohms (J24205472).

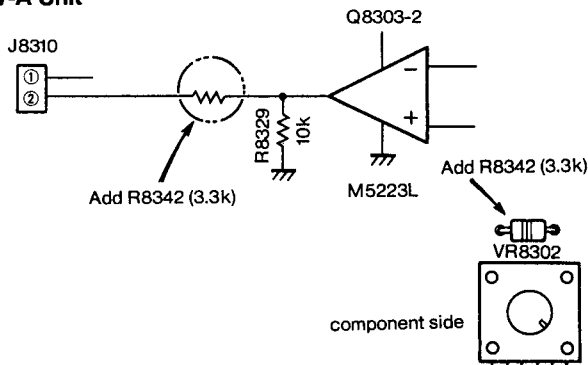
Improvement of SSB Modulation & Receiver Audio Characteristics

- ❑ Replace CFJ455K15 (H3900398) XF-G crystal filter CF2971 with CFJ455K13 (H3900290).
- ❑ Replace CFJ455K14 crystal filter CF6002 on the RX-2 Unit, with type CFJ455K15 (H3900398, removed in the last step).

Elimination of VOX Switching Noise on Transmissions

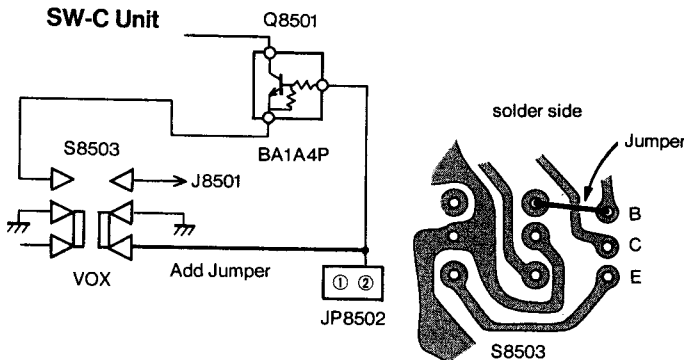
- ❑ On the SW-A Unit, cut the jumper wire above VR8302 and add R8342, a 3.3-kilohm, 1/8-W carbon film resistor (J07225332) in its place, as shown in the following drawings.

SW-A Unit



- ❑ Also, on the SW-C Unit, add a jumper from the base of transistor Q8501 to the free terminal on S8503, as shown below.

SW-C Unit



Howling on SSB Transmission

Referring to the drawing below, modify the RX-2 Unit as follows:

- ❑ Add R6390 (680-ohm 1/8-W carbon film resistor J01225681), D6079 and D6080 (type 1SS270 diodes G2090408) in series between the positive side of C6068 and the anode of D6015 (don't

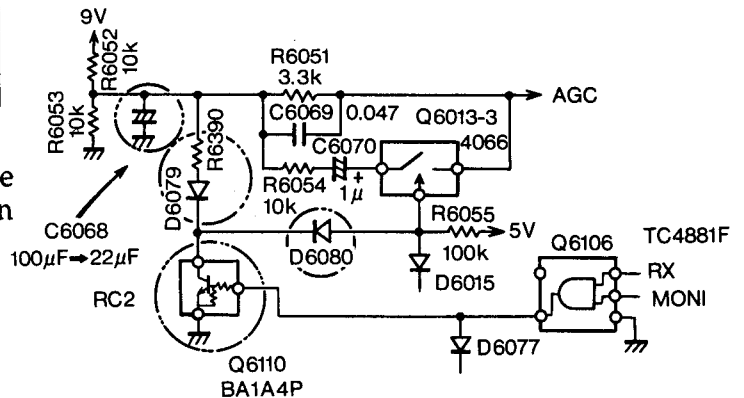
solder to C6068 until after replacing it, as described below). Note that the cathodes of the two new diodes connect together.

- ❑ Add Q6110, a type BA1A4P transistor (G3090079), as shown in the drawing, and connect its collector to the cathodes of the new diodes just installed.
- ❑ Replace 100-μF, 16-WV electrolytic capacitor C6068 with 22 μF (K46120005).
- ❑ Carefully tape all connections so nothing shorts to the chassis.

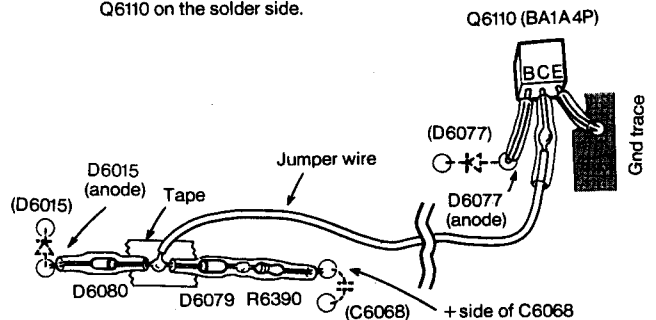
When the RX-2 is connected to the S meter it should read near full scale.

RX-2 Unit

Circuit after modification



Add R6390, D6079, D6080 and Q6110 on the solder side.



IF Gain Adjustment

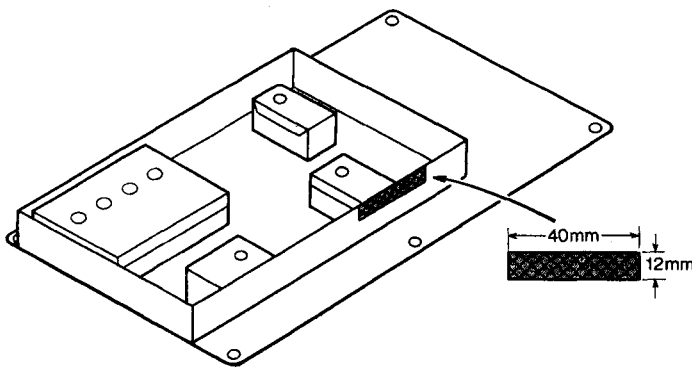
- Replace 4.7-kilohm $\frac{1}{10}$ -W chip resistor R2119 on the IF Unit with 10 kilohms (J24205103).

Elimination of Filter Ripple

- Replace 1-kilohm $\frac{1}{10}$ -W chip resistor R6023 on the RX-2 Unit with 1.5 kilohms (J24205152).

Elimination of Sub Rx Birdies

- On the RX-2 Unit, add a 40- x 12-mm piece of conductive tape per the drawing below.



The following modifications have been adopted in production lot 9 (all sets with serial numbers above XX0090000). Earlier sets should be modified in the field.

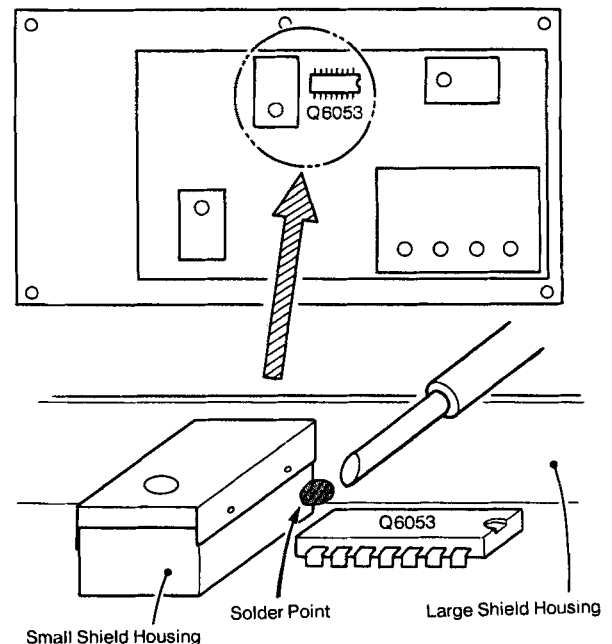
7.13-MHz Sub Rx Birdie Suppression

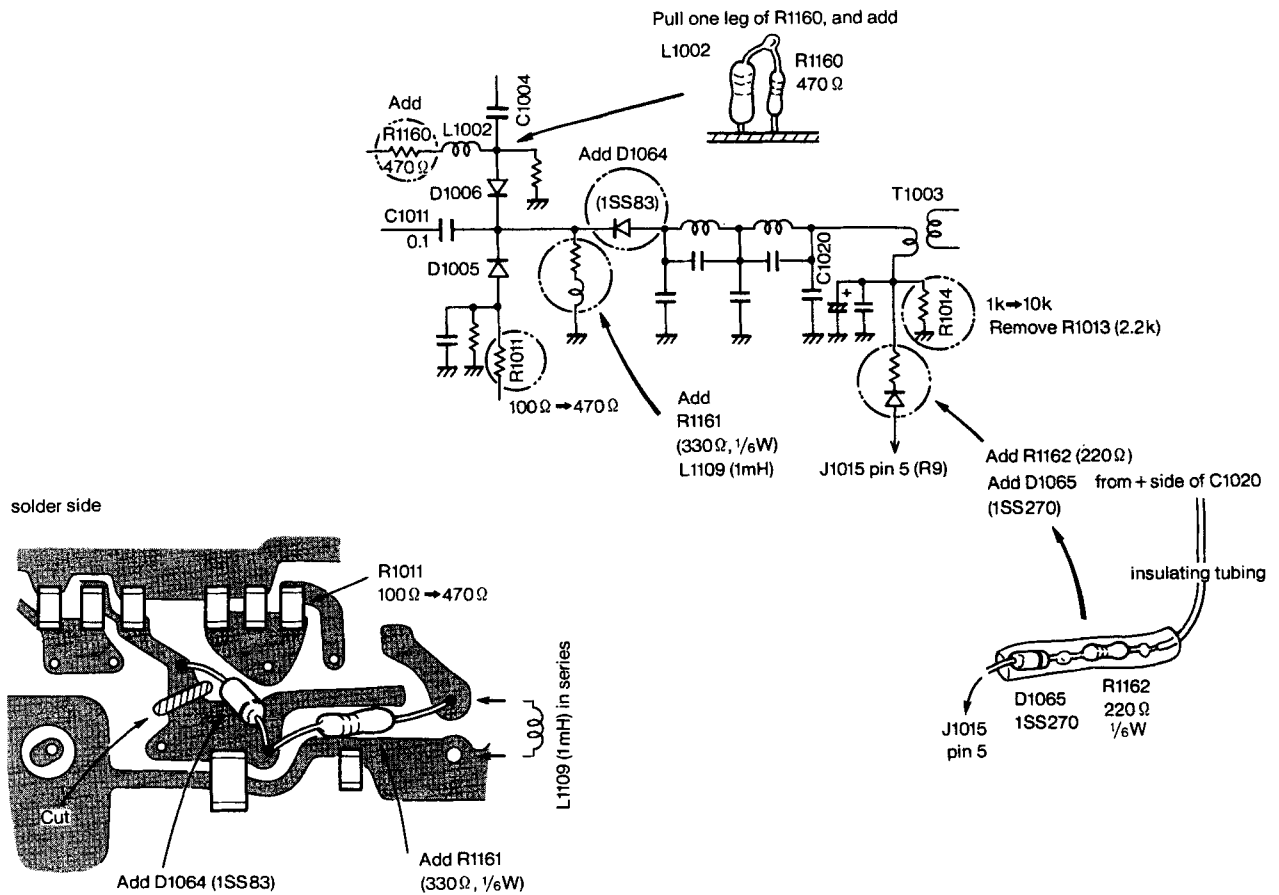
- Solder the side of the small shield housing near IC Q6053 to the large (outer) housing about 2 mm away, using a 40- to 60-W soldering iron, as shown at the right. The contact point should be as near the circuit board as possible, to avoid soldering the lid on the housing.

Preventing Main Receiver Self-Oscillation

The following modifications should be made on the RF Unit, while referring to the diagrams on the next page.

- Remove 2.2-kilohm $\frac{1}{10}$ -W chip resistor R1013.
- Replace 100-ohm $\frac{1}{10}$ -W chip resistor R1011 with 470 ohms (J24205471).
- Replace 1-kilohm $\frac{1}{10}$ -W chip resistor R1014 with 10 kilohms (J24205103).
- Add R1160, a 470-ohm $\frac{1}{6}$ -W carbon film resistor (J01225471).
- Add R1161, a 330-ohm $\frac{1}{6}$ -W carbon film resistor (J01225331).
- Add R1162, a 220-ohm $\frac{1}{6}$ -W carbon film resistor (J01225221).
- Add L1109, a 1-mH type LA03NA012K micro inductor (L1190189).
- Add D1064, a type 1SS83 Schottky diode (G209-0340).
- Add D1065, a type 1SS270 diode (G2090408).

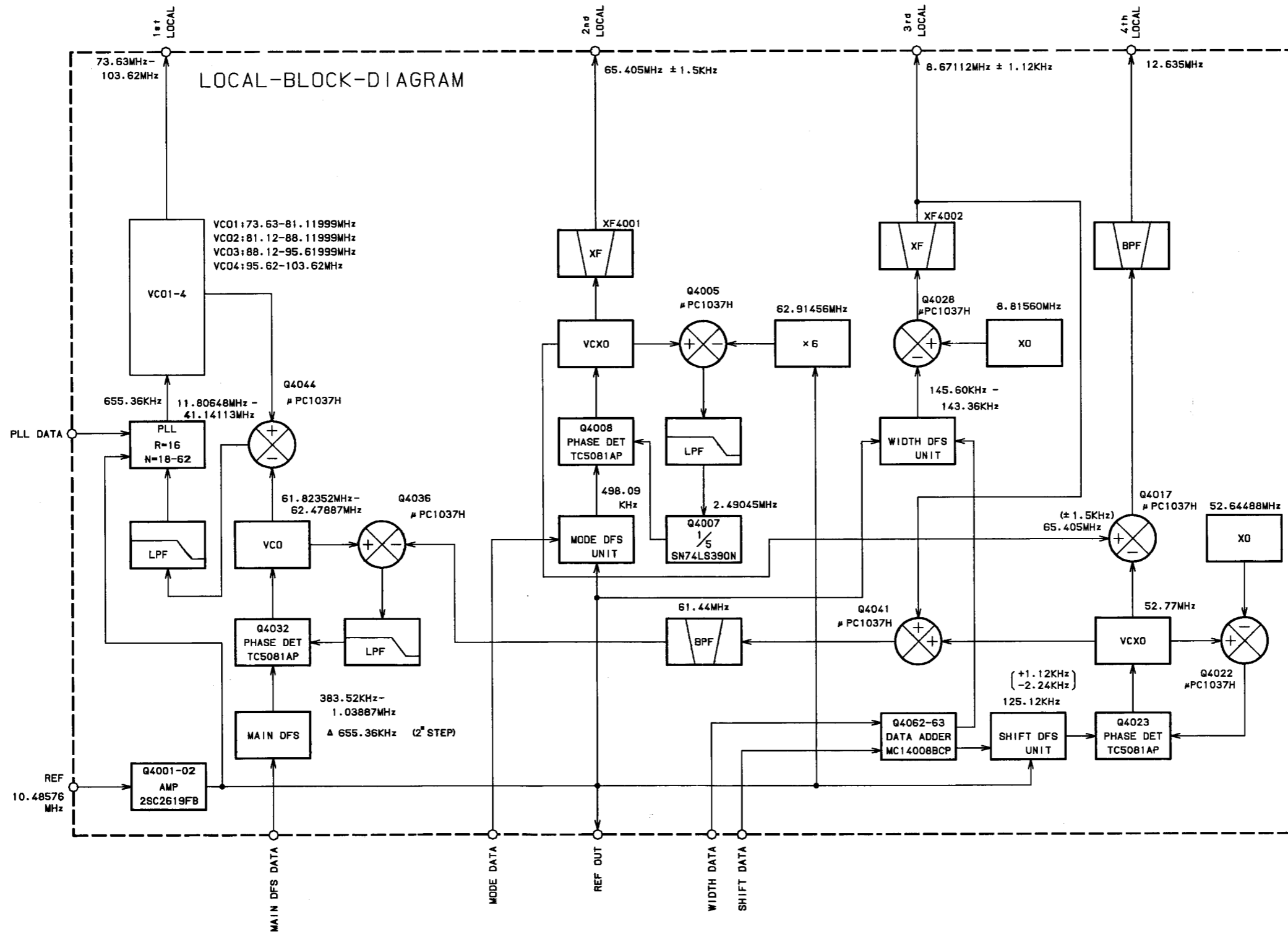


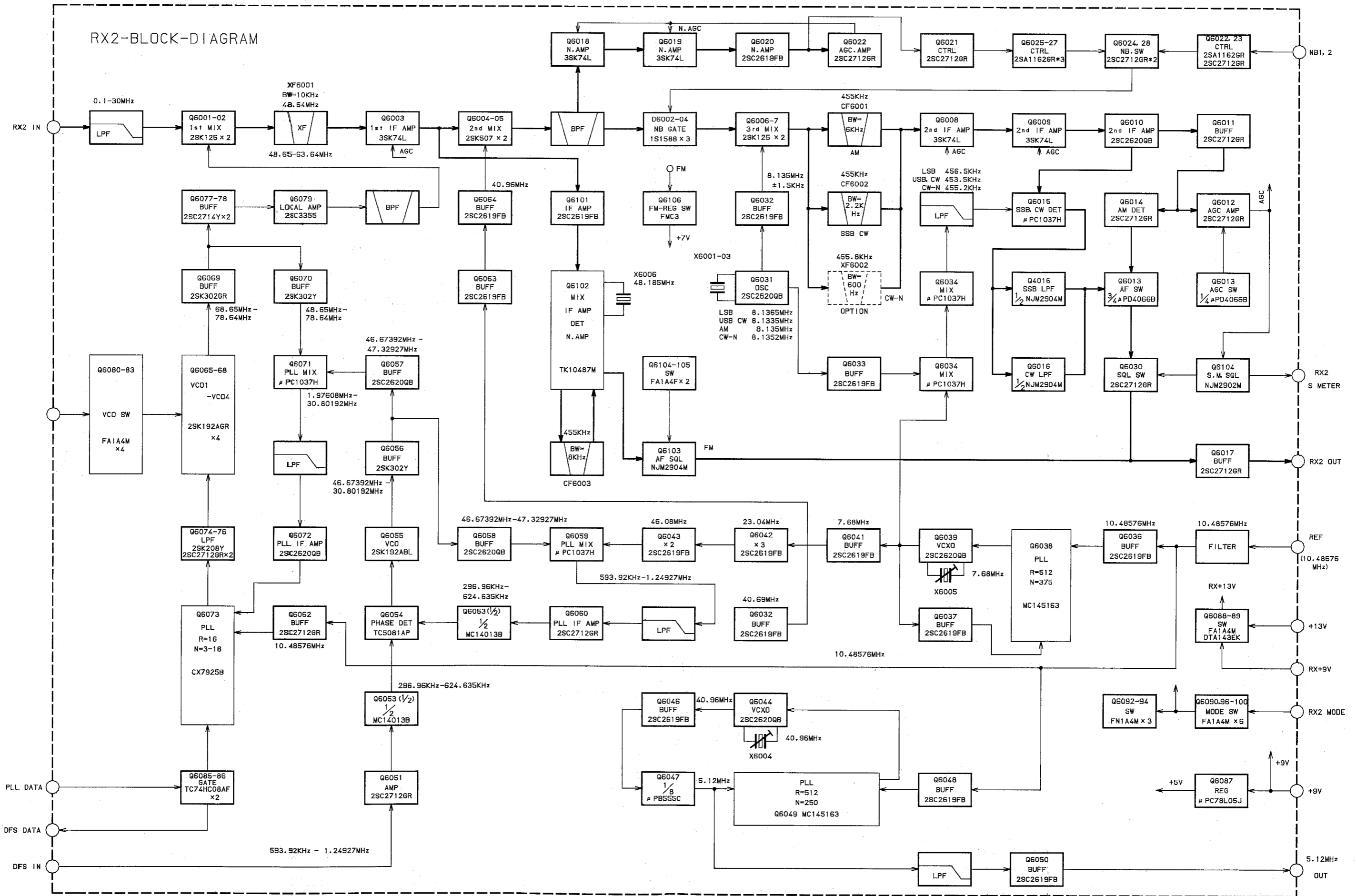


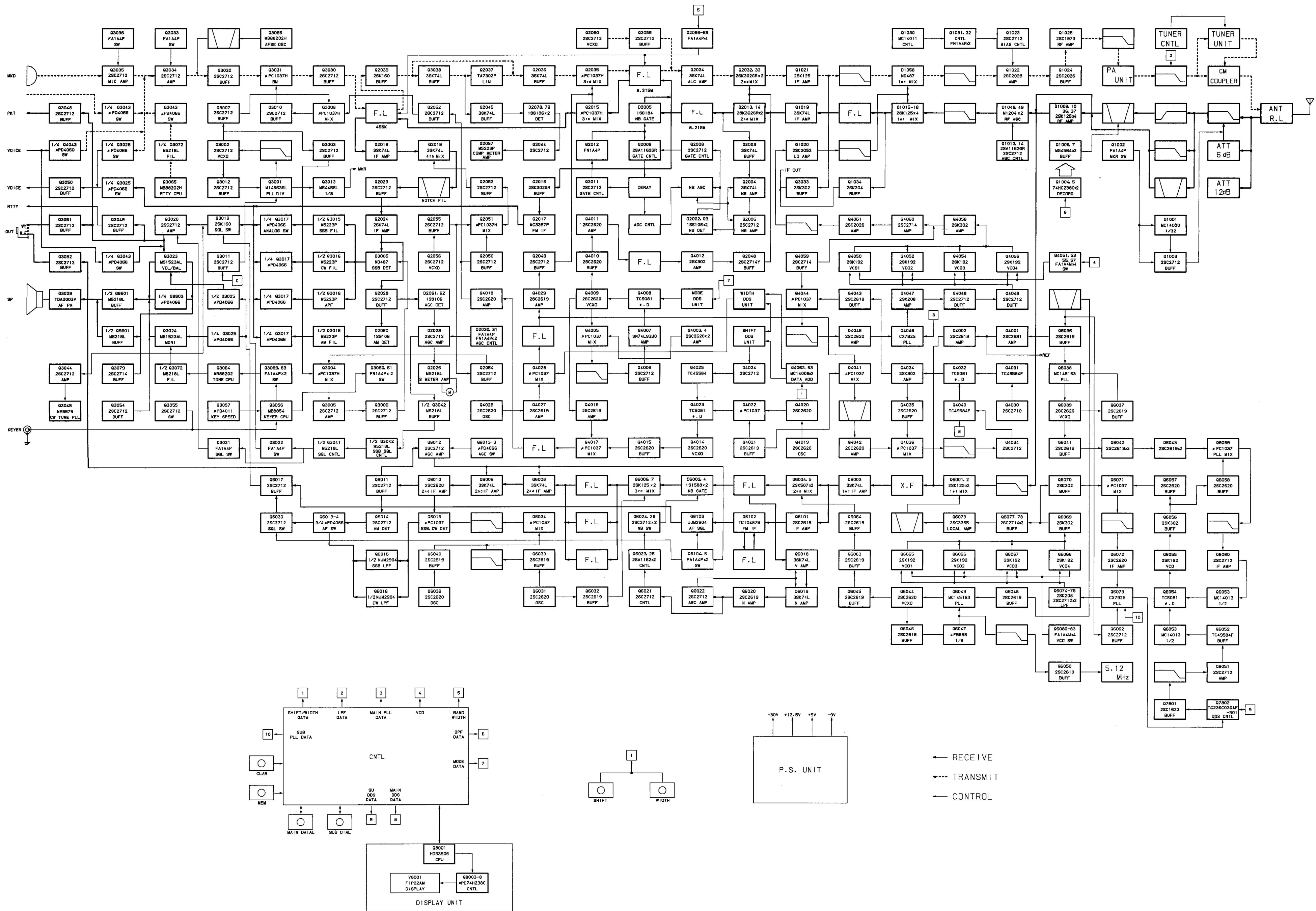
The following modification has been adopted in production lot 10 (all sets with serial numbers above XX0100000). Earlier sets should be modified in the field.

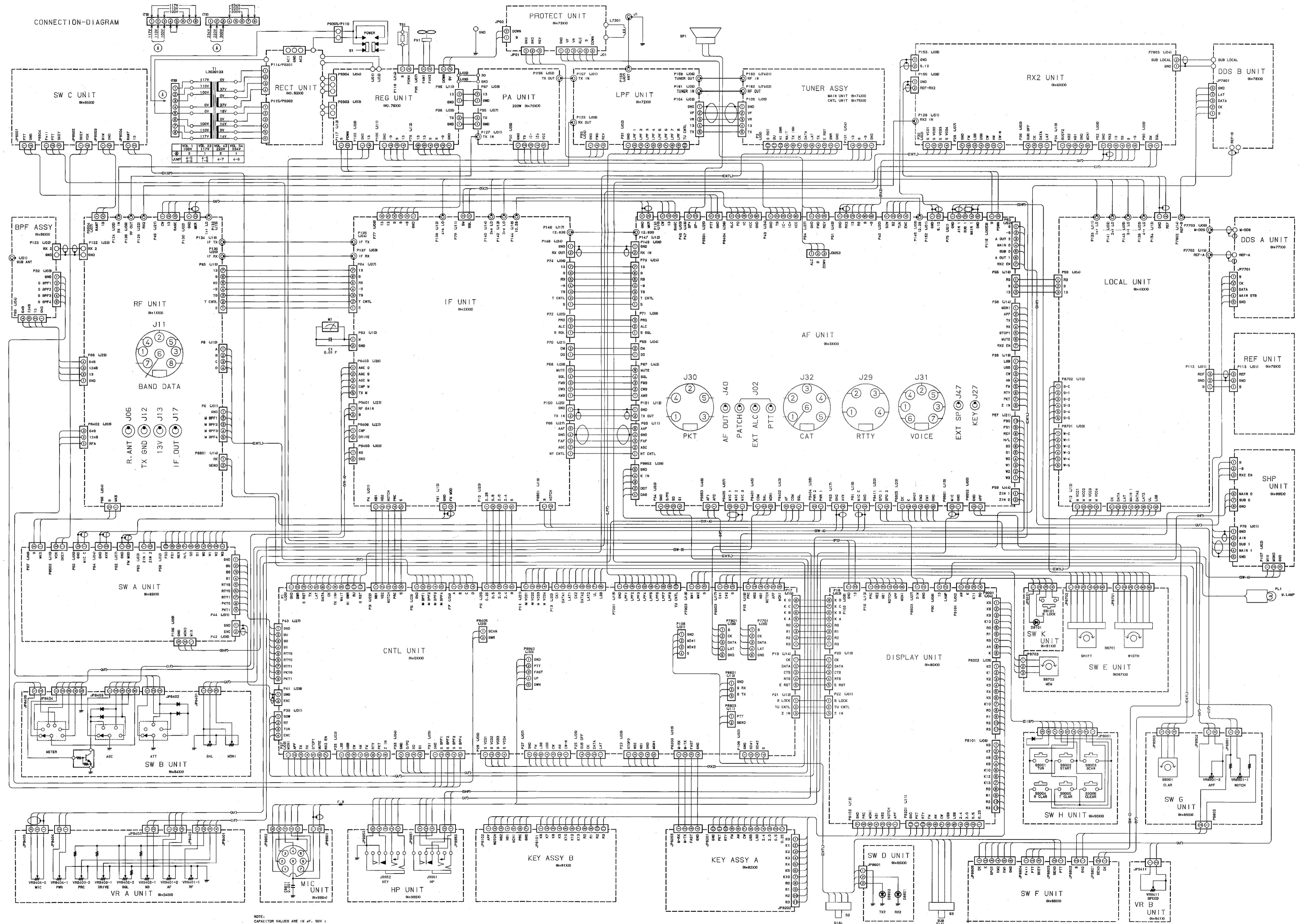
Preventing RX ANT Relay Failure (2)

- Replace type TC-112MN 12-WV DC relay RL7218 on the LPF Unit with higher-voltage type TC-112NV (M1190104).









NOTE:
CAPACITOR VALUES ARE IN μ F, 50V, UNLESS OTHERWISE NOTED.

RF Unit Parts List

REF.	DESCRIPTION	VALUE	WV	TOL.	MFRG'S DESIG	YAESU P/N	VERS.
*** RF UNIT ***							
PCB with Components						CA0015001	
Printed Circuit Board						F3059101C	
C 1001	CHIP CAP.	0.01uF	50V	B	GRM40B103M50PT	K22170817	
C 1002	CHIP CAP.	0.047uF	50V	F	GRM40F473Z50PT	K22171008	
C 1003	CHIP CAP.	47pF	50V	CH	GRM40CH470J50PT	K22170227	
C 1004	CHIP CAP.	5pF	50V	CH	GRM40CH050C50PT	K22170206	
C 1005	CHIP CAP.	0.01uF	50V	B	GRM40B103M50PT	K22170817	
C 1006	CHIP CAP.	0.01uF	50V	B	GRM40B103M50PT	K22170817	
C 1007	CHIP CAP.	0.01uF	50V	B	GRM40B103M50PT	K22170817	
C 1008	CHIP CAP.	0.01uF	50V	B	GRM40B103M50PT	K22170817	
C 1009	CHIP CAP.	0.01uF	50V	B	GRM40B103M50PT	K22170817	
C 1010	CHIP CAP.	0.01uF	50V	B	GRM40B103M50PT	K22170817	
C 1011	CHIP CAP.	0.1uF	50V	F	GRM42-6F104Z50PT	K22172009	
C 1012	CHIP CAP.	0.047uF	50V	F	GRM40F473Z50PT	K22171008	
C 1014	CHIP CAP.	68pF	50V	CH	GRM40CH680J50PT	K22170231	
C 1015	CHIP CAP.	22pF	50V	CH	GRM40CH220J50PT	K22170219	
C 1016	CHIP CAP.	150pF	50V	CH	GRM40CH151J50PT	K22170239	
C 1017	CHIP CAP.	6pF	50V	CH	GRM40CH060D50PT	K22170207	
C 1018	CHIP CAP.	68pF	50V	CH	GRM40CH680J50PT	K22170231	
C 1020	AL. ELECTRO. CAP.	10uF	50V		50V100M5X11TR5	K46170021	
C 1021	CHIP CAP.	0.047uF	50V	F	GRM40F473Z50PT	K22171008	
C 1022	CHIP CAP.	0.047uF	50V	F	GRM40F473Z50PT	K22171008	
C 1023	AL. ELECTRO. CAP.	10uF	50V		50V100M5X11TR5	K46170021	
C 1024	CHIP CAP.	0.047uF	50V	F	GRM40F473Z50PT	K22171008	
C 1025	CERAMIC CAP.	270pF	50V	SL	DD107-979SL271J50	K26171039	
C 1026	CERAMIC CAP.	270pF	50V	SL	DD107-979SL271J50	K26171039	
C 1027	CHIP CAP.	0.047uF	50V	F	GRM40F473Z50PT	K22171008	
C 1028	CHIP CAP.	0.01uF	50V	B	GRM40B103M50PT	K22170817	
C 1029	AL. ELECTRO. CAP.	10uF	50V		50V100M5X11TR5	K46170021	
C 1030	CERAMIC CAP.	0.0015	50V	X	UAU04X152K7L36VC	K26170703	
C 1031	CERAMIC CAP.	0.0027	50V	X	UAU05X272K7L36VC	K26170706	
C 1032	CERAMIC CAP.	0.0027	50V	X	UAU05X272K7L36VC	K26170706	
C 1033	CERAMIC CAP.	0.0015	50V	X	UAU04X152K7L36VC	K26170703	
C 1034	AL. ELECTRO. CAP.	10uF	50V		50V100M5X11TR5	K46170021	
C 1035	CHIP CAP.	0.01uF	50V	B	GRM40B103M50PT	K22170817	
C 1036	CERAMIC CAP.	510p	50V	SL	DD109SL511J50	K00175511	
C 1037	CERAMIC CAP.	0.001uF	50V	X	UAU04X102K7L36VC	K26170701	
C 1038	CERAMIC CAP.	200p	50V	SL	DD106SL201J50	K00179019	
C 1039	CERAMIC CAP.	620p	50V	SL	DD110SL621J50	K00175621	
C 1040	CERAMIC CAP.	0.001uF	50V	X	UAU04X102K7L36VC	K26170701	
C 1041	CERAMIC CAP.	510p	50V	SL	DD109SL511J50	K00175511	
C 1042	CHIP CAP.	0.047uF	50V	F	GRM40F473Z50PT	K22171008	
C 1043	AL. ELECTRO. CAP.	10uF	50V		50V100M5X11TR5	K46170021	
C 1044	CHIP CAP.	0.01uF	50V	B	GRM40B103M50PT	K22170817	
C 1045	CERAMIC CAP.	390pF	50V	SL	DD108-979SL391J50	K26171043	
C 1046	CERAMIC CAP.	390pF	50V	SL	DD108-979SL391J50	K26171043	
C 1047	CERAMIC CAP.	150pF	50V	SL	DD106-979SL151J50	K26171033	
C 1048	CERAMIC CAP.	0.0015	50V	X	UAU04X152K7L36VC	K26170703	
C 1049	CERAMIC CAP.	150pF	50V	SL	DD106-979SL151J50	K26171033	
C 1050	CERAMIC CAP.	390pF	50V	SL	DD108-979SL391J50	K26171043	
C 1051	CERAMIC CAP.	390pF	50V	SL	DD108-979SL391J50	K26171043	
C 1052	CHIP CAP.	0.047uF	50V	F	GRM40F473Z50PT	K22171008	
C 1053	AL. ELECTRO. CAP.	10uF	50V		50V100M5X11TR5	K46170021	
C 1054	CHIP CAP.	0.01uF	50V	B	GRM40B103M50PT	K22170817	
C 1055	CERAMIC CAP.	390pF	50V	SL	DD108-979SL391J50	K26171043	
C 1056	CERAMIC CAP.	150pF	50V	SL	DD106-979SL151J50	K26171033	
C 1057	CERAMIC CAP.	130p	50V	SL	DD105-979SL131J50	K26171032	
C 1058	CERAMIC CAP.	470pF	50V	SL	DD109-979SL471J50	K26171045	
C 1059	CERAMIC CAP.	470pF	50V	SL	DD109-979SL471J50	K26171045	
C 1060	CERAMIC CAP.	130p	50V	SL	DD105-979SL131J50	K26171032	
C 1061	CERAMIC CAP.	150pF	50V	SL	DD106-979SL151J50	K26171033	
C 1062	CERAMIC CAP.	390pF	50V	SL	DD108-979SL391J50	K26171043	
C 1063	CHIP CAP.	0.047uF	50V	F	GRM40F473Z50PT	K22171008	
C 1064	AL. ELECTRO. CAP.	10uF	50V		50V100M5X11TR5	K46170021	
C 1065	CHIP CAP.	0.01uF	50V	B	GRM40B103M50PT	K22170817	
C 1066	CERAMIC CAP.	390pF	50V	SL	DD108-979SL391J50	K26171043	
C 1067	CERAMIC CAP.	110p	50V	SL	DD105SL111J50	K00179015	

RF Unit Parts List

REF.	DESCRIPTION	VALUE	WV	TOL.	MFGR'S DESIG	YAESU P/N	VERS.
C 1068	CERAMIC CAP.	470pF	50V	SL	DD109-979SL471J50	K26171045	
C 1069	CERAMIC CAP.	300p	50V	SL	DD107SL301J50	K00179021	
C 1070	CERAMIC CAP.	110p	50V	SL	DD105SL111J50	K00179015	
C 1071	CERAMIC CAP.	390pF	50V	SL	DD108-979SL391J50	K26171043	
C 1072	CHIP CAP.	0.047uF	50V	F	GRM40F473Z50PT	K22171008	
C 1073	AL. ELECTRO. CAP.	10uF	50V		50V100M5X11TR5	K46170021	
C 1074	CHIP CAP.	0.01uF	50V	B	GRM40B103M50PT	K22170817	
C 1075	CERAMIC CAP.	240p	50V	SL	DD107SL241J50	K00179020	
C 1076	CERAMIC CAP.	82pF	50V	SL	DD104-979SL820J50	K26171027	
C 1077	CERAMIC CAP.	470pF	50V	SL	DD109-979SL471J50	K26171045	
C 1078	CERAMIC CAP.	82pF	50V	SL	DD104-979SL820J50	K26171027	
C 1079	CERAMIC CAP.	240p	50V	SL	DD107SL241J50	K00179020	
C 1080	CHIP CAP.	0.047uF	50V	F	GRM40F473Z50PT	K22171008	
C 1081	AL. ELECTRO. CAP.	10uF	50V		50V100M5X11TR5	K46170021	
C 1082	CHIP CAP.	0.01uF	50V	B	GRM40B103M50PT	K22170817	
C 1083	CERAMIC CAP.	270pF	50V	SL	DD107-979SL271J50	K26171039	
C 1084	CERAMIC CAP.	36p	50V	SL	DD104SL360J50	K00179008	
C 1085	CERAMIC CAP.	470pF	50V	SL	DD109-979SL471J50	K26171045	
C 1087	CERAMIC CAP.	36p	50V	SL	DD104SL360J50	K00179008	
C 1088	CERAMIC CAP.	270pF	50V	SL	DD107-979SL271J50	K26171039	
C 1089	CHIP CAP.	0.047uF	50V	F	GRM40F473Z50PT	K22171008	
C 1090	AL. ELECTRO. CAP.	10uF	50V		50V100M5X11TR5	K46170021	
C 1091	CHIP CAP.	0.01uF	50V	B	GRM40B103M50PT	K22170817	
C 1092	CERAMIC CAP.	270pF	50V	SL	DD107-979SL271J50	K26171039	
C 1093	CERAMIC CAP.	36p	50V	SL	DD104SL360J50	K00179008	
C 1094	CERAMIC CAP.	560pF	50V	SL	DD109-979SL561J50	K26171047	
C 1095	CERAMIC CAP.	36p	50V	SL	DD104SL360J50	K00179008	
C 1096	CERAMIC CAP.	270pF	50V	SL	DD107-979SL271J50	K26171039	
C 1097	CHIP CAP.	0.047uF	50V	F	GRM40F473Z50PT	K22171008	
C 1098	AL. ELECTRO. CAP.	10uF	50V		50V100M5X11TR5	K46170021	
C 1099	CHIP CAP.	0.01uF	50V	B	GRM40B103M50PT	K22170817	
C 1100	CERAMIC CAP.	150pF	50V	SL	DD106-979SL151J50	K26171033	
C 1101	CERAMIC CAP.	18pF	50V	SL	DD104-979SL180J50	K26171011	
C 1102	CERAMIC CAP.	330pF	50V	SL	DD107-979SL331J50	K26171041	
C 1103	CERAMIC CAP.	18pF	50V	SL	DD104-979SL180J50	K26171011	
C 1104	CERAMIC CAP.	150pF	50V	SL	DD106-979SL151J50	K26171033	
C 1105	CHIP CAP.	0.047uF	50V	F	GRM40F473Z50PT	K22171008	
C 1106	AL. ELECTRO. CAP.	10uF	50V		50V100M5X11TR5	K46170021	
C 1107	CHIP CAP.	0.01uF	50V	B	GRM40B103M50PT	K22170817	
C 1108	CERAMIC CAP.	150pF	50V	SL	DD106-979SL151J50	K26171033	
C 1110	CERAMIC CAP.	18pF	50V	SL	DD104-979SL180J50	K26171011	
C 1111	CERAMIC CAP.	300p	50V	SL	DD107SL301J50	K00179021	
C 1112	CERAMIC CAP.	18pF	50V	SL	DD104-979SL180J50	K26171011	
C 1114	CERAMIC CAP.	150pF	50V	SL	DD106-979SL151J50	K26171033	
C 1115	CHIP CAP.	0.047uF	50V	F	GRM40F473Z50PT	K22171008	
C 1116	AL. ELECTRO. CAP.	10uF	50V		50V100M5X11TR5	K46170021	
C 1117	CHIP CAP.	0.01uF	50V	B	GRM40B103M50PT	K22170817	
C 1118	CERAMIC CAP.	240p	50V	SL	DD107SL241J50	K00179020	
C 1119	CERAMIC CAP.	18pF	50V	SL	DD104-979SL180J50	K26171011	
C 1120	CERAMIC CAP.	330pF	50V	SL	DD107-979SL331J50	K26171041	
C 1121	CERAMIC CAP.	82pF	50V	SL	DD104-979SL820J50	K26171027	
C 1122	CERAMIC CAP.	18pF	50V	SL	DD104-979SL180J50	K26171011	
C 1123	CERAMIC CAP.	240p	50V	SL	DD107SL241J50	K00179020	
C 1124	CHIP CAP.	0.047uF	50V	F	GRM40F473Z50PT	K22171008	
C 1125	AL. ELECTRO. CAP.	10uF	50V		50V100M5X11TR5	K46170021	
C 1126	CHIP CAP.	0.01uF	50V	B	GRM40B103M50PT	K22170817	
C 1127	CERAMIC CAP.	150pF	50V	SL	DD106-979SL151J50	K26171033	
C 1128	CERAMIC CAP.	13p	50V	SL	DD104SL130J50	K00179003	
C 1129	CERAMIC CAP.	330pF	50V	SL	DD107-979SL331J50	K26171041	
C 1130	CERAMIC CAP.	13p	50V	SL	DD104SL130J50	K00179003	
C 1131	CERAMIC CAP.	150pF	50V	SL	DD106-979SL151J50	K26171033	
C 1132	CHIP CAP.	0.047uF	50V	F	GRM40F473Z50PT	K22171008	
C 1133	AL. ELECTRO. CAP.	10uF	50V		50V100M5X11TR5	K46170021	
C 1134	CHIP CAP.	0.01uF	50V	B	GRM40B103M50PT	K22170817	
C 1135	CERAMIC CAP.	100pF	50V	SL	DD105-979SL101J50	K26171029	
C 1136	CERAMIC CAP.	10pF	50V	SL	DD104-979SL100D50	K26171005	
C 1137	CERAMIC CAP.	180pF	50V	SL	DD106-979SL181J50	K26171035	
C 1138	CERAMIC CAP.	10pF	50V	SL	DD104-979SL100D50	K26171005	
C 1139	CERAMIC CAP.	100pF	50V	SL	DD105-979SL101J50	K26171029	
C 1140	CHIP CAP.	0.047uF	50V	F	GRM40F473Z50PT	K22171008	
C 1141	AL. ELECTRO. CAP.	10uF	50V		50V100M5X11TR5	K46170021	

RF Unit Parts List

REF.	DESCRIPTION	VALUE	WV	TOL.	MFGR'S DESIG	YAESU P/N	VERS.
C 1142	CHIP CAP.	0.01uF	50V	B	GRM40B103M50PT	K22170817	
C 1143	CERAMIC CAP.	51p	50V	SL	DD104SL510J50	K00179010	
C 1144	CERAMIC CAP.	9pF	50V	SL	DD104-979SL090D50	K26171004	
C 1145	CERAMIC CAP.	100pF	50V	SL	DD105-979SL101J50	K26171029	
C 1146	CERAMIC CAP.	9pF	50V	SL	DD104-979SL090D50	K26171004	
C 1147	CERAMIC CAP.	51p	50V	SL	DD104SL510J50	K00179010	
C 1148	CHIP CAP.	0.047uF	50V	F	GRM40F473Z50PT	K22171008	
C 1149	AL. ELECTRO. CAP.	10uF	50V		50V100M5X11TR5	K46170021	
C 1150	CHIP CAP.	0.047uF	50V	F	GRM40F473Z50PT	K22171008	
C 1151	CHIP CAP.	0.047uF	50V	F	GRM40F473Z50PT	K22171008	
C 1152	AL. ELECTRO. CAP.	10uF	50V		50V100M5X11TR5	K46170021	
C 1153	CHIP CAP.	0.047uF	50V	F	GRM40F473Z50PT	K22171008	
C 1154	AL. ELECTRO. CAP.	10uF	50V		50V100M5X11TR5	K46170021	
C 1156	CHIP CAP.	0.047uF	50V	F	GRM40F473Z50PT	K22171008	
C 1157	AL. ELECTRO. CAP.	10uF	50V		50V100M5X11TR5	K46170021	
C 1158	AL. ELECTRO. CAP.	10uF	50V		50V100M5X11TR5	K46170021	
C 1159	CHIP CAP.	0.047uF	50V	F	GRM40F473Z50PT	K22171008	
C 1160	CHIP CAP.	0.047uF	50V	F	GRM40F473Z50PT	K22171008	
C 1161	AL. ELECTRO. CAP.	10uF	50V		50V100M5X11TR5	K46170021	
C 1162	CHIP CAP.	0.047uF	50V	F	GRM40F473Z50PT	K22171008	
C 1163	AL. ELECTRO. CAP.	10uF	50V		50V100M5X11TR5	K46170021	
C 1164	CHIP CAP.	0.1uF	50V	F	GRM42-6F104Z50PT	K22172009	
C 1165	CHIP CAP.	0.1uF	50V	F	GRM42-6F104Z50PT	K22172009	
C 1166	CHIP CAP.	0.01uF	50V	B	GRM40B103M50PT	K22170817	
C 1167	CHIP CAP.	0.047uF	50V	F	GRM40F473Z50PT	K22171008	
C 1168	CHIP CAP.	0.047uF	50V	F	GRM40F473Z50PT	K22171008	
C 1169	AL. ELECTRO. CAP.	1uF	50V		50V010M4X7TR2	K46170030	
C 1170	CHIP CAP.	56pF	50V	CH	GRM40CH560J50PT	K22170229	
C 1171	CHIP CAP.	22pF	50V	CH	GRM40CH220J50PT	K22170219	
C 1172	CHIP CAP.	150pF	50V	CH	GRM40CH151J50PT	K22170239	
C 1173	CHIP CAP.	6pF	50V	CH	GRM40CH060D50PT	K22170207	
C 1174	CHIP CAP.	68pF	50V	CH	GRM40CH680J50PT	K22170231	
C 1175	AL. ELECTRO. CAP.	10uF	50V		50V100M5X11TR5	K46170021	
C 1176	CHIP CAP.	0.047uF	50V	F	GRM40F473Z50PT	K22171008	
C 1177	CHIP CAP.	0.047uF	50V	F	GRM40F473Z50PT	K22171008	
C 1178	CHIP CAP.	0.047uF	50V	F	GRM40F473Z50PT	K22171008	
C 1179	CHIP CAP.	0.047uF	50V	F	GRM40F473Z50PT	K22171008	
C 1180	CHIP CAP.	0.047uF	50V	F	GRM40F473Z50PT	K22171008	
C 1181	CHIP CAP.	0.01uF	50V	B	GRM40B103M50PT	K22170817	
C 1182	AL. ELECTRO. CAP.	10uF	50V		50V100M5X11TR5	K46170021	
C 1183	CHIP CAP.	47pF	50V	CH	GRM40CH470J50PT	K22170227	
C 1184	CHIP CAP.	100pF	50V	CH	GRM40CH101J50PT	K22170235	
C 1185	CHIP CAP.	100pF	50V	CH	GRM40CH101J50PT	K22170235	
C 1186	CHIP CAP.	100pF	50V	CH	GRM40CH101J50PT	K22170235	
C 1187	CHIP CAP.	0.01uF	50V	B	GRM40B103M50PT	K22170817	
C 1188	CHIP CAP.	0.047uF	50V	B	GRM40B473M50PT	K22170823	
C 1189	CHIP CAP.	0.01uF	50V	B	GRM40B103M50PT	K22170817	
C 1190	CHIP CAP.	0.01uF	50V	B	GRM40B103M50PT	K22170817	
C 1191	CHIP CAP.	100pF	50V	CH	GRM40CH101J50PT	K22170235	
C 1192	CHIP CAP.	0.01uF	50V	B	GRM40B103M50PT	K22170817	
C 1193	CHIP CAP.	150pF	50V	CH	GRM40CH151J50PT	K22170239	
C 1194	CHIP CAP.	0.01uF	50V	B	GRM40B103M50PT	K22170817	
C 1195	CHIP CAP.	0.01uF	50V	B	GRM40B103M50PT	K22170817	
C 1196	CHIP CAP.	0.01uF	50V	B	GRM40B103M50PT	K22170817	
C 1197	CHIP CAP.	22pF	50V	CH	GRM40CH220J50PT	K22170219	
C 1198	CHIP CAP.	3pF	50V	CJ	GRM40CJ030C50PT	K22170204	
C 1199	CHIP CAP.	39pF	50V	CH	GRM40CH390J50PT	K22170225	
C 1200	CHIP CAP.	9pF	50V	CH	GRM40CH090D50PT	K22170210	
C 1201	CHIP CAP.	22pF	50V	CH	GRM40CH220J50PT	K22170219	
C 1202	CHIP CAP.	0.01uF	50V	B	GRM40B103M50PT	K22170817	
C 1203	CHIP CAP.	0.01uF	50V	B	GRM40B103M50PT	K22170817	
C 1206	CHIP CAP.	0.01uF	50V	B	GRM40B103M50PT	K22170817	
C 1207	CHIP CAP.	0.01uF	50V	B	GRM40B103M50PT	K22170817	
C 1208	CHIP CAP.	10pF	50V	CH	GRM40CH100D50PT	K22170211	
C 1209	CHIP CAP.	0.01uF	50V	B	GRM40B103M50PT	K22170817	
C 1210	CHIP CAP.	0.01uF	50V	B	GRM40B103M50PT	K22170817	
C 1211	CHIP CAP.	100pF	50V	CH	GRM40CH101J50PT	K22170235	
C 1215	CHIP CAP.	68pF	50V	CH	GRM40CH680J50PT	K22170231	
C 1216	CHIP CAP.	6pF	50V	CH	GRM40CH060D50PT	K22170207	
C 1217	CHIP CAP.	150pF	50V	CH	GRM40CH151J50PT	K22170239	
C 1218	CHIP CAP.	18pF	50V	CH	GRM40CH180J50PT	K22170217	

RF Unit Parts List

REF.	DESCRIPTION	VALUE	WV	TOL.	MFRG'S DESIG	YAESU P/N	VERS.
C 1219	CHIP CAP.	68pF	50V	CH	GRM40CH680J50PT	K22170231	
C 1220	CHIP CAP.	0.047uF	50V	F	GRM40F473Z50PT	K22171008	
C 1221	AL. ELECTRO. CAP.	10uF	50V		50V100M5X11TR5	K46170021	
C 1222	CHIP CAP.	0.01uF	50V	B	GRM40B103M50PT	K22170817	
C 1223	CHIP CAP.	0.047uF	50V	F	GRM40F473Z50PT	K22171008	
C 1224	CHIP CAP.	0.01uF	50V	B	GRM40B103M50PT	K22170817	
C 1225	CHIP CAP.	0.047uF	50V	F	GRM40F473Z50PT	K22171008	
C 1226	CHIP CAP.	0.01uF	50V	B	GRM40B103M50PT	K22170817	
C 1227	AL. ELECTRO. CAP.	10uF	50V		50V100M5X11TR5	K46170021	
C 1228	CHIP CAP.	0.047uF	50V	F	GRM40F473Z50PT	K22171008	
C 1231	CHIP CAP.	0.047uF	50V	F	GRM40F473Z50PT	K22171008	
C 1233	CHIP CAP.	0.01uF	50V	B	GRM40B103M50PT	K22170817	
C 1234	CHIP CAP.	0.01uF	50V	B	GRM40B103M50PT	K22170817	
C 1235	AL. ELECTRO. CAP.	10uF	50V		50V100M5X11TR5	K46170021	
C 1236	CHIP CAP.	0.01uF	50V	B	GRM40B103M50PT	K22170817	
C 1237	CHIP CAP.	0.01uF	50V	B	GRM40B103M50PT	K22170817	
C 1238	CHIP CAP.	0.01uF	50V	B	GRM40B103M50PT	K22170817	
C 1239	CHIP CAP.	0.01uF	50V	B	GRM40B103M50PT	K22170817	
C 1240	CHIP CAP.	0.01uF	50V	B	GRM40B103M50PT	K22170817	
C 1241	CHIP CAP.	0.01uF	50V	B	GRM40B103M50PT	K22170817	
C 1242	CHIP CAP.	0.01uF	50V	B	GRM40B103M50PT	K22170817	
C 1243	CHIP CAP.	0.022uF	50V	B	GRM40B223M50PT	K22170821	
C 1244	CHIP CAP.	0.01uF	50V	B	GRM40B103M50PT	K22170817	
C 1245	CHIP CAP.	0.01uF	50V	B	GRM40B103M50PT	K22170817	
C 1246	CHIP CAP.	0.01uF	50V	B	GRM40B103M50PT	K22170817	
C 1249	CHIP CAP.	0.01uF	50V	B	GRM40B103M50PT	K22170817	
C 1250	AL. ELECTRO. CAP.	10uF	50V		50V100M5X11TR5	K46170021	
C 1251	CHIP CAP.	10pF	50V	CH	GRM40CH100D50PT	K22170211	
C 1254	CHIP CAP.	22pF	50V	CH	GRM40CH220J50PT	K22170219	
C 1256	CHIP CAP.	0.1uF	50V	F	GRM42-6F104Z50PT	K22172009	
C 1257	CHIP CAP.	0.1uF	50V	F	GRM42-6F104Z50PT	K22172009	
C 1259	CHIP CAP.	0.1uF	50V	F	GRM42-6F104Z50PT	K22172009	
C 1260	CHIP CAP.	22pF	50V	CH	GRM40CH220J50PT	K22170219	
C 1261	CHIP CAP.	0.001uF	50V	B	GRM40B102M50PT	K22170805	
C 1262	CERAMIC CAP.	0.047uF	50V	F	DD110F473Z50	K13179009	
C 1263	CHIP CAP.	0.047uF	50V	F	GRM40F473Z50PT	K22171008	
C 1264	CHIP CAP.	0.047uF	50V	F	GRM40F473Z50PT	K22171008	
C 1265	AL. ELECTRO. CAP.	10uF	50V		50V100M5X11TR5	K46170021	
C 1266	CHIP CAP.	0.047uF	50V	F	GRM40F473Z50PT	K22171008	
C 1267	AL. ELECTRO. CAP.	10uF	50V		50V100M5X11TR5	K46170021	
C 1268	CHIP CAP.	0.047uF	50V	F	GRM40F473Z50PT	K22171008	
C 1269	CHIP CAP.	0.047uF	50V	F	GRM40F473Z50PT	K22171008	
C 1270	CHIP CAP.	0.047uF	50V	F	GRM40F473Z50PT	K22171008	
C 1271	CHIP CAP.	0.047uF	50V	F	GRM40F473Z50PT	K22171008	
C 1272	CHIP CAP.	0.047uF	50V	F	GRM40F473Z50PT	K22171008	
C 1273	CHIP CAP.	0.047uF	50V	F	GRM40F473Z50PT	K22171008	
C 1274	CHIP CAP.	0.047uF	50V	F	GRM40F473Z50PT	K22171008	
C 1275	CHIP CAP.	27pF	50V	CH	GRM40CH270J50PT	K22170221	
C 1276	CHIP CAP.	0.047uF	50V	F	GRM40F473Z50PT	K22171008	
C 1277	CHIP CAP.	0.047uF	50V	F	GRM40F473Z50PT	K22171008	
C 1278	CHIP CAP.	0.01uF	50V	B	GRM40B103M50PT	K22170817	
D 1001	DIODE				1SS270TJ	G2060004	
D 1002	DIODE				1SS270TJ	G2060004	
D 1003	DIODE				1SS270TJ	G2060004	
D 1004	DIODE				1SS270TJ	G2060004	
D 1005	DIODE				D1N60-4070	G2060013	
D 1006	DIODE				D1N60-4070	G2060013	
D 1007	DIODE				1SV157-T1	G2060014	
D 1008	DIODE				1SV157-T1	G2060014	
D 1009	DIODE				1SV157-T1	G2060014	
D 1010	DIODE				1SV157-T1	G2060014	
D 1011	DIODE				1SV157-T1	G2060014	
D 1012	DIODE				1SV157-T1	G2060014	
D 1013	DIODE				1SS83RE	G2050007	
D 1014	DIODE				1SV157-T1	G2060014	
D 1015	DIODE				1SS83RE	G2050007	
D 1016	DIODE				1SV157-T1	G2060014	
D 1017	DIODE				1SS83RE	G2050007	
D 1018	DIODE				1SV157-T1	G2060014	
D 1019	DIODE				1SS83RE	G2050007	

RF Unit Parts List

REF.	DESCRIPTION	VALUE	WV	TOL.	MFRG'S DESIG	YAESU P/N	VERS.
D 1020	DIODE				1SV157-T1	G2060014	
D 1021	DIODE				1SS83RE	G2050007	
D 1022	DIODE				1SV157-T1	G2060014	
D 1023	DIODE				1SS83RE	G2050007	
D 1024	DIODE				1SV157-T1	G2060014	
D 1025	DIODE				1SS83RE	G2050007	
D 1026	DIODE				1SV157-T1	G2060014	
D 1027	DIODE				1SS83RE	G2050007	
D 1028	DIODE				1SV157-T1	G2060014	
D 1029	DIODE				1SS83RE	G2050007	
D 1030	DIODE				1SV157-T1	G2060014	
D 1031	DIODE				1SS83RE	G2050007	
D 1032	DIODE				1SV157-T1	G2060014	
D 1033	DIODE				1SS83RE	G2050007	
D 1034	DIODE				1SV157-T1	G2060014	
D 1035	DIODE				1SS83RE	G2050007	
D 1036	DIODE				1SV157-T1	G2060014	
D 1037	DIODE				1SS83RE	G2050007	
D 1038	DIODE				1SV157-T1	G2060014	
D 1039	DIODE				1SS83RE	G2050007	
D 1040	DIODE				1SS83RE	G2050007	
D 1041	DIODE				1SS83RE	G2050007	
D 1042	DIODE				1SS83RE	G2050007	
D 1044	DIODE				1SS53-TB	G2050008	
D 1045	DIODE				1SS53-TB	G2050008	
D 1046	DIODE				1SS53-TB	G2050008	
D 1047	DIODE				1SS53-TB	G2050008	
D 1048	DIODE				XB15A204A2GB	G2090746	
D 1049	DIODE				XB15A204A2GB	G2090746	
D 1050	DIODE				1SS270TJ	G2060004	
D 1051	DIODE				1SS270TJ	G2060004	
D 1052	DIODE				1SS270TJ	G2060004	
D 1053	DIODE				1SS270TJ	G2060004	
D 1054	DIODE				1SS270TJ	G2060004	
D 1055	DIODE				1SS270TJ	G2060004	
D 1056	DIODE				1SS270TJ	G2060004	
D 1057	DIODE				1SS270TJ	G2060004	
D 1058	DIODE				ND487CIT-E3	G2070358	
D 1059	SURGE ABSORBER				DSP201M-S00B	Q9000375	
D 1060	DIODE				1SS53-TB	G2050008	
D 1061	DIODE				1SS270TJ	G2060004	
D 1062	DIODE				1SS270TJ	G2060004	
D 1063	DIODE				1SS270TJ	G2060004	
D 1064	DIODE				1SV157-T1	G2060014	
D 1065	DIODE				1SS270	G2090408	
F 1001	FUSE					Q0000035	
FH1001	FUSE CLIP (2pcs)				UF-0033#01	P2000024	
J 1001	CONNECTOR				SC25-05WS	P0090624	
J 1002	CONNECTOR				SC25-02WS	P0090621	
J 1003	CONNECTOR				SC25-03WS	P0090622	
J 1004	CONNECTOR				SC25-02WS	P0090621	
J 1005	CONNECTOR				TMP-J01X-A2	P1090255	
J 1006	CONNECTOR				JPJ2042-01-110	P1090631	
J 1007	CONNECTOR				SC25-02WS	P0090621	
J 1008	CONNECTOR				TMP-J01X-A2	P1090255	
J 1009	CONNECTOR				TMP-J01X-A2	P1090255	
J 1010	CONNECTOR				SC25-04WS	P0090623	
J 1011	CONNECTOR				TCS5073-59-4151	P1090649	
J 1013	CONNECTOR				JPJ2042-01-120	P1090632	
J 1014	CONNECTOR				SC25-02WS	P0090621	
J 1015	CONNECTOR				SC25-07WS	P0090626	
J 1016	CONNECTOR				TMP-J01X-A2	P1090255	
J 1018	CONNECTOR				TMP-J01X-A2	P1090255	
J 1019	CONNECTOR				TMP-J01X-A2	P1090255	
J 1020	CONNECTOR				TMP-J01X-A2	P1090255	
J 1021	CONNECTOR				SC25-03WS	P0090622	
J 1022	CONNECTOR				TMP-J01X-A2	P1090255	
J 1023	CONNECTOR				SC25-02WS	P0090621	

RF Unit Parts List

REF.	DESCRIPTION	VALUE	WV	TOL.	MFGR'S DESIG	YAESU P/N	VERS.
J 1025	CONNECTOR				SC25-04WS	P0090623	
JP1001	WIRE ASSY					T9205907	
JP1003	WIRE ASSY					T9205908	
JP1005	WIRE ASSY					T9205909	
JP1007	WIRE ASSY					T9205908	
JP1009	JUMPER WIRE					Q6100015	
L 1001	M. RFC	1mH			LAL03VB102K	L1790164	
L 1002	M. RFC	1mH			LAL03NA102K	L1190189	
L 1003	M. RFC	560uH			LAL03VB561K	L1790161	
L 1004	COIL	0.24uH			0.240U T25-6	L0021222	
L 1005	COIL	0.28uH			0.280U T25-6	L0020927	
L 1007	M. RFC	33uH			LAP02TA330K	L1790064	
L 1008	M. RFC	15uH			LAP02TA150K	L1790060	
L 1009	M. RFC	33uH			LAP02TA330K	L1790064	
L 1011	M. RFC	1mH			LAL03VB102K	L1790164	
L 1012	M. RFC	82uH			LAP02TA820K	L1790069	
L 1013	M. RFC	100uH			LAP02TA101K	L1790070	
L 1014	M. RFC	82uH			LAP02TA820K	L1790069	
L 1015	M. RFC	1mH			LAL03VB102K	L1790164	
L 1016	M. RFC	56uH			LAP02TA560K	L1790067	
L 1017	M. RFC	27uH			LAP02TA270K	L1790063	
L 1018	M. RFC	27uH			LAP02TA270K	L1790063	
L 1019	M. RFC	27uH			LAP02TA270K	L1790063	
L 1020	M. RFC	56uH			LAP02TA560K	L1790067	
L 1021	M. RFC	8.2uH			LAP02TA8R2K	L1790057	
L 1022	M. RFC	47uH			LAP02TA470K	L1790066	
L 1023	M. RFC	4.7uH			LAP02TA4R7K	L1790054	
L 1024	M. RFC	47uH			LAP02TA470K	L1790066	
L 1025	M. RFC	8.2uH			LAP02TA8R2K	L1790057	
L 1026	M. RFC	8.2uH			LAP02TA8R2K	L1790057	
L 1027	M. RFC	33uH			LAP02TA330K	L1790064	
L 1028	M. RFC	4.7uH			LAP02TA4R7K	L1790054	
L 1029	M. RFC	33uH			LAP02TA330K	L1790064	
L 1030	M. RFC	8.2uH			LAP02TA8R2K	L1790057	
L 1031	M. RFC	6.8uH			LAP02TA6R8K	L1790056	
L 1032	M. RFC	22uH			LAP02TA220K	L1790062	
L 1033	M. RFC	3.3uH			LAP02TA3R3K	L1790052	
L 1034	M. RFC	22uH			LAP02TA220K	L1790062	
L 1035	M. RFC	6.8uH			LAP02TA6R8K	L1790056	
L 1036	M. RFC	3.9uH			LAP02TA3R9K	L1790053	
L 1037	M. RFC	12uH			LAP02TA120K	L1790059	
L 1038	M. RFC	2.2uH			LAP02TA2R2K	L1790050	
L 1039	M. RFC	12uH			LAP02TA120K	L1790059	
L 1040	M. RFC	3.9uH			LAP02TA3R9K	L1790053	
L 1041	M. RFC	1.8uH			LAP02TA1R8K	L1790049	
L 1042	M. RFC	15uH			LAP02TA150K	L1790060	
L 1043	M. RFC	1.2uH			LAP02TA1R2K	L1790047	
L 1044	M. RFC	15uH			LAP02TA150K	L1790060	
L 1045	M. RFC	1.8uH			LAP02TA1R8K	L1790049	
L 1046	M. RFC	1.2uH			LAP02TA1R2K	L1790047	
L 1047	M. RFC	10uH			LAP02TA100K	L1790058	
L 1048	M. RFC	0.68uH			LAP02TAR68K	L1790044	
L 1049	M. RFC	10uH			LAP02TA100K	L1790058	
L 1050	M. RFC	1.2uH			LAP02TA1R2K	L1790047	
L 1051	M. RFC	1.2u			LAP02TA1R2K	L1790047	
L 1052	M. RFC	10uH			LAP02TA100K	L1790058	
L 1053	M. RFC	0.68uH			LAP02TAR68K	L1790044	
L 1054	M. RFC	10uH			LAP02TA100K	L1790058	
L 1055	M. RFC	1.2uH			LAP02TA1R2K	L1790047	
L 1056	M. RFC	1uH			LAP02TA1R0K	L1790046	
L 1057	M. RFC	8.2uH			LAP02TA8R2K	L1790057	
L 1058	M. RFC	0.56uH			LAP02TAR56K	L1790043	
L 1059	M. RFC	8.2uH			LAP02TA8R2K	L1790057	
L 1060	M. RFC	1uH			LAP02TA1R0K	L1790046	
L 1061	M. RFC	0.56uH			LAP02TAR56K	L1790043	
L 1062	M. RFC	6.8uH			LAP02TA6R8K	L1790056	
L 1063	M. RFC	0.33uH			LAP02TAR33K	L1790040	
L 1064	M. RFC	6.8uH			LAP02TA6R8K	L1790056	
L 1065	M. RFC	0.56uH			LAP02TAR56K	L1790043	

RF Unit Parts List

REF.	DESCRIPTION	VALUE	WV	TOL.	MFR'S DESIG	YAESU P/N	VERS.
L 1066	M. RFC	0. 68uH			LAP02TAR68K	L1790044	
L 1067	M. RFC	6. 8uH			LAP02TA6R8K	L1790056	
L 1068	M. RFC	0. 33uH			LAP02TAR33K	L1790040	
L 1069	M. RFC	6. 8uH			LAP02TA6R8K	L1790056	
L 1070	M. RFC	0. 68uH			LAP02TAR68K	L1790044	
L 1071	M. RFC	0. 68uH			LAP02TAR68K	L1790044	
L 1072	M. RFC	5. 6uH			LAP02TA5R6K	L1790055	
L 1073	M. RFC	0. 39uH			LAP02TAR39K	L1790041	
L 1074	M. RFC	5. 6uH			LAP02TA5R6K	L1790055	
L 1075	M. RFC	0. 68uH			LAP02TAR68K	L1790044	
L 1076	M. RFC	0. 68uH			LAP02TAR68K	L1790044	
L 1077	M. RFC	3. 3uH			LAP02TA3R3K	L1790052	
L 1078	M. RFC	0. 39uH			LAP02TAR39K	L1790041	
L 1079	M. RFC	3. 3uH			LAP02TA3R3K	L1790052	
L 1080	M. RFC	0. 68uH			LAP02TAR68K	L1790044	
L 1081	M. RFC	1mH			LAL03VB102K	L1790164	
L 1082	M. RFC	4. 7uH			LAP02TA4R7K	L1790054	
L 1083	M. RFC	4. 7uH			LAP02TA4R7K	L1790054	
L 1084	M. RFC	1mH			LAL03VB102K	L1790164	
L 1085	M. RFC	1mH			LAL03VB102K	L1790164	
L 1086	COIL	0. 24uH			0. 240U T25-6	L0021222	
L 1087	COIL	0. 28uH			0. 280U T25-6	L0020927	
L 1088	M. RFC	10uH			LAP02TA100K	L1790058	
L 1089	M. RFC	10uH			LAP02TA100K	L1790058	
L 1090	COIL				6. 5T3. ODO. 6UEW R	L0021815A	
L 1091	COIL				5. 5T3. ODO. 6UEW R	L0021814A	
L 1093	M. RFC	10uH			LAP02TA100K	L1790058	
L 1095	COIL	0. 28uH			0. 280U T25-6	L0020927	
L 1096	COIL	0. 24uH			0. 240U T25-6	L0021222	
L 1097	M. RFC	100uH			LAP02TA101K	L1790070	
L 1099	M. RFC	100uH			LAP02TA101K	L1790070	
L 1100	M. RFC	100uH			LAP02TA101K	L1790070	
L 1102	M. RFC	1mH			LAL03VB102K	L1790164	
L 1103	M. RFC	10uH			LAP02TA100K	L1790058	
L 1106	M. RFC	1uH			LAP02TA1ROK	L1790046	
L 1107	M. RFC	1uH			LAP02TA1ROK	L1790046	
L 1108	COIL				6. 5T3. 5DO. 6UEW R	L0021821A	
L 1109	M. RFC	1mH			LAL03NA102K	L1190189	
Q 1001	IC				MC14020BCP	G1090447	
Q 1002	TRANSISTOR				FA1A4P-T2B	G3070006	
Q 1003	TRANSISTOR				2SC2712GR TE85R	G3327127G	
Q 1004	IC				UPD74HC238C	G1090979	
Q 1005	IC				UPD74HC238C	G1090979	
Q 1006	IC				M54564P	G1090836	
Q 1007	IC				M54564P	G1090836	
Q 1008	TRANSISTOR				FA1A4P-T2B	G3070006	
Q 1009	FET				J310	G3090105	
Q 1010	FET				J310	G3090105	
Q 1011	TRANSISTOR				FN1A4P-T2B	G3070011	
Q 1012	TRANSISTOR				FN1A4P-T2B	G3070011	
Q 1013	TRANSISTOR				2SA1162GR TE85R	G3111627G	
Q 1014	TRANSISTOR				2SC2712GR TE85R	G3327127G	
Q 1015	FET				J310	G3090105	
Q 1016	FET				J310	G3090105	
Q 1017	FET				J310	G3090105	
Q 1018	FET				J310	G3090105	
Q 1019	FET				3SK74L	G4800740L	
Q 1020	TRANSISTOR				2SC2053	G3320530	
Q 1021	FET				J310	G3090105	
Q 1022	TRANSISTOR				2SC2026	G3320260	
Q 1023	TRANSISTOR				2SC2712GR TE85R	G3327127G	
Q 1024	TRANSISTOR				2SC2026	G3320260	
Q 1025	TRANSISTOR				2SC1973	G3319730	
Q 1026	TRANSISTOR				FA1A4P-T2B	G3070006	
Q 1027	IC				UPC78L05J	G1090848	
Q 1028	TRANSISTOR				FA1A4P-T2B	G3070006	
Q 1029	TRANSISTOR				FA1A4P-T2B	G3070006	
Q 1030	IC				MC14011BCP	G1090068	
Q 1031	TRANSISTOR				FN1A4P-T2B	G3070011	
Q 1032	TRANSISTOR				FA1A4P-T2B	G3070006	

RF Unit Parts List

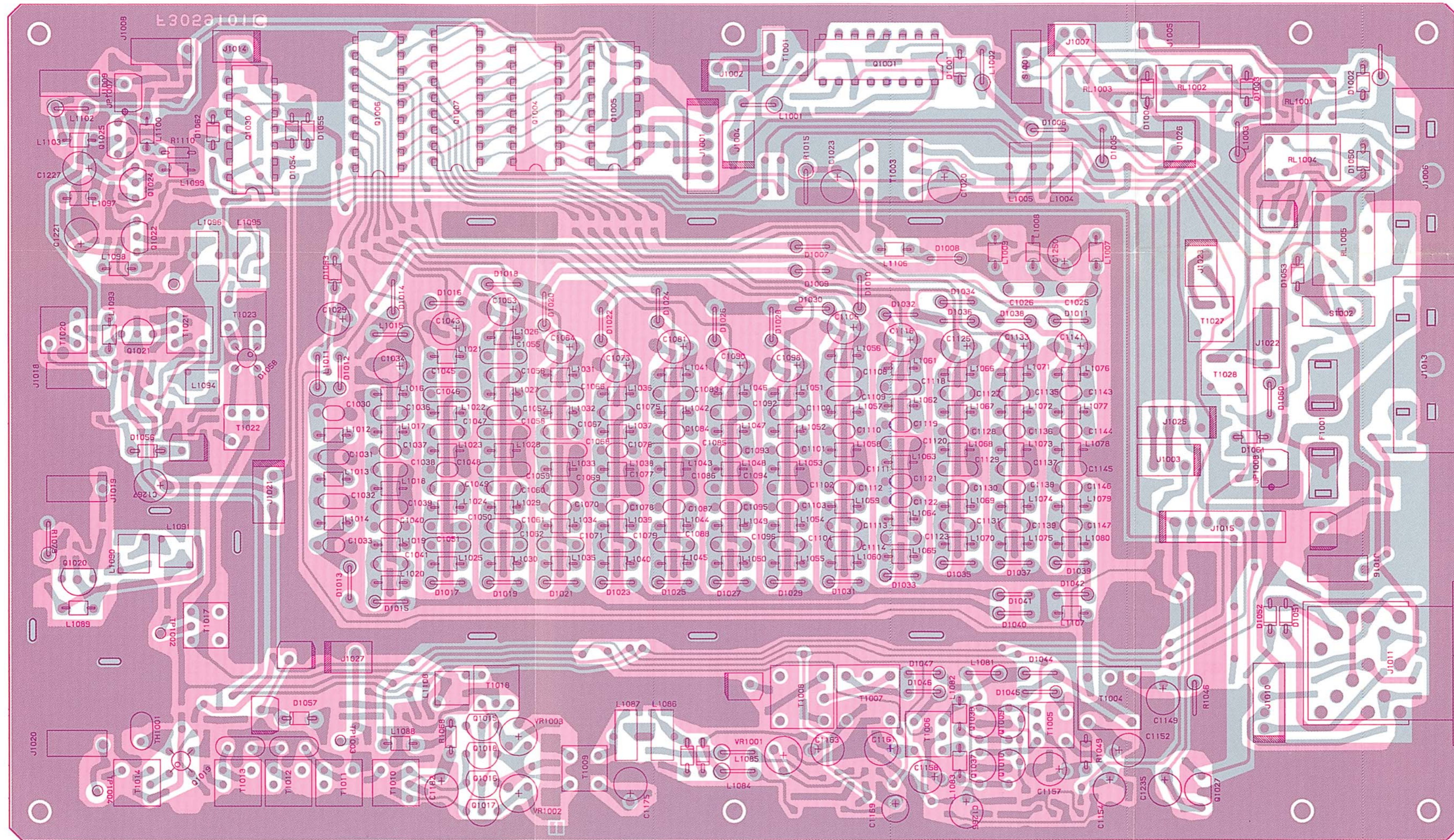
REF.	DESCRIPTION	VALUE	WV	TOL.	MFGR'S DESIG	YAESU P/N	VERS.
Q 1033	FET				2SK302GR TE85R	G3803027G	
Q 1034	FET				2SK302GR TE85R	G3803027G	
Q 1036	FET				J310	G3090105	
Q 1037	FET				J310	G3090105	
R 1001	CHIP RES.	10K	1/10W	5%	RMC1/10T 103J	J24205103	
R 1002	CHIP RES.	10K	1/10W	5%	RMC1/10T 103J	J24205103	
R 1003	CHIP RES.	4.7K	1/10W	5%	RMC1/10T 472J	J24205472	
R 1004	CHIP RES.	22K	1/10W	5%	RMC1/10T 223J	J24205223	
R 1005	CHIP RES.	10K	1/10W	5%	RMC1/10T 103J	J24205103	
R 1006	CHIP RES.	68	1/10W	5%	RMC1/10T 680J	J24205680	
R 1007	CHIP RES.	150	1/10W	5%	RMC1/10T 151J	J24205151	
R 1008	CHIP RES.	100	1/10W	5%	RMC1/10T 101J	J24205101	
R 1009	CHIP RES.	47	1/10W	5%	RMC1/10T 470J	J24205470	
R 1010	CHIP RES.	10K	1/10W	5%	RMC1/10T 103J	J24205103	
R 1011	CHIP RES.	470	1/10W	5%	RMC1/10T 471J	J24205471	
R 1012	CHIP RES.	10K	1/10W	5%	RMC1/10T 103J	J24205103	
R 1014	CHIP RES.	10K	1/10W	5%	RMC1/10T 103J	J24205103	
R 1015	CARBON FILM RES.	330	1/4W	5%	RD25UJ331T 330	J06245331	
R 1016	CHIP RES.	33	1/10W	5%	RMC1/10T 330J	J24205330	
R 1017	CHIP RES.	100	1/10W	5%	RMC1/10T 101J	J24205101	
R 1018	CHIP RES.	150	1/10W	5%	RMC1/10T 151J	J24205151	
R 1019	CHIP RES.	100	1/10W	5%	RMC1/10T 101J	J24205101	
R 1020	CHIP RES.	33	1/10W	5%	RMC1/10T 330J	J24205330	
R 1021	CHIP RES.	100	1/10W	5%	RMC1/10T 101J	J24205101	
R 1022	CHIP RES.	33	1/10W	5%	RMC1/10T 330J	J24205330	
R 1023	CHIP RES.	100	1/10W	5%	RMC1/10T 101J	J24205101	
R 1024	CHIP RES.	33	1/10W	5%	RMC1/10T 330J	J24205330	
R 1025	CHIP RES.	100	1/10W	5%	RMC1/10T 101J	J24205101	
R 1026	CHIP RES.	33	1/10W	5%	RMC1/10T 330J	J24205330	
R 1027	CHIP RES.	100	1/10W	5%	RMC1/10T 101J	J24205101	
R 1028	CHIP RES.	33	1/10W	5%	RMC1/10T 330J	J24205330	
R 1029	CHIP RES.	100	1/10W	5%	RMC1/10T 101J	J24205101	
R 1030	CHIP RES.	33	1/10W	5%	RMC1/10T 330J	J24205330	
R 1031	CHIP RES.	100	1/10W	5%	RMC1/10T 101J	J24205101	
R 1032	CHIP RES.	33	1/10W	5%	RMC1/10T 330J	J24205330	
R 1033	CHIP RES.	100	1/10W	5%	RMC1/10T 101J	J24205101	
R 1034	CHIP RES.	33	1/10W	5%	RMC1/10T 330J	J24205330	
R 1035	CHIP RES.	100	1/10W	5%	RMC1/10T 101J	J24205101	
R 1036	CHIP RES.	33	1/10W	5%	RMC1/10T 330J	J24205330	
R 1037	CHIP RES.	100	1/10W	5%	RMC1/10T 101J	J24205101	
R 1038	CHIP RES.	33	1/10W	5%	RMC1/10T 330J	J24205330	
R 1039	CHIP RES.	100	1/10W	5%	RMC1/10T 101J	J24205101	
R 1040	CHIP RES.	33	1/10W	5%	RMC1/10T 330J	J24205330	
R 1041	CHIP RES.	100	1/10W	5%	RMC1/10T 101J	J24205101	
R 1042	CHIP RES.	33	1/10W	5%	RMC1/10T 330J	J24205330	
R 1043	CHIP RES.	100	1/10W	5%	RMC1/10T 101J	J24205101	
R 1044	CHIP RES.	33	1/10W	5%	RMC1/10T 330J	J24205330	
R 1045	CHIP RES.	100	1/10W	5%	RMC1/10T 101J	J24205101	
R 1046	CARBON FILM RES.	220	1/4W	5%	RD25UJ221T 220	J06245221	
R 1047	CHIP RES.	470	1/10W	5%	RMC1/10T 471J	J24205471	
R 1048	CHIP RES.	390	1/10W	5%	RMC1/10T 391J	J24205391	
R 1049	CARBON FILM RES.	22	1/6W	5%	RD16TPJ220 22	J07225220	
R 1050	CHIP RES.	15	1/10W	5%	RMC1/10T 150J	J24205150	
R 1051	CHIP RES.	220	1/10W	5%	RMC1/10T 221J	J24205221	
R 1052	CHIP RES.	470	1/10W	5%	RMC1/10T 471J	J24205471	
R 1053	CHIP RES.	100	1/10W	5%	RMC1/10T 101J	J24205101	
R 1054	CHIP RES.	100	1/10W	5%	RMC1/10T 101J	J24205101	
R 1055	CHIP RES.	10K	1/10W	5%	RMC1/10T 103J	J24205103	
R 1056	CHIP RES.	10K	1/10W	5%	RMC1/10T 103J	J24205103	
R 1057	CHIP RES.	10K	1/10W	5%	RMC1/10T 103J	J24205103	
R 1058	CHIP RES.	47	1/10W	5%	RMC1/10T 470J	J24205470	
R 1059	CHIP RES.	22K	1/10W	5%	RMC1/10T 223J	J24205223	
R 1060	CHIP RES.	3.3K	1/10W	5%	RMC1/10T 332J	J24205332	
R 1061	CHIP RES.	10K	1/10W	5%	RMC1/10T 103J	J24205103	
R 1062	CHIP RES.	2.2K	1/10W	5%	RMC1/10T 222J	J24205222	
R 1063	CHIP RES.	47	1/10W	5%	RMC1/10T 470J	J24205470	
R 1064	CHIP RES.	680	1/10W	5%	RMC1/10T 681J	J24205681	
R 1065	CHIP RES.	680	1/10W	5%	RMC1/10T 681J	J24205681	
R 1066	CHIP RES.	680	1/10W	5%	RMC1/10T 681J	J24205681	
R 1067	CHIP RES.	680	1/10W	5%	RMC1/10T 681J	J24205681	

RF Unit Parts List

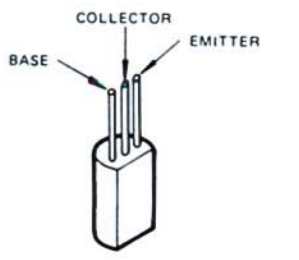
REF.	DESCRIPTION	VALUE	WV	TOL.	MFGR'S DESIG	YAESU P/N	VERS.
R 1068	CARBON FILM RES.	15	1/6W	5%	RD16TPJ150 15	J07225150	
R 1069	CHIP RES.	47K	1/10W	5%	RMC1/10T 473J	J24205473	
R 1070	CHIP RES.	18K	1/10W	5%	RMC1/10T 183J	J24205183	
R 1071	CHIP RES.	100K	1/10W	5%	RMC1/10T 104J	J24205104	
R 1072	CHIP RES.	1.5K	1/10W	5%	RMC1/10T 152J	J24205152	
R 1073	CHIP RES.	470K	1/10W	5%	RMC1/10T 474J	J24205474	
R 1074	CHIP RES.	10K	1/10W	5%	RMC1/10T 103J	J24205103	
R 1075	CHIP RES.	100	1/10W	5%	RMC1/10T 101J	J24205101	
R 1076	CHIP RES.	680	1/10W	5%	RMC1/10T 681J	J24205681	
R 1077	CHIP RES.	470	1/10W	5%	RMC1/10T 471J	J24205471	
R 1078	CHIP RES.	4.7	1/10W	5%	RMC1/10T 4R7J	J24205479	
R 1079	CARBON FILM RES.	100	1/4W	5%	RD14SJ101 100	J02245101	
R 1083	CHIP RES.	180	1/10W	5%	RMC1/10T 181J	J24205181	
R 1084	CHIP RES.	10K	1/10W	5%	RMC1/10T 103J	J24205103	
R 1085	CHIP RES.	100K	1/10W	5%	RMC1/10T 104J	J24205104	
R 1086	CHIP RES.	100K	1/10W	5%	RMC1/10T 104J	J24205104	
R 1087	CHIP RES.	47	1/10W	5%	RMC1/10T 470J	J24205470	
R 1088	CHIP RES.	100	1/10W	5%	RMC1/10T 101J	J24205101	
R 1089	CHIP RES.	100K	1/10W	5%	RMC1/10T 104J	J24205104	
R 1090	CHIP RES.	100K	1/10W	5%	RMC1/10T 104J	J24205104	
R 1091	CHIP RES.	100	1/10W	5%	RMC1/10T 101J	J24205101	
R 1092	CHIP RES.	10	1/10W	5%	RMC1/10T 100J	J24205100	
R 1093	CHIP RES.	150	1/10W	5%	RMC1/10T 151J	J24205151	
R 1094	CHIP RES.	10	1/10W	5%	RMC1/10T 100J	J24205100	
R 1095	CHIP RES.	10	1/10W	5%	RMC1/10T 100J	J24205100	
R 1096	CHIP RES.	150	1/10W	5%	RMC1/10T 151J	J24205151	
R 1097	CHIP RES.	10	1/10W	5%	RMC1/10T 100J	J24205100	
R 1099	CHIP RES.	470	1/10W	5%	RMC1/10T 471J	J24205471	
R 1100	CHIP RES.	3.3K	1/10W	5%	RMC1/10T 332J	J24205332	
R 1101	CHIP RES.	1K	1/10W	5%	RMC1/10T 102J	J24205102	
R 1102	CHIP RES.	150	1/10W	5%	RMC1/10T 151J	J24205151	
R 1103	CHIP RES.	2.2K	1/10W	5%	RMC1/10T 222J	J24205222	
R 1104	CHIP RES.	47	1/10W	5%	RMC1/10T 470J	J24205470	
R 1105	CHIP RES.	4.7K	1/10W	5%	RMC1/10T 472J	J24205472	
R 1106	CHIP RES.	47	1/10W	5%	RMC1/10T 470J	J24205470	
R 1107	CHIP RES.	560	1/10W	5%	RMC1/10T 561J	J24205561	
R 1108	CHIP RES.	22K	1/10W	5%	RMC1/10T 223J	J24205223	
R 1110	CARBON FILM RES.	220	1/2W	5%	RD12TJ221 220	J01275221	
R 1111	CHIP RES.	2.2K	1/10W	5%	RMC1/10T 222J	J24205222	
R 1112	CHIP RES.	56	1/10W	5%	RMC1/10T 560J	J24205560	
R 1113	CHIP RES.	1K	1/10W	5%	RMC1/10T 102J	J24205102	
R 1114	CHIP RES.	1K	1/10W	5%	RMC1/10T 102J	J24205102	
R 1115	CHIP RES.	1K	1/10W	5%	RMC1/10T 102J	J24205102	
R 1116	CHIP RES.	1K	1/10W	5%	RMC1/10T 102J	J24205102	
R 1117	CHIP RES.	10K	1/10W	5%	RMC1/10T 103J	J24205103	
R 1118	CHIP RES.	10K	1/10W	5%	RMC1/10T 103J	J24205103	
R 1119	CHIP RES.	1K	1/10W	5%	RMC1/10T 102J	J24205102	
R 1120	CHIP RES.	100K	1/10W	5%	RMC1/10T 104J	J24205104	
R 1121	CHIP RES.	10K	1/10W	5%	RMC1/10T 103J	J24205103	
R 1122	CHIP RES.	10K	1/10W	5%	RMC1/10T 103J	J24205103	
R 1123	CHIP RES.	10K	1/10W	5%	RMC1/10T 103J	J24205103	
R 1124	CHIP RES.	0	1/10W	5%	RMC1/10T 000J	J24205000	
R 1125	CHIP RES.	100K	1/10W	5%	RMC1/10T 104J	J24205104	
R 1126	CHIP RES.	47	1/10W	5%	RMC1/10T 470J	J24205470	
R 1127	CHIP RES.	10K	1/10W	5%	RMC1/10T 103J	J24205103	
R 1128	CHIP RES.	47	1/10W	5%	RMC1/10T 470J	J24205470	
R 1129	CHIP RES.	0	1/10W	5%	RMC1/10T 000J	J24205000	
R 1130	CHIP RES.	100K	1/10W	5%	RMC1/10T 104J	J24205104	
R 1131	CHIP RES.	10K	1/10W	5%	RMC1/10T 103J	J24205103	
R 1132	CHIP RES.	100	1/10W	5%	RMC1/10T 101J	J24205101	
R 1133	CHIP RES.	0	1/10W	5%	RMC1/10T 000J	J24205000	
R 1135	CHIP RES.	220	1/10W	5%	RMC1/10T 221J	J24205221	
R 1136	CHIP RES.	22	1/10W	5%	RMC1/10T 220J	J24205220	
R 1137	CHIP RES.	220	1/10W	5%	RMC1/10T 221J	J24205221	
R 1138	CHIP RES.	33	1/10W	5%	RMC1/10T 330J	J24205330	
R 1139	CHIP RES.	470	1/10W	5%	RMC1/10T 471J	J24205471	
R 1140	CHIP RES.	470	1/10W	5%	RMC1/10T 471J	J24205471	
R 1141	CHIP RES.	56	1/10W	5%	RMC1/10T 560J	J24205560	
R 1142	CHIP RES.	390	1/10W	5%	RMC1/10T 391J	J24205391	
R 1143	CHIP RES.	1K	1/10W	5%	RMC1/10T 102J	J24205102	
R 1144	CHIP RES.	2.2K	1/10W	5%	RMC1/10T 222J	J24205222	

RF Unit Parts List

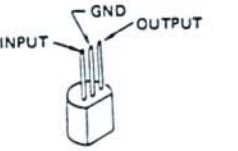
REF.	DESCRIPTION	VALUE	WV	TOL.	MFGR'S DESIG	YAESU P/N	VERS.
R 1145	CHIP RES.	2.2K	1/10W	5%	RMC1/10T 222J	J24205222	
R 1146	CHIP RES.	470	1/10W	5%	RMC1/10T 471J	J24205471	
R 1147	CHIP RES.	47K	1/10W	5%	RMC1/10T 473J	J24205473	
R 1148	CHIP RES.	1K	1/10W	5%	RMC1/10T 102J	J24205102	
R 1149	CHIP RES.	15K	1/10W	5%	RMC1/10T 153J	J24205153	
R 1150	CHIP RES.	1K	1/10W	5%	RMC1/10T 102J	J24205102	
R 1151	CHIP RES.	1K	1/10W	5%	RMC1/10T 102J	J24205102	
R 1152	CHIP RES.	56	1/10W	5%	RMC1/10T 560J	J24205560	
R 1153	CHIP RES.	10K	1/10W	5%	RMC1/10T 103J	J24205103	
R 1154	CHIP RES.	68	1/10W	5%	RMC1/10T 680J	J24205680	
R 1155	CHIP RES.	10	1/10W	5%	RMC1/10T 100J	J24205100	
R 1156	CHIP RES.	10	1/10W	5%	RMC1/10T 100J	J24205100	
R 1157	CHIP RES.	150	1/10W	5%	RMC1/10T 151J	J24205151	
R 1158	CHIP RES.	1M	1/10W	5%	RMC1/10T 105J	J24205105	
R 1159	CHIP RES.	1M	1/10W	5%	RMC1/10T 105J	J24205105	
R 1160	CARBON FILM RES.	470	1/6W	5%	RD16PJ471 470	J01225471	
R 1161	CARBON FILM RES.	150	1/4W	5%	RD14TJ151 150	J01245151	
R 1162	CARBON FILM RES.	39	1/6W	5%	RD16PJ390 39	J01225390	
RL1001	RELAY		DC12V		AG4013	M1190090	
RL1002	RELAY		DC12V		AG4013	M1190090	
RL1003	RELAY		DC12V		AG4013	M1190090	
RL1004	RELAY		DC12V		AG4013	M1190090	
RL1005	RELAY		DC12V		AG2013	M1190045	
S 1001	SLIDE SWITCH				SS912L4NS	N6090066	
S 1002	SLIDE SWITCH				SS912L4NS	N6090066	
T 1001	COIL					L0021484	
T 1003	COIL				4-1 2001F	L0020883	
T 1004	COIL				4-1 2001F	L0020883	
T 1005	COIL				- 2001F	L0021974	
T 1006	COIL				- 2001F	L0021973	
T 1007	COIL				9-1 2001F	L0021605	
T 1008	COIL					L0021959	
T 1009	COIL				4-1 2D3 TR6X3	L0020788A	
T 1010	COIL	73.62MHz			73.62M R12-J757A	L0021957	
T 1011	COIL	73.62MHz			73.62M S-135-214	L0021960	
T 1012	COIL	73.62MHz			73.62M S-135-214	L0021960	
T 1013	COIL	73.62MHz			73.62M S-135-214	L0021960	
T 1014	COIL	73.62MHz			73.62M R12-J757A	L0021957	
T 1017	COIL				4-1 2D3 TR6X3	L0020788A	
T 1018	07 WIDE TRANS				4-1 3A	L0021462	
T 1020	COIL				R12-J758A	L0021958	
T 1021	COIL	73.62MHz			73.62M R12-J757A	L0021957	
T 1022	COIL				4-1 2D3 TR6X3	L0020788A	
T 1023	COIL				4-1 2D3 TR6X3	L0020788A	
T 1027	COIL					L0021484	
T 1028	COIL					L0021484	
TH1001	THERMISTOR				112102-2	G9090008	
TP1002	TP-N IPS-1091				IPS-1091	Q5000082	
TP1003	TP-N IPS-1091				IPS-1091	Q5000082	
TP1004	TP-N IPS-1091				IPS-1091	Q5000082	
VR1001	POT.	3.3KB			H0651A010-3.3KB	J51745332	
VR1002	POT.	4.7KB			H0651A011-4.7KB	J51745472	
VR1003	POT.	4.7KB			H0651A011-4.7KB	J51745472	
XF1001	XTAL FILTER				73M12BU	H1102150	
	SHIELD CASE					R0106540	
	SHIELD CASE					R0131590A	
	SHIELD COVER					R0131600	



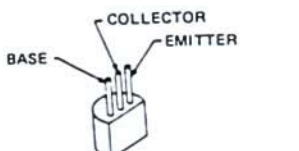
(obverse view of "component" side)



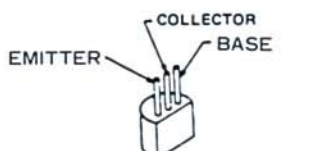
2SC1973 (Q1025)



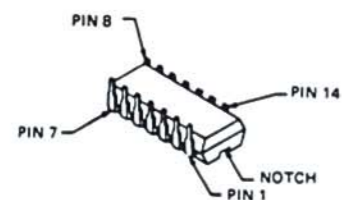
μPC78L05J (Q1027)



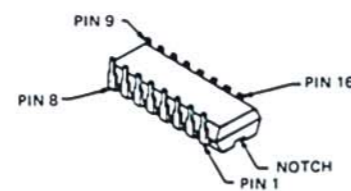
2SC2026 (Q1022, Q1024)



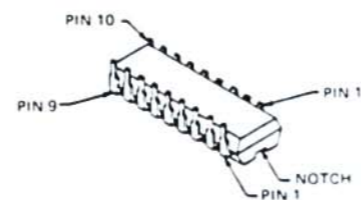
2SC2053 (Q1020)



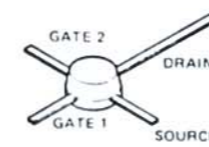
MC14011BCP (Q1030)



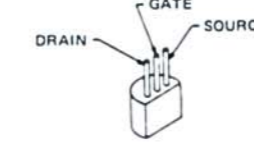
MC14020BCP (Q1001)
μPD74HC238C (Q1004, Q1005)



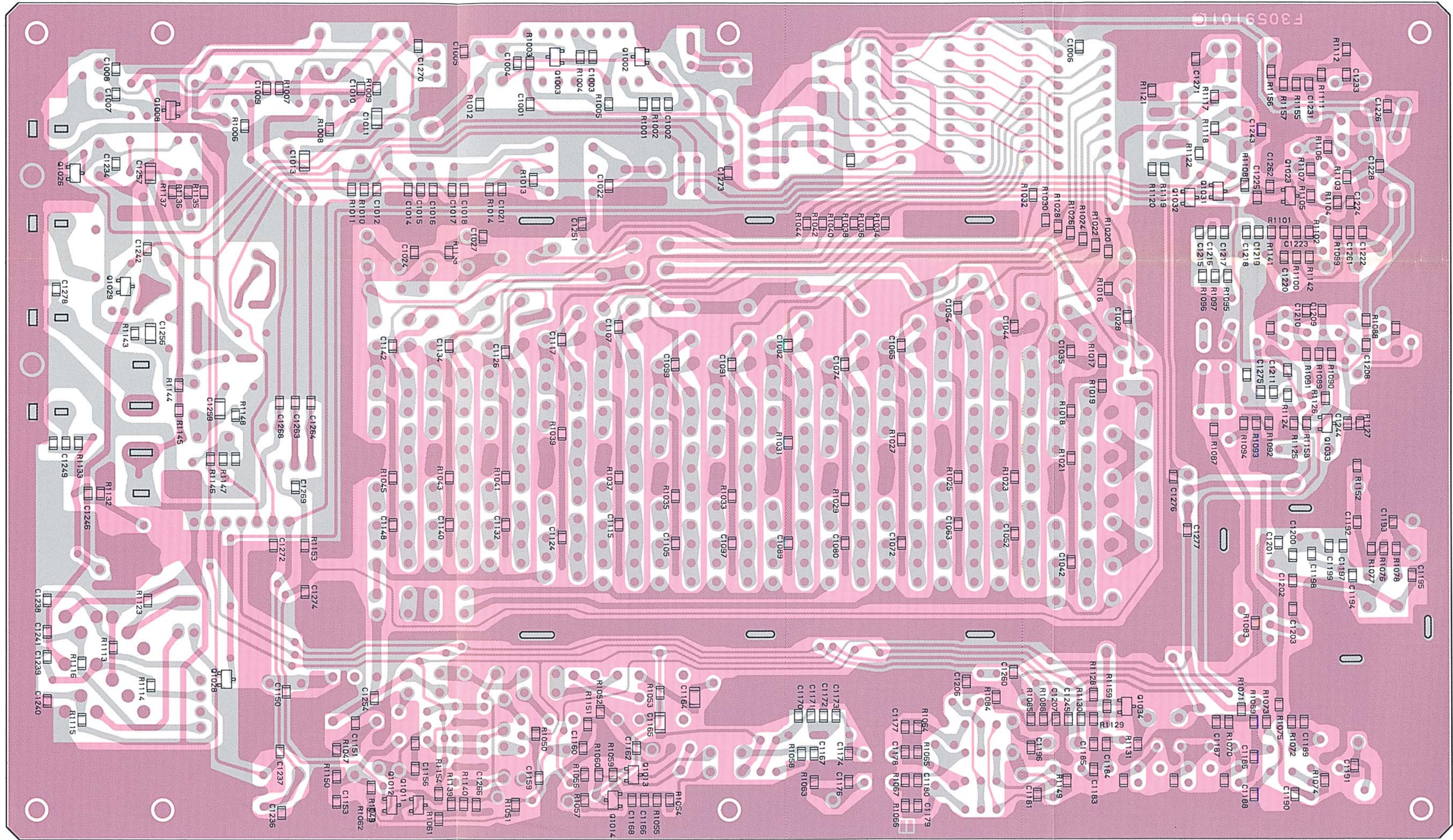
M54564P (Q1006, Q1007)



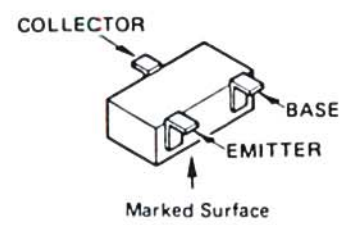
3SK74L (Q1019)



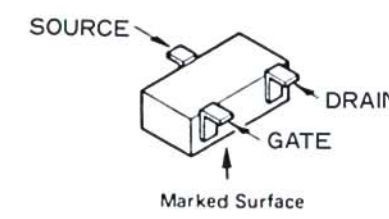
2SK125 (Q1009, Q1010, Q1015, Q1016, Q1017, Q1018, Q1021, Q1036, Q1037)



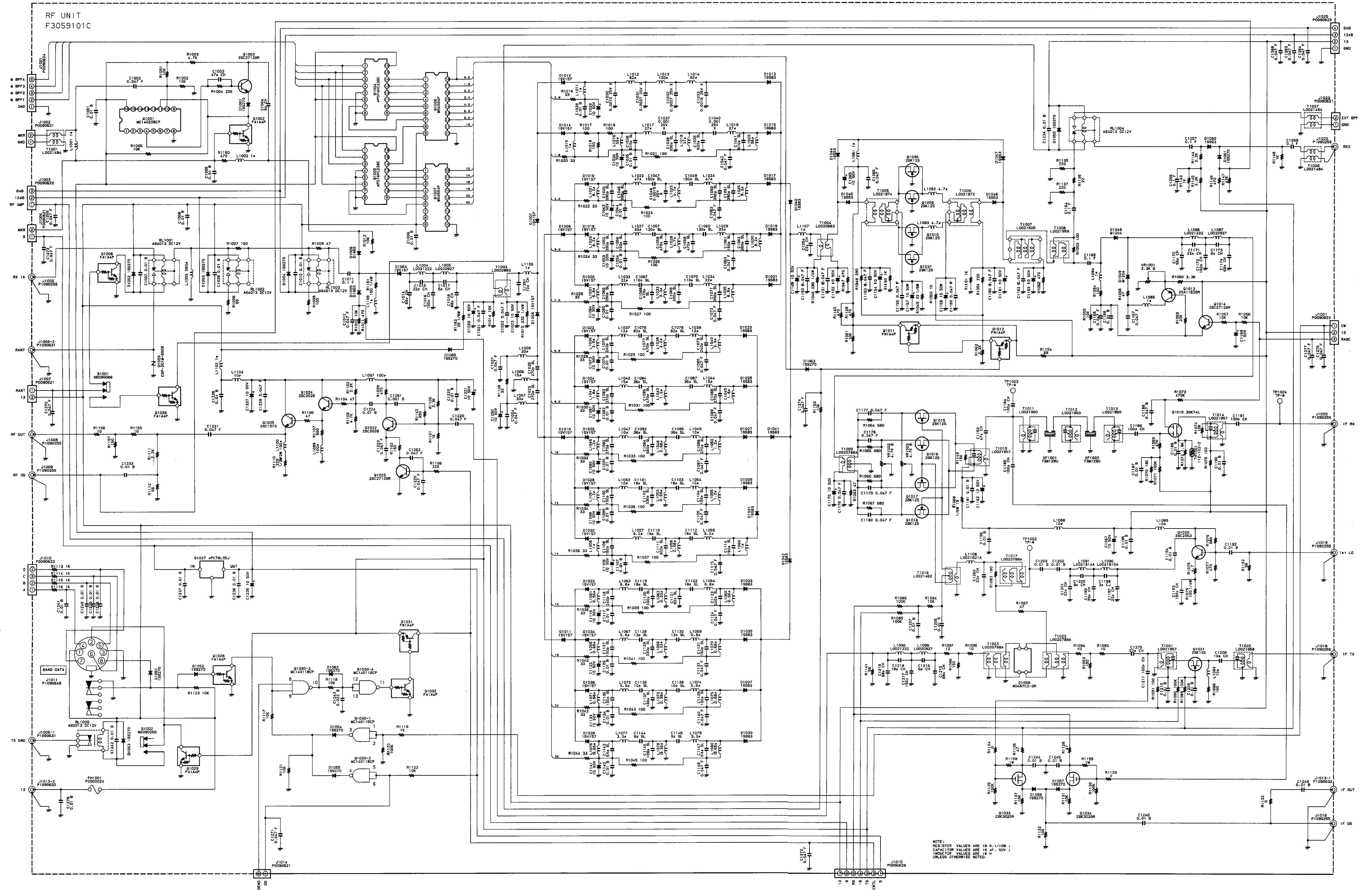
(obverse view of "chip-only" side)



- FA1A4P (L34)
(Q1002, Q1008, Q1026,
Q1028, Q1029, Q1032)
- FN1A4P (M34)
(Q1011, Q1012, Q1031)
- 2SA1162GR (SG)
(Q1013)
- 2SC2712GR (LG)
(Q1003, Q1014, Q1023)



- 2SK302GR (TGR)
(Q1033, Q1034)



NOTE:
 RESISTOR VALUES ARE IN Ω, 1/10W;
 CAPACITOR VALUES ARE IN μF, 50V;
 INDUCTOR VALUES ARE IN μH, 50V;
 UNLESS OTHERWISE NOTED.

IF Unit Parts List

REF.	DESCRIPTION	VALUE	WV	TOL.	MFR'S DESIG	YAESU P/N	VERS.
*** IF UNIT ***							
	PCB with Components(W/ XTAL Filter Unit)					CP2207003	*
	PCB with Components(W/ XTAL Filter Unit)					CP2207004	*
	PCB with Components(W/O XTAL Filter Unit)					CA0004003	*
	PCB with Components(W/O XTAL Filter Unit)					CA0004004	*
	Printed Circuit Board					F3060101C	
C 2001	CHIP CAP.	0.001uF	50V	B	GRM40B102M50PT	K22170805	
C 2002	CHIP CAP.	0.01uF	50V	B	GRM40B103M50PT	K22170817	
C 2003	CHIP CAP.	0.001uF	50V	B	GRM40B102M50PT	K22170805	
C 2004	CHIP CAP.	0.001uF	50V	B	GRM40B102M50PT	K22170805	
C 2005	CHIP CAP.	0.01uF	50V	B	GRM40B103M50PT	K22170817	
C 2006	CHIP CAP.	0.01uF	50V	B	GRM40B103M50PT	K22170817	
C 2007	CHIP CAP.	0.01uF	50V	B	GRM40B103M50PT	K22170817	
C 2008	CHIP CAP.	0.01uF	50V	B	GRM40B103M50PT	K22170817	
C 2009	CHIP CAP.	0.01uF	50V	B	GRM40B103M50PT	K22170817	
C 2010	CHIP CAP.	0.01uF	50V	B	GRM40B103M50PT	K22170817	
C 2011	CHIP CAP.	100pF	50V	CH	GRM40CH101J50PT	K22170235	
C 2012	CHIP CAP.	0.01uF	50V	B	GRM40B103M50PT	K22170817	
C 2013	CHIP CAP.	0.01uF	50V	B	GRM40B103M50PT	K22170817	
C 2014	CHIP CAP.	0.01uF	50V	B	GRM40B103M50PT	K22170817	
C 2015	CHIP CAP.	0.01uF	50V	B	GRM40B103M50PT	K22170817	
C 2016	CHIP CAP.	0.01uF	50V	B	GRM40B103M50PT	K22170817	
C 2017	CHIP CAP.	0.01uF	50V	B	GRM40B103M50PT	K22170817	
C 2018	CHIP CAP.	100pF	50V	CH	GRM40CH101J50PT	K22170235	
C 2019	CHIP CAP.	0.01uF	50V	B	GRM40B103M50PT	K22170817	
C 2020	CHIP CAP.	100pF	50V	CH	GRM40CH101J50PT	K22170235	
C 2021	CHIP CAP.	220pF	50V	CH	GRM40CH221J50PT	K22170243	
C 2022	CHIP CAP.	220pF	50V	CH	GRM40CH221J50PT	K22170243	
C 2023	AL. ELECTRO. CAP.	4.7uF	35V		35V4R7M4X7TR2	K46160004	
C 2024	AL. ELECTRO. CAP.	10uF	16V		16V100M4X7TR2	K46120004	
C 2025	CHIP CAP.	0.01uF	50V	B	GRM40B103M50PT	K22170817	
C 2026	AL. ELECTRO. CAP.	0.1uF	50V		50VR10M4X7TR2	K46170026	
C 2027	CHIP CAP.	0.01uF	50V	B	GRM40B103M50PT	K22170817	
C 2028	CHIP CAP.	0.01uF	50V	B	GRM40B103M50PT	K22170817	
C 2029	CHIP CAP.	0.01uF	50V	B	GRM40B103M50PT	K22170817	
C 2030	CHIP CAP.	0.01uF	50V	B	GRM40B103M50PT	K22170817	
C 2031	CHIP CAP.	0.01uF	50V	B	GRM40B103M50PT	K22170817	
C 2032	CHIP CAP.	10pF	50V	CH	GRM40CH100D50PT	K22170211	
C 2033	CHIP CAP.	0.01uF	50V	B	GRM40B103M50PT	K22170817	
C 2034	CHIP CAP.	10pF	50V	CH	GRM40CH100D50PT	K22170211	
C 2035	CHIP CAP.	0.01uF	50V	B	GRM40B103M50PT	K22170817	
C 2036	CHIP CAP.	0.01uF	50V	B	GRM40B103M50PT	K22170817	
C 2037	CHIP CAP.	0.01uF	50V	B	GRM40B103M50PT	K22170817	
C 2038	CHIP CAP.	0.01uF	50V	B	GRM40B103M50PT	K22170817	
C 2039	CHIP CAP.	0.01uF	50V	B	GRM40B103M50PT	K22170817	
C 2040	CERAMIC CAP.	0.047uF	50V	F	UP050F473Z-A-B	K28179002	
C 2041	CHIP CAP.	10pF	50V	CH	GRM40CH100D50PT	K22170211	
C 2045	CHIP CAP.	0.01uF	50V	B	GRM40B103M50PT	K22170817	
C 2046	CHIP CAP.	0.047uF	50V	F	GRM40F473Z50PT	K22171008	
C 2047	CHIP CAP.	0.01uF	50V	B	GRM40B103M50PT	K22170817	
C 2048	CHIP CAP.	0.01uF	50V	B	GRM40B103M50PT	K22170817	
C 2049	CHIP CAP.	0.01uF	50V	B	GRM40B103M50PT	K22170817	
C 2050	CHIP CAP.	0.01uF	50V	B	GRM40B103M50PT	K22170817	
C 2051	CHIP CAP.	0.047uF	50V	F	GRM40F473Z50PT	K22171008	
C 2052	CHIP CAP.	0.01uF	50V	B	GRM40B103M50PT	K22170817	
C 2053	CHIP CAP.	0.01uF	50V	B	GRM40B103M50PT	K22170817	
C 2054	CHIP CAP.	0.047uF	50V	F	GRM40F473Z50PT	K22171008	
C 2055	CHIP CAP.	0.047uF	50V	F	GRM40F473Z50PT	K22171008	
C 2056	CHIP CAP.	0.01uF	50V	B	GRM40B103M50PT	K22170817	
C 2057	CHIP CAP.	0.01uF	50V	B	GRM40B103M50PT	K22170817	
C 2058	CHIP CAP.	0.047uF	50V	F	GRM40F473Z50PT	K22171008	
C 2059	CHIP CAP.	0.047uF	50V	F	GRM40F473Z50PT	K22171008	
C 2060	CHIP CAP.	0.01uF	50V	B	GRM40B103M50PT	K22170817	
C 2061	CHIP CAP.	0.01uF	50V	B	GRM40B103M50PT	K22170817	
C 2062	CHIP CAP.	0.047uF	50V	F	GRM40F473Z50PT	K22171008	
C 2063	CHIP CAP.	0.047uF	50V	F	GRM40F473Z50PT	K22171008	
C 2064	CHIP CAP.	0.01uF	50V	B	GRM40B103M50PT	K22170817	
C 2065	CHIP CAP.	0.01uF	50V	B	GRM40B103M50PT	K22170817	

IF Unit Parts List

REF.	DESCRIPTION	VALUE	WV	TOL.	MFGR'S DESIG	YAESU P/N	VERS.
C 2066	CHIP CAP.	0.047uF	50V	F	GRM40F473Z50PT	K22171008	
C 2067	CHIP CAP.	0.047uF	50V	F	GRM40F473Z50PT	K22171008	
C 2068	CHIP CAP.	0.01uF	50V	B	GRM40B103M50PT	K22170817	
C 2069	CHIP CAP.	0.01uF	50V	B	GRM40B103M50PT	K22170817	
C 2070	CHIP CAP.	0.047uF	50V	F	GRM40F473Z50PT	K22171008	
C 2071	CHIP CAP.	0.047uF	50V	F	GRM40F473Z50PT	K22171008	
C 2072	CHIP CAP.	0.047uF	50V	F	GRM40F473Z50PT	K22171008	
C 2073	CHIP CAP.	0.1uF	25V	B	GRM42-6B104M25PT	K22141809	
C 2074	CHIP CAP.	0.01uF	50V	B	GRM40B103M50PT	K22170817	
C 2075	CHIP CAP.	0.047uF	50V	F	GRM40F473Z50PT	K22171008	
C 2076	CHIP CAP.	0.047uF	50V	F	GRM40F473Z50PT	K22171008	
C 2077	CHIP CAP.	0.047uF	50V	F	GRM40F473Z50PT	K22171008	
C 2078	CHIP CAP.	0.047uF	50V	F	GRM40F473Z50PT	K22171008	
C 2079	CHIP CAP.	0.01uF	50V	B	GRM40B103M50PT	K22170817	
C 2080	CHIP CAP.	0.01uF	50V	B	GRM40B103M50PT	K22170817	
C 2081	AL. ELECTRO. CAP.	1uF	50V		50V010M4X7TR2	K46170030	
C 2082	CHIP CAP.	0.047uF	50V	F	GRM40F473Z50PT	K22171008	
C 2083	CHIP CAP.	0.01uF	50V	B	GRM40B103M50PT	K22170817	
C 2084	AL. ELECTRO. CAP.	1uF	50V		50V010M4X7TR2	K46170030	
C 2085	CHIP CAP.	0.047uF	50V	F	GRM40F473Z50PT	K22171008	
C 2086	STYROL CAP.	0.0018	50V		SRA182J50	K51170003	
C 2087	STYROL CAP.	0.0018	50V		SRA182J50	K51170003	
C 2088	CERAMIC CAP.	0.1uF	25V	X	UAT10X104K-L45AE	K19149025	
C 2089	CHIP CAP.	0.047uF	50V	F	GRM40F473Z50PT	K22171008	
C 2091	CHIP CAP.	0.047uF	50V	F	GRM40F473Z50PT	K22171008	
C 2092	CHIP CAP.	0.047uF	50V	F	GRM40F473Z50PT	K22171008	
C 2093	CHIP CAP.	0.01uF	50V	B	GRM40B103M50PT	K22170817	
C 2094	AL. ELECTRO. CAP.	1uF	50V		50V010M4X7TR2	K46170030	
C 2095	CHIP CAP.	0.047uF	50V	F	GRM40F473Z50PT	K22171008	
C 2096	CHIP CAP.	0.001uF	50V	B	GRM40B102M50PT	K22170805	
C 2097	CHIP CAP.	47pF	50V	CH	GRM40CH470J50PT	K22170227	
C 2098	CHIP CAP.	0.001uF	50V	B	GRM40B102M50PT	K22170805	
C 2099	CHIP CAP.	0.047uF	50V	F	GRM40F473Z50PT	K22171008	
C 2100	CHIP CAP.	0.047uF	50V	F	GRM40F473Z50PT	K22171008	
C 2101	AL. ELECTRO. CAP.	1uF	50V		50V010M4X7TR2	K46170030	
C 2102	CHIP CAP.	0.01uF	50V	B	GRM40B103M50PT	K22170817	
C 2103	AL. ELECTRO. CAP.	1uF	50V		50V010M4X7TR2	K46170030	
C 2104	CHIP CAP.	0.001uF	50V	B	GRM40B102M50PT	K22170805	
C 2105	CHIP CAP.	0.01uF	50V	B	GRM40B103M50PT	K22170817	
C 2106	AL. ELECTRO. CAP.	3.3uF	50V		50V3R3M4X7TR2	K46170032	
C 2107	CHIP CAP.	100pF	50V	CH	GRM40CH101J50PT	K22170235	
C 2108	CHIP CAP.	0.01uF	50V	B	GRM40B103M50PT	K22170817	
C 2109	CHIP CAP.	0.01uF	50V	B	GRM40B103M50PT	K22170817	
C 2110	CHIP CAP.	0.1uF	25V	B	GRM42-6B104M25PT	K22141809	
C 2111	CERAMIC CAP.	0.001uF	25V	X	UAT04X102K-LO5AE	K19149001	
C 2112	CERAMIC CAP.	0.001uF	25V	X	UAT04X102K-LO5AE	K19149001	
C 2113	CHIP CAP.	0.001uF	50V	B	GRM40B102M50PT	K22170805	
C 2114	CHIP CAP.	120pF	50V	CH	GRM40CH121J50PT	K22170237	
C 2115	CHIP CAP.	0.1uF	25V	B	GRM42-6B104M25PT	K22141809	
C 2116	CHIP CAP.	0.01uF	50V	B	GRM40B103M50PT	K22170817	
C 2117	AL. ELECTRO. CAP.	4.7uF	35V		35V4R7M4X7TR2	K46160004	
C 2118	AL. ELECTRO. CAP.	2.2uF	50V		50V2R2M4X7TR2	K46170031	
C 2119	AL. ELECTRO. CAP.	0.47uF	50V		50VR47M4X7TR2	K46170029	
C 2121	CHIP CAP.	0.1uF	25V	B	GRM42-6B104M25PT	K22141809	
C 2122	CHIP CAP.	0.1uF	25V	B	GRM42-6B104M25PT	K22141809	
C 2123	CHIP CAP.	470pF	50V	CH	GRM40CH471J50PT	K22170251	
C 2124	CHIP CAP.	0.1uF	25V	B	GRM42-6B104M25PT	K22141809	
C 2125	CHIP CAP.	0.0047uF	50V	B	GRM40B472M50PT	K22170813	
C 2126	AL. ELECTRO. CAP.	1uF	50V		50V010M4X7TR2	K46170030	
C 2127	AL. ELECTRO. CAP.	100uF	16V		16V101M6X7TR2	K46120007	
C 2128	AL. ELECTRO. CAP.	22uF	16V		16V220M5X7TR2	K46120005	
C 2129	CHIP CAP.	220pF	50V	CH	GRM40CH221J50PT	K22170243	
C 2130	CHIP CAP.	0.001uF	50V	B	GRM40B102M50PT	K22170805	
C 2131	CHIP CAP.	100pF	50V	CH	GRM40CH101J50PT	K22170235	
C 2132	CHIP CAP.	0.047uF	50V	F	GRM40F473Z50PT	K22171008	
C 2133	AL. ELECTRO. CAP.	1uF	50V		50V010M4X7TR2	K46170030	
C 2134	AL. ELECTRO. CAP.	1uF	50V		50V010M4X7TR2	K46170030	
C 2136	CHIP CAP.	22pF	50V	CH	GRM40CH220J50PT	K22170219	
C 2137	CHIP CAP.	1pF	50V	CK	GRM40CK010C50PT	K22170202	
C 2138	CHIP CAP.	0.01uF	50V	B	GRM40B103M50PT	K22170817	
C 2139	CHIP CAP.	0.001uF	50V	B	GRM40B102M50PT	K22170805	
C 2140	CHIP CAP.	0.001uF	50V	B	GRM40B102M50PT	K22170805	
C 2141	CHIP CAP.	0.047uF	50V	F	GRM40F473Z50PT	K22171008	
C 2142	CHIP CAP.	0.01uF	50V	B	GRM40B103M50PT	K22170817	
C 2143	CHIP CAP.	0.01uF	50V	B	GRM40B103M50PT	K22170817	

IF Unit Parts List

REF.	DESCRIPTION	VALUE	WV	TOL.	MFGR'S DESIG	YAESU P/N	VERS.
C 2144	CHIP CAP.	0.01uF	50V	B	GRM40B103M50PT	K22170817	
C 2145	CHIP CAP.	0.01uF	50V	B	GRM40B103M50PT	K22170817	
C 2146	CHIP CAP.	0.047uF	50V	F	GRM40F473Z50PT	K22171008	
C 2147	CHIP CAP.	0.01uF	50V	B	GRM40B103M50PT	K22170817	
C 2148	CHIP CAP.	33pF	50V	CH	GRM40CH330J50PT	K22170223	
C 2149	CHIP CAP.	0.01uF	50V	B	GRM40B103M50PT	K22170817	
C 2150	CHIP CAP.	0.01uF	50V	B	GRM40B103M50PT	K22170817	
C 2151	CHIP CAP.	0.01uF	50V	B	GRM40B103M50PT	K22170817	
C 2152	CHIP CAP.	0.01uF	50V	B	GRM40B103M50PT	K22170817	
C 2153	CHIP CAP.	0.047uF	50V	F	GRM40F473Z50PT	K22171008	
C 2154	CHIP CAP.	0.047uF	50V	F	GRM40F473Z50PT	K22171008	
C 2155	CHIP CAP.	0.047uF	50V	F	GRM40F473Z50PT	K22171008	
C 2156	CHIP CAP.	0.01uF	50V	B	GRM40B103M50PT	K22170817	
C 2157	CHIP CAP.	0.001uF	50V	B	GRM40B102M50PT	K22170805	
C 2158	CHIP CAP.	0.01uF	50V	B	GRM40B103M50PT	K22170817	
C 2159	CHIP CAP.	0.001uF	50V	B	GRM40B102M50PT	K22170805	
C 2160	CHIP CAP.	0.01uF	50V	B	GRM40B103M50PT	K22170817	
C 2161	AL. ELECTRO. CAP.	1uF	50V		50V010M4X7TR2	K46170030	
C 2162	CHIP CAP.	0.047uF	50V	F	GRM40F473Z50PT	K22171008	
C 2163	CHIP CAP.	0.047uF	50V	F	GRM40F473Z50PT	K22171008	
C 2164	AL. ELECTRO. CAP.	1uF	50V		50V010M4X7TR2	K46170030	
C 2165	CHIP CAP.	0.047uF	50V	F	GRM40F473Z50PT	K22171008	
C 2166	CHIP CAP.	0.047uF	50V	F	GRM40F473Z50PT	K22171008	
C 2167	CHIP CAP.	0.01uF	50V	B	GRM40B103M50PT	K22170817	
C 2168	CHIP CAP.	0.01uF	50V	B	GRM40B103M50PT	K22170817	
C 2169	CHIP CAP.	0.01uF	50V	B	GRM40B103M50PT	K22170817	
C 2170	CHIP CAP.	0.047uF	50V	F	GRM40F473Z50PT	K22171008	
C 2171	CHIP CAP.	0.01uF	50V	B	GRM40B103M50PT	K22170817	
C 2172	CHIP CAP.	0.047uF	50V	F	GRM40F473Z50PT	K22171008	
C 2173	CHIP CAP.	0.01uF	50V	B	GRM40B103M50PT	K22170817	
C 2174	CHIP CAP.	100pF	50V	CH	GRM40CH101J50PT	K22170235	
C 2175	CHIP CAP.	0.1uF	25V	B	GRM42-6B104M25PT	K22141809	
C 2176	CHIP CAP.	0.01uF	50V	B	GRM40B103M50PT	K22170817	
C 2177	CHIP CAP.	0.01uF	50V	B	GRM40B103M50PT	K22170817	
C 2178	CHIP CAP.	0.01uF	50V	B	GRM40B103M50PT	K22170817	
C 2179	CHIP CAP.	0.01uF	50V	B	GRM40B103M50PT	K22170817	
C 2180	CHIP CAP.	0.01uF	50V	B	GRM40B103M50PT	K22170817	
C 2181	CHIP CAP.	0.01uF	50V	B	GRM40B103M50PT	K22170817	
C 2184	CHIP CAP.	33pF	50V	CH	GRM40CH330J50PT	K22170223	
C 2185	CHIP CAP.	0.01uF	50V	B	GRM40B103M50PT	K22170817	
C 2186	CHIP CAP.	0.01uF	50V	B	GRM40B103M50PT	K22170817	
C 2187	CHIP CAP.	39pF	50V	CH	GRM40CH390J50PT	K22170225	
C 2188	CHIP CAP.	33pF	50V	CH	GRM40CH330J50PT	K22170223	
C 2189	CHIP CAP.	0.01uF	50V	B	GRM40B103M50PT	K22170817	
C 2190	CHIP CAP.	0.01uF	50V	B	GRM40B103M50PT	K22170817	
C 2191	AL. ELECTRO. CAP.	10uF	16V		16V100M4X7TR2	K46120004	
C 2192	CHIP CAP.	0.047uF	50V	F	GRM40F473Z50PT	K22171008	
C 2193	CHIP CAP.	5pF	50V	CH	GRM40CH050C50PT	K22170206	
C 2194	CHIP CAP.	0.01uF	50V	B	GRM40B103M50PT	K22170817	
C 2195	AL. ELECTRO. CAP.	1uF	50V		50V010M4X7TR2	K46170030	
C 2196	AL. ELECTRO. CAP.	1uF	50V		50V010M4X7TR2	K46170030	
C 2197	CHIP CAP.	0.01uF	50V	B	GRM40B103M50PT	K22170817	
C 2198	CHIP CAP.	0.01uF	50V	B	GRM40B103M50PT	K22170817	
C 2201	CHIP CAP.	0.01uF	50V	B	GRM40B103M50PT	K22170817	
C 2203	CHIP CAP.	5pF	50V	CH	GRM40CH050C50PT	K22170206	
C 2204	CHIP CAP.	0.01uF	50V	B	GRM40B103M50PT	K22170817	
C 2205	CHIP CAP.	33pF	50V	CH	GRM40CH330J50PT	K22170223	
C 2206	CHIP CAP.	100pF	50V	CH	GRM40CH101J50PT	K22170235	
C 2207	CHIP CAP.	0.01uF	50V	B	GRM40B103M50PT	K22170817	
C 2208	CHIP CAP.	0.01uF	50V	B	GRM40B103M50PT	K22170817	
C 2210	CHIP CAP.	33pF	50V	CH	GRM40CH330J50PT	K22170223	
C 2211	CHIP CAP.	33pF	50V	CH	GRM40CH330J50PT	K22170223	
C 2212	CHIP CAP.	0.01uF	50V	B	GRM40B103M50PT	K22170817	
C 2213	CHIP CAP.	0.01uF	50V	B	GRM40B103M50PT	K22170817	
C 2214	CHIP CAP.	0.01uF	50V	B	GRM40B103M50PT	K22170817	
C 2215	CHIP CAP.	33pF	50V	CH	GRM40CH330J50PT	K22170223	
C 2216	CHIP CAP.	0.01uF	50V	B	GRM40B103M50PT	K22170817	
C 2217	CHIP CAP.	0.01uF	50V	B	GRM40B103M50PT	K22170817	
C 2218	CHIP CAP.	180pF	50V	CH	GRM40CH181J50PT	K22170241	
C 2219	CHIP CAP.	180pF	50V	CH	GRM40CH181J50PT	K22170241	
C 2220	CHIP CAP.	10pF	50V	CH	GRM40CH100D50PT	K22170211	
C 2221	CHIP CAP.	0.01uF	50V	B	GRM40B103M50PT	K22170817	
C 2223	CHIP CAP.	0.01uF	50V	B	GRM40B103M50PT	K22170817	
C 2224	CHIP CAP.	0.01uF	50V	B	GRM40B103M50PT	K22170817	
C 2226	CHIP CAP.	22pF	50V	CH	GRM40CH220J50PT	K22170219	

IF Unit Parts List

REF.	DESCRIPTION	VALUE	WV	TOL.	MFGR'S DESIG	YAESU P/N	VERS.
C 2227	CHIP CAP.	330pF	50V	CH	GRM40CH331J50PT	K22170247	
C 2228	CHIP CAP.	330pF	50V	CH	GRM40CH331J50PT	K22170247	
C 2230	CHIP CAP.	0.01uF	50V	B	GRM40B103M50PT	K22170817	
C 2231	CHIP CAP.	0.01uF	50V	B	GRM40B103M50PT	K22170817	
C 2232	CHIP CAP.	0.001uF	50V	B	GRM40B102M50PT	K22170805	
C 2240	AL. ELECTRO. CAP.	10uF	16V		16V100M4X7TR2	K46120004	
C 2241	AL. ELECTRO. CAP.	0.47uF	50V		50VR47M4X7TR2	K46170029	
C 2242	CHIP CAP.	220pF	50V	CH	GRM40CH221J50PT	K22170243	
C 2243	CHIP CAP.	100pF	50V	CH	GRM40CH101J50PT	K22170235	
C 2244	CHIP CAP.	0.047uF	50V	F	GRM40F473Z50PT	K22171008	
C 2245	CHIP CAP.	0.047uF	50V	F	GRM40F473Z50PT	K22171008	
C 2246	CHIP CAP.	0.047uF	50V	F	GRM40F473Z50PT	K22171008	
C 2248	CHIP CAP.	0.047uF	50V	F	GRM40F473Z50PT	K22171008	
C 2249	CHIP CAP.	0.001uF	50V	B	GRM40B102M50PT	K22170805	
C 2250	CHIP CAP.	0.001uF	50V	B	GRM40B102M50PT	K22170805	
C 2260	CHIP CAP.	0.047uF	50V	F	GRM40F473Z50PT	K22171008	
C 2261	CHIP CAP.	5pF	50V	CH	GRM40CH050C50PT	K22170206	
C 2262	CHIP CAP.	33pF	50V	CH	GRM40CH330J50PT	K22170223	
C 2263	CHIP CAP.	33pF	50V	CH	GRM40CH330J50PT	K22170223	
C 2264	CHIP CAP.	0.01uF	50V	B	GRM40B103M50PT	K22170817	
C 2265	CHIP CAP.	0.01uF	50V	B	GRM40B103M50PT	K22170817	
C 2266	CHIP CAP.	0.01uF	50V	B	GRM40B103M50PT	K22170817	
C 2267	CHIP CAP.	0.01uF	50V	B	GRM40B103M50PT	K22170817	
C 2268	CHIP CAP.	0.01uF	50V	B	GRM40B103M50PT	K22170817	
C 2269	CHIP CAP.	0.01uF	50V	B	GRM40B103M50PT	K22170817	
C 2270	AL. ELECTRO. CAP.	1uF	50V		50V010M4X7TR2	K46170030	
C 2271	AL. ELECTRO. CAP.	4.7uF	35V		35V4R7M4X7TR2	K46160004	
C 2272	AL. ELECTRO. CAP.	3.3uF	50V		50V3R3M4X7TR2	K46170032	
C 2273	CHIP CAP.	22pF	50V	CH	GRM40CH220J50PT	K22170219	
C 2274	CHIP CAP.	0.047uF	50V	F	GRM40F473Z50PT	K22171008	
C 2275	CHIP CAP.	0.047uF	50V	F	GRM40F473Z50PT	K22171008	
C 2276	CHIP CAP.	0.047uF	50V	F	GRM40F473Z50PT	K22171008	
C 2277	CHIP CAP.	22pF	50V	CH	GRM40CH220J50PT	K22170219	
C 2278	CHIP CAP.	22pF	50V	CH	GRM40CH220J50PT	K22170219	
C 2279	CHIP CAP.	22pF	50V	CH	GRM40CH220J50PT	K22170219	
C 2280	CHIP CAP.	22pF	50V	CH	GRM40CH220J50PT	K22170219	
C 2281	CHIP CAP.	2pF	50V	CK	GRM40CK020C50PT	K22170203	
C 2282	CHIP CAP.	0.001uF	50V	B	GRM40B102M50PT	K22170805	
C 2283	CHIP CAP.	0.01uF	50V	B	GRM40B103M50PT	K22170817	
C 2284	CHIP CAP.	0.047uF	50V	F	GRM40F473Z50PT	K22171008	
C 2285	CHIP CAP.	0.047uF	50V	F	GRM40F473Z50PT	K22171008	
C 2286	CHIP CAP.	0.047uF	50V	F	GRM40F473Z50PT	K22171008	
C 2287	CHIP CAP.	0.01uF	50V	B	GRM40B103M50PT	K22170817	
C 2289	CERAMIC CAP.	0.1uF	25V	X	UAT10X104K-L45AE	K19149025	
C 2290	AL. ELECTRO. CAP.	0.22uF	50V		RC2-50VR22M(4X7)	K40179003	
CD2001	CERAMIC DISC				CDB455C7	H7900180	
CF2001	CERAMIC FILTER				LF-H8S	H3900387	
CF2002	CERAMIC FILTER				SLF-D6Y	H3900401	
D 2001	DIODE				1SS270TJ	G2060004	
D 2002	DIODE				1SS106	G2090244	
D 2003	DIODE				1SS106	G2090244	
D 2004	DIODE				1SS270TJ	G2060004	
D 2005	DIODE				1SS184 TE85R	G2070009	
D 2006	DIODE				1SS270TJ	G2060004	
D 2007	DIODE				1SS270TJ	G2060004	
D 2008	DIODE				1SS270TJ	G2060004	
D 2009	DIODE				1SS270TJ	G2060004	
D 2010	DIODE				1SS270TJ	G2060004	
D 2011	DIODE				1SS270TJ	G2060004	
D 2012	DIODE				1SS270TJ	G2060004	
D 2013	DIODE				1SS270TJ	G2060004	
D 2014	DIODE				1SS270TJ	G2060004	
D 2015	DIODE				1SS270TJ	G2060004	
D 2016	DIODE				1SS270TJ	G2060004	
D 2017	DIODE				1SS270TJ	G2060004	
D 2018	DIODE				1SS270TJ	G2060004	
D 2019	DIODE				1SS270TJ	G2060004	
D 2020	DIODE				1SS270TJ	G2060004	
D 2021	DIODE				1SS270TJ	G2060004	
D 2022	DIODE				1SS270TJ	G2060004	
D 2023	DIODE				1SS270TJ	G2060004	
D 2024	DIODE				1SS270TJ	G2060004	

IF Unit Parts List

REF.	DESCRIPTION	VALUE	WV	TOL.	MFGR'S DESIG	YAESU P/N	VERS.
D 2025	DIODE				1SS270TJ	G2060004	FLT 35NO
D 2026	DIODE				1SS270TJ	G2060004	
D 2027	DIODE				1SS270TJ	G2060004	
D 2028	DIODE				1SS270TJ	G2060004	
D 2029	DIODE				1SS270TJ	G2060004	
D 2030	DIODE				1SS270TJ	G2060004	
D 2031	DIODE				1SS270TJ	G2060004	
D 2032	DIODE				1SS270TJ	G2060004	FLT 34NO
D 2033	DIODE				1SS270TJ	G2060004	
D 2034	DIODE				1SS270TJ	G2060004	
D 2035	DIODE				1SS270TJ	G2060004	
D 2036	DIODE				1SS270TJ	G2060004	
D 2037	DIODE				1SS270TJ	G2060004	
D 2038	DIODE				1SS270TJ	G2060004	
D 2039	DIODE				1SS270TJ	G2060004	
D 2040	DIODE				1SS270TJ	G2060004	
D 2041	DIODE				1SS270TJ	G2060004	
D 2042	DIODE				1SS270TJ	G2060004	
D 2043	DIODE				1SS270TJ	G2060004	
D 2044	DIODE				1SS270TJ	G2060004	
D 2045	DIODE				1SS270TJ	G2060004	FLT 39NO
D 2046	DIODE				1SS270TJ	G2060004	FLT 38NO
D 2047	DIODE				1SS270TJ	G2060004	FLT 37NO
D 2048	DIODE				1SS270TJ	G2060004	
D 2049	DIODE				1SS270TJ	G2060004	
D 2050	DIODE				1SS270TJ	G2060004	
D 2051	DIODE				1SS270TJ	G2060004	
D 2052	DIODE				1SS270TJ	G2060004	
D 2053	DIODE				1SS270TJ	G2060004	
D 2054	DIODE				1SS270TJ	G2060004	
D 2055	DIODE				1SS270TJ	G2060004	
D 2056	DIODE				1SS270TJ	G2060004	
D 2057	DIODE				1SS270TJ	G2060004	
D 2058	DIODE				1SS270TJ	G2060004	
D 2059	DIODE				1SS270TJ	G2060004	
D 2060	DIODE				1SS106	G2090244	
D 2061	DIODE				1SS106	G2090244	
D 2062	DIODE				1SS106	G2090244	
D 2065	DIODE				1SS270TJ	G2060004	
D 2067	DIODE				1SS270TJ	G2060004	
D 2068	DIODE				1SS270TJ	G2060004	
D 2069	DIODE				1SS270TJ	G2060004	
D 2070	DIODE				1SS270TJ	G2060004	
D 2071	DIODE				1SS184 TE85R	G2070009	
D 2072	DIODE				1SS270TJ	G2060004	
D 2073	DIODE				1SS270TJ	G2060004	
D 2074	DIODE				1SS270TJ	G2060004	
D 2075	DIODE				FC-53M-5	G2090180	
D 2078	DIODE				1SS106	G2090244	
D 2079	DIODE				1SS106	G2090244	
D 2080	DIODE				FC-52M-5	G2090165	
D 2081	DIODE				1SS270TJ	G2060004	
D 2082	DIODE				1SS270TJ	G2060004	
D 2084	DIODE				1SS270TJ	G2060004	
D 2085	DIODE				1SS270TJ	G2060004	
D 2086	DIODE				1SS270TJ	G2060004	
D 2087	DIODE				1SS270TJ	G2060004	
D 2088	DIODE				1SS198TJ	G2060011	
D 2090	DIODE				1SS184 TE85R	G2070009	
D 2091	DIODE				1SS184 TE85R	G2070009	
D 2092	DIODE				1SS184 TE85R	G2070009	
D 2093	DIODE				1SS184 TE85R	G2070009	
D 2094	DIODE				1SS270TJ	G2060004	
D 2095	DIODE				1SS270TJ	G2060004	
D 2096	DIODE				1SS270TJ	G2060004	
D 2097	DIODE				1SS270TJ	G2060004	
D 2098	DIODE				1SS270TJ	G2060004	
D 2099	DIODE				1SS270TJ	G2060004	
D 2100	DIODE				1SS270TJ	G2060004	
D 2101	DIODE				1SS270TJ	G2060004	
D 2102	DIODE				1SS270TJ	G2060004	
D 2103	DIODE				1SS53	G2090027	
D 2104	DIODE				1SS226 TE85R	G2070003	
D 2105	DIODE				1SS270TJ	G2060004	

IF Unit Parts List

REF.	DESCRIPTION	VALUE	WV	TOL.	MFGR'S DESIG	YAESU P/N	VERS.
J 2001	CONNECTOR				SC25-05WS	P0090624	
J 2002	CONNECTOR				SC25-02WS	P0090621	
J 2003	CONNECTOR				TMP-J01X-A2	P1090255	
J 2004	CONNECTOR				TMP-J01X-A2	P1090255	
J 2005	CONNECTOR				SC25-03WS	P0090622	
J 2006	CONNECTOR				SC25-06WS	P0090625	
J 2007	CONNECTOR				SC25-07WS	P0090626	
J 2008	CONNECTOR				SC25-07WS	P0090626	
J 2009	CONNECTOR				SC25-03WS	P0090622	
J 2010	CONNECTOR				SC25-02WS	P0090621	
J 2011	CONNECTOR				SC25-02WS	P0090621	
J 2012	CONNECTOR				TMP-J01X-A2	P1090255	
J 2013	CONNECTOR				TMP-J01X-A2	P1090255	
J 2014	CONNECTOR				TMP-J01X-A2	P1090255	
J 2015	CONNECTOR				SC25-02WS	P0090621	
J 2017	CONNECTOR				TMP-J01X-A2	P1090255	
J 2018	CONNECTOR				TMP-J01X-A2	P1090255	
J 2019	CONNECTOR				SC25-02WS	P0090621	
J 2020	CONNECTOR				SC25-05WS	P0090624	
J 2021	CONNECTOR				SC25-02WS	P0090621	
J 2022	CONNECTOR				SC25-02WS	P0090621	
J 2023	CONNECTOR				SC25-02WS	P0090621	
J 2024	CONNECTOR				SC25-02WS	P0090621	
J 2025	CONNECTOR				SC25-02WS	P0090621	
J 2026	CONNECTOR				SC25-05WS	P0090624	
J 2027	CONNECTOR				SC25-05WS	P0090624	
J 2028	CONNECTOR				SC25-05WS	P0090624	
J 2029	CONNECTOR				3022-04B	P0090523	
J 2030	CONNECTOR				3022-04B	P0090523	
J 2031	CONNECTOR				3022-04B	P0090523	
J 2032	CONNECTOR				3022-04B	P0090523	
J 2033	CONNECTOR				3022-04B	P0090523	
J 2034	CONNECTOR				3022-04B	P0090523	
J 2035	CONNECTOR				3022-04B	P0090523	
J 2036	CONNECTOR				3022-04B	P0090523	
J 2037	CONNECTOR				3022-04B	P0090523	
J 2038	CONNECTOR				3022-04B	P0090523	
J 2039	CONNECTOR				3022-04B	P0090523	
J 2040	CONNECTOR				3022-04B	P0090523	
JP2001	WIRE ASSY					T9205910	
JP2003	WIRE ASSY					T9205911	
JP2005	WIRE ASSY					T9205912	
L 2001	M. RFC	150uH			LAP02TA151K	L1790072	
L 2002	M. RFC	150uH			LAP02TA151K	L1790072	
L 2003	M. RFC	150uH			LAP02TA151K	L1790072	
L 2004	M. RFC	150uH			LAP02TA151K	L1790072	
L 2005	M. RFC	150uH			LAP02TA151K	L1790072	
L 2006	M. RFC	150uH			LAP02TA151K	L1790072	
L 2007	M. RFC	150uH			LAP02TA151K	L1790072	
L 2008	M. RFC	150uH			LAP02TA151K	L1790072	
L 2009	M. RFC	150uH			LAP02TA151K	L1790072	
L 2010	M. RFC	150uH			LAP02TA151K	L1790072	
L 2012	M. RFC	150uH			LAP02TA151K	L1790072	
L 2013	M. RFC	100mH			ストク-104K	L1190102	
L 2014	M. RFC	100mH			ストク-104K	L1190102	
L 2015	M. RFC	2. 2mH			RCR-875D-222K	L1190382	
L 2016	M. RFC	150uH			LAP02TA151K	L1790072	
L 2018	M. RFC	100uH			LAP02TA101K	L1790070	
L 2020	M. RFC	1mH			LAL03TA102K	L1790119	
L 2022	M. RFC	10uH			LAP02TA100K	L1790058	
L 2023	M. RFC	150uH			LAP02TA151K	L1790072	
L 2024	M. RFC	150uH			LAP02TA151K	L1790072	
L 2025	M. RFC	1uH			LAP02TA1R0K	L1790046	
L 2026	M. RFC	1mH			LAL03TA102K	L1790119	
L 2027	M. RFC	150uH			LAP02TA151K	L1790072	
L 2028	M. RFC	1mH			LAL03TA102K	L1790119	
L 2029	M. RFC	15uH			LAP02TA150K	L1790060	
L 2030	M. RFC	1mH			LAL03TA102K	L1790119	
Q 2001	TRANSISTOR				FA1A4P-T2B	G3070006	
Q 2002	TRANSISTOR				FA1A4P-T2B	G3070006	
Q 2003	FET				3SK74L	G4800740L	
Q 2004	FET				3SK74L	G4800740L	

IF Unit Parts List

REF.	DESCRIPTION	VALUE	WV	TOL.	MFGR'S DESIG	YAESU P/N	VERS.
Q 2005	TRANSISTOR				2SC2712GR TE85R	G3327127G	
Q 2006	TRANSISTOR				2SC2712GR TE85R	G3327127G	
Q 2007	FET				2SK160-T2B K6	G3801607F	
Q 2008	TRANSISTOR				2SC2712GR TE85R	G3327127G	
Q 2009	TRANSISTOR				2SA1162GR TE85R	G3111627G	
Q 2010	IC				M5218AL	G1091140	
Q 2011	TRANSISTOR				2SC2712GR TE85R	G3327127G	
Q 2012	TRANSISTOR				FN1A4P-T2B	G3070011	
Q 2013	FET				2SK302GR TE85R	G3803027G	
Q 2014	FET				2SK302GR TE85R	G3803027G	
Q 2015	IC				UPC1037H	G1090101	
Q 2016	FET				2SK302GR TE85R	G3803027G	
Q 2017	IC				MC3357P	G1090145	
Q 2018	FET				3SK74L	G4800740L	
Q 2019	FET				3SK74L	G4800740L	
Q 2020	TRANSISTOR				FA1A4P-T2B	G3070006	
Q 2023	TRANSISTOR				2SC2712GR TE85R	G3327127G	
Q 2024	FET				3SK74L	G4800740L	
Q 2025	IC				UPD4066BC	G1090283	
Q 2026	IC				M5218AL	G1091140	
Q 2027	TRANSISTOR				2SC2712GR TE85R	G3327127G	
Q 2028	TRANSISTOR				2SC2712GR TE85R	G3327127G	
Q 2029	TRANSISTOR				2SC2712GR TE85R	G3327127G	
Q 2030	TRANSISTOR				FA1A4P-T2B	G3070006	
Q 2031	TRANSISTOR				FN1A4P-T2B	G3070011	
Q 2032	FET				2SK302GR TE85R	G3803027G	
Q 2033	FET				2SK302GR TE85R	G3803027G	
Q 2034	FET				3SK74L	G4800740L	
Q 2035	IC				UPC1037H	G1090101	
Q 2036	FET				3SK74L	G4800740L	
Q 2037	IC				TA7302P	G1090413	
Q 2038	FET				3SK74L	G4800740L	
Q 2039	FET				2SK160-T2B K6	G3801607F	
Q 2040	TRANSISTOR				FA1A4P-T2B	G3070006	
Q 2041	TRANSISTOR				FA1A4P-T2B	G3070006	
Q 2042	IC				UPD4066BC	G1090283	
Q 2043	TRANSISTOR				FA1A4P-T2B	G3070006	
Q 2044	TRANSISTOR				2SC2712GR TE85R	G3327127G	
Q 2045	FET				3SK74L	G4800740L	
Q 2046	TRANSISTOR				FN1A4P-T2B	G3070011	
Q 2047	TRANSISTOR				FA1A4P-T2B	G3070006	
Q 2048	TRANSISTOR				2SC2714YTE85R	G3327147Y	
Q 2049	TRANSISTOR				2SC2712GR TE85R	G3327127G	
Q 2050	TRANSISTOR				2SC2712GR TE85R	G3327127G	
Q 2051	IC				UPC1037H	G1090101	
Q 2052	TRANSISTOR				2SC2712GR TE85R	G3327127G	
Q 2053	TRANSISTOR				2SC2712GR TE85R	G3327127G	
Q 2054	TRANSISTOR				2SC2712GR TE85R	G3327127G	
Q 2055	TRANSISTOR				2SC2712GR TE85R	G3327127G	
Q 2056	TRANSISTOR				2SC2712GR TE85R	G3327127G	
Q 2057	IC				M5223AL	G1092954	
Q 2058	TRANSISTOR				FA1A4P-T2B	G3070006	
Q 2059	TRANSISTOR				2SC2712GR TE85R	G3327127G	
Q 2060	TRANSISTOR				2SC2712GR TE85R	G3327127G	
Q 2061	TRANSISTOR				FN1A4P-T2B	G3070011	
Q 2062	TRANSISTOR				FA1A4P-T2B	G3070006	
Q 2063	TRANSISTOR				FN1A4P-T2B	G3070011	
Q 2064	TRANSISTOR				FA1A4P-T2B	G3070006	
Q 2065	TRANSISTOR				FA1A4P-T2B	G3070006	
Q 2066	TRANSISTOR				FA1A4P-T2B	G3070006	
Q 2067	TRANSISTOR				FA1A4P-T2B	G3070006	
Q 2068	TRANSISTOR				FA1A4P-T2B	G3070006	
Q 2069	TRANSISTOR				FA1A4P-T2B	G3070006	
R 2001	CHIP RES.	100K	1/10W	5%	RMC1/10T 104J	J24205104	
R 2002	CHIP RES.	100K	1/10W	5%	RMC1/10T 104J	J24205104	
R 2004	CHIP RES.	100	1/10W	5%	RMC1/10T 101J	J24205101	
R 2005	CHIP RES.	680	1/10W	5%	RMC1/10T 681J	J24205681	
R 2006	CHIP RES.	470	1/10W	5%	RMC1/10T 471J	J24205471	
R 2007	CHIP RES.	4.7K	1/10W	5%	RMC1/10T 472J	J24205472	
R 2008	CHIP RES.	2.2K	1/10W	5%	RMC1/10T 222J	J24205222	
R 2009	CHIP RES.	1K	1/10W	5%	RMC1/10T 102J	J24205102	
R 2010	CHIP RES.	1K	1/10W	5%	RMC1/10T 102J	J24205102	
R 2011	CHIP RES.	1K	1/10W	5%	RMC1/10T 102J	J24205102	
R 2012	CHIP RES.	47K	1/10W	5%	RMC1/10T 473J	J24205473	

IF Unit Parts List

REF.	DESCRIPTION	VALUE	WV	TOL.	MFGR'S DESIG	YAESU P/N	VERS.
R 2013	CHIP RES.	220	1/10W	5%	RMC1/10T 221J	J24205221	
R 2014	CHIP RES.	100	1/10W	5%	RMC1/10T 101J	J24205101	
R 2015	CHIP RES.	10K	1/10W	5%	RMC1/10T 103J	J24205103	
R 2016	CHIP RES.	68K	1/10W	5%	RMC1/10T 683J	J24205683	
R 2017	CHIP RES.	1K	1/10W	5%	RMC1/10T 102J	J24205102	
R 2018	CHIP RES.	100	1/10W	5%	RMC1/10T 101J	J24205101	
R 2019	CHIP RES.	10K	1/10W	5%	RMC1/10T 103J	J24205103	
R 2020	CHIP RES.	100	1/10W	5%	RMC1/10T 101J	J24205101	
R 2021	CHIP RES.	100K	1/10W	5%	RMC1/10T 104J	J24205104	
R 2022	CHIP RES.	100	1/10W	5%	RMC1/10T 101J	J24205101	
R 2023	CHIP RES.	1K	1/10W	5%	RMC1/10T 102J	J24205102	
R 2024	CHIP RES.	10K	1/10W	5%	RMC1/10T 103J	J24205103	
R 2025	CHIP RES.	68K	1/10W	5%	RMC1/10T 683J	J24205683	
R 2026	CHIP RES.	150K	1/10W	5%	RMC1/10T 154J	J24205154	
R 2027	CHIP RES.	330K	1/10W	5%	RMC1/10T 334J	J24205334	
R 2028	CHIP RES.	6. 8K	1/10W	5%	RMC1/10T 682J	J24205682	
R 2029	CHIP RES.	1K	1/10W	5%	RMC1/10T 102J	J24205102	
R 2030	CHIP RES.	47K	1/10W	5%	RMC1/10T 473J	J24205473	
R 2031	CHIP RES.	47K	1/10W	5%	RMC1/10T 473J	J24205473	
R 2032	CHIP RES.	68K	1/10W	5%	RMC1/10T 683J	J24205683	
R 2034	CHIP RES.	1K	1/10W	5%	RMC1/10T 102J	J24205102	
R 2035	CHIP RES.	10K	1/10W	5%	RMC1/10T 103J	J24205103	
R 2036	CHIP RES.	4. 7K	1/10W	5%	RMC1/10T 472J	J24205472	
R 2037	CHIP RES.	4. 7K	1/10W	5%	RMC1/10T 472J	J24205472	
R 2038	CHIP RES.	10K	1/10W	5%	RMC1/10T 103J	J24205103	
R 2039	CHIP RES.	47K	1/10W	5%	RMC1/10T 473J	J24205473	
R 2040	CHIP RES.	150K	1/10W	5%	RMC1/10T 154J	J24205154	
R 2041	CHIP RES.	100	1/10W	5%	RMC1/10T 101J	J24205101	
R 2042	CHIP RES.	100	1/10W	5%	RMC1/10T 101J	J24205101	
R 2043	CHIP RES.	100	1/10W	5%	RMC1/10T 101J	J24205101	
R 2044	CHIP RES.	100	1/10W	5%	RMC1/10T 101J	J24205101	
R 2045	CHIP RES.	100	1/10W	5%	RMC1/10T 101J	J24205101	
R 2046	CHIP RES.	100	1/10W	5%	RMC1/10T 101J	J24205101	
R 2047	CHIP RES.	100	1/10W	5%	RMC1/10T 101J	J24205101	
R 2048	CHIP RES.	100	1/10W	5%	RMC1/10T 101J	J24205101	
R 2049	CHIP RES.	270	1/10W	5%	RMC1/10T 271J	J24205271	
R 2050	CHIP RES.	270	1/10W	5%	RMC1/10T 271J	J24205271	
R 2051	CHIP RES.	330	1/10W	5%	RMC1/10T 331J	J24205331	
R 2052	CHIP RES.	680	1/10W	5%	RMC1/10T 681J	J24205681	
R 2053	CHIP RES.	10K	1/10W	5%	RMC1/10T 103J	J24205103	
R 2054	CHIP RES.	22K	1/10W	5%	RMC1/10T 223J	J24205223	
R 2060	CHIP RES.	1K	1/10W	5%	RMC1/10T 102J	J24205102	
R 2062	CHIP RES.	330	1/10W	5%	RMC1/10T 331J	J24205331	
R 2064	CHIP RES.	1K	1/10W	5%	RMC1/10T 102J	J24205102	
R 2065	CHIP RES.	220	1/10W	5%	RMC1/10T 221J	J24205221	
R 2066	CHIP RES.	4. 7K	1/10W	5%	RMC1/10T 472J	J24205472	
R 2067	CHIP RES.	100	1/10W	5%	RMC1/10T 101J	J24205101	
R 2068	CHIP RES.	100	1/10W	5%	RMC1/10T 101J	J24205101	
R 2069	CHIP RES.	4. 7K	1/10W	5%	RMC1/10T 472J	J24205472	
R 2070	CHIP RES.	100	1/10W	5%	RMC1/10T 101J	J24205101	
R 2071	CHIP RES.	100	1/10W	5%	RMC1/10T 101J	J24205101	
R 2072	CHIP RES.	4. 7K	1/10W	5%	RMC1/10T 472J	J24205472	
R 2073	CHIP RES.	100	1/10W	5%	RMC1/10T 101J	J24205101	
R 2074	CHIP RES.	100	1/10W	5%	RMC1/10T 101J	J24205101	
R 2075	CHIP RES.	4. 7K	1/10W	5%	RMC1/10T 472J	J24205472	
R 2076	CHIP RES.	100	1/10W	5%	RMC1/10T 101J	J24205101	
R 2077	CHIP RES.	100	1/10W	5%	RMC1/10T 101J	J24205101	
R 2078	CHIP RES.	3. 3K	1/10W	5%	RMC1/10T 332J	J24205332	
R 2079	CHIP RES.	100	1/10W	5%	RMC1/10T 101J	J24205101	
R 2080	CHIP RES.	100	1/10W	5%	RMC1/10T 101J	J24205101	
R 2081	CHIP RES.	4. 7K	1/10W	5%	RMC1/10T 472J	J24205472	
R 2082	CHIP RES.	4. 7K	1/10W	5%	RMC1/10T 472J	J24205472	
R 2083	CHIP RES.	4. 7K	1/10W	5%	RMC1/10T 472J	J24205472	
R 2084	CHIP RES.	4. 7K	1/10W	5%	RMC1/10T 472J	J24205472	
R 2085	CHIP RES.	3. 3K	1/10W	5%	RMC1/10T 332J	J24205332	
R 2090	CHIP RES.	220	1/10W	5%	RMC1/10T 221J	J24205221	
R 2092	CHIP RES.	47K	1/10W	5%	RMC1/10T 473J	J24205473	
R 2093	CHIP RES.	15K	1/10W	5%	RMC1/10T 153J	J24205153	
R 2094	CHIP RES.	330	1/10W	5%	RMC1/10T 331J	J24205331	
R 2095	CHIP RES.	100	1/10W	5%	RMC1/10T 101J	J24205101	
R 2097	CHIP RES.	100	1/10W	5%	RMC1/10T 101J	J24205101	
R 2098	CHIP RES.	10K	1/10W	5%	RMC1/10T 103J	J24205103	
R 2099	CHIP RES.	47K	1/10W	5%	RMC1/10T 473J	J24205473	
R 2100	CHIP RES.	82K	1/10W	5%	RMC1/10T 823J	J24205823	
R 2101	CHIP RES.	100	1/10W	5%	RMC1/10T 101J	J24205101	

IF Unit Parts List

REF.	DESCRIPTION	VALUE	WV	TOL.	MFGR'S DESIG	YAESU P/N	VERS.
R 2102	CHIP RES.	47K	1/10W	5%	RMC1/10T 473J	J24205473	
R 2103	CHIP RES.	470	1/10W	5%	RMC1/10T 471J	J24205471	
R 2104	CHIP RES.	18K	1/10W	5%	RMC1/10T 183J	J24205183	
R 2105	CHIP RES.	100	1/10W	5%	RMC1/10T 101J	J24205101	
R 2106	CHIP RES.	1K	1/10W	5%	RMC1/10T 102J	J24205102	
R 2107	CHIP RES.	2. 2K	1/10W	5%	RMC1/10T 222J	J24205222	
R 2108	CHIP RES.	39K	1/10W	5%	RMC1/10T 393J	J24205393	
R 2109	CHIP RES.	4. 7K	1/10W	5%	RMC1/10T 472J	J24205472	
R 2110	CHIP RES.	47K	1/10W	5%	RMC1/10T 473J	J24205473	
R 2111	CHIP RES.	68K	1/10W	5%	RMC1/10T 683J	J24205683	
R 2112	CHIP RES.	1K	1/10W	5%	RMC1/10T 102J	J24205102	
R 2113	CHIP RES.	100	1/10W	5%	RMC1/10T 101J	J24205101	
R 2116	CHIP RES.	100	1/10W	5%	RMC1/10T 101J	J24205101	
R 2117	CHIP RES.	33K	1/10W	5%	RMC1/10T 333J	J24205333	
R 2118	CHIP RES.	150	1/10W	5%	RMC1/10T 151J	J24205151	
R 2119	CHIP RES.	22K	1/10W	5%	RMC1/10T 223J	J24205223	
R 2120	CHIP RES.	100	1/10W	5%	RMC1/10T 101J	J24205101	
R 2121	CHIP RES.	470	1/10W	5%	RMC1/10T 471J	J24205471	
R 2122	CHIP RES.	100K	1/10W	5%	RMC1/10T 104J	J24205104	
R 2123	CHIP RES.	10K	1/10W	5%	RMC1/10T 103J	J24205103	
R 2124	CHIP RES.	100	1/10W	5%	RMC1/10T 101J	J24205101	
R 2125	CHIP RES.	1K	1/10W	5%	RMC1/10T 102J	J24205102	
R 2126	CHIP RES.	220	1/10W	5%	RMC1/10T 221J	J24205221	
R 2127	CHIP RES.	150K	1/10W	5%	RMC1/10T 154J	J24205154	
R 2128	CHIP RES.	2. 2K	1/10W	5%	RMC1/10T 222J	J24205222	
R 2129	CHIP RES.	2. 2K	1/10W	5%	RMC1/10T 222J	J24205222	
R 2130	CHIP RES.	47K	1/10W	5%	RMC1/10T 473J	J24205473	
R 2131	CHIP RES.	1. 5K	1/10W	5%	RMC1/10T 152J	J24205152	
R 2132	CHIP RES.	3. 3K	1/10W	5%	RMC1/10T 332J	J24205332	
R 2133	CHIP RES.	1. 5K	1/10W	5%	RMC1/10T 152J	J24205152	
R 2134	CHIP RES.	15K	1/10W	5%	RMC1/10T 153J	J24205153	
R 2135	CHIP RES.	330K	1/10W	5%	RMC1/10T 334J	J24205334	
R 2136	CHIP RES.	1K	1/10W	5%	RMC1/10T 102J	J24205102	
R 2137	CHIP RES.	4. 7K	1/10W	5%	RMC1/10T 472J	J24205472	
R 2138	CHIP RES.	10K	1/10W	5%	RMC1/10T 103J	J24205103	
R 2139	CHIP RES.	100	1/10W	5%	RMC1/10T 101J	J24205101	
R 2140	CHIP RES.	10K	1/10W	5%	RMC1/10T 103J	J24205103	
R 2141	CHIP RES.	10K	1/10W	5%	RMC1/10T 103J	J24205103	
R 2142	CHIP RES.	0	1/10W	5%	RMC1/10T 000J	J24205000	
R 2143	CHIP RES.	10K	1/10W	5%	RMC1/10T 103J	J24205103	
R 2145	CHIP RES.	100K	1/10W	5%	RMC1/10T 104J	J24205104	
R 2146	CHIP RES.	1K	1/10W	5%	RMC1/10T 102J	J24205102	
R 2147	CHIP RES.	1M	1/10W	5%	RMC1/10T 105J	J24205105	
R 2148	CHIP RES.	220	1/10W	5%	RMC1/10T 221J	J24205221	
R 2149	CHIP RES.	1. 5M	1/10W	5%	RMC1/10T 155J	J24205155	
R 2150	CHIP RES.	2. 2K	1/10W	5%	RMC1/10T 222J	J24205222	
R 2151	CHIP RES.	100	1/10W	5%	RMC1/10T 101J	J24205101	
R 2152	CHIP RES.	15K	1/10W	5%	RMC1/10T 153J	J24205153	
R 2153	CHIP RES.	10	1/10W	5%	RMC1/10T 100J	J24205100	
R 2154	CHIP RES.	47K	1/10W	5%	RMC1/10T 473J	J24205473	
R 2155	CHIP RES.	1K	1/10W	5%	RMC1/10T 102J	J24205102	
R 2156	CHIP RES.	100K	1/10W	5%	RMC1/10T 104J	J24205104	
R 2157	CHIP RES.	100K	1/10W	5%	RMC1/10T 104J	J24205104	
R 2160	CHIP RES.	47K	1/10W	5%	RMC1/10T 473J	J24205473	
R 2161	CHIP RES.	47K	1/10W	5%	RMC1/10T 473J	J24205473	
R 2162	CHIP RES.	2. 2K	1/10W	5%	RMC1/10T 222J	J24205222	
R 2164	CHIP RES.	150K	1/10W	5%	RMC1/10T 154J	J24205154	
R 2165	CHIP RES.	4. 7K	1/10W	5%	RMC1/10T 472J	J24205472	
R 2166	CHIP RES.	100K	1/10W	5%	RMC1/10T 104J	J24205104	
R 2167	CHIP RES.	100K	1/10W	5%	RMC1/10T 104J	J24205104	
R 2168	CHIP RES.	100K	1/10W	5%	RMC1/10T 104J	J24205104	
R 2169	CHIP RES.	100K	1/10W	5%	RMC1/10T 104J	J24205104	
R 2170	CHIP RES.	10K	1/10W	5%	RMC1/10T 103J	J24205103	
R 2171	CHIP RES.	100	1/10W	5%	RMC1/10T 101J	J24205101	
R 2173	CHIP RES.	100K	1/10W	5%	RMC1/10T 104J	J24205104	
R 2174	CHIP RES.	100K	1/10W	5%	RMC1/10T 104J	J24205104	
R 2176	CHIP RES.	100	1/10W	5%	RMC1/10T 101J	J24205101	
R 2177	CHIP RES.	470	1/10W	5%	RMC1/10T 471J	J24205471	
R 2179	CHIP RES.	820	1/10W	5%	RMC1/10T 821J	J24205821	
R 2180	CHIP RES.	2. 2K	1/10W	5%	RMC1/10T 222J	J24205222	
R 2181	CHIP RES.	100	1/10W	5%	RMC1/10T 101J	J24205101	
R 2182	CHIP RES.	1K	1/10W	5%	RMC1/10T 102J	J24205102	
R 2184	CHIP RES.	680	1/10W	5%	RMC1/10T 681J	J24205681	
R 2185	CHIP RES.	330	1/10W	5%	RMC1/10T 331J	J24205331	
R 2186	CHIP RES.	470	1/10W	5%	RMC1/10T 471J	J24205471	

IF Unit Parts List

REF.	DESCRIPTION	VALUE	WV	TOL.	MFGR'S DESIG	YAESU P/N	VERS.
R 2191	CHIP RES.	100	1/10W	5%	RMC1/10T 101J	J24205101	
R 2192	CHIP RES.	330	1/10W	5%	RMC1/10T 331J	J24205331	
R 2193	CHIP RES.	68K	1/10W	5%	RMC1/10T 683J	J24205683	
R 2194	CHIP RES.	2. 2K	1/10W	5%	RMC1/10T 222J	J24205222	
R 2195	CHIP RES.	1K	1/10W	5%	RMC1/10T 102J	J24205102	
R 2196	CHIP RES.	1K	1/10W	5%	RMC1/10T 102J	J24205102	
R 2197	CHIP RES.	220	1/10W	5%	RMC1/10T 221J	J24205221	
R 2198	CHIP RES.	100	1/10W	5%	RMC1/10T 101J	J24205101	
R 2200	CHIP RES.	100	1/10W	5%	RMC1/10T 101J	J24205101	
R 2202	CHIP RES.	330	1/10W	5%	RMC1/10T 331J	J24205331	
R 2203	CHIP RES.	1K	1/10W	5%	RMC1/10T 102J	J24205102	
R 2204	CHIP RES.	47K	1/10W	5%	RMC1/10T 473J	J24205473	
R 2205	CHIP RES.	10K	1/10W	5%	RMC1/10T 103J	J24205103	
R 2206	CHIP RES.	1K	1/10W	5%	RMC1/10T 102J	J24205102	
R 2207	CHIP RES.	2. 2K	1/10W	5%	RMC1/10T 222J	J24205222	
R 2208	CHIP RES.	470	1/10W	5%	RMC1/10T 471J	J24205471	
R 2209	CHIP RES.	100	1/10W	5%	RMC1/10T 101J	J24205101	
R 2210	CHIP RES.	100K	1/10W	5%	RMC1/10T 104J	J24205104	
R 2211	CHIP RES.	10K	1/10W	5%	RMC1/10T 103J	J24205103	
R 2212	CHIP RES.	10K	1/10W	5%	RMC1/10T 103J	J24205103	
R 2213	CHIP RES.	3. 9K	1/10W	5%	RMC1/10T 392J	J24205392	
R 2214	CHIP RES.	6. 8K	1/10W	5%	RMC1/10T 682J	J24205682	
R 2215	CHIP RES.	1M	1/10W	5%	RMC1/10T 105J	J24205105	
R 2216	CHIP RES.	100K	1/10W	5%	RMC1/10T 104J	J24205104	
R 2217	CHIP RES.	100	1/10W	5%	RMC1/10T 101J	J24205101	
R 2218	CHIP RES.	68K	1/10W	5%	RMC1/10T 683J	J24205683	
R 2219	CHIP RES.	100	1/10W	5%	RMC1/10T 101J	J24205101	
R 2220	CHIP RES.	6. 8K	1/10W	5%	RMC1/10T 682J	J24205682	
R 2221	CHIP RES.	47K	1/10W	5%	RMC1/10T 473J	J24205473	
R 2222	CHIP RES.	220	1/10W	5%	RMC1/10T 221J	J24205221	
R 2223	CHIP RES.	150	1/10W	5%	RMC1/10T 151J	J24205151	
R 2224	CHIP RES.	3. 3K	1/10W	5%	RMC1/10T 332J	J24205332	
R 2225	CHIP RES.	820	1/10W	5%	RMC1/10T 821J	J24205821	
R 2226	CHIP RES.	22K	1/10W	5%	RMC1/10T 223J	J24205223	
R 2227	CHIP RES.	10K	1/10W	5%	RMC1/10T 103J	J24205103	
R 2228	CHIP RES.	470	1/10W	5%	RMC1/10T 471J	J24205471	
R 2229	CHIP RES.	10K	1/10W	5%	RMC1/10T 103J	J24205103	
R 2230	CHIP RES.	100	1/10W	5%	RMC1/10T 101J	J24205101	
R 2231	CHIP RES.	100K	1/10W	5%	RMC1/10T 104J	J24205104	
R 2232	CHIP RES.	470	1/10W	5%	RMC1/10T 471J	J24205471	
R 2233	CHIP RES.	100	1/10W	5%	RMC1/10T 101J	J24205101	
R 2234	CHIP RES.	150	1/10W	5%	RMC1/10T 151J	J24205151	
R 2235	CHIP RES.	56	1/10W	5%	RMC1/10T 560J	J24205560	
R 2236	CHIP RES.	100K	1/10W	5%	RMC1/10T 104J	J24205104	
R 2237	CHIP RES.	100	1/10W	5%	RMC1/10T 101J	J24205101	
R 2238	CHIP RES.	470	1/10W	5%	RMC1/10T 471J	J24205471	
R 2239	CHIP RES.	330	1/10W	5%	RMC1/10T 331J	J24205331	
R 2240	CHIP RES.	22K	1/10W	5%	RMC1/10T 223J	J24205223	
R 2241	CHIP RES.	10K	1/10W	5%	RMC1/10T 103J	J24205103	
R 2242	CHIP RES.	470	1/10W	5%	RMC1/10T 471J	J24205471	
R 2243	CHIP RES.	10K	1/10W	5%	RMC1/10T 103J	J24205103	
R 2244	CHIP RES.	100	1/10W	5%	RMC1/10T 101J	J24205101	
R 2246	CHIP RES.	100	1/10W	5%	RMC1/10T 101J	J24205101	
R 2247	CHIP RES.	1K	1/10W	5%	RMC1/10T 102J	J24205102	
R 2248	CHIP RES.	47K	1/10W	5%	RMC1/10T 473J	J24205473	
R 2249	CHIP RES.	22K	1/10W	5%	RMC1/10T 223J	J24205223	
R 2250	CHIP RES.	470	1/10W	5%	RMC1/10T 471J	J24205471	
R 2251	CHIP RES.	100	1/10W	5%	RMC1/10T 101J	J24205101	
R 2252	CHIP RES.	22K	1/10W	5%	RMC1/10T 223J	J24205223	
R 2253	CHIP RES.	10K	1/10W	5%	RMC1/10T 103J	J24205103	
R 2256	CHIP RES.	100K	1/10W	5%	RMC1/10T 104J	J24205104	
R 2257	CHIP RES.	100K	1/10W	5%	RMC1/10T 104J	J24205104	
R 2258	CHIP RES.	10K	1/10W	5%	RMC1/10T 103J	J24205103	
R 2259	CHIP RES.	3. 3K	1/10W	5%	RMC1/10T 332J	J24205332	
R 2260	CHIP RES.	10K	1/10W	5%	RMC1/10T 103J	J24205103	
R 2261	CHIP RES.	1K	1/10W	5%	RMC1/10T 102J	J24205102	
R 2262	CHIP RES.	4. 7K	1/10W	5%	RMC1/10T 472J	J24205472	
R 2263	CHIP RES.	4. 7K	1/10W	5%	RMC1/10T 472J	J24205472	
R 2264	CHIP RES.	10K	1/10W	5%	RMC1/10T 103J	J24205103	
R 2265	CHIP RES.	10K	1/10W	5%	RMC1/10T 103J	J24205103	
R 2266	CHIP RES.	10K	1/10W	5%	RMC1/10T 103J	J24205103	
R 2267	CHIP RES.	10K	1/10W	5%	RMC1/10T 103J	J24205103	
R 2268	CHIP RES.	100K	1/10W	5%	RMC1/10T 104J	J24205104	
R 2269	CHIP RES.	150	1/10W	5%	RMC1/10T 151J	J24205151	
R 2270	CHIP RES.	100	1/10W	5%	RMC1/10T 101J	J24205101	

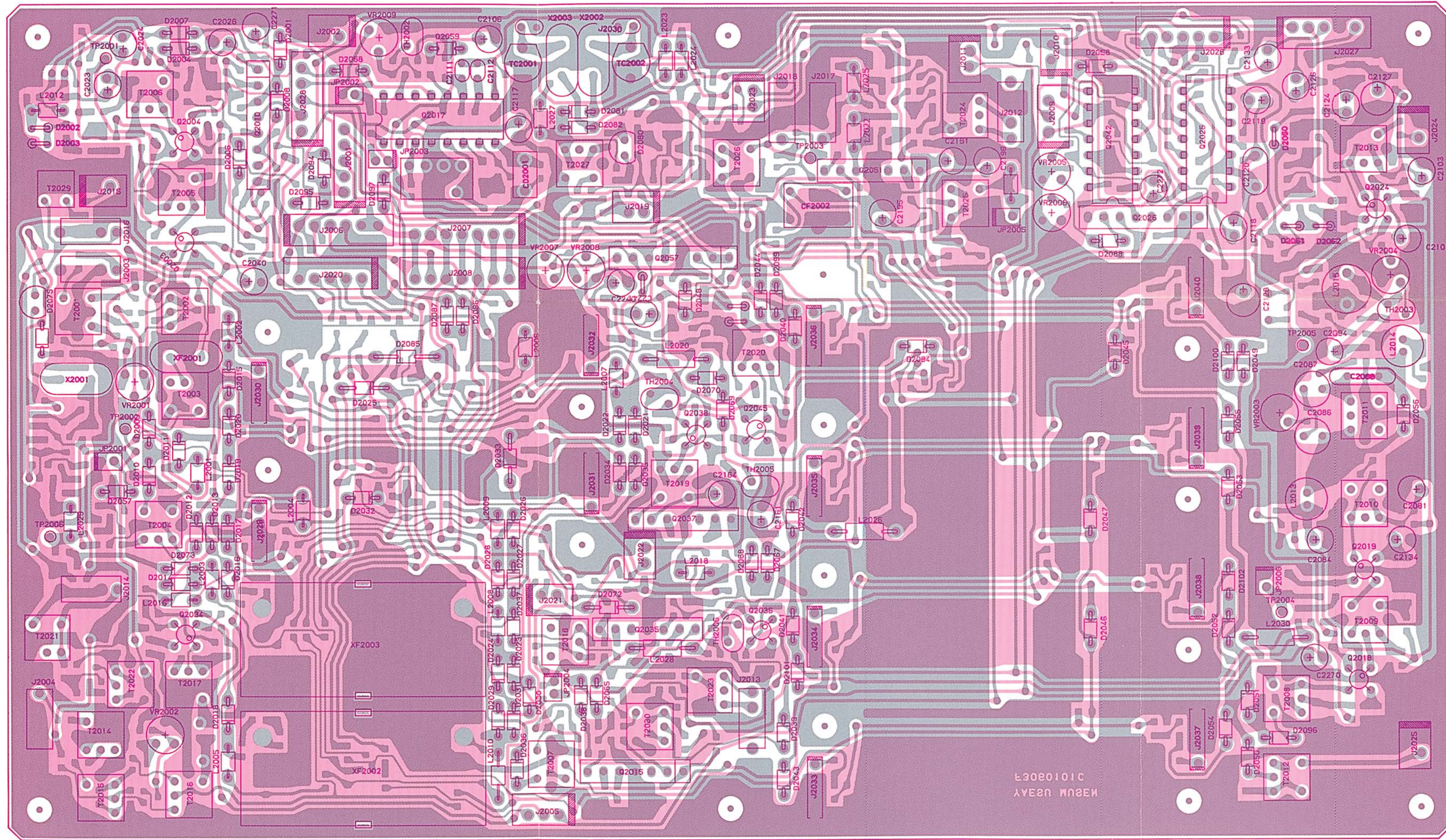
IF Unit Parts List

REF.	DESCRIPTION	VALUE	WV	TOL.	MFGR'S DESIG	YAESU P/N	VERS.
R 2271	CHIP RES.	100K	1/10W	5%	RMC1/10T 104J	J24205104	
R 2272	CHIP RES.	150	1/10W	5%	RMC1/10T 151J	J24205151	
R 2273	CHIP RES.	100	1/10W	5%	RMC1/10T 101J	J24205101	
R 2274	CHIP RES.	1K	1/10W	5%	RMC1/10T 102J	J24205102	
R 2275	CHIP RES.	220	1/10W	5%	RMC1/10T 221J	J24205221	
R 2276	CHIP RES.	150K	1/10W	5%	RMC1/10T 154J	J24205154	
R 2277	CHIP RES.	100K	1/10W	5%	RMC1/10T 104J	J24205104	
R 2278	CHIP RES.	2. 2K	1/10W	5%	RMC1/10T 222J	J24205222	
R 2279	CHIP RES.	100K	1/10W	5%	RMC1/10T 104J	J24205104	
R 2280	CHIP RES.	100K	1/10W	5%	RMC1/10T 104J	J24205104	
R 2282	CHIP RES.	470	1/10W	5%	RMC1/10T 471J	J24205471	
R 2284	CHIP RES.	470	1/10W	5%	RMC1/10T 471J	J24205471	
R 2285	CHIP RES.	220	1/10W	5%	RMC1/10T 221J	J24205221	
R 2286	CHIP RES.	100K	1/10W	5%	RMC1/10T 104J	J24205104	
R 2288	CHIP RES.	470	1/10W	5%	RMC1/10T 471J	J24205471	
R 2289	CHIP RES.	22K	1/10W	5%	RMC1/10T 223J	J24205223	
R 2290	CHIP RES.	1. 8K	1/10W	5%	RMC1/10T 182J	J24205182	
R 2291	CHIP RES.	1K	1/10W	5%	RMC1/10T 102J	J24205102	
R 2292	CHIP RES.	100K	1/10W	5%	RMC1/10T 104J	J24205104	
R 2293	CHIP RES.	15K	1/10W	5%	RMC1/10T 153J	J24205153	
R 2294	CHIP RES.	22K	1/10W	5%	RMC1/10T 223J	J24205223	
R 2296	CHIP RES.	100	1/10W	5%	RMC1/10T 101J	J24205101	
R 2297	CHIP RES.	10K	1/10W	5%	RMC1/10T 103J	J24205103	
R 2298	CHIP RES.	10K	1/10W	5%	RMC1/10T 103J	J24205103	
R 2300	CHIP RES.	0	1/10W	5%	RMC1/10T 000J	J24205000	
R 2301	CHIP RES.	0	1/10W	5%	RMC1/10T 000J	J24205000	
R 2303	CHIP RES.	4. 7K	1/10W	5%	RMC1/10T 472J	J24205472	
R 2304	CHIP RES.	1K	1/10W	5%	RMC1/10T 102J	J24205102	
R 2305	CHIP RES.	56	1/10W	5%	RMC1/10T 560J	J24205560	
R 2306	CHIP RES.	220	1/10W	5%	RMC1/10T 221J	J24205221	
R 2307	CHIP RES.	10K	1/10W	5%	RMC1/10T 103J	J24205103	
R 2308	CHIP RES.	10K	1/10W	5%	RMC1/10T 103J	J24205103	
R 2309	CHIP RES.	10K	1/10W	5%	RMC1/10T 103J	J24205103	
R 2310	CHIP RES.	10K	1/10W	5%	RMC1/10T 103J	J24205103	
R 2311	CHIP RES.	10K	1/10W	5%	RMC1/10T 103J	J24205103	
R 2312	CHIP RES.	10K	1/10W	5%	RMC1/10T 103J	J24205103	
R 2313	CHIP RES.	10K	1/10W	5%	RMC1/10T 103J	J24205103	
R 2314	CHIP RES.	10K	1/10W	5%	RMC1/10T 103J	J24205103	
R 2315	CHIP RES.	470	1/10W	5%	RMC1/10T 471J	J24205471	
R 2316	CHIP RES.	470	1/10W	5%	RMC1/10T 471J	J24205471	
R 2317	CHIP RES.	10K	1/10W	5%	RMC1/10T 103J	J24205103	
R 2318	CHIP RES.	0	1/10W	5%	RMC1/10T 000J	J24205000	
R 2319	CHIP RES.	10K	1/10W	5%	RMC1/10T 103J	J24205103	
R 2320	CHIP RES.	10K	1/10W	5%	RMC1/10T 103J	J24205103	
R 2321	CHIP RES.	15K	1/10W	5%	RMC1/10T 153J	J24205153	
R 2322	CHIP RES.	680	1/10W	5%	RMC1/10T 681J	J24205681	
R 2323	CHIP RES.	100	1/10W	5%	RMC1/10T 101J	J24205101	
R 2324	CHIP RES.	100	1/10W	5%	RMC1/10T 101J	J24205101	
R 2325	CHIP RES.	1K	1/10W	5%	RMC1/10T 102J	J24205102	
R 2326	CHIP RES.	220	1/10W	5%	RMC1/10T 221J	J24205221	
R 2327	CHIP RES.	220	1/10W	5%	RMC1/10T 221J	J24205221	
R 2328	CHIP RES.	470	1/10W	5%	RMC1/10T 471J	J24205471	
R 2329	CHIP RES.	220	1/10W	5%	RMC1/10T 221J	J24205221	
R 2330	CHIP RES.	220	1/10W	5%	RMC1/10T 221J	J24205221	
R 2331	CHIP RES.	470	1/10W	5%	RMC1/10T 471J	J24205471	
R 2332	CHIP RES.	0	1/10W	5%	RMC1/10T 000J	J24205000	
R 2333	CHIP RES.	1K	1/10W	5%	RMC1/10T 102J	J24205102	
R 2334	CHIP RES.	47	1/10W	5%	RMC1/10T 470J	J24205470	
R 2335	CHIP RES.	6. 8K	1/10W	5%	RMC1/10T 682J	J24205682	
R 2336	CHIP RES.	10K	1/10W	5%	RMC1/10T 103J	J24205103	
R 2337	CHIP RES.	470K	1/10W	5%	RMC1/10T 474J	J24205474	
R 2338	CHIP RES.	10K	1/10W	5%	RMC1/10T 103J	J24205103	
R 2339	CHIP RES.	220K	1/10W	5%	RMC1/10T 224J	J24205224	
R 2340	CHIP RES.	3. 3K	1/10W	5%	RMC1/10T 332J	J24205332	
R 2341	CARBON FILM RES.	10K	1/6W	5%	RD16PJ103 10K	J01225103	
R 2342	CARBON FILM RES.	33K	1/6W	5%	RD16PJ333 33K	J01225333	
R 2343	CHIP RES.	2. 2M	1/10W	5%	RMC1/10T 225J	J24205225	
R 2344	CHIP RES.	470K	1/10W	5%	RMC1/10T 474J	J24205474	
T 2001	COIL	73. 62MHz			73. 62M R12-J759A	L0021961	
T 2002	COIL	8. 21MHz			8. 21M R12-6368A	L0021396	
T 2003	COIL	8. 20MHz			8. 20M R12-4043A	L0021199	
T 2004	COIL	8. 20MHz			8. 20M R12-4043A	L0021199	
T 2005	COIL	8. 20MHz			8. 20M R12-4043A	L0021199	
T 2006	COIL	8. 20MHz			8. 20M R12-4043A	L0021199	

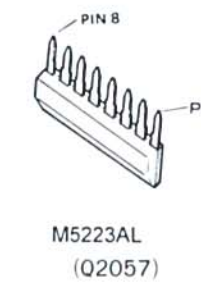
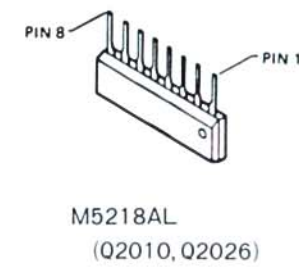
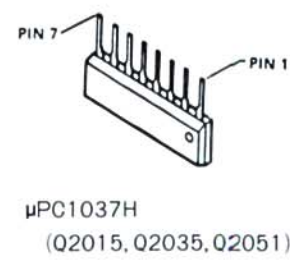
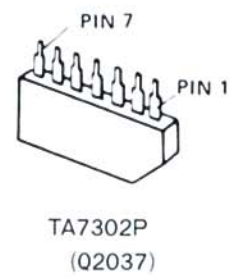
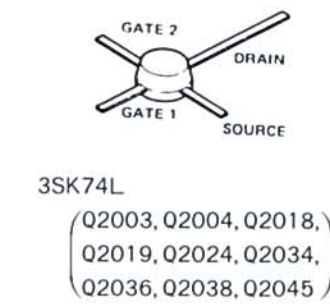
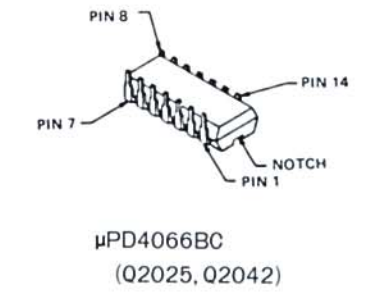
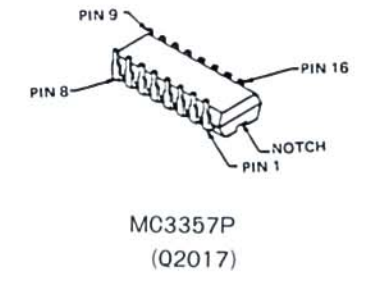
IF Unit Parts List

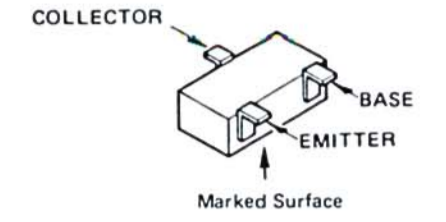
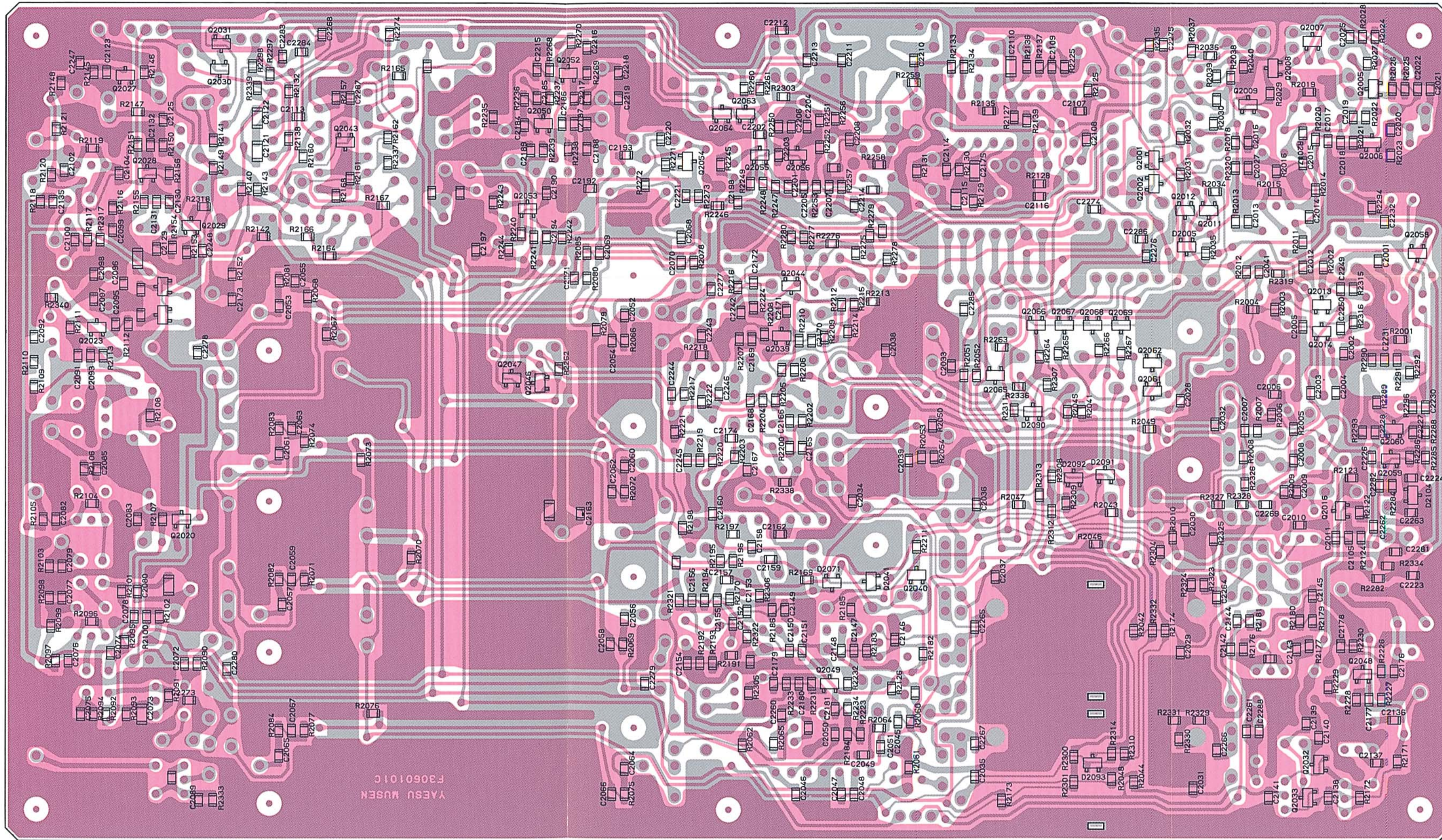
REF.	DESCRIPTION	VALUE	WV	TOL.	MFGR'S DESIG	YAESU P/N	VERS.
T 2007	COIL	8. 21MHz			8. 21M R12-6368A	L0021396	
T 2008	COIL				R12-7947C	L0020422	
T 2009	COIL				R12-7947C	L0020422	
T 2010	COIL				R12-J763A	L0021965	
T 2011	COIL				S-135-213	L0021966	
T 2012	COIL				R12-7935A	L0020421	
T 2013	COIL				R12-J763A	L0021965	
T 2014	COIL				R12-J758A	L0021958	
T 2015	COIL	73. 62MHz			73. 62M R12-J759A	L0021961	
T 2016	COIL	8. 21MHz			8. 21M R12-6367A	L0021395	
T 2017	COIL	8. 20MHz			8. 20M R12-4043A	L0021199	
T 2018	COIL	8. 20MHz			8. 20M R12-4043A	L0021199	
T 2019	COIL				R12-7947C	L0020422	
T 2020	COIL				R12-7947C	L0020422	
T 2022	COIL				R12-J760A	L0021962	
T 2023	COIL				1-1 RID-Q5B	L0021968	
T 2024	COIL				1-1 RID-Q5B	L0021968	
T 2025	COIL				R12-J762A	L0021964	
T 2026	COIL				R12-J761A	L0021963	
T 2027	COIL				6. 70U R12-3301X	L0021276	
T 2029	COIL				31U R12-G458X	L0021863	
T 2030	COIL	455KHz			455K	L0190002	
TC2001	TRIMMER CAP.	20pF			VCT51E117	K91000086	
TC2002	TRIMMER CAP.	20pF			VCT51E117	K91000086	
TH2002	THERMISTOR				112252-2	G9090016	
TH2003	THERMISTOR				112302-2	G9090010	
TH2004	THERMISTOR				112252-2	G9090016	
TH2005	THERMISTOR				112302-2	G9090010	
TH2006	THERMISTOR				112152-2	G9090039	
TP2001	TP-F				IPS-1032	Q5000026	
TP2002	TP-F				IPS-1032	Q5000026	
TP2003	TP-F				IPS-1032	Q5000026	
TP2004	TP-F				IPS-1032	Q5000026	
TP2005	TP-F				IPS-1032	Q5000026	
TP2006	TP-F				IPS-1032	Q5000026	
VR2001	POT.	1KB			H0651A007-1KB	J51745102	
VR2002	POT.	1KB			H0651A007-1KB	J51745102	
VR2003	POT.	47KB			H0651A017-47KB	J51745473	
VR2004	POT.	10KB			H0651A013-10KB	J51745103	
VR2005	POT.	1KB			H0651A007-1KB	J51745102	
VR2006	POT.	10KB			H0651A013-10KB	J51745103	
VR2007	POT.	10KB			H0651A013-10KB	J51745103	
VR2008	POT.	10KB			H0651A013-10KB	J51745103	
VR2009	POT.	2. 2KB			H0651A009-2. 2KB	J51745222	
X 2001	XTAL	8. 215MHz				H0102934	
X 2002	XTAL	12. 280MHz				H0102935	
X 2003	XTAL	12. 283MHz				H0102936	
XF2001	XTAL FILTER				8. 2M12	H1102156	
XF2002	XTAL FILTER				XF-8. 2M-262-01	H1102157	
XF2003	XTAL FILTER				XF-8. 2M-501-03	H1102158	
	CARD SPACER				WLS-04-0	S6000191	

*	XP-A UNIT (FLT34)	XP-B UNIT (FLT35)	XP-C UNIT (FLT36)	XP-D UNIT (FLT37)	XP-G UNIT (FLT36NO)	XP-E UNIT or YF-110C (FLT38)	XP-F UNIT or YF-110CN (FLT39)
IF ASSY CP2207003	○	○			○		
IF ASSY CP2207004	○	○	○	○		○	
with DIODE 1SS270TJ YAESU P/N G2060004 (W/O XTAL Filter Unit)							
IF UNIT CA0004003				○ (REF. D2047)		○ (REF. D2046)	○ (REF. D2045)
IF UNIT CA0004004							○ (REF. D2045)



(obverse view of "component" side)





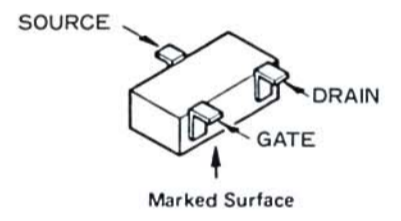
- FA1A4P(L34)
(Q2001, Q2002, Q2020, Q2030, Q2040, Q2041, Q2043, Q2047, Q2058, Q2062, Q2064, Q2065, Q2066, Q2067, Q2068, Q2069)

- FN1A4P(M34)
(Q2012, Q2031, Q2046, Q2061, Q2063)

- 2SA1162GR(SG)
(Q2009)

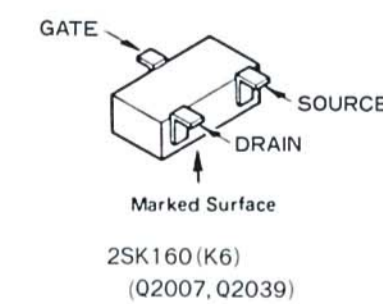
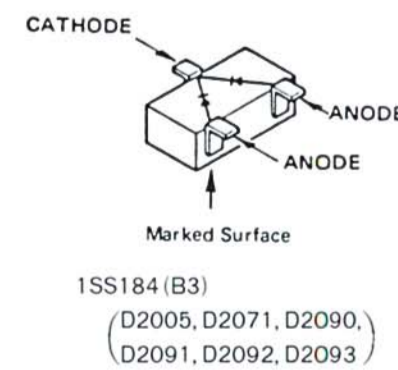
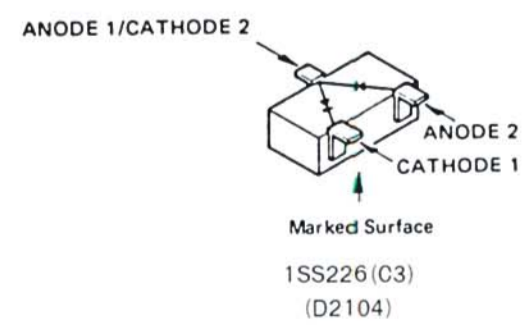
- 2SC2712GR(LG)
(Q2005, Q2006, Q2008, Q2011, Q2023, Q2027, Q2028, Q2029, Q2044, Q2049, Q2050, Q2052, Q2053, Q2054, Q2055, Q2056, Q2059, Q2060, Q2061)

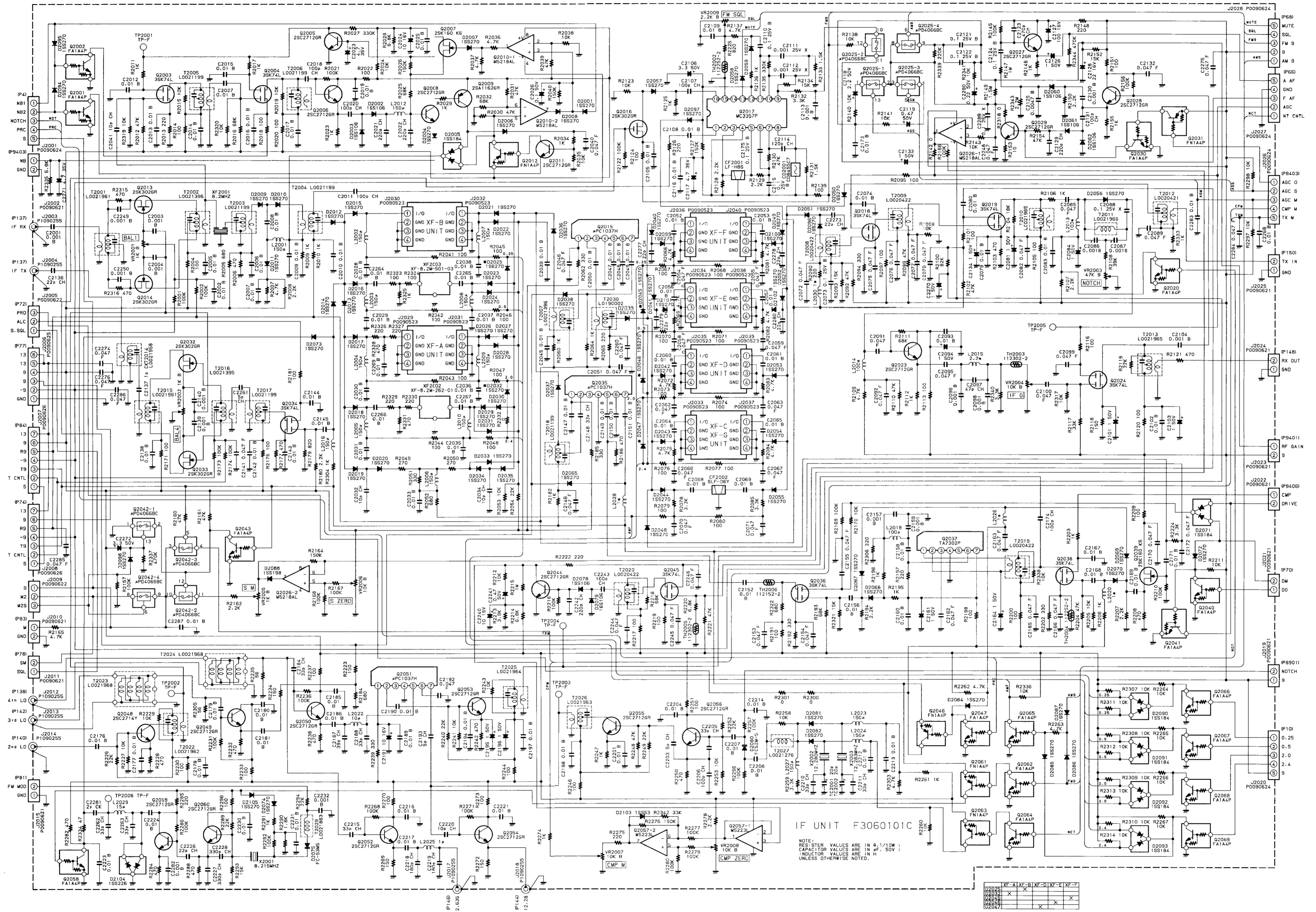
- 2SC2714Y(QY)
(Q2048)



- 2SK302GR(TGR)
(Q2013, Q2014, Q2016, Q2032, Q2033)

(obverse view of "chip-only" side!)





IF UNIT SCHEMATIC DIAGRAM

AF Unit Parts List

REF.	DESCRIPTION	VALUE	WV	TOL.	MFGR'S DESIG	YAESU P/N	VERS.
*** AF UNIT ***							
	PCB with Components					CA0013003	DST EXP
	PCB with Components					CA0013004	DST USA
	PCB with Components					CA0013005	DST AUS
	PCB with Components					CA0013006	DST BEL
	Printed Circuit Board					F3061101E	
C 3001	CHIP CAP.	0.01uF	50V	B	GRM40B103M50PT	K22170817	
C 3002	CERAMIC CAP.	0.047uF	25V	X	UAT08X473K-L45AE	K19149021	
C 3003	CHIP CAP.	18pF	50V	CH	GRM40CH180J50PT	K22170217	
C 3004	CHIP CAP.	220pF	50V	CH	GRM40CH221J50PT	K22170243	
C 3005	CHIP CAP.	100pF	50V	CH	GRM40CH101J50PT	K22170235	
C 3006	CHIP CAP.	0.01uF	50V	B	GRM40B103M50PT	K22170817	
C 3007	CHIP CAP.	5pF	50V	CH	GRM40CH050C50PT	K22170206	
C 3008	CHIP CAP.	0.01uF	50V	B	GRM40B103M50PT	K22170817	
C 3009	CHIP CAP.	0.01uF	50V	B	GRM40B103M50PT	K22170817	
C 3010	CHIP CAP.	22pF	50V	CH	GRM40CH220J50PT	K22170219	
C 3011	CHIP CAP.	22pF	50V	CH	GRM40CH220J50PT	K22170219	
C 3012	CHIP CAP.	0.01uF	50V	B	GRM40B103M50PT	K22170817	
C 3013	AL. ELECTRO. CAP.	10uF	16V		16V100M4X7TR2	K46120004	
C 3014	CHIP CAP.	0.047uF	50V	F	GRM40F473Z50PT	K22171008	
C 3015	CHIP CAP.	0.047uF	50V	F	GRM40F473Z50PT	K22171008	
C 3016	CHIP CAP.	0.01uF	50V	B	GRM40B103M50PT	K22170817	
C 3017	AL. ELECTRO. CAP.	1uF	50V		50V010M4X7TR2	K46170030	
C 3018	CHIP CAP.	0.01uF	50V	B	GRM40B103M50PT	K22170817	
C 3019	CHIP CAP.	0.01uF	50V	B	GRM40B103M50PT	K22170817	
C 3021	CHIP CAP.	0.047uF	50V	F	GRM40F473Z50PT	K22171008	
C 3022	AL. ELECTRO. CAP.	1uF	50V		50V010M4X7TR2	K46170030	
C 3023	CHIP CAP.	0.01uF	50V	B	GRM40B103M50PT	K22170817	
C 3024	AL. ELECTRO. CAP.	1uF	50V		50V010M4X7TR2	K46170030	
C 3025	CHIP CAP.	0.047uF	50V	F	GRM40F473Z50PT	K22171008	
C 3026	CHIP CAP.	0.01uF	50V	B	GRM40B103M50PT	K22170817	
C 3027	CHIP CAP.	2pF	50V	CK	GRM40CK020C50PT	K22170203	
C 3028	CHIP CAP.	0.01uF	50V	B	GRM40B103M50PT	K22170817	
C 3029	CHIP CAP.	0.047uF	50V	F	GRM40F473Z50PT	K22171008	
C 3030	CHIP CAP.	150pF	50V	CH	GRM40CH151J50PT	K22170239	
C 3031	CHIP CAP.	0.047uF	50V	F	GRM40F473Z50PT	K22171008	
C 3032	CHIP CAP.	0.01uF	50V	B	GRM40B103M50PT	K22170817	
C 3033	CHIP CAP.	470pF	50V	CH	GRM40CH471J50PT	K22170251	
C 3034	CHIP CAP.	470pF	50V	CH	GRM40CH471J50PT	K22170251	
C 3035	CHIP CAP.	0.01uF	50V	B	GRM40B103M50PT	K22170817	
C 3036	CHIP CAP.	0.1uF	25V	B	GRM42-6B104M25PT	K22141809	
C 3037	CHIP CAP.	0.01uF	50V	B	GRM40B103M50PT	K22170817	
C 3038	CHIP CAP.	0.01uF	50V	B	GRM40B103M50PT	K22170817	
C 3039	CHIP CAP.	0.01uF	50V	B	GRM40B103M50PT	K22170817	
C 3040	CHIP CAP.	0.01uF	50V	B	GRM40B103M50PT	K22170817	
C 3041	CHIP CAP.	22pF	50V	CH	GRM40CH220J50PT	K22170219	
C 3042	CHIP CAP.	0.01uF	50V	B	GRM40B103M50PT	K22170817	
C 3043	CHIP CAP.	0.01uF	50V	B	GRM40B103M50PT	K22170817	
C 3044	CHIP CAP.	22pF	50V	CH	GRM40CH220J50PT	K22170219	
C 3045	CHIP CAP.	22pF	50V	CH	GRM40CH220J50PT	K22170219	
C 3046	CHIP CAP.	0.01uF	50V	B	GRM40B103M50PT	K22170817	
C 3047	CHIP CAP.	0.01uF	50V	B	GRM40B103M50PT	K22170817	
C 3048	CHIP CAP.	0.1uF	25V	B	GRM42-6B104M25PT	K22141809	
C 3049	AL. ELECTRO. CAP.	1uF	50V		50V010M4X7TR2	K46170030	
C 3050	CHIP CAP.	0.01uF	50V	B	GRM40B103M50PT	K22170817	
C 3051	CHIP CAP.	0.047uF	50V	F	GRM40F473Z50PT	K22171008	
C 3052	CHIP CAP.	0.047uF	50V	F	GRM40F473Z50PT	K22171008	
C 3053	CHIP CAP.	0.01uF	50V	B	GRM40B103M50PT	K22170817	
C 3054	AL. ELECTRO. CAP.	10uF	16V		16V100M4X7TR2	K46120004	
C 3057	CHIP CAP.	0.047uF	50V	F	GRM40F473Z50PT	K22171008	
C 3058	CHIP CAP.	0.01uF	50V	B	GRM40B103M50PT	K22170817	
C 3059	AL. ELECTRO. CAP.	1uF	50V		50V010M4X7TR2	K46170030	
C 3060	CHIP CAP.	0.01uF	50V	B	GRM40B103M50PT	K22170817	
C 3061	AL. ELECTRO. CAP.	10uF	16V		16V100M4X7TR2	K46120004	
C 3062	AL. ELECTRO. CAP.	4.7uF	35V		35V4R7M4X7TR2	K46160004	
C 3063	CHIP CAP.	0.0068uF	50V	B	GRM40B682M50PT	K22170815	
C 3064	CHIP CAP.	0.0033uF	50V	B	GRM40B332M50PT	K22170811	
C 3065	AL. ELECTRO. CAP.	4.7uF	35V		35V4R7M4X7TR2	K46160004	
C 3066	CHIP CAP.	0.0047uF	50V	B	GRM40B472M50PT	K22170813	
C 3067	CHIP CAP.	0.0022uF	50V	B	GRM40B222M50PT	K22170809	
C 3068	AL. ELECTRO. CAP.	4.7uF	35V		35V4R7M4X7TR2	K46160004	
C 3069	CHIP CAP.	0.015	50V	B	GRM40B153M50PT	K22170819	
C 3070	CHIP CAP.	0.0068uF	50V	B	GRM40B682M50PT	K22170815	
C 3071	AL. ELECTRO. CAP.	4.7uF	35V		35V4R7M4X7TR2	K46160004	
C 3072	AL. ELECTRO. CAP.	4.7uF	35V		35V4R7M4X7TR2	K46160004	
C 3073	FILM CAP.	0.022	50V		NNM223K50	K50170041	
C 3074	FILM CAP.	0.022	50V		NNM223K50	K50170041	
C 3075	AL. ELECTRO. CAP.	100uF	16V		16V101M6X7TR2	K46120007	
C 3076	AL. ELECTRO. CAP.	4.7uF	35V		35V4R7M4X7TR2	K46160004	
C 3077	AL. ELECTRO. CAP.	1uF	50V		50V010M4X7TR2	K46170030	
C 3078	CHIP CAP.	0.047uF	50V	F	GRM40F473Z50PT	K22171008	
C 3079	AL. ELECTRO. CAP.	10uF	16V		16V100M4X7TR2	K46120004	
C 3080	CHIP CAP.	0.0022uF	50V	B	GRM40B222M50PT	K22170809	
C 3081	AL. ELECTRO. CAP.	1uF	50V		50V010M4X7TR2	K46170030	

AF Unit Parts List

REF.	DESCRIPTION	VALUE	WV	TOL.	MFGR'S DESIG	YAESU P/N	VERS.
C 3082	AL. ELECTRO. CAP.	22uF	16V		16V220M5X7TR2	K46120005	
C 3083	AL. ELECTRO. CAP.	1uF	50V		50V010M4X7TR2	K46170030	
C 3084	AL. ELECTRO. CAP.	1uF	50V		50V010M4X7TR2	K46170030	
C 3085	CHIP. CAP.	0.01uF	50V	B	GRM40B103M50PT	K22170817	
C 3086	AL. ELECTRO. CAP.	10uF	16V		16V100M4X7TR2	K46120004	
C 3087	AL. ELECTRO. CAP.	1uF	50V		50V010M4X7TR2	K46170030	
C 3088	AL. ELECTRO. CAP.	22uF	16V		16V220M5X7TR2	K46120005	
C 3089	AL. ELECTRO. CAP.	1uF	50V		50V010M4X7TR2	K46170030	
C 3090	AL. ELECTRO. CAP.	1uF	50V		50V010M4X7TR2	K46170030	
C 3091	CHIP. CAP.	0.01uF	50V	B	GRM40B103M50PT	K22170817	
C 3092	AL. ELECTRO. CAP.	22uF	16V		16V220M5X7TR2	K46120005	
C 3093	CHIP. CAP.	0.01uF	50V	B	GRM40B103M50PT	K22170817	
C 3094	AL. ELECTRO. CAP.	10uF	16V		16V100M4X7TR2	K46120004	
C 3095	CHIP. CAP.	0.01uF	50V	B	GRM40B103M50PT	K22170817	
C 3096	AL. ELECTRO. CAP.	22uF	16V		16V220M5X7TR2	K46120005	
C 3097	AL. ELECTRO. CAP.	22uF	16V		16V220M5X7TR2	K46120005	
C 3098	AL. ELECTRO. CAP.	1uF	50V		50V010M4X7TR2	K46170030	
C 3099	CHIP. CAP.	0.01uF	50V	B	GRM40B103M50PT	K22170817	
C 3100	AL. ELECTRO. CAP.	1uF	50V		50V010M4X7TR2	K46170030	
C 3101	CHIP. CAP.	0.01uF	50V	B	GRM40B103M50PT	K22170817	
C 3102	AL. ELECTRO. CAP.	10uF	16V		16V100M4X7TR2	K46120004	
C 3103	CHIP. CAP.	0.022uF	50V	B	GRM40B223M50PT	K22170821	
C 3104	CHIP. CAP.	0.01uF	50V	B	GRM40B103M50PT	K22170817	
C 3105	AL. ELECTRO. CAP.	100uF	16V		16V101M6X7TR2	K46120007	
C 3106	AL. ELECTRO. CAP.	470uF	6.3V		RE2-6V471M	K40089025	
C 3107	AL. ELECTRO. CAP.	470uF	16V		RE2-16V471M	K40129049	
C 3108	AL. ELECTRO. CAP.	100uF	16V		16V101M6X7TR2	K46120007	
C 3109	AL. ELECTRO. CAP.	47uF	16V		16V470M6X7TR2	K46120006	
C 3110	FILM CAP.	0.1	100V		NNM104K100	K50200001	
C 3111	CHIP. CAP.	0.01uF	50V	B	GRM40B103M50PT	K22170817	
C 3112	CHIP. CAP.	0.01uF	50V	B	GRM40B103M50PT	K22170817	
C 3113	CHIP. CAP.	0.047uF	50V	F	GRM40F473Z50PT	K22171008	
C 3114	CHIP. CAP.	0.01uF	50V	B	GRM40B103M50PT	K22170817	
C 3115	CHIP. CAP.	0.01uF	50V	B	GRM40B103M50PT	K22170817	
C 3116	CHIP. CAP.	0.01uF	50V	B	GRM40B103M50PT	K22170817	
C 3117	AL. ELECTRO. CAP.	10uF	16V		16V100M4X7TR2	K46120004	
C 3118	CHIP. CAP.	22pF	50V	CH	GRM40CH220J50PT	K22170219	
C 3119	CHIP. CAP.	0.01uF	50V	B	GRM40B103M50PT	K22170817	
C 3120	CHIP. CAP.	0.01uF	50V	B	GRM40B103M50PT	K22170817	
C 3121	CHIP. CAP.	0.01uF	50V	B	GRM40B103M50PT	K22170817	
C 3122	AL. ELECTRO. CAP.	10uF	16V		16V100M4X7TR2	K46120004	
C 3123	AL. ELECTRO. CAP.	4.7uF	35V		35V4R7M4X7TR2	K46160004	
C 3124	AL. ELECTRO. CAP.	4.7uF	35V		35V4R7M4X7TR2	K46160004	
C 3125	AL. ELECTRO. CAP.	4.7uF	35V		35V4R7M4X7TR2	K46160004	
C 3126	CHIP. CAP.	220pF	50V	CH	GRM40CH221J50PT	K22170243	
C 3127	AL. ELECTRO. CAP.	10uF	16V		16V100M4X7TR2	K46120004	
C 3128	AL. ELECTRO. CAP.	4.7uF	35V		35V4R7M4X7TR2	K46160004	
C 3129	CHIP. CAP.	0.01uF	50V	B	GRM40B103M50PT	K22170817	
C 3130	AL. ELECTRO. CAP.	22uF	16V		16V220M5X7TR2	K46120005	
C 3131	AL. ELECTRO. CAP.	4.7uF	35V		35V4R7M4X7TR2	K46160004	
C 3132	AL. ELECTRO. CAP.	220uF	10V		10V221M6X11TR5	K46100005	
C 3133	AL. ELECTRO. CAP.	10uF	16V		16V100M4X7TR2	K46120004	
C 3134	CHIP. CAP.	0.001uF	50V	B	GRM40B102M50PT	K22170805	
C 3135	AL. ELECTRO. CAP.	1uF	50V		50V010M4X7TR2	K46170030	
C 3136	CHIP. CAP.	0.001uF	50V	B	GRM40B102M50PT	K22170805	
C 3137	AL. ELECTRO. CAP.	10uF	16V		16V100M4X7TR2	K46120004	
C 3138	AL. ELECTRO. CAP.	1uF	50V		50V010M4X7TR2	K46170030	
C 3139	CHIP. CAP.	0.047uF	50V	F	GRM40F473Z50PT	K22171008	
C 3140	AL. ELECTRO. CAP.	10uF	16V		16V100M4X7TR2	K46120004	
C 3141	AL. ELECTRO. CAP.	1uF	50V		50V010M4X7TR2	K46170030	
C 3142	AL. ELECTRO. CAP.	0.47uF	50V		50VR47M4X7TR2	K46170029	
C 3143	AL. ELECTRO. CAP.	1uF	50V		50V010M4X7TR2	K46170030	
C 3144	AL. ELECTRO. CAP.	10uF	16V		16V100M4X7TR2	K46120004	
C 3145	FILM CAP.	0.47	50V		ECQ-V1H474JZW	K52170007	
C 3146	CHIP. CAP.	0.047uF	50V	F	GRM40F473Z50PT	K22171008	
C 3147	AL. ELECTRO. CAP.	10uF	16V		16V100M4X7TR2	K46120004	
C 3148	CHIP. CAP.	0.01uF	50V	B	GRM40B103M50PT	K22170817	
C 3149	AL. ELECTRO. CAP.	1uF	50V		50V010M4X7TR2	K46170030	
C 3150	AL. ELECTRO. CAP.	10uF	16V		16V100M4X7TR2	K46120004	
C 3151	AL. ELECTRO. CAP.	1uF	50V		50V010M4X7TR2	K46170030	
C 3152	AL. ELECTRO. CAP.	1uF	50V		50V010M4X7TR2	K46170030	
C 3153	AL. ELECTRO. CAP.	10uF	16V		16V100M4X7TR2	K46120004	
C 3154	AL. ELECTRO. CAP.	1uF	50V		50V010M4X7TR2	K46170030	
C 3155	AL. ELECTRO. CAP.	1uF	50V		50V010M4X7TR2	K46170030	
C 3156	AL. ELECTRO. CAP.	10uF	16V		16V100M4X7TR2	K46120004	
C 3157	AL. ELECTRO. CAP.	1uF	50V		50V010M4X7TR2	K46170030	
C 3158	AL. ELECTRO. CAP.	1uF	50V		50V010M4X7TR2	K46170030	
C 3159	AL. ELECTRO. CAP.	10uF	16V		16V100M4X7TR2	K46120004	
C 3160	AL. ELECTRO. CAP.	1uF	50V		50V010M4X7TR2	K46170030	
C 3161	AL. ELECTRO. CAP.	1uF	50V		50V010M4X7TR2	K46170030	
C 3162	AL. ELECTRO. CAP.	10uF	16V		16V100M4X7TR2	K46120004	
C 3163	AL. ELECTRO. CAP.	1uF	50V		50V010M4X7TR2	K46170030	
C 3167	AL. ELECTRO. CAP.	22uF	16V		16V220M5X7TR2	K46120005	
C 3168	CHIP. CAP.	0.1uF	25V	F	GRM40F104Z25PT	K22141005	
C 3169	AL. ELECTRO. CAP.	10uF	16V		16V100M4X7TR2	K46120004	
C 3170	CHIP. CAP.	30p	50V	CH	GRM40CH300J50PT	K22170222	
C 3171	CHIP. CAP.	30p	50V	CH	GRM40CH300J50PT	K22170222	

AF Unit Parts List

REF.	DESCRIPTION	VALUE	WV	TOL.	MFRG'S DESIG	YAESU P/N	VERS.
C 3172	AL. ELECTRO. CAP.	10uF	16V		16V100M4X7TR2	K46120004	
C 3173	CHIP CAP.	0.001uF	50V	B	GRM40B102M50PT	K22170805	
C 3174	CHIP CAP.	0.001uF	50V	B	GRM40B102M50PT	K22170805	
C 3175	CHIP CAP.	0.01uF	50V	B	GRM40B103M50PT	K22170817	
C 3176	CHIP CAP.	0.0047uF	50V	F	GRM40F472Z50PT	K22171002	
C 3177	CHIP CAP.	0.0047uF	50V	F	GRM40F472Z50PT	K22171002	
C 3178	AL. ELECTRO. CAP.	10uF	16V		16V100M4X7TR2	K46120004	
C 3181	CHIP CAP.	3pF	50V	CJ	GRM40CJ030C50PT	K22170204	
C 3185	CHIP CAP.	0.01uF	50V	B	GRM40B103M50PT	K22170817	
C 3186	CHIP CAP.	39pF	50V	CH	GRM40CH390J50PT	K22170225	
C 3187	CHIP CAP.	39pF	50V	CH	GRM40CH390J50PT	K22170225	
C 3190	CHIP CAP.	0.01uF	50V	B	GRM40B103M50PT	K22170817	
C 3191	AL. ELECTRO. CAP.	10uF	16V		16V100M4X7TR2	K46120004	
C 3193	CHIP CAP.	0.0068uF	50V	B	GRM40B682M50PT	K22170815	
C 3194	CHIP CAP.	0.0033uF	50V	B	GRM40B332M50PT	K22170811	
C 3198	CHIP CAP.	0.022uF	50V	B	GRM40B223M50PT	K22170821	
C 3199	CHIP CAP.	0.01uF	50V	B	GRM40B103M50PT	K22170817	
C 3201	CHIP CAP.	0.01uF	50V	B	GRM40B103M50PT	K22170817	
C 3202	AL. ELECTRO. CAP.	1uF	50V		50V010M4X7TR2	K46170030	
C 3203	AL. ELECTRO. CAP.	1uF	50V		50V010M4X7TR2	K46170030	
C 3204	AL. ELECTRO. CAP.	10uF	16V		16V100M4X7TR2	K46120004	
C 3205	AL. ELECTRO. CAP.	0.47uF	50V		50VR47M4X7TR2	K46170029	
C 3207	AL. ELECTRO. CAP.	10uF	16V		16V100M4X7TR2	K46120004	
C 3208	CHIP CAP.	0.001uF	50V	B	GRM40B102M50PT	K22170805	
C 3209	CHIP CAP.	100pF	50V	CH	GRM40CH101J50PT	K22170235	
C 3210	CHIP CAP.	100pF	50V	CH	GRM40CH101J50PT	K22170235	
C 3212	CHIP CAP.	0.001uF	50V	B	GRM40B102M50PT	K22170805	
C 3213	CHIP CAP.	0.01uF	50V	B	GRM40B103M50PT	K22170817	
C 3214	CHIP CAP.	0.01uF	50V	B	GRM40B103M50PT	K22170817	
C 3221	CHIP CAP.	0.047uF	50V	F	GRM40F473Z50PT	K22171008	
C 3222	CHIP CAP.	0.1uF	25V	F	GRM40F104Z25PT	K22141005	
C 3223	AL. ELECTRO. CAP.	10uF	16V		16V100M4X7TR2	K46120004	
C 3224	CHIP CAP.	0.01uF	50V	B	GRM40B103M50PT	K22170817	
C 3225	CHIP CAP.	0.01uF	50V	B	GRM40B103M50PT	K22170817	
C 3226	AL. ELECTRO. CAP.	100uF	16V		16V101M6X7TR2	K46120007	
C 3227	CHIP CAP.	0.047uF	50V	F	GRM40F473Z50PT	K22171008	
C 3228	CHIP CAP.	0.047uF	50V	F	GRM40F473Z50PT	K22171008	
C 3229	AL. ELECTRO. CAP.	10uF	16V		16V100M4X7TR2	K46120004	
C 3230	CHIP CAP.	0.01uF	50V	B	GRM40B103M50PT	K22170817	
C 3231	AL. ELECTRO. CAP.	1uF	50V		50V010M4X7TR2	K46170030	
C 3232	CHIP CAP.	0.0033uF	50V	B	GRM40B332M50PT	K22170811	
C 3233	AL. ELECTRO. CAP.	1uF	50V		50V010M4X7TR2	K46170030	
C 3234	AL. ELECTRO. CAP.	1uF	50V		50V010M4X7TR2	K46170030	
C 3235	AL. ELECTRO. CAP.	10uF	16V		16V100M4X7TR2	K46120004	
C 3236	CHIP CAP.	0.047uF	50V	F	GRM40F473Z50PT	K22171008	
C 3237	CHIP CAP.	0.0047uF	50V	B	GRM40B472M50PT	K22170813	
C 3238	CHIP CAP.	0.0047uF	50V	B	GRM40B472M50PT	K22170813	
C 3239	CHIP CAP.	0.0047uF	50V	B	GRM40B472M50PT	K22170813	
C 3240	AL. ELECTRO. CAP.	10uF	16V		16V100M4X7TR2	K46120004	
C 3241	AL. ELECTRO. CAP.	1uF	50V		50V010M4X7TR2	K46170030	
C 3242	AL. ELECTRO. CAP.	0.47uF	50V		50VR47M4X7TR2	K46170029	
C 3243	AL. ELECTRO. CAP.	1uF	50V		50V010M4X7TR2	K46170030	
C 3244	AL. ELECTRO. CAP.	220uF	25V		25V221M8X11TR5	K46140006	
C 3245	AL. ELECTRO. CAP.	220uF	25V		25V221M8X11TR5	K46140006	
C 3246	AL. ELECTRO. CAP.	0.22uF	50V		50VR22M4X7TR2	K46170027	
C 3247	CHIP CAP.	0.01uF	50V	B	GRM40B103M50PT	K22170817	
C 3248	CHIP CAP.	0.01uF	50V	B	GRM40B103M50PT	K22170817	
C 3249	CHIP CAP.	0.001uF	50V	B	GRM40B102M50PT	K22170805	
C 3250	AL. ELECTRO. CAP.	0.33uF	50V		50VR33M4X7TR2	K46170028	
C 3251	AL. ELECTRO. CAP.	3.3uF	50V		50V3R3M4X7TR2	K46170032	
C 3252	CHIP CAP.	0.01uF	50V	B	GRM40B103M50PT	K22170817	
C 3253	AL. ELECTRO. CAP.	3.3uF	50V		50V3R3M4X7TR2	K46170032	
C 3254	CHIP CAP.	0.01uF	50V	B	GRM40B103M50PT	K22170817	
C 3255	CHIP CAP.	0.01uF	50V	B	GRM40B103M50PT	K22170817	
C 3256	CHIP CAP.	0.01uF	50V	B	GRM40B103M50PT	K22170817	
C 3257	CHIP CAP.	0.01uF	50V	B	GRM40B103M50PT	K22170817	
C 3258	CHIP CAP.	0.01uF	50V	B	GRM40B103M50PT	K22170817	
C 3259	CHIP CAP.	0.1uF	25V	F	GRM40F104Z25PT	K22141005	
C 3260	CHIP CAP.	0.1uF	25V	F	GRM40F104Z25PT	K22141005	
C 3261	CHIP CAP.	0.01uF	50V	B	GRM40B103M50PT	K22170817	
C 3262	CHIP CAP.	0.047uF	50V	F	GRM40F473Z50PT	K22171008	
C 3263	CHIP CAP.	0.047uF	50V	F	GRM40F473Z50PT	K22171008	
C 3264	CHIP CAP.	0.047uF	50V	F	GRM40F473Z50PT	K22171008	
C 3265	CHIP CAP.	0.01uF	50V	B	GRM40B103M50PT	K22170817	
C 3266	CHIP CAP.	0.047uF	50V	F	GRM40F473Z50PT	K22171008	
C 3267	CHIP CAP.	0.047uF	50V	F	GRM40F473Z50PT	K22171008	
C 3268	AL. ELECTRO. CAP.	1uF	50V		50V010M4X7TR2	K46170030	
C 3269	TANTALUM CAP.	2.2uF	35V		DN1V2R2M1S	K70167225	
C 3271	AL. ELECTRO. CAP.	47uF	16V		RC2-16V470M-T34	K46120010	
CO3001	CERAMIC OSC				CSA4.00MG5	H7900170	
D 3001	DIODE				FC-52M	G2090073	
D 3002	DIODE				1SS270TJ	G2060004	
D 3003	DIODE				HZ5C1	G2090188	
D 3004	DIODE				1SS270TJ	G2060004	
D 3005	DIODE				ND487C1-3R	G2090247	

AF Unit Parts List

REF.	DESCRIPTION	VALUE	WV	TOL.	MFGR'S DESIG	YAESU P/N	VERS.
D 3006	DIODE				1SS270TJ	G2060004	
D 3007	DIODE				1SS270TJ	G2060004	
D 3008	DIODE				1SS270TJ	G2060004	
D 3009	DIODE				1SS270TJ	G2060004	
D 3010	DIODE				1SS270TJ	G2060004	
D 3011	DIODE				1SS270TJ	G2060004	
D 3012	DIODE				1SS270TJ	G2060004	
D 3013	DIODE				1SS270TJ	G2060004	
D 3014	DIODE				1SS270TJ	G2060004	
D 3015	DIODE				1SS270TJ	G2060004	
D 3016	DIODE				1SS270TJ	G2060004	
D 3017	DIODE				1SS270TJ	G2060004	
D 3018	DIODE				1SS270TJ	G2060004	
D 3019	DIODE				1SS270TJ	G2060004	
D 3020	DIODE				1SS270TJ	G2060004	
D 3021	DIODE				1SS270TJ	G2060004	
D 3022	DIODE				1SS270TJ	G2060004	
D 3023	DIODE				1SS270TJ	G2060004	
D 3024	DIODE				1SS270TJ	G2060004	
D 3025	DIODE				1SS270TJ	G2060004	
D 3026	DIODE				1SS270TJ	G2060004	
D 3027	DIODE				1SS270TJ	G2060004	
D 3028	DIODE				HZ5C1	G2090188	
D 3029	DIODE				HZ5C1	G2090188	
D 3030	DIODE				1SS270TJ	G2060004	
D 3031	DIODE				1SS270TJ	G2060004	
D 3032	DIODE				1SS270TJ	G2060004	
D 3033	DIODE				1SS270TJ	G2060004	
D 3034	DIODE				1SS270TJ	G2060004	
D 3035	DIODE				1SS270TJ	G2060004	
D 3036	DIODE				1SS270TJ	G2060004	
D 3037	DIODE				1SS270TJ	G2060004	
D 3038	DIODE				1SS270TJ	G2060004	
D 3039	DIODE				1SS270TJ	G2060004	
D 3042	DIODE				1SS270TJ	G2060004	
D 3043	DIODE				1SS270TJ	G2060004	
D 3044	DIODE				1SS270TJ	G2060004	
D 3045	DIODE				1SS270TJ	G2060004	
D 3047	DIODE				HZ7C2	G2090384	
D 3048	DIODE				1SS270TJ	G2060004	
D 3049	DIODE				1SS270TJ	G2060004	
D 3050	DIODE				1SS270TJ	G2060004	
D 3051	DIODE				1SS270TJ	G2060004	
D 3052	DIODE				1SS270TJ	G2060004	
D 3054	DIODE				1SS270TJ	G2060004	
D 3055	DIODE				HZ12B2	G2090149	
D 3056	DIODE				HZ12B2	G2090149	
D 3057	DIODE				1SS270TJ	G2060004	
D 3058	DIODE				1SS270TJ	G2060004	
D 3059	DIODE				1SS270TJ	G2060004	
D 3062	DIODE				1SS270TJ	G2060004	
D 3063	DIODE				1SS270TJ	G2060004	
D 3064	DIODE				1SS270TJ	G2060004	
D 3065	DIODE				1SS270TJ	G2060004	
D 3066	DIODE				1SS270TJ	G2060004	
D 3068	DIODE				1SS270TJ	G2060004	
D 3069	DIODE				1SS270TJ	G2060004	
D 3070	DIODE				1SS270TJ	G2060004	
D 3071	DIODE				1SS270TJ	G2060004	
D 3072	DIODE				1SS270TJ	G2060004	
D 3073	DIODE				HZ3C1	G2090217	
D 3074	DIODE				1SS270TJ	G2060004	
D 3075	DIODE				HZ4C3	G2090226	
D 3076	DIODE				RD3. 3EB2	G2090201	
D 3077	DIODE				1SS270TJ	G2060004	
J 3001	CONNECTOR				SC25-02WS	P0090621	
J 3002	CONNECTOR				JPJ2043-01-211	P1090630	
J 3003	CONNECTOR				SC25-03WS	P0090622	
J 3004	CONNECTOR				SC25-02WS	P0090621	
J 3005	CONNECTOR				SC25-02WS	P0090621	
J 3006	CONNECTOR				SC25-02WS	P0090621	
J 3007	CONNECTOR				SC25-03WS	P0090622	
J 3008	CONNECTOR				TMP-J01X-A2	P1090255	
J 3010	CONNECTOR				SC25-02WS	P0090621	
J 3011	CONNECTOR				SC25-05WS	P0090624	
J 3012	CONNECTOR				TMP-J01X-A2	P1090255	
J 3013	CONNECTOR				SC25-02WS	P0090621	
J 3014	CONNECTOR				SC25-07WS	P0090626	
J 3015	CONNECTOR				SC25-02WS	P0090621	
J 3016	CONNECTOR				SC25-02WS	P0090621	
J 3017	CONNECTOR				SC25-02WS	P0090621	
J 3018	CONNECTOR				SC25-03WS	P0090622	
J 3019	CONNECTOR				SC25-08WS	P0090627	
J 3020	CONNECTOR				SC25-04WS	P0090623	
J 3021	CONNECTOR				SC25-10WS	P0090629	
J 3022	CONNECTOR				SC25-02WS	P0090621	

AF -Unit Parts List

REF.	DESCRIPTION	VALUE	WV	TOL.	MFGR'S DESIG	YAESU P/N	VERS.
J 3023	CONNECTOR				SC25-06WS	P0090625	
J 3024	CONNECTOR				SC25-07WS	P0090626	
J 3025	CONNECTOR				SC25-02WS	P0090621	
J 3026	CONNECTOR				SC25-05WS	P0090624	
J 3027	CONNECTOR				S-G4617#02	P1090697	
J 3029	CONNECTOR				TCS5073-14-4151	P1090645	
J 3030	CONNECTOR				TCS5073-15-4151	P1090646	
J 3031	CONNECTOR				TCS5073-17-4151	P1090648	
J 3032	CONNECTOR				TCS5073-16-4151	P1090647	
J 3033	CONNECTOR				SC25-04WS	P0090623	
J 3034	CONNECTOR				SC25-05WS	P0090624	
J 3035	CONNECTOR				SC25-02WS	P0090621	
J 3036	CONNECTOR				SC25-05WS	P0090624	
J 3037	CONNECTOR				SC25-03WS	P0090622	
J 3039	CONNECTOR				SC25-03WS	P0090622	
J 3040	CONNECTOR				HSJ0916-01-010	P1090546	
J 3042	CONNECTOR				SC25-05WS	P0090624	
J 3043	CONNECTOR				SC25-03WS	P0090622	
J 3044	CONNECTOR				SC25-02WS	P0090621	
J 3045	CONNECTOR				SC25-03WS	P0090622	
J 3046	CONNECTOR				SC25-02WS	P0090621	
J 3047	CONNECTOR				SG8035#01	P1090350	
J 3048	CONNECTOR				SC25-02WS	P0090621	
J 3049	CONNECTOR				SC25-06WS	P0090625	
J 3051	CONNECTOR				SC25-05WS	P0090624	
J 3052	CONNECTOR				SC25-03WS	P0090622	
J 3053	CONNECTOR				SC25-03WS	P0090622	
L 3001	M. RFC	2. 7uH			LAP02TA2R7K	L1790051	
L 3002	M. RFC	10uH			LAP02TA100K	L1790058	
L 3003	M. RFC	10uH			LAP02TA100K	L1790058	
L 3004	M. RFC	1mH			LAL03NA102K	L1190189	
L 3005	M. RFC	1mH			LAL03NA102K	L1190189	
L 3006	M. RFC	150uH			LAP02TA151K	L1790072	
L 3007	M. RFC	150uH			LAP02TA151K	L1790072	
L 3008	M. RFC	120uH			LAP02TA121K	L1790071	
L 3009	M. RFC	100uH			LAP02TA101K	L1790070	
L 3010	M. RFC	1mH			LAL04NA102K	L1190090	
L 3011	M. RFC	1mH			LAL04NA102K	L1190090	
Q 3001	IC				MC145163SL	G1090739	
Q 3002	TRANSISTOR				2SC2712GR TE85R	G3327127G	
Q 3003	TRANSISTOR				2SC2712GR TE85R	G3327127G	
Q 3004	IC				UPC1037H	G1090101	
Q 3005	TRANSISTOR				2SC2712GR TE85R	G3327127G	
Q 3006	TRANSISTOR				2SC2712GR TE85R	G3327127G	
Q 3007	TRANSISTOR				2SC2712GR TE85R	G3327127G	
Q 3008	IC				UPC1037H	G1090101	
Q 3010	TRANSISTOR				2SC2712GR TE85R	G3327127G	
Q 3011	TRANSISTOR				2SC2712GR TE85R	G3327127G	
Q 3012	TRANSISTOR				2SC2712GR TE85R	G3327127G	
Q 3013	IC				M54455L	G1090697	
Q 3014	TRANSISTOR				2SC2712GR TE85R	G3327127G	
Q 3015	IC				M5218AL	G1091140	
Q 3016	IC				M5218AL	G1091140	
Q 3017	IC				UPD4066BC	G1090283	
Q 3018	TRANSISTOR				FA1A4P-T2B	G3070006	
Q 3019	FET				2SK160-T2B K6	G3801607F	
Q 3020	TRANSISTOR				2SC2712GR TE85R	G3327127G	
Q 3021	TRANSISTOR				FA1A4P-T2B	G3070006	
Q 3022	TRANSISTOR				FA1A4P-T2B	G3070006	
Q 3023	IC				M51523AL	G1090854	
Q 3024	IC				M51523AL	G1090854	
Q 3025	IC				UPD4066BC	G1090283	
Q 3026	TRANSISTOR				FA1A4P-T2B	G3070006	
Q 3027	TRANSISTOR				2SD667C	G3406670C	
Q 3028	TRANSISTOR				2SC2712GR TE85R	G3327127G	
Q 3029	IC				TDA2003	G1090769	
Q 3030	TRANSISTOR				2SC2712GR TE85R	G3327127G	
Q 3031	IC				UPC1037H	G1090101	
Q 3032	TRANSISTOR				2SC2712GR TE85R	G3327127G	
Q 3033	TRANSISTOR				FA1A4P-T2B	G3070006	
Q 3034	TRANSISTOR				2SC2712GR TE85R	G3327127G	
Q 3035	TRANSISTOR				2SC2712GR TE85R	G3327127G	
Q 3036	TRANSISTOR				FA1A4P-T2B	G3070006	
Q 3037	TRANSISTOR				FA1A4P-T2B	G3070006	
Q 3038	TRANSISTOR				FA1A4P-T2B	G3070006	
Q 3039	TRANSISTOR				2SA1283D	G3112830D	
Q 3040	TRANSISTOR				2SA1283D	G3112830D	
Q 3041	IC				M5218AL	G1091140	
Q 3042	IC				M5218AL	G1091140	
Q 3043	IC				UPD4066BC	G1090283	
Q 3044	TRANSISTOR				2SC2712GR TE85R	G3327127G	
Q 3045	IC				NE567N	G1090154	
Q 3046	TRANSISTOR				FA1A4P-T2B	G3070006	
Q 3047	TRANSISTOR				FN1A4P-T2B	G3070011	
Q 3048	TRANSISTOR				2SC2712GR TE85R	G3327127G	

AF Unit Parts List

REF.	DESCRIPTION	VALUE	WV	TOL.	MFGR'S DESIG	YAESU P/N	VERS.
Q 3049	TRANSISTOR				2SC2712GR TE85R	G3327127G	
Q 3050	TRANSISTOR				2SC2712GR TE85R	G3327127G	
Q 3051	TRANSISTOR				2SC2712GR TE85R	G3327127G	
Q 3052	TRANSISTOR				2SC2712GR TE85R	G3327127G	
Q 3054	TRANSISTOR				2SC2712GR TE85R	G3327127G	
Q 3055	TRANSISTOR				2SC2712GR TE85R	G3327127G	
Q 3056	IC				MB8854-1244M	G1090999	
Q 3057	IC				MC14011BCP	G1090068	
Q 3058	TRANSISTOR				FA1A4P-T2B	G3070006	
Q 3059	TRANSISTOR				FN1A4P-T2B	G3070011	
Q 3060	TRANSISTOR				FA1A4P-T2B	G3070006	
Q 3062	TRANSISTOR				FA1A4P-T2B	G3070006	
Q 3063	TRANSISTOR				FA1A4P-T2B	G3070006	
Q 3064	IC				MB88202H-635M	G1091001	
Q 3065	IC				MB88202H-634M	G1091000	
Q 3066	IC				BU4028B	G1092552	
Q 3067	TRANSISTOR				FA1F4N-T2B	G3070007	
Q 3068	TRANSISTOR				FA1A4P-T2B	G3070006	
Q 3069	TRANSISTOR				2SC2712GR TE85R	G3327127G	
Q 3070	TRANSISTOR				FA1A4P-T2B	G3070006	
Q 3071	TRANSISTOR				FA1A4P-T2B	G3070006	
Q 3072	IC				M5218AL	G1091140	
Q 3073	TRANSISTOR				2SC2712GR TE85R	G3327127G	
Q 3074	IC				M5218AL	G1091140	
Q 3075	IC				M5218AL	G1091140	
Q 3076	IC				M5218AL	G1091140	
Q 3077	IC				M5218AL	G1091140	
Q 3078	TRANSISTOR				FA1A4P-T2B	G3070006	
Q 3079	TRANSISTOR				2SC2712GR TE85R	G3327127G	
Q 3080	TRANSISTOR				2SC2712GR TE85R	G3327127G	
Q 3081	TRANSISTOR				2SC2712GR TE85R	G3327127G	
Q 3082	IC				M5218AL	G1091140	
Q 3083	TRANSISTOR				FA1A4P-T2B	G3070006	
Q 3084	TRANSISTOR				FN1A4P-T2B	G3070011	
Q 3087	IC				M51943BML-600C	G1090991	
Q 3088	TRANSISTOR				2SC2002L	G3320020L	
R 3001	CHIP RES.	6.8K	1/10W	5%	RMC1/10T 682J	J24205682	
R 3002	CHIP RES.	2.2K	1/10W	5%	RMC1/10T 222J	J24205222	
R 3003	CHIP RES.	100K	1/10W	5%	RMC1/10T 104J	J24205104	
R 3004	CHIP RES.	10K	1/10W	5%	RMC1/10T 103J	J24205103	
R 3005	CHIP RES.	2.2K	1/10W	5%	RMC1/10T 222J	J24205222	
R 3006	CHIP RES.	100	1/10W	5%	RMC1/10T 101J	J24205101	
R 3007	CHIP RES.	100K	1/10W	5%	RMC1/10T 104J	J24205104	
R 3008	CHIP RES.	100	1/10W	5%	RMC1/10T 101J	J24205101	
R 3009	CHIP RES.	470	1/10W	5%	RMC1/10T 471J	J24205471	
R 3010	CHIP RES.	100	1/10W	5%	RMC1/10T 101J	J24205101	
R 3011	CHIP RES.	0	1/10W	5%	RMC1/10T 000J	J24205000	
R 3012	CHIP RES.	470	1/10W	5%	RMC1/10T 471J	J24205471	
R 3013	CHIP RES.	1K	1/10W	5%	RMC1/10T 102J	J24205102	
R 3014	CHIP RES.	22K	1/10W	5%	RMC1/10T 223J	J24205223	
R 3015	CHIP RES.	100	1/10W	5%	RMC1/10T 101J	J24205101	
R 3017	CHIP RES.	10K	1/10W	5%	RMC1/10T 103J	J24205103	
R 3018	CHIP RES.	100K	1/10W	5%	RMC1/10T 104J	J24205104	
R 3019	CHIP RES.	100	1/10W	5%	RMC1/10T 101J	J24205101	
R 3020	CHIP RES.	470	1/10W	5%	RMC1/10T 471J	J24205471	
R 3021	CHIP RES.	100K	1/10W	5%	RMC1/10T 104J	J24205104	
R 3022	CHIP RES.	100	1/10W	5%	RMC1/10T 101J	J24205101	
R 3023	CHIP RES.	470	1/10W	5%	RMC1/10T 471J	J24205471	
R 3024	CHIP RES.	100	1/10W	5%	RMC1/10T 101J	J24205101	
R 3025	CHIP RES.	270	1/10W	5%	RMC1/10T 271J	J24205271	
R 3026	CHIP RES.	390	1/10W	5%	RMC1/10T 391J	J24205391	
R 3031	CHIP RES.	100K	1/10W	5%	RMC1/10T 104J	J24205104	
R 3032	CHIP RES.	470	1/10W	5%	RMC1/10T 471J	J24205471	
R 3033	CHIP RES.	100	1/10W	5%	RMC1/10T 101J	J24205101	
R 3034	CHIP RES.	56	1/10W	5%	RMC1/10T 560J	J24205560	
R 3035	CHIP RES.	100K	1/10W	5%	RMC1/10T 104J	J24205104	
R 3036	CHIP RES.	100	1/10W	5%	RMC1/10T 101J	J24205101	
R 3037	CHIP RES.	470	1/10W	5%	RMC1/10T 471J	J24205471	
R 3038	CHIP RES.	100K	1/10W	5%	RMC1/10T 104J	J24205104	
R 3039	CHIP RES.	100	1/10W	5%	RMC1/10T 101J	J24205101	
R 3040	CHIP RES.	470	1/10W	5%	RMC1/10T 471J	J24205471	
R 3041	CHIP RES.	470	1/10W	5%	RMC1/10T 471J	J24205471	
R 3042	CHIP RES.	560	1/10W	5%	RMC1/10T 561J	J24205561	
R 3043	CHIP RES.	22K	1/10W	5%	RMC1/10T 223J	J24205223	
R 3044	CHIP RES.	15K	1/10W	5%	RMC1/10T 153J	J24205153	
R 3045	CHIP RES.	4.7K	1/10W	5%	RMC1/10T 472J	J24205472	
R 3046	CHIP RES.	220	1/10W	5%	RMC1/10T 221J	J24205221	
R 3047	CHIP RES.	470	1/10W	5%	RMC1/10T 471J	J24205471	
R 3048	CHIP RES.	470	1/10W	5%	RMC1/10T 471J	J24205471	
R 3049	CHIP RES.	100K	1/10W	5%	RMC1/10T 104J	J24205104	
R 3050	CHIP RES.	100	1/10W	5%	RMC1/10T 101J	J24205101	
R 3051	CHIP RES.	470	1/10W	5%	RMC1/10T 471J	J24205471	
R 3052	CHIP RES.	15K	1/10W	5%	RMC1/10T 153J	J24205153	
R 3053	CHIP RES.	15K	1/10W	5%	RMC1/10T 153J	J24205153	
R 3054	CHIP RES.	47K	1/10W	5%	RMC1/10T 473J	J24205473	
R 3055	CHIP RES.	10K	1/10W	5%	RMC1/10T 103J	J24205103	

AF Unit Parts List

REF.	DESCRIPTION	VALUE	WV	TOL.	MFGR'S DESIG	YAESU P/N	VERS.
R 3056	CHIP RES.	10K	1/10W	5%	RMC1/10T 103J	J24205103	
R 3057	CHIP RES.	47K	1/10W	5%	RMC1/10T 473J	J24205473	
R 3058	CHIP RES.	12K	1/10W	5%	RMC1/10T 123J	J24205123	
R 3059	CHIP RES.	12K	1/10W	5%	RMC1/10T 123J	J24205123	
R 3060	CHIP RES.	47K	1/10W	5%	RMC1/10T 473J	J24205473	
R 3061	CHIP RES.	1K	1/10W	5%	RMC1/10T 102J	J24205102	
R 3062	CHIP RES.	18K	1/10W	5%	RMC1/10T 183J	J24205183	
R 3063	CHIP RES.	10K	1/10W	5%	RMC1/10T 103J	J24205103	
R 3064	CHIP RES.	10K	1/10W	5%	RMC1/10T 103J	J24205103	
R 3065	CHIP RES.	330K	1/10W	5%	RMC1/10T 334J	J24205334	
R 3066	CHIP RES.	3. 3K	1/10W	5%	RMC1/10T 332J	J24205332	
R 3067	CHIP RES.	150	1/10W	5%	RMC1/10T 151J	J24205151	
R 3068	CHIP RES.	22K	1/10W	5%	RMC1/10T 223J	J24205223	
R 3069	CHIP RES.	47K	1/10W	5%	RMC1/10T 473J	J24205473	
R 3070	CHIP RES.	100K	1/10W	5%	RMC1/10T 104J	J24205104	
R 3071	CHIP RES.	100K	1/10W	5%	RMC1/10T 104J	J24205104	
R 3072	CHIP RES.	100K	1/10W	5%	RMC1/10T 104J	J24205104	
R 3073	CHIP RES.	100K	1/10W	5%	RMC1/10T 104J	J24205104	
R 3074	CHIP RES.	100K	1/10W	5%	RMC1/10T 104J	J24205104	
R 3075	CHIP RES.	100K	1/10W	5%	RMC1/10T 104J	J24205104	
R 3076	CHIP RES.	100K	1/10W	5%	RMC1/10T 104J	J24205104	
R 3077	CHIP RES.	100K	1/10W	5%	RMC1/10T 104J	J24205104	
R 3078	CHIP RES.	47K	1/10W	5%	RMC1/10T 473J	J24205473	
R 3079	CHIP RES.	100K	1/10W	5%	RMC1/10T 104J	J24205104	
R 3080	CHIP RES.	68K	1/10W	5%	RMC1/10T 683J	J24205683	
R 3081	CHIP RES.	100K	1/10W	5%	RMC1/10T 104J	J24205104	
R 3083	CHIP RES.	47K	1/10W	5%	RMC1/10T 473J	J24205473	
R 3084	CHIP RES.	4. 7K	1/10W	5%	RMC1/10T 472J	J24205472	
R 3085	CHIP RES.	22K	1/10W	5%	RMC1/10T 223J	J24205223	
R 3086	CHIP RES.	68K	1/10W	5%	RMC1/10T 683J	J24205683	
R 3087	CHIP RES.	100	1/10W	5%	RMC1/10T 101J	J24205101	
R 3088	CHIP RES.	3. 3K	1/10W	5%	RMC1/10T 332J	J24205332	
R 3089	CHIP RES.	4. 7K	1/10W	5%	RMC1/10T 472J	J24205472	
R 3090	CHIP RES.	68	1/10W	5%	RMC1/10T 680J	J24205680	
R 3091	CHIP RES.	1K	1/10W	5%	RMC1/10T 102J	J24205102	
R 3093	CHIP RES.	2. 2K	1/10W	5%	RMC1/10T 222J	J24205222	
R 3094	CHIP RES.	4. 7K	1/10W	5%	RMC1/10T 472J	J24205472	
R 3096	CHIP RES.	330K	1/10W	5%	RMC1/10T 334J	J24205334	
R 3097	CHIP RES.	1K	1/10W	5%	RMC1/10T 102J	J24205102	
R 3098	CHIP RES.	330K	1/10W	5%	RMC1/10T 334J	J24205334	
R 3100	CHIP RES.	10K	1/10W	5%	RMC1/10T 103J	J24205103	
R 3101	CHIP RES.	56K	1/10W	5%	RMC1/10T 563J	J24205563	
R 3103	CHIP RES.	100K	1/10W	5%	RMC1/10T 104J	J24205104	
R 3105	CHIP RES.	10K	1/10W	5%	RMC1/10T 103J	J24205103	
R 3106	CHIP RES.	10K	1/10W	5%	RMC1/10T 103J	J24205103	
R 3107	CHIP RES.	10K	1/10W	5%	RMC1/10T 103J	J24205103	
R 3108	CHIP RES.	100K	1/10W	5%	RMC1/10T 104J	J24205104	
R 3109	CARBON FILM RES.	330	1/6W	5%	RD16TPJ331 330	J07225331	
R 3110	CARBON FILM RES.	2. 2	1/6W	5%	RD16TPJ2R2 2. 2	J07225229	
R 3111	CARBON FILM RES.	1	1/6W	5%	RD16TPJ010 1	J07225010	
R 3113	CHIP RES.	2. 2K	1/10W	5%	RMC1/10T 222J	J24205222	
R 3116	CHIP RES.	10K	1/10W	5%	RMC1/10T 103J	J24205103	
R 3117	CHIP RES.	100	1/10W	5%	RMC1/10T 101J	J24205101	
R 3118	CHIP RES.	100	1/10W	5%	RMC1/10T 101J	J24205101	
R 3119	CHIP RES.	100	1/10W	5%	RMC1/10T 101J	J24205101	
R 3120	CHIP RES.	68K	1/10W	5%	RMC1/10T 683J	J24205683	
R 3121	CHIP RES.	220	1/10W	5%	RMC1/10T 221J	J24205221	
R 3122	CHIP RES.	220	1/10W	5%	RMC1/10T 221J	J24205221	
R 3123	CHIP RES.	150	1/10W	5%	RMC1/10T 151J	J24205151	
R 3124	CHIP RES.	100	1/10W	5%	RMC1/10T 101J	J24205101	
R 3125	CHIP RES.	1K	1/10W	5%	RMC1/10T 102J	J24205102	
R 3126	CHIP RES.	2. 2K	1/10W	5%	RMC1/10T 222J	J24205222	
R 3127	CHIP RES.	220	1/10W	5%	RMC1/10T 221J	J24205221	
R 3128	CHIP RES.	15K	1/10W	5%	RMC1/10T 153J	J24205153	
R 3129	CHIP RES.	100	1/10W	5%	RMC1/10T 101J	J24205101	
R 3130	CHIP RES.	47K	1/10W	5%	RMC1/10T 473J	J24205473	
R 3131	CHIP RES.	100	1/10W	5%	RMC1/10T 101J	J24205101	
R 3132	CHIP RES.	3. 3K	1/10W	5%	RMC1/10T 332J	J24205332	
R 3133	CHIP RES.	68K	1/10W	5%	RMC1/10T 683J	J24205683	
R 3134	CHIP RES.	180	1/10W	5%	RMC1/10T 181J	J24205181	
R 3135	CHIP RES.	1K	1/10W	5%	RMC1/10T 102J	J24205102	
R 3136	CHIP RES.	22K	1/10W	5%	RMC1/10T 223J	J24205223	
R 3139	CHIP RES.	47K	1/10W	5%	RMC1/10T 473J	J24205473	
R 3140	CHIP RES.	15K	1/10W	5%	RMC1/10T 153J	J24205153	
R 3141	CHIP RES.	4. 7K	1/10W	5%	RMC1/10T 472J	J24205472	
R 3142	CHIP RES.	1K	1/10W	5%	RMC1/10T 102J	J24205102	
R 3143	CHIP RES.	100	1/10W	5%	RMC1/10T 101J	J24205101	
R 3144	CHIP RES.	2. 2K	1/10W	5%	RMC1/10T 222J	J24205222	
R 3145	CHIP RES.	100K	1/10W	5%	RMC1/10T 104J	J24205104	
R 3147	CHIP RES.	22K	1/10W	5%	RMC1/10T 223J	J24205223	
R 3148	CHIP RES.	18K	1/10W	5%	RMC1/10T 183J	J24205183	
R 3149	CHIP RES.	82	1/10W	5%	RMC1/10T 820J	J24205820	
R 3150	CHIP RES.	470	1/10W	5%	RMC1/10T 471J	J24205471	
R 3151	CHIP RES.	10K	1/10W	5%	RMC1/10T 103J	J24205103	
R 3152	CHIP RES.	1K	1/10W	5%	RMC1/10T 102J	J24205102	
R 3153	CHIP RES.	100K	1/10W	5%	RMC1/10T 104J	J24205104	
R 3154	CHIP RES.	100K	1/10W	5%	RMC1/10T 104J	J24205104	

AF Unit Parts List

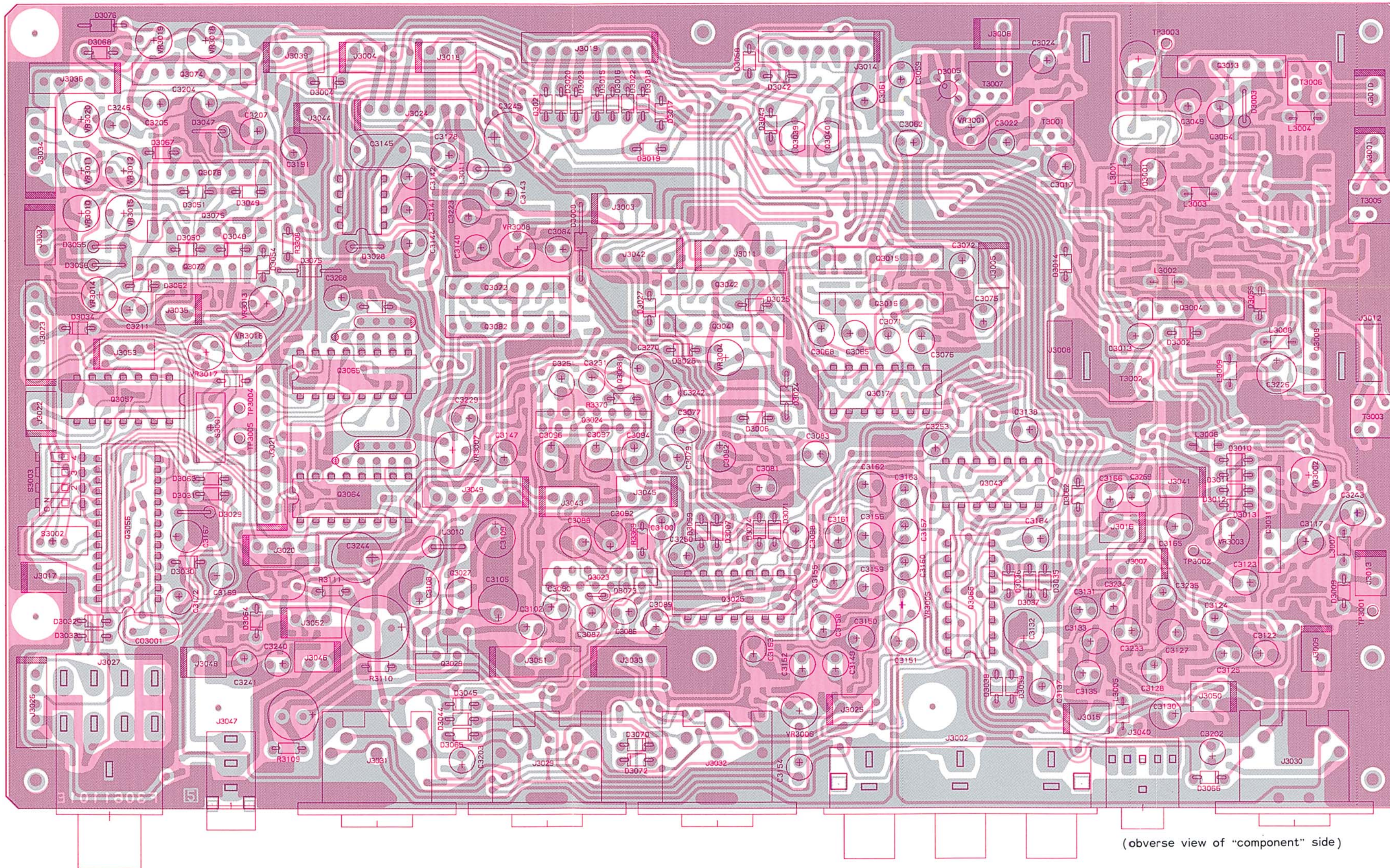
REF.	DESCRIPTION	VALUE	WV	TOL.	MFGR'S DESIG	YAESU P/N	VERS.
R 3155	CHIP RES.	4. 7K	1/10W	5%	RMC1/10T 472J	J24205472	
R 3156	CHIP RES.	100K	1/10W	5%	RMC1/10T 104J	J24205104	
R 3157	CHIP RES.	33K	1/10W	5%	RMC1/10T 333J	J24205333	
R 3158	CHIP RES.	2. 2M	1/10W	5%	RMC1/10T 225J	J24205225	
R 3159	CHIP RES.	2. 2M	1/10W	5%	RMC1/10T 225J	J24205225	
R 3160	CHIP RES.	470	1/10W	5%	RMC1/10T 471J	J24205471	
R 3161	CHIP RES.	2. 7K	1/10W	5%	RMC1/10T 272J	J24205272	
R 3162	CHIP RES.	47K	1/10W	5%	RMC1/10T 473J	J24205473	
R 3163	CHIP RES.	47K	1/10W	5%	RMC1/10T 473J	J24205473	
R 3164	CHIP RES.	1K	1/10W	5%	RMC1/10T 102J	J24205102	
R 3165	CHIP RES.	10K	1/10W	5%	RMC1/10T 103J	J24205103	
R 3166	CHIP RES.	47K	1/10W	5%	RMC1/10T 473J	J24205473	
R 3167	CHIP RES.	47K	1/10W	5%	RMC1/10T 473J	J24205473	
R 3168	CHIP RES.	47K	1/10W	5%	RMC1/10T 473J	J24205473	
R 3170	CHIP RES.	10K	1/10W	5%	RMC1/10T 103J	J24205103	
R 3171	CHIP RES.	100K	1/10W	5%	RMC1/10T 104J	J24205104	
R 3172	CHIP RES.	100	1/10W	5%	RMC1/10T 101J	J24205101	
R 3173	CHIP RES.	1K	1/10W	5%	RMC1/10T 102J	J24205102	
R 3174	CHIP RES.	330	1/10W	5%	RMC1/10T 331J	J24205331	
R 3175	CHIP RES.	100	1/10W	5%	RMC1/10T 101J	J24205101	
R 3176	CHIP RES.	100K	1/10W	5%	RMC1/10T 104J	J24205104	
R 3177	CHIP RES.	1K	1/10W	5%	RMC1/10T 102J	J24205102	
R 3178	CHIP RES.	10K	1/10W	5%	RMC1/10T 103J	J24205103	
R 3179	CHIP RES.	1K	1/10W	5%	RMC1/10T 102J	J24205102	
R 3180	CHIP RES.	100K	1/10W	5%	RMC1/10T 104J	J24205104	
R 3181	CHIP RES.	100	1/10W	5%	RMC1/10T 101J	J24205101	
R 3182	CHIP RES.	1K	1/10W	5%	RMC1/10T 102J	J24205102	
R 3183	CHIP RES.	100K	1/10W	5%	RMC1/10T 104J	J24205104	
R 3184	CHIP RES.	100	1/10W	5%	RMC1/10T 101J	J24205101	
R 3185	CHIP RES.	1K	1/10W	5%	RMC1/10T 102J	J24205102	
R 3186	CHIP RES.	100K	1/10W	5%	RMC1/10T 104J	J24205104	
R 3187	CHIP RES.	100	1/10W	5%	RMC1/10T 101J	J24205101	
R 3188	CHIP RES.	1K	1/10W	5%	RMC1/10T 102J	J24205102	
R 3189	CHIP RES.	1K	1/10W	5%	RMC1/10T 102J	J24205102	
R 3190	CHIP RES.	100K	1/10W	5%	RMC1/10T 104J	J24205104	
R 3191	CHIP RES.	100	1/10W	5%	RMC1/10T 101J	J24205101	
R 3192	CHIP RES.	1K	1/10W	5%	RMC1/10T 102J	J24205102	
R 3193	CHIP RES.	1K	1/10W	5%	RMC1/10T 102J	J24205102	
R 3194	CHIP RES.	100K	1/10W	5%	RMC1/10T 104J	J24205104	
R 3195	CHIP RES.	100	1/10W	5%	RMC1/10T 101J	J24205101	
R 3196	CHIP RES.	1K	1/10W	5%	RMC1/10T 102J	J24205102	
R 3201	CHIP RES.	1K	1/10W	5%	RMC1/10T 102J	J24205102	
R 3202	CHIP RES.	1K	1/10W	5%	RMC1/10T 102J	J24205102	
R 3203	CHIP RES.	1K	1/10W	5%	RMC1/10T 102J	J24205102	
R 3204	CHIP RES.	1K	1/10W	5%	RMC1/10T 102J	J24205102	
R 3205	CHIP RES.	22K	1/10W	5%	RMC1/10T 223J	J24205223	
R 3206	CHIP RES.	10K	1/10W	5%	RMC1/10T 103J	J24205103	
R 3207	CHIP RES.	330K	1/10W	5%	RMC1/10T 334J	J24205334	
R 3208	CHIP RES.	100K	1/10W	5%	RMC1/10T 104J	J24205104	
R 3209	CHIP RES.	10K	1/10W	5%	RMC1/10T 103J	J24205103	
R 3210	CHIP RES.	100K	1/10W	5%	RMC1/10T 104J	J24205104	
R 3211	CHIP RES.	100K	1/10W	5%	RMC1/10T 104J	J24205104	
R 3212	CHIP RES.	100K	1/10W	5%	RMC1/10T 104J	J24205104	
R 3213	CHIP RES.	10K	1/10W	5%	RMC1/10T 103J	J24205103	
R 3214	CHIP RES.	10K	1/10W	5%	RMC1/10T 103J	J24205103	
R 3219	CHIP RES.	47K	1/10W	5%	RMC1/10T 473J	J24205473	
R 3224	CHIP RES.	47K	1/10W	5%	RMC1/10T 473J	J24205473	
R 3225	CHIP RES.	10K	1/10W	5%	RMC1/10T 103J	J24205103	
R 3226	CHIP RES.	10K	1/10W	5%	RMC1/10T 103J	J24205103	
R 3227	CHIP RES.	33K	1/10W	5%	RMC1/10T 333J	J24205333	
R 3228	CHIP RES.	10K	1/10W	5%	RMC1/10T 103J	J24205103	
R 3229	CHIP RES.	10K	1/10W	5%	RMC1/10T 103J	J24205103	
R 3230	CHIP RES.	15K	1/10W	5%	RMC1/10T 153J	J24205153	
R 3231	CHIP RES.	15K	1/10W	5%	RMC1/10T 153J	J24205153	
R 3232	CHIP RES.	1K	1/10W	5%	RMC1/10T 102J	J24205102	
R 3233	CHIP RES.	10K	1/10W	5%	RMC1/10T 103J	J24205103	
R 3234	CHIP RES.	10K	1/10W	5%	RMC1/10T 103J	J24205103	
R 3235	CHIP RES.	1K	1/10W	5%	RMC1/10T 102J	J24205102	
R 3237	CHIP RES.	68K	1/10W	5%	RMC1/10T 683J	J24205683	
R 3238	CHIP RES.	100K	1/10W	5%	RMC1/10T 104J	J24205104	
R 3239	CHIP RES.	10K	1/10W	5%	RMC1/10T 103J	J24205103	
R 3240	CHIP RES.	100K	1/10W	5%	RMC1/10T 104J	J24205104	
R 3241	CHIP RES.	220K	1/10W	5%	RMC1/10T 224J	J24205224	
R 3242	CHIP RES.	3. 3K	1/10W	5%	RMC1/10T 332J	J24205332	
R 3243	CHIP RES.	4. 7K	1/10W	5%	RMC1/10T 472J	J24205472	
R 3244	CHIP RES.	1M	1/10W	5%	RMC1/10T 105J	J24205105	
R 3245	CHIP RES.	3. 3K	1/10W	5%	RMC1/10T 332J	J24205332	
R 3246	CHIP RES.	10K	1/10W	5%	RMC1/10T 103J	J24205103	
R 3248	CHIP RES.	330K	1/10W	5%	RMC1/10T 334J	J24205334	
R 3249	CHIP RES.	10K	1/10W	5%	RMC1/10T 103J	J24205103	
R 3250	CHIP RES.	3. 9K	1/10W	5%	RMC1/10T 392J	J24205392	
R 3251	CHIP RES.	47K	1/10W	5%	RMC1/10T 473J	J24205473	
R 3252	CHIP RES.	100K	1/10W	5%	RMC1/10T 104J	J24205104	
R 3253	CHIP RES.	100K	1/10W	5%	RMC1/10T 104J	J24205104	
R 3255	CHIP RES.	10K	1/10W	5%	RMC1/10T 103J	J24205103	
R 3256	CHIP RES.	150K	1/10W	5%	RMC1/10T 154J	J24205154	
R 3257	CHIP RES.	100K	1/10W	5%	RMC1/10T 104J	J24205104	

AF Unit Parts List

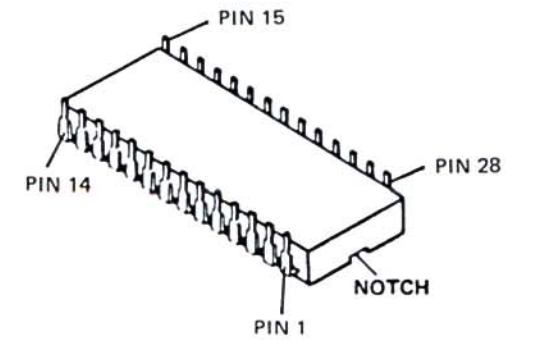
REF.	DESCRIPTION	VALUE	WV	TOL.	MFRG'S DESIG	YAESU P/N	VERS.
R 3258	CHIP RES.	150K	1/10W	5%	RMC1/10T 154J	J24205154	
R 3259	CHIP RES.	33K	1/10W	5%	RMC1/10T 333J	J24205333	
R 3260	CHIP RES.	150K	1/10W	5%	RMC1/10T 154J	J24205154	
R 3261	CHIP RES.	270K	1/10W	5%	RMC1/10T 274J	J24205274	
R 3262	CHIP RES.	150K	1/10W	5%	RMC1/10T 154J	J24205154	
R 3263	CHIP RES.	33K	1/10W	5%	RMC1/10T 333J	J24205333	
R 3264	CHIP RES.	47K	1/10W	5%	RMC1/10T 473J	J24205473	
R 3265	CHIP RES.	47K	1/10W	5%	RMC1/10T 473J	J24205473	
R 3266	CHIP RES.	1. 5K	1/10W	0. 1%	RR1220P-152-B	J24209078	
R 3267	CHIP RES.	10K	1/10W	0. 5%	RR1220P-103-D-T5	J24209195	
R 3268	CHIP RES.	10K	1/10W	0. 5%	RR1220P-103-D-T5	J24209195	
R 3269	CHIP RES.	220K	1/10W	0. 5%	RR1220R-224-D-T5	J24209227	
R 3270	CHIP RES.	220K	1/10W	0. 5%	RR1220R-224-D-T5	J24209227	
R 3271	CHIP RES.	1. 5K	1/10W	5%	RMC1/10T 152J	J24205152	
R 3272	CHIP RES.	2. 2K	1/10W	5%	RMC1/10T 222J	J24205222	
R 3273	CHIP RES.	2. 2K	1/10W	5%	RMC1/10T 222J	J24205222	
R 3274	CHIP RES.	330K	1/10W	5%	RMC1/10T 334J	J24205334	
R 3275	CHIP RES.	33K	1/10W	5%	RMC1/10T 333J	J24205333	
R 3276	CHIP RES.	220K	1/10W	5%	RMC1/10T 224J	J24205224	
R 3277	CHIP RES.	47K	1/10W	5%	RMC1/10T 473J	J24205473	
R 3278	CHIP RES.	100K	1/10W	5%	RMC1/10T 104J	J24205104	
R 3279	CHIP RES.	100K	1/10W	5%	RMC1/10T 104J	J24205104	
R 3280	CHIP RES.	47K	1/10W	5%	RMC1/10T 473J	J24205473	
R 3281	CHIP RES.	4. 7K	1/10W	5%	RMC1/10T 472J	J24205472	
R 3282	CHIP RES.	1. 5K	1/10W	5%	RMC1/10T 152J	J24205152	
R 3283	CHIP RES.	4. 7K	1/10W	5%	RMC1/10T 472J	J24205472	
R 3284	CHIP RES.	1K	1/10W	5%	RMC1/10T 102J	J24205102	
R 3286	CHIP RES.	100	1/10W	5%	RMC1/10T 101J	J24205101	
R 3287	CHIP RES.	47K	1/10W	5%	RMC1/10T 473J	J24205473	
R 3288	CHIP RES.	330K	1/10W	5%	RMC1/10T 334J	J24205334	
R 3289	CHIP RES.	4. 7K	1/10W	5%	RMC1/10T 472J	J24205472	
R 3290	CHIP RES.	1. 5K	1/10W	0. 1%	RR1220P-152-B	J24209078	
R 3291	CHIP RES.	1K	1/10W	5%	RMC1/10T 102J	J24205102	
R 3292	CHIP RES.	10K	1/10W	5%	RMC1/10T 103J	J24205103	
R 3293	CHIP RES.	1K	1/10W	5%	RMC1/10T 102J	J24205102	
R 3294	CHIP RES.	100K	1/10W	5%	RMC1/10T 104J	J24205104	
R 3295	CHIP RES.	330	1/10W	5%	RMC1/10T 331J	J24205331	
R 3296	CHIP RES.	220	1/10W	5%	RMC1/10T 221J	J24205221	
R 3298	CHIP RES.	100K	1/10W	5%	RMC1/10T 104J	J24205104	
R 3300	CHIP RES.	100K	1/10W	5%	RMC1/10T 104J	J24205104	
R 3301	CHIP RES.	100K	1/10W	5%	RMC1/10T 104J	J24205104	
R 3302	CHIP RES.	100K	1/10W	5%	RMC1/10T 104J	J24205104	
R 3303	CHIP RES.	100K	1/10W	5%	RMC1/10T 104J	J24205104	
R 3304	CHIP RES.	100K	1/10W	5%	RMC1/10T 104J	J24205104	
R 3305	CHIP RES.	1K	1/10W	5%	RMC1/10T 102J	J24205102	
R 3306	CHIP RES.	1K	1/10W	5%	RMC1/10T 102J	J24205102	
R 3308	CARBON FILM RES.	1K	1/6W	5%	RD16TPJ102 1K	J07225102	
R 3309	CHIP RES.	3. 3K	1/10W	5%	RMC1/10T 332J	J24205332	
R 3310	CHIP RES.	56	1/10W	5%	RMC1/10T 560J	J24205560	
R 3311	CHIP RES.	3. 3K	1/10W	5%	RMC1/10T 332J	J24205332	
R 3312	CHIP RES.	100K	1/10W	5%	RMC1/10T 104J	J24205104	
R 3313	CHIP RES.	10K	1/10W	5%	RMC1/10T 103J	J24205103	
R 3314	CHIP RES.	100K	1/10W	5%	RMC1/10T 104J	J24205104	
R 3315	CHIP RES.	100	1/10W	5%	RMC1/10T 101J	J24205101	
R 3316	CHIP RES.	100K	1/10W	5%	RMC1/10T 104J	J24205104	
R 3317	CHIP RES.	1K	1/10W	5%	RMC1/10T 102J	J24205102	
R 3318	CHIP RES.	10K	1/10W	5%	RMC1/10T 103J	J24205103	
R 3319	CHIP RES.	150K	1/10W	5%	RMC1/10T 154J	J24205154	
R 3320	CHIP RES.	100	1/10W	5%	RMC1/10T 101J	J24205101	
R 3321	CHIP RES.	47K	1/10W	5%	RMC1/10T 473J	J24205473	
R 3322	CHIP RES.	39K	1/10W	5%	RMC1/10T 393J	J24205393	
R 3323	CHIP RES.	10K	1/10W	5%	RMC1/10T 103J	J24205103	
R 3324	CHIP RES.	220K	1/10W	5%	RMC1/10T 224J	J24205224	
R 3325	CHIP RES.	100	1/10W	5%	RMC1/10T 101J	J24205101	
R 3326	CHIP RES.	100K	1/10W	5%	RMC1/10T 104J	J24205104	
R 3327	CHIP RES.	1K	1/10W	5%	RMC1/10T 102J	J24205102	
R 3328	CHIP RES.	33K	1/10W	5%	RMC1/10T 333J	J24205333	
R 3329	CHIP RES.	18K	1/10W	5%	RMC1/10T 183J	J24205183	
R 3330	CHIP RES.	18K	1/10W	5%	RMC1/10T 183J	J24205183	
R 3331	CHIP RES.	15K	1/10W	5%	RMC1/10T 153J	J24205153	
R 3332	CHIP RES.	15K	1/10W	5%	RMC1/10T 153J	J24205153	
R 3333	CHIP RES.	56K	1/10W	5%	RMC1/10T 563J	J24205563	
R 3334	CHIP RES.	10K	1/10W	5%	RMC1/10T 103J	J24205103	
R 3335	CHIP RES.	5. 6K	1/10W	5%	RMC1/10T 562J	J24205562	
R 3336	CHIP RES.	150K	1/10W	5%	RMC1/10T 154J	J24205154	
R 3337	CHIP RES.	150K	1/10W	5%	RMC1/10T 154J	J24205154	
R 3338	CHIP RES.	56K	1/10W	5%	RMC1/10T 563J	J24205563	
R 3339	CHIP RES.	0	1/10W	5%	RMC1/10T 000J	J24205000	
R 3340	CHIP RES.	1K	1/10W	5%	RMC1/10T 102J	J24205102	
R 3341	CHIP RES.	47K	1/10W	5%	RMC1/10T 473J	J24205473	
R 3343	CHIP RES.	100K	1/10W	5%	RMC1/10T 104J	J24205104	
R 3344	CHIP RES.	100K	1/10W	5%	RMC1/10T 104J	J24205104	
R 3345	CHIP RES.	10	1/10W	5%	RMC1/10T 100J	J24205100	
R 3346	CHIP RES.	4. 7K	1/10W	5%	RMC1/10T 472J	J24205472	
R 3347	CHIP RES.	15K	1/10W	5%	RMC1/10T 153J	J24205153	
R 3348	CHIP RES.	0	1/10W	5%	RMC1/10T 000J	J24205000	
R 3350	CHIP RES.	2. 2K	1/10W	5%	RMC1/10T 222J	J24205222	

AF Unit Parts List

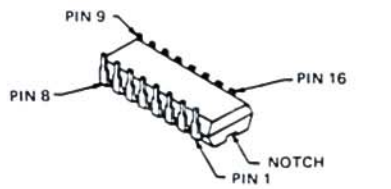
REF.	DESCRIPTION	VALUE	WV	TOL.	MFRG'S DESIG	YAESU P/N	VERS.
R 3351	CHIP RES.	47K	1/10W	5%	RMC1/10T 473J	J24205473	
R 3352	CHIP RES.	100K	1/10W	5%	RMC1/10T 104J	J24205104	
R 3353	CHIP RES.	100K	1/10W	5%	RMC1/10T 104J	J24205104	
R 3354	CHIP RES.	100K	1/10W	5%	RMC1/10T 104J	J24205104	
R 3355	CHIP RES.	220	1/10W	5%	RMC1/10T 221J	J24205221	
R 3356	CHIP RES.	1.2K	1/10W	5%	RMC1/10T 122J	J24205122	
R 3357	CHIP RES.	1K	1/10W	5%	RMC1/10T 102J	J24205102	
R 3358	CHIP RES.	1K	1/10W	5%	RMC1/10T 102J	J24205102	
R 3359	CHIP RES.	4.7K	1/10W	5%	RMC1/10T 472J	J24205472	
R 3360	CHIP RES.	100	1/10W	5%	RMC1/10T 101J	J24205101	
R 3361	CHIP RES.	100	1/10W	5%	RMC1/10T 101J	J24205101	
R 3365	CHIP RES.	1K	1/10W	5%	RMC1/10T 102J	J24205102	
R 3366	CHIP RES.	2.2K	1/10W	5%	RMC1/10T 222J	J24205222	
R 3367	CHIP RES.	100K	1/10W	5%	RMC1/10T 104J	J24205104	
R 3368	CHIP RES.	68K	1/10W	5%	RMC1/10T 683J	J24205683	
R 3369	CARBON FILM RES.	0	1/6W	5%	RD16TPJ000 0	J07225000	
R 3370	CARBON FILM RES.	0	1/6W	5%	RD16TPJ000 0	J07225000	
R 3371	CHIP RES.	10K	1/10W	5%	RMC1/10T 103J	J24205103	
R 3372	CARBON FILM RES.	2.2K	1/6W	5%	RD16TPJ222 2.2K	J07225222	
R 3373	CARBON FILM RES.	0	1/6W	5%	RD16TPJ000 0	J07225000	
RB3001	BLOCK RES.				EXB-LE4104S	J40900176	
RB3002	BLOCK RES.				EXB-LE4104S	J40900176	
S 3001	SLIDE SWITCH				SS912	N6090064	
S 3002	SLIDE SWITCH				SS912	N6090064	
S 3003	DIP SWITCH				SCS-04A R66-3245	N7090012	
T 3001	COIL				R12-J763A	L0021965	
T 3003	COIL					L0021484	
T 3005	COIL					L0021484	
T 3006	COIL					L0021484	
T 3007	COIL				4-1 2D3 TR6X3	L0020788A	
TC3001	TRIMMER CAP.	50pF			VCT51G	K91000089	
TP3001	TP-F				IPS-1032	Q5000026	
TP3002	TP-F				IPS-1032	Q5000026	
TP3003	TP-E/				MS-60124	Q5000016	
TP3004	TP-F				IPS-1032	Q5000026	
TP3005	TP-F				IPS-1032	Q5000026	
VR3001	POT.	1KB			H0651A007-1KB	J51745102	
VR3002	POT.	10KB			H0651A013-10KB	J51745103	
VR3003	POT.	10KB			H0651A013-10KB	J51745103	
VR3004	POT.	470KB			H0651A023-470KB	J51745474	
VR3005	POT.	1KB			H0651A007-1KB	J51745102	
VR3006	POT.	1KB			H0651A007-1KB	J51745102	
VR3007	POT.	10KB			H0651A013-10KB	J51745103	
VR3008	POT.	10KB			H0651A013-10KB	J51745103	
VR3011	POT.	10KB			H0651A013-10KB	J51745103	
VR3012	POT.	10KB			H0651A013-10KB	J51745103	
VR3013	POT.	10KB			H0651A013-10KB	J51745103	
VR3014	POT.	47KB			H0651A017-47KB	J51745473	
VR3015	POT.	10KB			H0651A013-10KB	J51745103	
VR3016	POT.	10KB			H0651A013-10KB	J51745103	
VR3017	POT.	4.7KB			H0651A011-4.7KB	J51745472	DST AUS
VR3017	POT.	1KB			H0651A007-1KB	J51745102	DST BEL
VR3017	POT.	4.7KB			H0651A011-4.7KB	J51745472	DST EXP
VR3017	POT.	4.7KB			H0651A011-4.7KB	J51745472	DST USA
VR3018	POT.	47KB			H0651A017-47KB	J51745473	
VR3019	POT.	10KB			H0651A013-10KB	J51745103	
VR3020	POT.	47KB			H0651A017-47KB	J51745473	
X 3001	XTAL	12.18MHz				H0102938	
X 3002	XTAL	7.20MHz				H0102409	
	SARCON				30F-TO-220	Q9000192	
	SHIELD CASE					R0100940B	
	NUT BOARD					R0102810	
	HEATSINK PLATE					R0132050	



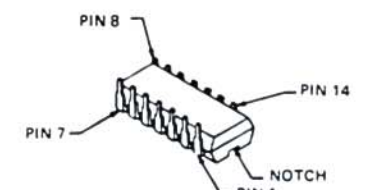
(obverse view of "component" side)



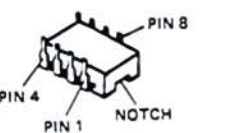
MB8854-1244M
(Q3056)



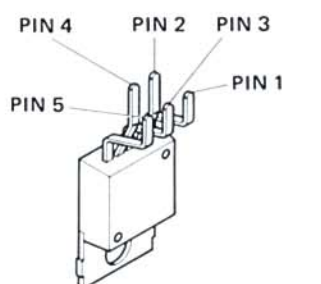
BU4028B
(Q3066)
MB88202H-634M
(Q3065)
MB88202H-635M
(Q3064)



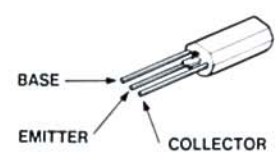
MC14011BCP
(Q3057)
μPD4066BC
(Q3017, Q3025, Q3043)



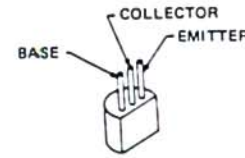
NE567N
(Q3045)



TDA2003
(Q3029)

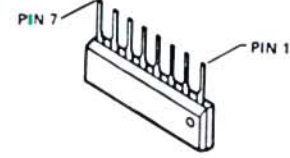


2SA1283D
(Q3039, Q3040)

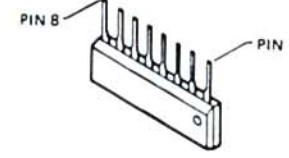


2SD667C
(Q3027)

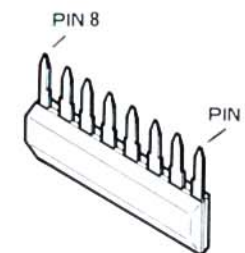
2SC2002L
(Q3088)



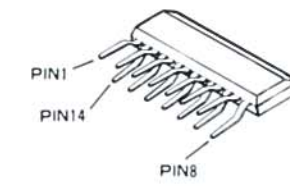
μPC1037H
(Q3004, Q3008, Q3031)



M5218AL
(Q3041, Q3042,
Q3072, Q3074,
Q3075, Q3076,
Q3077, Q3082,
Q3015, Q3016)



M54455L
(Q3013)



M51523AL
(Q3023, Q3024)

Local Unit Parts List

REF.	DESCRIPTION	VALUE	WV	TOL.	MFGR'S DESIG	YAESU P/N	VERS.
*** LOCAL UNIT ***							
	PCB with Components(W/ MODE-DDS,SHIFT-DDS,WIDTH-DDS UNIT)					CP2208001	
	Printed Circuit Board					F3062101B	
C 4001	CHIP CAP.	0.01uF	50V	B	GRM40B103M50PT	K22170817	
C 4002	CHIP CAP.	220pF	50V	CH	GRM40CH221J50PT	K22170243	
C 4003	CHIP CAP.	220pF	50V	CH	GRM40CH221J50PT	K22170243	
C 4004	CHIP CAP.	0.01uF	50V	B	GRM40B103M50PT	K22170817	
C 4005	CHIP CAP.	0.01uF	50V	B	GRM40B103M50PT	K22170817	
C 4006	CHIP CAP.	0.01uF	50V	B	GRM40B103M50PT	K22170817	
C 4007	CHIP CAP.	270pF	50V	CH	GRM40CH271J50PT	K22170245	
C 4008	CHIP CAP.	150pF	50V	CH	GRM40CH151J50PT	K22170239	
C 4009	CHIP CAP.	390pF	50V	CH	GRM40CH391J50PT	K22170249	
C 4010	CHIP CAP.	820pF	50V	B	GRM40B821M50PT	K22170804	
C 4011	CHIP CAP.	680pF	50V	B	GRM40B681M50PT	K22170803	
C 4012	CHIP CAP.	150pF	50V	CH	GRM40CH151J50PT	K22170239	
C 4013	CHIP CAP.	270pF	50V	CH	GRM40CH271J50PT	K22170245	
C 4014	CHIP CAP.	150pF	50V	CH	GRM40CH151J50PT	K22170239	
C 4015	CHIP CAP.	390pF	50V	CH	GRM40CH391J50PT	K22170249	
C 4016	CHIP CAP.	820pF	50V	B	GRM40B821M50PT	K22170804	
C 4017	CHIP CAP.	390pF	50V	CH	GRM40CH391J50PT	K22170249	
C 4018	CHIP CAP.	0.01uF	50V	B	GRM40B103M50PT	K22170817	
C 4019	CHIP CAP.	0.01uF	50V	B	GRM40B103M50PT	K22170817	
C 4020	CHIP CAP.	0.01uF	50V	B	GRM40B103M50PT	K22170817	
C 4021	CHIP CAP.	150pF	50V	CH	GRM40CH151J50PT	K22170239	
C 4022	CHIP CAP.	270pF	50V	CH	GRM40CH271J50PT	K22170245	
C 4023	CHIP CAP.	150pF	50V	CH	GRM40CH151J50PT	K22170239	
C 4024	CHIP CAP.	270pF	50V	CH	GRM40CH271J50PT	K22170245	
C 4025	CHIP CAP.	270pF	50V	CH	GRM40CH271J50PT	K22170245	
C 4026	CHIP CAP.	150pF	50V	CH	GRM40CH151J50PT	K22170239	
C 4027	CHIP CAP.	22pF	50V	CH	GRM40CH220J50PT	K22170219	
C 4028	CHIP CAP.	0.01uF	50V	B	GRM40B103M50PT	K22170817	
C 4029	CHIP CAP.	0.01uF	50V	B	GRM40B103M50PT	K22170817	
C 4030	CHIP CAP.	22pF	50V	CH	GRM40CH220J50PT	K22170219	
C 4031	CHIP CAP.	0.01uF	50V	B	GRM40B103M50PT	K22170817	
C 4032	CHIP CAP.	0.01uF	50V	B	GRM40B103M50PT	K22170817	
C 4033	CHIP CAP.	3pF	50V	CJ	GRM40CJ030C50PT	K22170204	
C 4034	CHIP CAP.	0.01uF	50V	B	GRM40B103M50PT	K22170817	
C 4035	CHIP CAP.	0.01uF	50V	B	GRM40B103M50PT	K22170817	
C 4036	CHIP CAP.	0.01uF	50V	B	GRM40B103M50PT	K22170817	
C 4037	CHIP CAP.	0.047uF	25V	B	GRM42-6B473M25PT	K22141808	
C 4038	CHIP CAP.	180pF	50V	CH	GRM40CH181J50PT	K22170241	
C 4039	CHIP CAP.	180pF	50V	CH	GRM40CH181J50PT	K22170241	
C 4040	CHIP CAP.	0.01uF	50V	B	GRM40B103M50PT	K22170817	
C 4041	CHIP CAP.	0.01uF	50V	B	GRM40B103M50PT	K22170817	
C 4042	CHIP CAP.	0.047uF	50V	F	GRM40F473Z50PT	K22171008	
C 4043	AL. ELECTRO. CAP.	10uF	16V		16V100M4X7TR2	K46120004	
C 4044	CHIP CAP.	0.01uF	50V	B	GRM40B103M50PT	K22170817	
C 4045	AL. ELECTRO. CAP.	47uF	16V		16V470M6X7TR2	K46120006	
C 4046	TANTALUM CAP.	0.33uF	35V		DN1VR33M1S	K70167334	
C 4047	CHIP CAP.	0.033uF	25V	B	GRM40B333M25PT	K22140810	
C 4048	CHIP CAP.	10pF	50V	CH	GRM40CH100D50PT	K22170211	
C 4049	CHIP CAP.	47pF	50V	UJ	GRM40UJ470J50PT	K22170327	
C 4050	CHIP CAP.	47pF	50V	UJ	GRM40UJ470J50PT	K22170327	
C 4051	CHIP CAP.	0.01uF	50V	B	GRM40B103M50PT	K22170817	
C 4052	CHIP CAP.	0.01uF	50V	B	GRM40B103M50PT	K22170817	
C 4053	AL. ELECTRO. CAP.	47uF	16V		RC2-16V470M(6X7)	K40129028	
C 4054	CHIP CAP.	1pF	50V	CK	GRM40CK010C50PT	K22170202	
C 4055	CHIP CAP.	0.01uF	50V	B	GRM40B103M50PT	K22170817	
C 4056	CHIP CAP.	0.001uF	50V	B	GRM40B102M50PT	K22170805	
C 4057	CHIP CAP.	0.001uF	50V	B	GRM40B102M50PT	K22170805	
C 4058	CHIP CAP.	0.001uF	50V	B	GRM40B102M50PT	K22170805	
C 4059	CHIP CAP.	0.001uF	50V	B	GRM40B102M50PT	K22170805	
C 4060	CHIP CAP.	0.001uF	50V	B	GRM40B102M50PT	K22170805	
C 4061	CHIP CAP.	0.001uF	50V	B	GRM40B102M50PT	K22170805	
C 4062	CHIP CAP.	4pF	50V	CH	GRM40CH040C50PT	K22170205	
C 4063	AL. ELECTRO. CAP.	10uF	16V		RC2-16V100M(4X7)	K40129012	
C 4064	CHIP CAP.	0.047uF	50V	F	GRM40F473Z50PT	K22171008	
C 4065	TANTALUM CAP.	1uF	35V		DN1V010M1S	K70167105	
C 4066	CHIP CAP.	0.001uF	50V	B	GRM40B102M50PT	K22170805	
C 4067	CHIP CAP.	47pF	50V	UJ	GRM40UJ470J50PT	K22170327	
C 4068	CHIP CAP.	47pF	50V	UJ	GRM40UJ470J50PT	K22170327	
C 4069	CHIP CAP.	0.01uF	50V	B	GRM40B103M50PT	K22170817	
C 4070	CHIP CAP.	0.01uF	50V	B	GRM40B103M50PT	K22170817	

Local Unit Parts List

REF.	DESCRIPTION	VALUE	WV	TOL.	MFR'S DESIG	YAESU P/N	VERS.
C 4071	AL. ELECTRO. CAP.	47uF	16V		16V470M6X7TR2	K46120006	
C 4072	CHIP CAP.	2pF	50V	CK	GRM40CK020C50PT	K22170203	
C 4073	CHIP CAP.	0.01uF	50V	B	GRM40B103M50PT	K22170817	
C 4074	CHIP CAP.	2pF	50V	CK	GRM40CK020C50PT	K22170203	
C 4075	CHIP CAP.	10pF	50V	CH	GRM40CH100D50PT	K22170211	
C 4076	CHIP CAP.	10pF	50V	CH	GRM40CH100D50PT	K22170211	
C 4077	CHIP CAP.	2pF	50V	CK	GRM40CK020C50PT	K22170203	
C 4078	CHIP CAP.	0.01uF	50V	B	GRM40B103M50PT	K22170817	
C 4079	CHIP CAP.	0.01uF	50V	B	GRM40B103M50PT	K22170817	
C 4080	CHIP CAP.	0.01uF	50V	B	GRM40B103M50PT	K22170817	
C 4081	CHIP CAP.	0.01uF	50V	B	GRM40B103M50PT	K22170817	
C 4082	CHIP CAP.	27pF	50V	CH	GRM40CH270J50PT	K22170221	
C 4083	CHIP CAP.	27pF	50V	CH	GRM40CH270J50PT	K22170221	
C 4084	CHIP CAP.	10pF	50V	CH	GRM40CH100D50PT	K22170211	
C 4085	CHIP CAP.	0.01uF	50V	B	GRM40B103M50PT	K22170817	
C 4086	CHIP CAP.	0.01uF	50V	B	GRM40B103M50PT	K22170817	
C 4087	CHIP CAP.	0.01uF	50V	B	GRM40B103M50PT	K22170817	
C 4089	CHIP CAP.	47pF	50V	UJ	GRM40UJ470J50PT	K22170327	
C 4090	CHIP CAP.	47pF	50V	UJ	GRM40UJ470J50PT	K22170327	
C 4091	AL. ELECTRO. CAP.	47uF	16V		16V470M6X7TR2	K46120006	
C 4092	CHIP CAP.	0.01uF	50V	B	GRM40B103M50PT	K22170817	
C 4093	CHIP CAP.	0.01uF	50V	B	GRM40B103M50PT	K22170817	
C 4094	CHIP CAP.	2pF	50V	CK	GRM40CK020C50PT	K22170203	
C 4095	CHIP CAP.	0.01uF	50V	B	GRM40B103M50PT	K22170817	
C 4096	CHIP CAP.	0.01uF	50V	B	GRM40B103M50PT	K22170817	
C 4097	CHIP CAP.	12pF	50V	CH	GRM40CH120J50PT	K22170213	
C 4098	CHIP CAP.	12pF	50V	CH	GRM40CH120J50PT	K22170213	
C 4099	CHIP CAP.	0.001uF	50V	B	GRM40B102M50PT	K22170805	
C 4100	CHIP CAP.	0.01uF	50V	B	GRM40B103M50PT	K22170817	
C 4101	CHIP CAP.	4pF	50V	CH	GRM40CH040C50PT	K22170205	
C 4102	CHIP CAP.	0.01uF	50V	B	GRM40B103M50PT	K22170817	
C 4103	AL. ELECTRO. CAP.	10uF	16V		16V100M4X7TR2	K46120004	
C 4104	CHIP CAP.	0.022uF	50V	B	GRM40B223M50PT	K22170821	
C 4105	AL. ELECTRO. CAP.	22uF	16V		16V220M5X7TR2	K46120005	
C 4106	CHIP CAP.	0.047uF	50V	F	GRM40F473Z50PT	K22171008	
C 4107	CHIP CAP.	0.0022uF	50V	B	GRM40B222M50PT	K22170809	
C 4108	CHIP CAP.	0.0022uF	50V	B	GRM40B222M50PT	K22170809	
C 4109	CHIP CAP.	0.047uF	50V	F	GRM40F473Z50PT	K22171008	
C 4110	CHIP CAP.	0.1uF	25V	B	GRM42-6B104M25PT	K22141809	
C 4111	AL. ELECTRO. CAP.	100uF	16V		16V101M6X7TR2	K46120007	
C 4112	CHIP CAP.	0.047uF	25V	B	GRM42-6B473M25PT	K22141808	
C 4113	CHIP CAP.	0.01uF	50V	B	GRM40B103M50PT	K22170817	
C 4114	CHIP CAP.	0.047uF	50V	F	GRM40F473Z50PT	K22171008	
C 4115	CHIP CAP.	0.022uF	50V	B	GRM40B223M50PT	K22170821	
C 4116	CHIP CAP.	0.0015	50V	B	GRM40B152M50PT	K22170807	
C 4117	CHIP CAP.	0.0015	50V	B	GRM40B152M50PT	K22170807	
C 4118	CHIP CAP.	39pF	50V	CH	GRM40CH390J50PT	K22170225	
C 4119	CHIP CAP.	180pF	50V	CH	GRM40CH181J50PT	K22170241	
C 4120	CHIP CAP.	180pF	50V	CH	GRM40CH181J50PT	K22170241	
C 4121	AL. ELECTRO. CAP.	47uF	16V		16V470M6X7TR2	K46120006	
C 4122	CHIP CAP.	0.01uF	50V	B	GRM40B103M50PT	K22170817	
C 4123	CHIP CAP.	1pF	50V	CK	GRM40CK010C50PT	K22170202	
C 4124	CHIP CAP.	0.01uF	50V	B	GRM40B103M50PT	K22170817	
C 4126	CHIP CAP.	22pF	50V	CH	GRM40CH220J50PT	K22170219	
C 4127	CHIP CAP.	39pF	50V	CH	GRM40CH390J50PT	K22170225	
C 4128	CHIP CAP.	22pF	50V	CH	GRM40CH220J50PT	K22170219	
C 4129	CHIP CAP.	0.022uF	50V	B	GRM40B223M50PT	K22170821	
C 4130	AL. ELECTRO. CAP.	47uF	16V		16V470M6X7TR2	K46120006	
C 4131	CHIP CAP.	0.022uF	50V	B	GRM40B223M50PT	K22170821	
C 4132	AL. ELECTRO. CAP.	47uF	16V		16V470M6X7TR2	K46120006	
C 4133	CHIP CAP.	0.022uF	50V	B	GRM40B223M50PT	K22170821	
C 4134	CHIP CAP.	0.022uF	50V	B	GRM40B223M50PT	K22170821	
C 4135	CHIP CAP.	10pF	50V	CH	GRM40CH100D50PT	K22170211	
C 4136	CHIP CAP.	0.01uF	50V	B	GRM40B103M50PT	K22170817	
C 4137	CHIP CAP.	0.01uF	50V	B	GRM40B103M50PT	K22170817	
C 4138	CHIP CAP.	100pF	50V	CH	GRM40CH101J50PT	K22170235	
C 4139	CHIP CAP.	100pF	50V	CH	GRM40CH101J50PT	K22170235	
C 4140	CHIP CAP.	0.01uF	50V	B	GRM40B103M50PT	K22170817	
C 4141	CHIP CAP.	0.047uF	50V	F	GRM40F473Z50PT	K22171008	
C 4142	CHIP CAP.	0.047uF	50V	F	GRM40F473Z50PT	K22171008	
C 4143	AL. ELECTRO. CAP.	100uF	16V		16V101M6X7TR2	K46120007	
C 4144	CHIP CAP.	100pF	50V	CH	GRM40CH101J50PT	K22170235	
C 4145	CHIP CAP.	100pF	50V	CH	GRM40CH101J50PT	K22170235	
C 4146	CHIP CAP.	0.01uF	50V	B	GRM40B103M50PT	K22170817	
C 4147	CHIP CAP.	0.047uF	50V	F	GRM40F473Z50PT	K22171008	
C 4148	CHIP CAP.	0.047uF	50V	F	GRM40F473Z50PT	K22171008	

Local Unit Parts List

REF.	DESCRIPTION	VALUE	WV	TOL.	MFR'S DESIG	YAESU P/N	VERS.
C 4149	AL. ELECTRO. CAP.	100uF	16V		16V101M6X7TR2	K46120007	
C 4150	CHIP CAP.	0.0022uF	50V	B	GRM40B222M50PT	K22170809	
C 4151	CHIP CAP.	0.0022uF	50V	B	GRM40B222M50PT	K22170809	
C 4154	CHIP CAP.	0.047uF	25V	B	GRM42-6B473M25PT	K22141808	
C 4155	CHIP CAP.	0.01uF	50V	B	GRM40B103M50PT	K22170817	
C 4156	CHIP CAP.	0.047uF	50V	F	GRM40F473Z50PT	K22171008	
C 4157	CHIP CAP.	0.022uF	50V	B	GRM40B223M50PT	K22170821	
C 4158	AL. ELECTRO. CAP.	47uF	16V		16V470M6X7TR2	K46120006	
C 4159	CHIP CAP.	0.047uF	50V	F	GRM40F473Z50PT	K22171008	
C 4160	TANTALUM CAP.	0.22uF	35V		DN1VR22M1S	K70167224	
C 4161	CHIP CAP.	0.0022uF	50V	B	GRM40B222M50PT	K22170809	
C 4162	CHIP CAP.	0.033uF	25V	B	GRM42-6B333M25PT	K22141806	
C 4163	CHIP CAP.	5pF	50V	UJ	GRM40UJ050C50PT	K22170306	
C 4164	CHIP CAP.	8pF	50V	CH	GRM40CH080D50PT	K22170209	
C 4165	CHIP CAP.	27pF	50V	UJ	GRM40UJ270J50PT	K22170321	
C 4166	CHIP CAP.	15pF	50V	UJ	GRM40UJ150J50PT	K22170315	
C 4167	CHIP CAP.	10pF	50V	CH	GRM40CH100D50PT	K22170211	
C 4168	CHIP CAP.	0.01uF	50V	B	GRM40B103M50PT	K22170817	
C 4169	AL. ELECTRO. CAP.	100uF	16V		RC2-16V101MS(6X7)	K40129038	
C 4170	CHIP CAP.	1pF	50V	CK	GRM40CK010C50PT	K22170202	
C 4171	CHIP CAP.	0.01uF	50V	B	GRM40B103M50PT	K22170817	
C 4172	CHIP CAP.	0.01uF	50V	B	GRM40B103M50PT	K22170817	
C 4173	CHIP CAP.	0.01uF	50V	B	GRM40B103M50PT	K22170817	
C 4174	CHIP CAP.	0.01uF	50V	B	GRM40B103M50PT	K22170817	
C 4175	CHIP CAP.	0.01uF	50V	B	GRM40B103M50PT	K22170817	
C 4176	CHIP CAP.	0.022uF	50V	B	GRM40B223M50PT	K22170821	
C 4177	CHIP CAP.	0.047uF	25V	B	GRM42-6B473M25PT	K22141808	
C 4178	CHIP CAP.	0.022uF	50V	B	GRM40B223M50PT	K22170821	
C 4181	CHIP CAP.	180pF	50V	CH	GRM40CH181J50PT	K22170241	
C 4182	CHIP CAP.	120pF	50V	CH	GRM40CH121J50PT	K22170237	
C 4183	CHIP CAP.	330pF	50V	CH	GRM40CH331J50PT	K22170247	
C 4184	CHIP CAP.	68pF	50V	CH	GRM40CH680J50PT	K22170231	
C 4185	CHIP CAP.	330pF	50V	CH	GRM40CH331J50PT	K22170247	
C 4186	CHIP CAP.	0.047uF	25V	B	GRM42-6B473M25PT	K22141808	
C 4187	CHIP CAP.	0.047uF	50V	F	GRM40F473Z50PT	K22171008	
C 4188	CHIP CAP.	0.047uF	50V	F	GRM40F473Z50PT	K22171008	
C 4189	CHIP CAP.	0.022uF	50V	B	GRM40B223M50PT	K22170821	
C 4190	CHIP CAP.	0.022uF	50V	B	GRM40B223M50PT	K22170821	
C 4191	CHIP CAP.	0.01uF	50V	B	GRM40B103M50PT	K22170817	
C 4192	CHIP CAP.	18pF	50V	CH	GRM40CH180J50PT	K22170217	
C 4193	CHIP CAP.	18pF	50V	CH	GRM40CH180J50PT	K22170217	
C 4194	CHIP CAP.	0.01uF	50V	B	GRM40B103M50PT	K22170817	
C 4195	CHIP CAP.	0.01uF	50V	B	GRM40B103M50PT	K22170817	
C 4196	CHIP CAP.	0.01uF	50V	B	GRM40B103M50PT	K22170817	
C 4197	CHIP CAP.	3pF	50V	CJ	GRM40CJ030C50PT	K22170204	
C 4198	CHIP CAP.	47pF	50V	CH	GRM40CH470J50PT	K22170227	
C 4199	CHIP CAP.	15pF	50V	CH	GRM40CH150J50PT	K22170215	
C 4202	CHIP CAP.	0.01uF	50V	B	GRM40B103M50PT	K22170817	
C 4203	CHIP CAP.	10pF	50V	CH	GRM40CH100D50PT	K22170211	
C 4204	CHIP CAP.	10pF	50V	CH	GRM40CH100D50PT	K22170211	
C 4205	CHIP CAP.	5pF	50V	CH	GRM40CH050C50PT	K22170206	
C 4206	CHIP CAP.	2pF	50V	CK	GRM40CK020C50PT	K22170203	
C 4207	CHIP CAP.	0.01uF	50V	B	GRM40B103M50PT	K22170817	
C 4209	CHIP CAP.	0.001uF	50V	B	GRM40B102M50PT	K22170805	
C 4210	CHIP CAP.	0.01uF	50V	B	GRM40B103M50PT	K22170817	
C 4211	CHIP CAP.	0.01uF	50V	B	GRM40B103M50PT	K22170817	
C 4212	CHIP CAP.	0.01uF	50V	B	GRM40B103M50PT	K22170817	
C 4213	CHIP CAP.	10pF	50V	CH	GRM40CH100D50PT	K22170211	
C 4214	CHIP CAP.	12pF	50V	CH	GRM40CH120J50PT	K22170213	
C 4215	CHIP CAP.	18pF	50V	CH	GRM40CH180J50PT	K22170217	
C 4216	CHIP CAP.	6pF	50V	CH	GRM40CH060D50PT	K22170207	
C 4217	CHIP CAP.	22pF	50V	CH	GRM40CH220J50PT	K22170219	
C 4218	CHIP CAP.	4pF	50V	CH	GRM40CH040C50PT	K22170205	
C 4219	CHIP CAP.	18pF	50V	CH	GRM40CH180J50PT	K22170217	
C 4220	CHIP CAP.	0.01uF	50V	B	GRM40B103M50PT	K22170817	
C 4221	CHIP CAP.	0.01uF	50V	B	GRM40B103M50PT	K22170817	
C 4223	AL. ELECTRO. CAP.	47uF	16V		RC2-16V470M(6X7)	K40129028	
C 4224	CHIP CAP.	0.01uF	50V	B	GRM40B103M50PT	K22170817	
C 4225	CHIP CAP.	0.001uF	50V	B	GRM40B102M50PT	K22170805	
C 4226	CHIP CAP.	0.001uF	50V	B	GRM40B102M50PT	K22170805	
C 4227	AL. ELECTRO. CAP.	10uF	25V		RC2-25V100M(5X7)	K40149012	
C 4228	CHIP CAP.	22pF	50V	CH	GRM40CH220J50PT	K22170219	
C 4229	TANTALUM CAP.	0.33uF	35V		DN1VR33M1S	K70167334	
C 4230	CHIP CAP.	0.047uF	25V	B	GRM42-6B473M25PT	K22141808	
C 4231	AL. ELECTRO. CAP.	100uF	16V		16V101M6X7TR2	K46120007	

Local Unit Parts List

REF.	DESCRIPTION	VALUE	WV	TOL.	MFGR'S DESIG	YAESU P/N	VERS.
C 4232	CHIP CAP.	0.01uF	50V	B	GRM40B103M50PT	K22170817	
C 4233	CHIP CAP.	0.001uF	50V	B	GRM40B102M50PT	K22170805	
C 4234	CHIP CAP.	27pF	50V	CH	GRM40CH270J50PT	K22170221	
C 4235	CHIP CAP.	4pF	50V	CH	GRM40CH040C50PT	K22170205	
C 4236	CHIP CAP.	27pF	50V	CH	GRM40CH270J50PT	K22170221	
C 4237	CHIP CAP.	4pF	50V	CH	GRM40CH040C50PT	K22170205	
C 4238	CHIP CAP.	18pF	50V	CH	GRM40CH180J50PT	K22170217	
C 4239	CHIP CAP.	0.01uF	50V	B	GRM40B103M50PT	K22170817	
C 4240	AL. ELECTRO. CAP.	47uF	16V		RC2-16V470M(6X7)	K40129028	
C 4241	CHIP CAP.	0.01uF	50V	B	GRM40B103M50PT	K22170817	
C 4242	AL. ELECTRO. CAP.	100uF	16V		RC2-16V101MS(6X7)	K40129038	
C 4243	CHIP CAP.	0.001uF	50V	B	GRM40B102M50PT	K22170805	
C 4244	CHIP CAP.	22pF	50V	CH	GRM40CH220J50PT	K22170219	
C 4245	CHIP CAP.	2pF	50V	CK	GRM40CK020C50PT	K22170203	
C 4246	CHIP CAP.	27pF	50V	CH	GRM40CH270J50PT	K22170221	
C 4247	CHIP CAP.	4pF	50V	CH	GRM40CH040C50PT	K22170205	
C 4248	CHIP CAP.	18pF	50V	CH	GRM40CH180J50PT	K22170217	
C 4249	CHIP CAP.	0.01uF	50V	B	GRM40B103M50PT	K22170817	
C 4250	AL. ELECTRO. CAP.	47uF	16V		RC2-16V470M(6X7)	K40129028	
C 4251	CHIP CAP.	0.001uF	50V	B	GRM40B102M50PT	K22170805	
C 4252	CHIP CAP.	27pF	50V	CH	GRM40CH270J50PT	K22170221	
C 4253	CHIP CAP.	10pF	50V	CH	GRM40CH100D50PT	K22170211	
C 4254	CHIP CAP.	27pF	50V	CH	GRM40CH270J50PT	K22170221	
C 4255	CHIP CAP.	8pF	50V	CH	GRM40CH080D50PT	K22170209	
C 4256	CHIP CAP.	27pF	50V	CH	GRM40CH270J50PT	K22170221	
C 4257	CHIP CAP.	0.01uF	50V	B	GRM40B103M50PT	K22170817	
C 4258	AL. ELECTRO. CAP.	47uF	16V		RC2-16V470M(6X7)	K40129028	
C 4259	CHIP CAP.	0.001uF	50V	B	GRM40B102M50PT	K22170805	
C 4260	CHIP CAP.	22pF	50V	CH	GRM40CH220J50PT	K22170219	
C 4261	CHIP CAP.	8pF	50V	CH	GRM40CH080D50PT	K22170209	
C 4262	CHIP CAP.	27pF	50V	CH	GRM40CH270J50PT	K22170221	
C 4263	CHIP CAP.	6pF	50V	CH	GRM40CH060D50PT	K22170207	
C 4264	CHIP CAP.	22pF	50V	CH	GRM40CH220J50PT	K22170219	
C 4265	CHIP CAP.	0.01uF	50V	B	GRM40B103M50PT	K22170817	
C 4266	AL. ELECTRO. CAP.	47uF	16V		RC2-16V470M(6X7)	K40129028	
C 4267	CHIP CAP.	2pF	50V	CK	GRM40CK020C50PT	K22170203	
C 4268	CHIP CAP.	0.01uF	50V	B	GRM40B103M50PT	K22170817	
C 4269	CHIP CAP.	0.5pF	50V	CK	GRM40CK0R5C50PT	K22170201	
C 4270	CHIP CAP.	0.01uF	50V	B	GRM40B103M50PT	K22170817	
C 4271	CHIP CAP.	0.001uF	50V	B	GRM40B102M50PT	K22170805	
C 4272	CHIP CAP.	4pF	50V	CH	GRM40CH040C50PT	K22170205	
C 4273	CHIP CAP.	5pF	50V	CH	GRM40CH050C50PT	K22170206	
C 4274	CHIP CAP.	0.01uF	50V	B	GRM40B103M50PT	K22170817	
C 4275	CHIP CAP.	0.001uF	50V	B	GRM40B102M50PT	K22170805	
C 4276	CHIP CAP.	0.01uF	50V	B	GRM40B103M50PT	K22170817	
C 4277	CHIP CAP.	0.01uF	50V	B	GRM40B103M50PT	K22170817	
C 4278	CHIP CAP.	39pF	50V	CH	GRM40CH390J50PT	K22170225	
C 4279	CHIP CAP.	68pF	50V	CH	GRM40CH680J50PT	K22170231	
C 4280	CHIP CAP.	39pF	50V	CH	GRM40CH390J50PT	K22170225	
C 4281	CHIP CAP.	0.01uF	50V	B	GRM40B103M50PT	K22170817	
C 4282	CHIP CAP.	0.01uF	50V	B	GRM40B103M50PT	K22170817	
C 4283	CHIP CAP.	0.01uF	50V	B	GRM40B103M50PT	K22170817	
C 4285	CHIP CAP.	0.047uF	50V	F	GRM40F473Z50PT	K22171008	
C 4286	CHIP CAP.	0.001uF	50V	B	GRM40B102M50PT	K22170805	
C 4287	CHIP CAP.	0.001uF	50V	B	GRM40B102M50PT	K22170805	
C 4288	CHIP CAP.	0.001uF	50V	B	GRM40B102M50PT	K22170805	
C 4289	CHIP CAP.	0.001uF	50V	B	GRM40B102M50PT	K22170805	
C 4290	CHIP CAP.	27pF	50V	UJ	GRM40UJ270J50PT	K22170321	
C 4291	CHIP CAP.	0.01uF	50V	B	GRM40B103M50PT	K22170817	
C 4292	CHIP CAP.	0.01uF	50V	B	GRM40B103M50PT	K22170817	
C 4293	CHIP CAP.	0.01uF	50V	B	GRM40B103M50PT	K22170817	
C 4294	CHIP CAP.	0.047uF	25V	B	GRM42-6B473M25PT	K22141808	
C 4295	CHIP CAP.	0.047uF	50V	F	GRM40F473Z50PT	K22171008	
C 4296	CHIP CAP.	0.01uF	50V	B	GRM40B103M50PT	K22170817	
C 4297	CHIP CAP.	33pF	50V	CH	GRM40CH330J50PT	K22170223	
C 4298	CHIP CAP.	56pF	50V	CH	GRM40CH560J50PT	K22170229	
C 4299	AL. ELECTRO. CAP.	100uF	16V		RC2-16V101MS(6X7)	K40129038	
C 4300	AL. ELECTRO. CAP.	100uF	16V		RC2-16V101MS(6X7)	K40129038	
C 4301	CHIP CAP.	7pF	50V	CH	GRM40CH070D50PT	K22170208	
C 4302	AL. ELECTRO. CAP.	10uF	16V		16V100M4X7TR2	K46120004	
C 4303	CHIP CAP.	0.047uF	50V	F	GRM40F473Z50PT	K22171008	
C 4304	CHIP CAP.	12pF	50V	CH	GRM40CH120J50PT	K22170213	
C 4305	CHIP CAP.	0.001uF	50V	B	GRM40B102M50PT	K22170805	
C 4306	CHIP CAP.	0.001uF	50V	B	GRM40B102M50PT	K22170805	
C 4307	CERAMIC CAP.	33pF	50V	CH	DD105CH330J50	K02175330	
C 4308	CERAMIC CAP.	0.001uF	50V	B	UP050B102K-A-B	K28179001	

Local Unit Parts List

REF.	DESCRIPTION	VALUE	WV	TOL.	MFGR'S DESIG	YAESU P/N	VERS.
C 4309	CERAMIC CAP.	0.001uF	50V	B	UP050B102K-A-B	K28179001	
C 4310	CHIP CAP.	9pF	50V	UJ	GRM40UJ090D50PT	K22170310	
D 4001	DIODE				FC-53M-5	G2090180	
D 4002	DIODE				FC-53M-5	G2090180	
D 4003	DIODE				RD5.1EB2	G2090152	
D 4004	DIODE				1SV50	G2090023	
D 4005	DIODE				1SV50	G2090023	
D 4007	DIODE				FC-52M-5	G2090165	
D 4008	DIODE				1SS53T1	G2060002	
D 4009	DIODE				FC-52M-5	G2090165	
D 4010	DIODE				1SS53T1	G2060002	
D 4011	DIODE				FC-52M-5	G2090165	
D 4013	DIODE				1SS53T1	G2060002	
D 4014	DIODE				FC-52M-5	G2090165	
D 4016	DIODE				1SS53T1	G2060002	
D 4017	DIODE				1SS184 TE85R	G2070009	
D 4018	DIODE				1SS184 TE85R	G2070009	
D 4019	DIODE				1SS184 TE85R	G2070009	
D 4020	DIODE				1SS184 TE85R	G2070009	
D 4021	DIODE				1SS184 TE85R	G2070009	
D 4022	DIODE				1SS181 TE85R	G2070001	
D 4023	DIODE				HZ6C2L	G2090225	
J 4001	CONNECTOR				SC25-03WS	P0090622	
J 4002	CONNECTOR				TMP-J01X-V6	P1090210	
J 4003	CONNECTOR				TMP-J01X-V6	P1090210	
J 4004	CONNECTOR				SC25-03WS	P0090622	
J 4005	CONNECTOR				TMP-J01X-V6	P1090210	
J 4006	CONNECTOR				TMP-J01X-V6	P1090210	
J 4008	CONNECTOR				SC25-08WS	P0090627	
J 4009	CONNECTOR				SC25-06WS	P0090625	
J 4010	CONNECTOR				SC25-06WS	P0090625	
J 4011	CONNECTOR				TMP-J01X-V6	P1090210	
J 4012	CONNECTOR				SC25-04WS	P0090623	
J 4013	CONNECTOR				SC25-02WS	P0090621	
J 4014	CONNECTOR				TMP-J01X-V6	P1090210	
J 4015	CONNECTOR				TMP-J01X-V6	P1090210	
L 4001	M. RFC	1.2uH			LAP02TA1R2K	L1790047	
L 4002	M. RFC	0.82uH			LAP02TAR82K	L1790045	
L 4003	M. RFC	0.82uH			LAP02TAR82K	L1790045	
L 4004	M. RFC	0.68uH			LAP02TAR68K	L1790044	
L 4005	M. RFC	0.68uH			LAP02TAR68K	L1790044	
L 4006	M. RFC	0.82uH			LAP02TAR82K	L1790045	
L 4007	M. RFC	0.82uH			LAP02TAR82K	L1790045	
L 4008	M. RFC	0.82uH			LAP02TAR82K	L1790045	
L 4009	M. RFC	0.82uH			LAP02TAR82K	L1790045	
L 4010	M. RFC	0.68uH			LAP02TAR68K	L1790044	
L 4011	M. RFC	0.68uH			LAP02TAR68K	L1790044	
L 4012	M. RFC	0.82uH			LAP02TAR82K	L1790045	
L 4013	M. RFC	0.82uH			LAP02TAR82K	L1790045	
L 4014	M. RFC	0.82uH			LAP02TAR82K	L1790045	
L 4015	M. RFC	0.82uH			LAP02TAR82K	L1790045	
L 4016	M. RFC	0.82uH			LAP02TAR82K	L1790045	
L 4017	M. RFC	0.82uH			LAP02TAR82K	L1790045	
L 4018	M. RFC	10uH			LAP02TA100K	L1790058	
L 4019	M. RFC	39uH			LAP02TA390K	L1790065	
L 4020	M. RFC	100uH			LAP02TA101K	L1790070	
L 4021	M. RFC	100uH			LAP02TA101K	L1790070	
L 4022	M. RFC	1uH			LAP02TA1R0K	L1790046	
L 4023	M. RFC	0.68uH			LAP02TAR68K	L1790044	
L 4024	M. RFC	1.2u			LAP02TA1R2K	L1790047	
L 4025	M. RFC	6.8uH			LAP02TA6R8K	L1790056	
L 4026	M. RFC	1uH			LAP02TA1R0K	L1790046	
L 4027	M. RFC	1.5uH			LAP02TA1R5K	L1790048	
L 4028	M. RFC	560uH			LAL03VB561K	L1790161	
L 4029	M. RFC	100uH			LAP02TA101K	L1790070	
L 4030	M. RFC	680uH			LAL03VB681K	L1790162	
L 4031	M. RFC	18uH			LAP02TA180K	L1790061	
L 4032	M. RFC	18uH			LAP02TA180K	L1790061	
L 4033	M. RFC	1uH			LAP02TA1R0K	L1790046	
L 4034	M. RFC	470uH			LAL03VB471K	L1790160	
L 4035	M. RFC	1uH			LAP02TA1R0K	L1790046	
L 4036	M. RFC	470uH			LAL03VB471K	L1790160	

Local Unit Parts List

REF.	DESCRIPTION	VALUE	WV	TOL.	MFRG'S DESIG	YAESU P/N	VERS.
L 4037	M. RFC	560uH			LAL03VB561K	L1790161	
L 4040	M. RFC	2. 2uH			LAP02TA2R2K	L1790050	
L 4041	M. RFC	2. 2uH			LAP02TA2R2K	L1790050	
L 4042	COIL				S18	L0190025	
L 4043	M. RFC	2. 7uH			LAP02TA2R7K	L1790051	
L 4044	M. RFC	27uH			LAL02NA270M	L1190300	
L 4045	M. RFC	39uH			LAL02NA390M	L1190302	
L 4046	M. RFC	0. 56uH			LAP02TAR56K	L1790043	
L 4047	M. RFC	0. 68uH			LAP02TAR68K	L1790044	
L 4048	M. RFC	0. 47uH			LAL02NAR47M	L1190279	
L 4049	M. RFC	0. 68uH			LAL02NAR68M	L1190281	
L 4050	M. RFC	1uH			LAL02NA1ROM	L1190283	
L 4051	M. RFC	100uH			LAP02TA101K	L1790070	
L 4052	M. RFC	4. 7uH			LAP02TA4R7K	L1790054	
L 4053	COIL				S18 M55T	L0190164	
L 4054	M. RFC	3. 9uH			LAP02TA3R9K	L1790053	
L 4055	M. RFC	100uH			LAP02TA101K	L1790070	
L 4056	M. RFC	4. 7uH			LAP02TA4R7K	L1790054	
L 4057	COIL				S18 M55T	L0190164	
L 4058	M. RFC	3. 3uH			LAP02TA3R3K	L1790052	
L 4059	M. RFC	4. 7uH			LAP02TA4R7K	L1790054	
L 4060	COIL				S18 M33T	L0190165	
L 4061	M. RFC	3. 3uH			LAP02TA3R3K	L1790052	
L 4062	M. RFC	4. 7uH			LAP02TA4R7K	L1790054	
L 4063	COIL				S18 M33T	L0190165	
L 4064	M. RFC	2. 2uH			LAP02TA2R2K	L1790050	
L 4065	M. RFC	0. 47uH			LAP02TAR47K	L1790042	
L 4066	COIL				5. 5T3. 5DO. 6UEW R	L0021820A	
L 4067	COIL				5. 5T3. 5DO. 6UEW R	L0021820A	
L 4068	M. RFC	1uH			LAP02TA1ROK	L1790046	
L 4069	COIL				0. 82U	L0021554	
L 4070	COIL				1. 00U R12-1377X	L0021267	
L 4071	COIL				0. 45U R12-G263X	L0021860	
L 4072	M. RFC	0. 22uH			LAP02TAR22K	L1790038	
L 4073	M. RFC	0. 22uH			LAP02TAR22K	L1790038	
L 4074	M. RFC	100uH			LAP02TA101K	L1790070	
L 4075	M. RFC	100uH			LAP02TA101K	L1790070	
Q 4001	TRANSISTOR				2SC2619FBTR	G3326197B	
Q 4002	TRANSISTOR				2SC2619FBTR	G3326197B	
Q 4003	TRANSISTOR				2SC2620QBTR	G3326207B	
Q 4004	TRANSISTOR				2SC2620QBTR	G3326207B	
Q 4005	IC				UPC1037H	G1090101	
Q 4006	TRANSISTOR				2SC2712GR TE85R	G3327127G	
Q 4007	IC				SN74LS390N	G1090109	
Q 4008	IC				TC5081AP	G1090473	
Q 4009	TRANSISTOR				2SC2620QBTR	G3326207B	
Q 4010	TRANSISTOR				2SC2620QBTR	G3326207B	
Q 4011	TRANSISTOR				2SC2620QBTR	G3326207B	
Q 4012	FET				2SK302Y TE85R	G3803027Y	
Q 4013	IC				UPC7805H	G1090299	
Q 4014	TRANSISTOR				2SC2620QBTR	G3326207B	
Q 4015	TRANSISTOR				2SC2620QBTR	G3326207B	
Q 4016	TRANSISTOR				2SC2619FBTR	G3326197B	
Q 4017	IC				UPC1037H	G1090101	
Q 4018	TRANSISTOR				2SC2620QBTR	G3326207B	
Q 4019	TRANSISTOR				2SC2620QBTR	G3326207B	
Q 4020	TRANSISTOR				2SC2620QBTR	G3326207B	
Q 4021	TRANSISTOR				2SC2619FBTR	G3326197B	
Q 4022	IC				UPC1037H	G1090101	
Q 4023	IC				TC5081AP	G1090473	
Q 4024	TRANSISTOR				2SC2712GR TE85R	G3327127G	
Q 4025	IC				TC4S584F TE85R	G1090974	
Q 4026	TRANSISTOR				2SC2620QBTR	G3326207B	
Q 4027	TRANSISTOR				2SC2619FBTR	G3326197B	
Q 4028	IC				UPC1037H	G1090101	
Q 4029	TRANSISTOR				2SC2620QBTR	G3326207B	
Q 4030	TRANSISTOR				2SC2712GR TE85R	G3327127G	
Q 4031	IC				TC4S584F TE85R	G1090974	
Q 4032	IC				TC5081AP	G1090473	
Q 4033	FET				2SK192A-BL	G3801921B	
Q 4034	FET				2SK302Y TE85R	G3803027Y	
Q 4035	TRANSISTOR				2SC2620QBTR	G3326207B	
Q 4036	IC				UPC1037H	G1090101	
Q 4039	TRANSISTOR				2SC2712GR TE85R	G3327127G	

Local Unit Parts List

REF.	DESCRIPTION	VALUE	WV	TOL.	MFGR'S DESIG	YAESU P/N	VERS.
Q 4040	IC				TC4S584F TE85R	G1090974	
Q 4041	IC				UPC1037H	G1090101	
Q 4042	TRANSISTOR				2SC2620QBTR	G3326207B	
Q 4043	TRANSISTOR				2SC2619FBTR	G3326197B	
Q 4044	IC				UPC1037H	G1090101	
Q 4045	TRANSISTOR				2SC2620QBTR	G3326207B	
Q 4046	IC				CX-7925B	G1090834	
Q 4047	FET				2SK208Y TE85R	G3802087Y	
Q 4048	TRANSISTOR				2SC2712GR TE85R	G3327127G	
Q 4049	TRANSISTOR				2SC2712GR TE85R	G3327127G	
Q 4050	FET				2SK192AGR	G3801921G	
Q 4051	TRANSISTOR				UN2211	G3070205	
Q 4052	FET				2SK192AGR	G3801921G	
Q 4053	TRANSISTOR				UN2211	G3070205	
Q 4054	FET				2SK192AGR	G3801921G	
Q 4055	TRANSISTOR				UN2211	G3070205	
Q 4056	FET				2SK192AGR	G3801921G	
Q 4057	TRANSISTOR				UN2211	G3070205	
Q 4058	FET				2SK302Y TE85R	G3803027Y	
Q 4059	TRANSISTOR				2SC2714YTE85R	G3327147Y	
Q 4060	TRANSISTOR				2SC2714YTE85R	G3327147Y	
Q 4061	TRANSISTOR				2SC2026	G3320260	
Q 4062	IC				MC14008BCP	G1090049	
Q 4063	IC				MC14008BCP	G1090049	
Q 4065	TRANSISTOR				UN2211	G3070205	
Q 4066	TRANSISTOR				UN2211	G3070205	
Q 4067	TRANSISTOR				UN2211	G3070205	
Q 4068	TRANSISTOR				2SC2714YTE85R	G3327147Y	
Q 4069	TRANSISTOR				UN2211	G3070205	
Q 4070	TRANSISTOR				UN2211	G3070205	
Q 4071	IC				MC14013BFL	G1090994	
R 4001	CHIP RES.	22K	1/10W	5%	RMC1/10T 223J	J24205223	
R 4002	CHIP RES.	6. 8K	1/10W	5%	RMC1/10T 682J	J24205682	
R 4003	CHIP RES.	330	1/10W	5%	RMC1/10T 331J	J24205331	
R 4004	CHIP RES.	100	1/10W	5%	RMC1/10T 101J	J24205101	
R 4005	CHIP RES.	100	1/10W	5%	RMC1/10T 101J	J24205101	
R 4006	CHIP RES.	100	1/10W	5%	RMC1/10T 101J	J24205101	
R 4007	CHIP RES.	100	1/10W	5%	RMC1/10T 101J	J24205101	
R 4008	CHIP RES.	68	1/10W	5%	RMC1/10T 680J	J24205680	
R 4009	CHIP RES.	22K	1/10W	5%	RMC1/10T 223J	J24205223	
R 4010	CHIP RES.	6. 8K	1/10W	5%	RMC1/10T 682J	J24205682	
R 4011	CHIP RES.	330	1/10W	5%	RMC1/10T 331J	J24205331	
R 4012	CHIP RES.	100	1/10W	5%	RMC1/10T 101J	J24205101	
R 4013	CHIP RES.	100	1/10W	5%	RMC1/10T 101J	J24205101	
R 4014	CHIP RES.	100	1/10W	5%	RMC1/10T 101J	J24205101	
R 4015	CHIP RES.	100	1/10W	5%	RMC1/10T 101J	J24205101	
R 4016	CHIP RES.	100	1/10W	5%	RMC1/10T 101J	J24205101	
R 4017	CHIP RES.	68	1/10W	5%	RMC1/10T 680J	J24205680	
R 4018	CHIP RES.	68	1/10W	5%	RMC1/10T 680J	J24205680	
R 4019	CHIP RES.	22K	1/10W	5%	RMC1/10T 223J	J24205223	
R 4020	CHIP RES.	6. 8K	1/10W	5%	RMC1/10T 682J	J24205682	
R 4021	CHIP RES.	470	1/10W	5%	RMC1/10T 471J	J24205471	
R 4022	CHIP RES.	100	1/10W	5%	RMC1/10T 101J	J24205101	
R 4023	CHIP RES.	22K	1/10W	5%	RMC1/10T 223J	J24205223	
R 4024	CHIP RES.	6. 8K	1/10W	5%	RMC1/10T 682J	J24205682	
R 4025	CHIP RES.	330	1/10W	5%	RMC1/10T 331J	J24205331	
R 4026	CHIP RES.	100	1/10W	5%	RMC1/10T 101J	J24205101	
R 4027	CHIP RES.	150	1/10W	5%	RMC1/10T 151J	J24205151	
R 4028	CHIP RES.	330	1/10W	5%	RMC1/10T 331J	J24205331	
R 4029	CHIP RES.	100K	1/10W	5%	RMC1/10T 104J	J24205104	
R 4030	CHIP RES.	1K	1/10W	5%	RMC1/10T 102J	J24205102	
R 4031	CHIP RES.	330K	1/10W	5%	RMC1/10T 334J	J24205334	
R 4032	CHIP RES.	1K	1/10W	5%	RMC1/10T 102J	J24205102	
R 4033	CHIP RES.	680	1/10W	5%	RMC1/10T 681J	J24205681	
R 4034	CHIP RES.	68	1/10W	5%	RMC1/10T 680J	J24205680	
R 4035	CHIP RES.	47K	1/10W	5%	RMC1/10T 473J	J24205473	
R 4036	CHIP RES.	3. 3K	1/10W	5%	RMC1/10T 332J	J24205332	
R 4037	CHIP RES.	15K	1/10W	5%	RMC1/10T 153J	J24205153	
R 4038	CHIP RES.	22K	1/10W	5%	RMC1/10T 223J	J24205223	
R 4039	CHIP RES.	330	1/10W	5%	RMC1/10T 331J	J24205331	
R 4040	CHIP RES.	100	1/10W	5%	RMC1/10T 101J	J24205101	
R 4041	CHIP RES.	100K	1/10W	5%	RMC1/10T 104J	J24205104	
R 4042	CHIP RES.	470	1/10W	5%	RMC1/10T 471J	J24205471	
R 4043	CHIP RES.	100	1/10W	5%	RMC1/10T 101J	J24205101	
R 4044	CHIP RES.	22K	1/10W	5%	RMC1/10T 223J	J24205223	

Local Unit Parts List

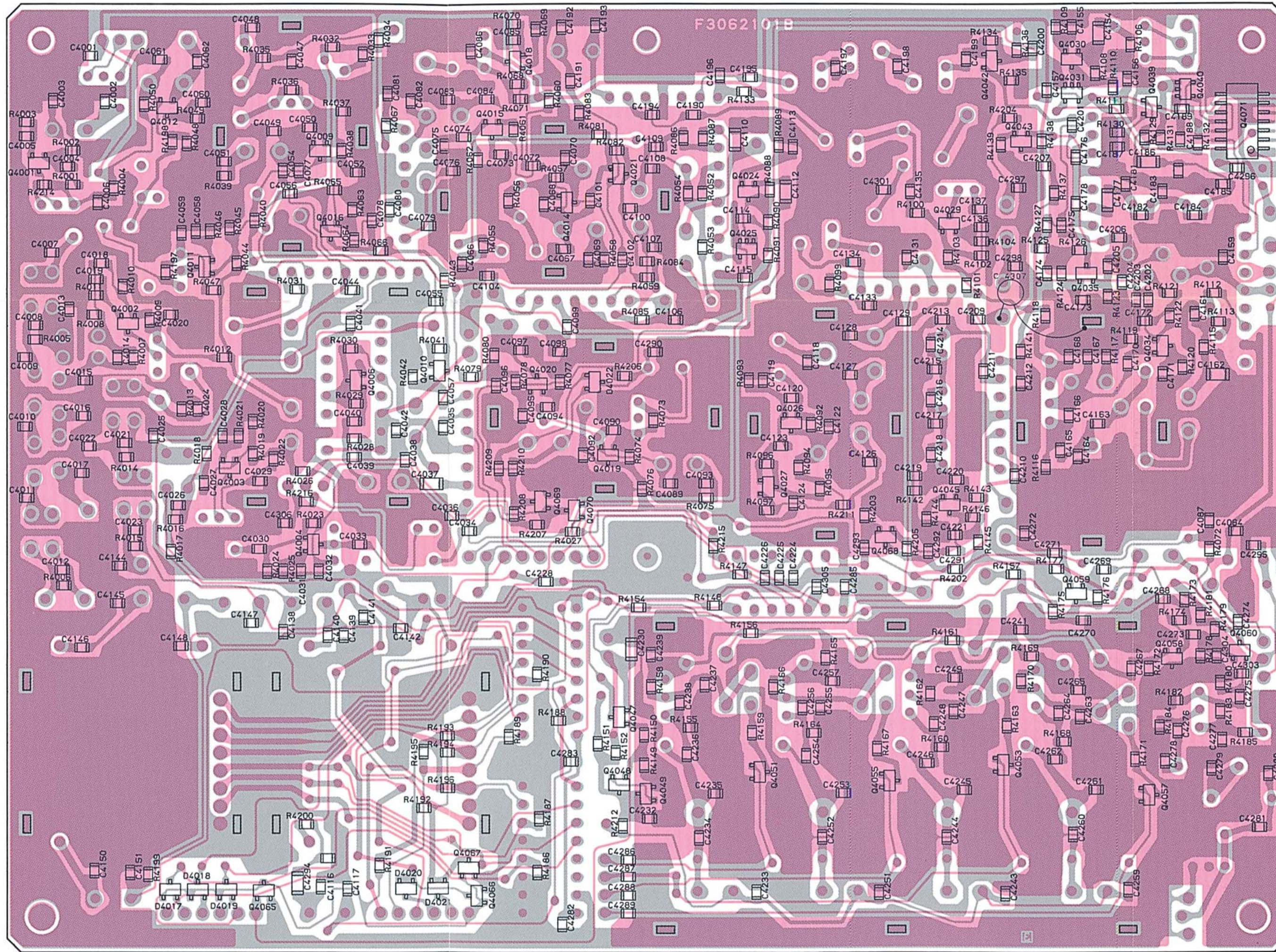
REF.	DESCRIPTION	VALUE	WV	TOL.	MFRG'S DESIG	YAESU P/N	VERS.
R 4045	CHIP RES.	6. 8K	1/10W	5%	RMC1/10T 682J	J24205682	
R 4046	CHIP RES.	330	1/10W	5%	RMC1/10T 331J	J24205331	
R 4047	CHIP RES.	100	1/10W	5%	RMC1/10T 101J	J24205101	
R 4048	CHIP RES.	47K	1/10W	5%	RMC1/10T 473J	J24205473	
R 4049	CHIP RES.	470	1/10W	5%	RMC1/10T 471J	J24205471	
R 4050	CHIP RES.	47	1/10W	5%	RMC1/10T 470J	J24205470	
R 4052	CHIP RES.	15K	1/10W	5%	RMC1/10T 153J	J24205153	
R 4053	CHIP RES.	3. 3K	1/10W	5%	RMC1/10T 332J	J24205332	
R 4054	CHIP RES.	15K	1/10W	5%	RMC1/10T 153J	J24205153	
R 4055	CHIP RES.	100K	1/10W	5%	RMC1/10T 104J	J24205104	
R 4056	CHIP RES.	3. 3K	1/10W	5%	RMC1/10T 332J	J24205332	
R 4057	CHIP RES.	100K	1/10W	5%	RMC1/10T 104J	J24205104	
R 4058	CHIP RES.	680	1/10W	5%	RMC1/10T 681J	J24205681	
R 4059	CHIP RES.	100	1/10W	5%	RMC1/10T 101J	J24205101	
R 4060	CHIP RES.	100	1/10W	5%	RMC1/10T 101J	J24205101	
R 4061	CHIP RES.	100K	1/10W	5%	RMC1/10T 104J	J24205104	
R 4062	CHIP RES.	680	1/10W	5%	RMC1/10T 681J	J24205681	
R 4063	CHIP RES.	6. 8K	1/10W	5%	RMC1/10T 682J	J24205682	
R 4064	CHIP RES.	22K	1/10W	5%	RMC1/10T 223J	J24205223	
R 4065	CHIP RES.	680	1/10W	5%	RMC1/10T 681J	J24205681	
R 4066	CHIP RES.	100	1/10W	5%	RMC1/10T 101J	J24205101	
R 4067	CHIP RES.	68	1/10W	5%	RMC1/10T 680J	J24205680	
R 4068	CHIP RES.	22K	1/10W	5%	RMC1/10T 223J	J24205223	
R 4069	CHIP RES.	6. 8K	1/10W	5%	RMC1/10T 682J	J24205682	
R 4070	CHIP RES.	330	1/10W	5%	RMC1/10T 331J	J24205331	
R 4071	CHIP RES.	100	1/10W	5%	RMC1/10T 101J	J24205101	
R 4072	CHIP RES.	150	1/10W	5%	RMC1/10T 151J	J24205151	
R 4073	CHIP RES.	3. 3K	1/10W	5%	RMC1/10T 332J	J24205332	
R 4074	CHIP RES.	100K	1/10W	5%	RMC1/10T 104J	J24205104	
R 4075	CHIP RES.	680	1/10W	5%	RMC1/10T 681J	J24205681	
R 4076	CHIP RES.	100	1/10W	5%	RMC1/10T 101J	J24205101	
R 4077	CHIP RES.	220	1/10W	5%	RMC1/10T 221J	J24205221	
R 4078	CHIP RES.	100K	1/10W	5%	RMC1/10T 104J	J24205104	
R 4079	CHIP RES.	100	1/10W	5%	RMC1/10T 101J	J24205101	
R 4080	CHIP RES.	680	1/10W	5%	RMC1/10T 681J	J24205681	
R 4081	CHIP RES.	6. 8K	1/10W	5%	RMC1/10T 682J	J24205682	
R 4082	CHIP RES.	22K	1/10W	5%	RMC1/10T 223J	J24205223	
R 4083	CHIP RES.	680	1/10W	5%	RMC1/10T 681J	J24205681	
R 4084	CHIP RES.	100	1/10W	5%	RMC1/10T 101J	J24205101	
R 4085	CHIP RES.	150	1/10W	5%	RMC1/10T 151J	J24205151	
R 4086	CHIP RES.	330	1/10W	5%	RMC1/10T 331J	J24205331	
R 4087	CHIP RES.	2. 2M	1/10W	5%	RMC1/10T 225J	J24205225	
R 4088	CHIP RES.	100K	1/10W	5%	RMC1/10T 104J	J24205104	
R 4089	CHIP RES.	150	1/10W	5%	RMC1/10T 151J	J24205151	
R 4090	CHIP RES.	1K	1/10W	5%	RMC1/10T 102J	J24205102	
R 4091	CHIP RES.	47	1/10W	5%	RMC1/10T 470J	J24205470	
R 4092	CHIP RES.	100K	1/10W	5%	RMC1/10T 104J	J24205104	
R 4093	CHIP RES.	680	1/10W	5%	RMC1/10T 681J	J24205681	
R 4094	CHIP RES.	100	1/10W	5%	RMC1/10T 101J	J24205101	
R 4095	CHIP RES.	100	1/10W	5%	RMC1/10T 101J	J24205101	
R 4096	CHIP RES.	100K	1/10W	5%	RMC1/10T 104J	J24205104	
R 4097	CHIP RES.	1K	1/10W	5%	RMC1/10T 102J	J24205102	
R 4099	CHIP RES.	150	1/10W	5%	RMC1/10T 151J	J24205151	
R 4100	CHIP RES.	100	1/10W	5%	RMC1/10T 101J	J24205101	
R 4101	CHIP RES.	100	1/10W	5%	RMC1/10T 101J	J24205101	
R 4102	CHIP RES.	6. 8K	1/10W	5%	RMC1/10T 682J	J24205682	
R 4103	CHIP RES.	22K	1/10W	5%	RMC1/10T 223J	J24205223	
R 4104	CHIP RES.	330	1/10W	5%	RMC1/10T 331J	J24205331	
R 4106	CHIP RES.	68	1/10W	5%	RMC1/10T 680J	J24205680	
R 4108	CHIP RES.	100K	1/10W	5%	RMC1/10T 104J	J24205104	
R 4109	CHIP RES.	150	1/10W	5%	RMC1/10T 151J	J24205151	
R 4110	CHIP RES.	1K	1/10W	5%	RMC1/10T 102J	J24205102	
R 4111	CHIP RES.	47	1/10W	5%	RMC1/10T 470J	J24205470	
R 4112	CHIP RES.	10K	1/10W	5%	RMC1/10T 103J	J24205103	
R 4113	CHIP RES.	560	1/10W	5%	RMC1/10T 561J	J24205561	
R 4115	CHIP RES.	1. 8K	1/10W	5%	RMC1/10T 182J	J24205182	
R 4116	CHIP RES.	100K	1/10W	5%	RMC1/10T 104J	J24205104	
R 4117	CHIP RES.	150	1/10W	5%	RMC1/10T 151J	J24205151	
R 4118	CHIP RES.	100	1/10W	5%	RMC1/10T 101J	J24205101	
R 4119	CHIP RES.	100K	1/10W	5%	RMC1/10T 104J	J24205104	
R 4120	CHIP RES.	100	1/10W	5%	RMC1/10T 101J	J24205101	
R 4121	CHIP RES.	47	1/10W	5%	RMC1/10T 470J	J24205470	
R 4122	CHIP RES.	1K	1/10W	5%	RMC1/10T 102J	J24205102	
R 4123	CHIP RES.	220	1/10W	5%	RMC1/10T 221J	J24205221	
R 4124	CHIP RES.	100K	1/10W	5%	RMC1/10T 104J	J24205104	

Local Unit Parts List

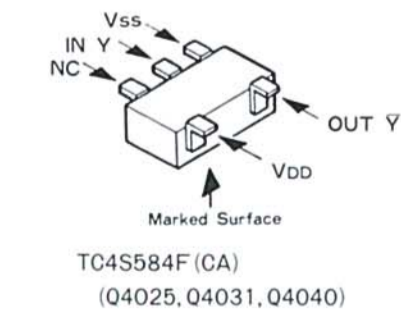
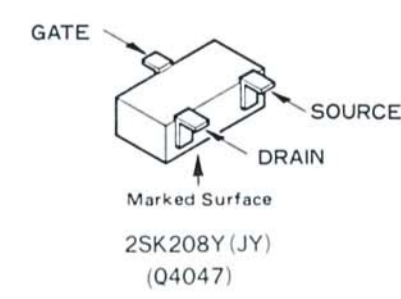
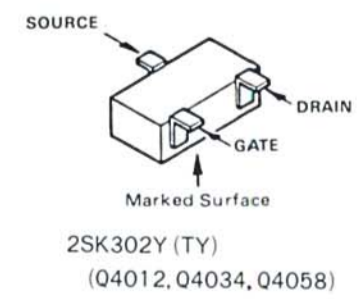
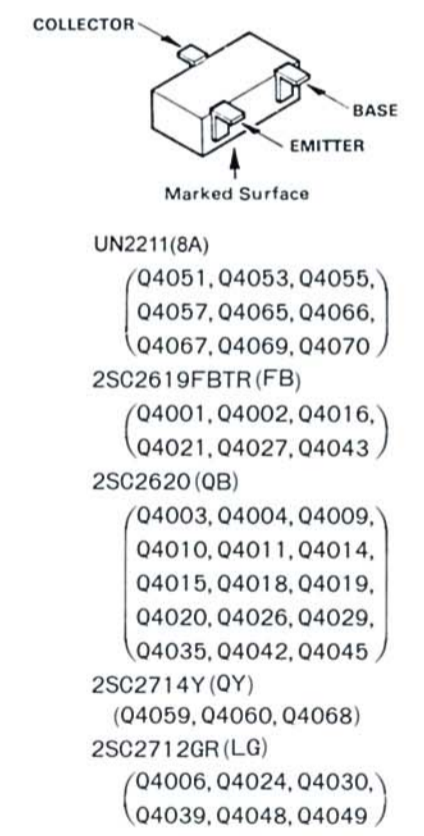
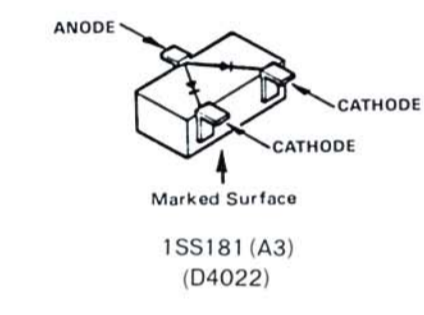
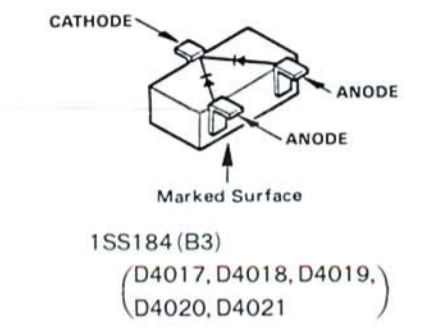
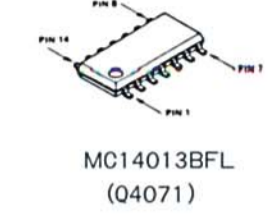
REF.	DESCRIPTION	VALUE	WV	TOL.	MFGR'S DESIG	YAESU P/N	VERS.
R 4125	CHIP RES.	100	1/10W	5%	RMC1/10T 101J	J24205101	
R 4126	CHIP RES.	680	1/10W	5%	RMC1/10T 681J	J24205681	
R 4127	CHIP RES.	150	1/10W	5%	RMC1/10T 151J	J24205151	
R 4129	CHIP RES.	100K	1/10W	5%	RMC1/10T 104J	J24205104	
R 4130	CHIP RES.	150	1/10W	5%	RMC1/10T 151J	J24205151	
R 4131	CHIP RES.	1K	1/10W	5%	RMC1/10T 102J	J24205102	
R 4132	CHIP RES.	100	1/10W	5%	RMC1/10T 101J	J24205101	
R 4133	CHIP RES.	150	1/10W	5%	RMC1/10T 151J	J24205151	
R 4134	CHIP RES.	100K	1/10W	5%	RMC1/10T 104J	J24205104	
R 4135	CHIP RES.	220	1/10W	5%	RMC1/10T 221J	J24205221	
R 4136	CHIP RES.	1K	1/10W	5%	RMC1/10T 102J	J24205102	
R 4137	CHIP RES.	680	1/10W	5%	RMC1/10T 681J	J24205681	
R 4138	CHIP RES.	100K	1/10W	5%	RMC1/10T 104J	J24205104	
R 4139	CHIP RES.	680	1/10W	5%	RMC1/10T 681J	J24205681	
R 4141	CHIP RES.	150	1/10W	5%	RMC1/10T 151J	J24205151	
R 4142	CHIP RES.	330	1/10W	5%	RMC1/10T 331J	J24205331	
R 4143	CHIP RES.	100K	1/10W	5%	RMC1/10T 104J	J24205104	
R 4144	CHIP RES.	100	1/10W	5%	RMC1/10T 101J	J24205101	
R 4145	CHIP RES.	100	1/10W	5%	RMC1/10T 101J	J24205101	
R 4146	CHIP RES.	470	1/10W	5%	RMC1/10T 471J	J24205471	
R 4147	CHIP RES.	10K	1/10W	5%	RMC1/10T 103J	J24205103	
R 4148	CHIP RES.	6.8K	1/10W	5%	RMC1/10T 682J	J24205682	
R 4149	CHIP RES.	680	1/10W	5%	RMC1/10T 681J	J24205681	
R 4150	CHIP RES.	470	1/10W	5%	RMC1/10T 471J	J24205471	
R 4151	CHIP RES.	1.2K	1/10W	5%	RMC1/10T 122J	J24205122	
R 4152	CHIP RES.	1.8K	1/10W	5%	RMC1/10T 182J	J24205182	
R 4154	CHIP RES.	68	1/10W	5%	RMC1/10T 680J	J24205680	
R 4155	CHIP RES.	100K	1/10W	5%	RMC1/10T 104J	J24205104	
R 4156	CHIP RES.	100	1/10W	5%	RMC1/10T 101J	J24205101	
R 4157	CHIP RES.	2.2K	1/10W	5%	RMC1/10T 222J	J24205222	
R 4158	CHIP RES.	22K	1/10W	5%	RMC1/10T 223J	J24205223	
R 4159	CHIP RES.	100	1/10W	5%	RMC1/10T 101J	J24205101	
R 4160	CHIP RES.	100K	1/10W	5%	RMC1/10T 104J	J24205104	
R 4161	CHIP RES.	100	1/10W	5%	RMC1/10T 101J	J24205101	
R 4162	CHIP RES.	22K	1/10W	5%	RMC1/10T 223J	J24205223	
R 4163	CHIP RES.	100	1/10W	5%	RMC1/10T 101J	J24205101	
R 4164	CHIP RES.	100K	1/10W	5%	RMC1/10T 104J	J24205104	
R 4165	CHIP RES.	100	1/10W	5%	RMC1/10T 101J	J24205101	
R 4166	CHIP RES.	22K	1/10W	5%	RMC1/10T 223J	J24205223	
R 4167	CHIP RES.	100	1/10W	5%	RMC1/10T 101J	J24205101	
R 4168	CHIP RES.	100K	1/10W	5%	RMC1/10T 104J	J24205104	
R 4169	CHIP RES.	100	1/10W	5%	RMC1/10T 101J	J24205101	
R 4170	CHIP RES.	22K	1/10W	5%	RMC1/10T 223J	J24205223	
R 4171	CHIP RES.	100	1/10W	5%	RMC1/10T 101J	J24205101	
R 4172	CHIP RES.	100K	1/10W	5%	RMC1/10T 104J	J24205104	
R 4173	CHIP RES.	47	1/10W	5%	RMC1/10T 470J	J24205470	
R 4174	CHIP RES.	1K	1/10W	5%	RMC1/10T 102J	J24205102	
R 4175	CHIP RES.	100	1/10W	5%	RMC1/10T 101J	J24205101	
R 4176	CHIP RES.	100K	1/10W	5%	RMC1/10T 104J	J24205104	
R 4177	CHIP RES.	470	1/10W	5%	RMC1/10T 471J	J24205471	
R 4178	CHIP RES.	6.8K	1/10W	5%	RMC1/10T 682J	J24205682	
R 4179	CHIP RES.	22K	1/10W	5%	RMC1/10T 223J	J24205223	
R 4180	CHIP RES.	470	1/10W	5%	RMC1/10T 471J	J24205471	
R 4181	CHIP RES.	100	1/10W	5%	RMC1/10T 101J	J24205101	
R 4182	CHIP RES.	2.7K	1/10W	5%	RMC1/10T 272J	J24205272	
R 4183	CHIP RES.	6.8K	1/10W	5%	RMC1/10T 682J	J24205682	
R 4184	CHIP RES.	100	1/10W	5%	RMC1/10T 101J	J24205101	
R 4185	CHIP RES.	100	1/10W	5%	RMC1/10T 101J	J24205101	
R 4186	CHIP RES.	100K	1/10W	5%	RMC1/10T 104J	J24205104	
R 4187	CHIP RES.	100K	1/10W	5%	RMC1/10T 104J	J24205104	
R 4188	CHIP RES.	100K	1/10W	5%	RMC1/10T 104J	J24205104	
R 4189	CHIP RES.	100K	1/10W	5%	RMC1/10T 104J	J24205104	
R 4190	CHIP RES.	100K	1/10W	5%	RMC1/10T 104J	J24205104	
R 4191	CHIP RES.	1K	1/10W	5%	RMC1/10T 102J	J24205102	
R 4192	CHIP RES.	100K	1/10W	5%	RMC1/10T 472J	J24205472	
R 4193	CHIP RES.	100K	1/10W	5%	RMC1/10T 472J	J24205472	
R 4194	CHIP RES.	100K	1/10W	5%	RMC1/10T 472J	J24205472	
R 4195	CHIP RES.	100K	1/10W	5%	RMC1/10T 472J	J24205472	
R 4196	CHIP RES.	100K	1/10W	5%	RMC1/10T 472J	J24205472	
R 4197	CHIP RES.	8.2K	1/10W	5%	RMC1/10T 822J	J24205822	
R 4198	CHIP RES.	2.7K	1/10W	5%	RMC1/10T 272J	J24205272	
R 4199	CHIP RES.	470	1/10W	5%	RMC1/10T 471J	J24205471	
R 4200	CHIP RES.	330	1/10W	5%	RMC1/10T 331J	J24205331	
R 4202	CHIP RES.	100	1/10W	5%	RMC1/10T 101J	J24205101	
R 4203	CHIP RES.	330	1/10W	5%	RMC1/10T 331J	J24205331	

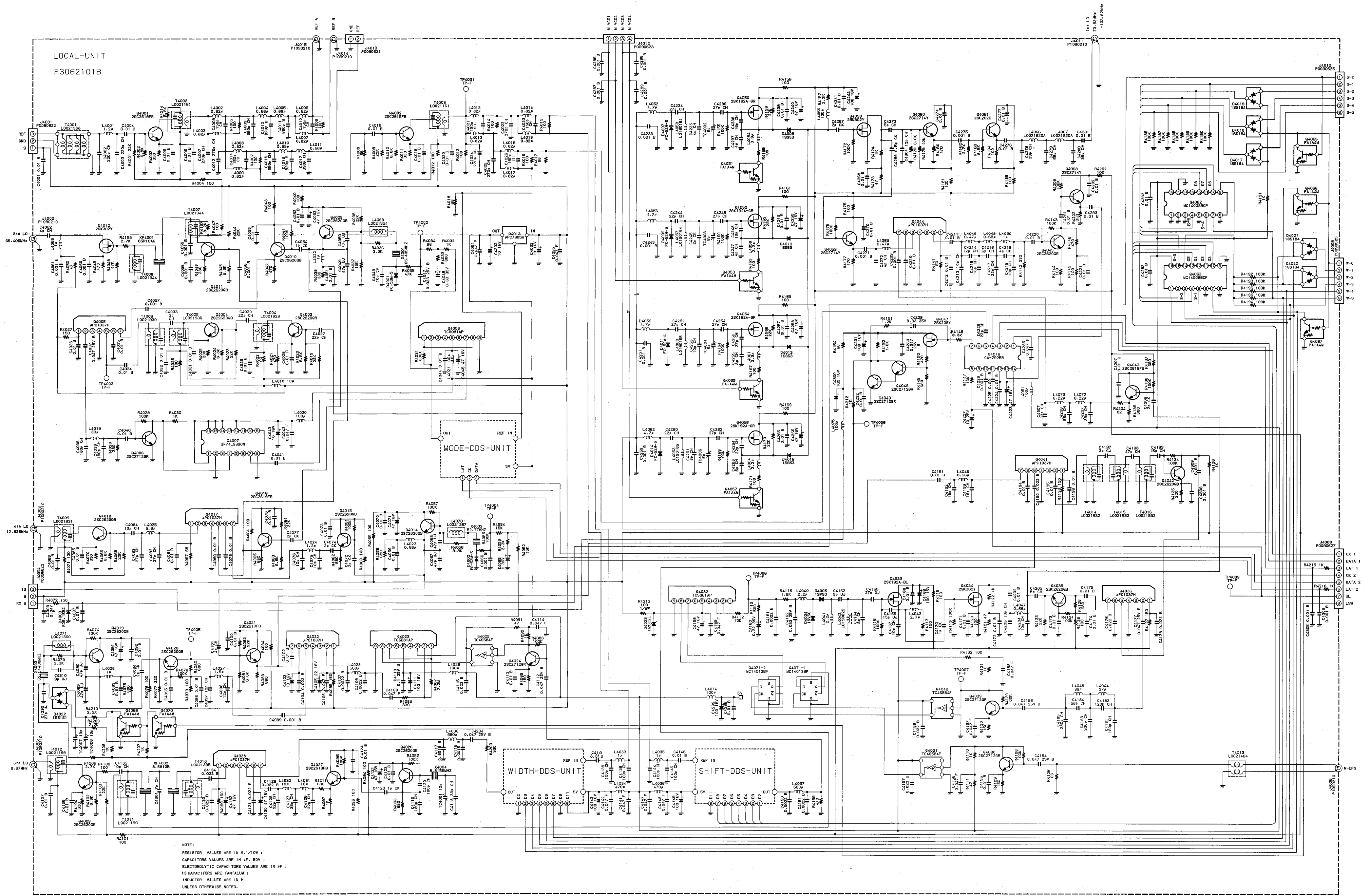
Local Unit Parts List

REF.	DESCRIPTION	VALUE	WV	TOL.	MFGR'S DESIG	YAESU P/N	VERS.
R 4204	CHIP RES.	82	1/10W	5%	RMC1/10T 820J	J24205820	
R 4205	CHIP RES.	100K	1/10W	5%	RMC1/10T 104J	J24205104	
R 4206	CHIP RES.	2.7K	1/10W	5%	RMC1/10T 272J	J24205272	
R 4207	CHIP RES.	1K	1/10W	5%	RMC1/10T 102J	J24205102	
R 4208	CHIP RES.	1K	1/10W	5%	RMC1/10T 102J	J24205102	
R 4209	CHIP RES.	2.2K	1/10W	5%	RMC1/10T 222J	J24205222	
R 4210	CHIP RES.	2.2K	1/10W	5%	RMC1/10T 222J	J24205222	
R 4211	CHIP RES.	680	1/10W	5%	RMC1/10T 681J	J24205681	
R 4212	CHIP RES.	1K	1/10W	5%	RMC1/10T 102J	J24205102	
R 4213	CARBON FILM RES.	100	1/6W	5%	RD16TPJ101 100	J07225101	
R 4214	CHIP RES.	5.6K	1/10W	5%	RMC1/10T 562J	J24205562	
R 4215	CHIP RES.	1K	1/10W	5%	RMC1/10T 102J	J24205102	
R 4216	CHIP RES.	1K	1/10W	5%	RMC1/10T 102J	J24205102	
T 4001	COIL				1-1 RID-Q5B	L0021968	
T 4002	COIL	10.7MHz			10.7M R12-5666A	L0021161	
T 4003	COIL	10.7MHz			10.7M R12-5666A	L0021161	
T 4004	COIL	31.46MHz			31.46M R12-J562A	L0021929	
T 4005	COIL	62.92MHz			62.92M R12-J563A	L0021930	
T 4006	COIL	62.92MHz			62.92M R12-J563A	L0021930	
T 4007	COIL	65.405MHz			65.405M R-M423A	L0021944	
T 4008	COIL	65.405MHz			65.405M R-M423A	L0021944	
T 4009	COIL	12.635MHz			12.635M R-H955A	L0021931	
T 4010	COIL	8.21MHz			8.21M R12-6367A	L0021395	
T 4011	COIL	8.20MHz			8.20M R12-4043A	L0021199	
T 4012	COIL	8.20MHz			8.20M R12-4043A	L0021199	
T 4013	COIL					L0021484	
T 4014	COIL	61.44MHz			61.44M R12-M416A	L0021932	
T 4015	COIL	61.44MHz			61.44M R12-M416A	L0021932	
T 4016	COIL	61.44MHz			61.44M R12-M416A	L0021932	
TC4001	TRIMMER CAP.	10pF			ECV1ZW10X53T 10PF	K91000028	
TC4002	TRIMMER CAP.	6pF			ECV1ZW06X53T 6PF	K91000055	
TC4003	TRIMMER CAP.	6pF			ECV1ZW06X53T 6PF	K91000055	
TC4004	TRIMMER CAP.	6pF			ECV1ZW06X53T 6PF	K91000055	
TC4005	TRIMMER CAP.	6pF			ECV1ZW06X53T 6PF	K91000055	
TC4006	TRIMMER CAP.	10pF			TZBX4N100BC110 10PF	K91000198	
TC4007	TRIMMER CAP.	10pF			TZBX4N100BC110 10PF	K91000198	
TP4001	TP-F				IPS-1032	Q5000026	
TP4002	TP-F				IPS-1032	Q5000026	
TP4003	TP-F				IPS-1032	Q5000026	
TP4004	TP-F				IPS-1032	Q5000026	
TP4005	TP-F				IPS-1032	Q5000026	
TP4006	TP-F				IPS-1032	Q5000026	
TP4007	TP-F				IPS-1032	Q5000026	
TP4008	TP-F				IPS-1032	Q5000026	
TP4009	TP-F				IPS-1032	Q5000026	
X 4001	XTAL	65.405MHz				H0102929	
X 4002	XTAL	52.77MHz				H0102928	
X 4003	XTAL	52.64488MHz				H0102926	
X 4004	XTAL	8.8156MHz				H0102927	
XF4001	XTAL FILTER				65R10AU	H1102153	
XF4002	XTAL FILTER				8.6M10B	H1102168	
	SHIELD CASE (7 pcs)				CASE-S7GDH	L9190016	
	SHIELD CASE					R0131650	
	SHIELD COVER					R0131660	
	SHIELD CASE (5pcs)					R0131670A	
	SHIELD COVER (5pcs)					R0131680	
	SHIELD PLATE (5pcs)					R0131690	
	SHIELD PLATE					R0133930	
	SPONGE RUBBER					R7126100	



(obverse view of "chip-only" side)





Control Unit Parts List

REF.	DESCRIPTION	VALUE	WV	TOL.	MFRG'S DESIG	YAESU P/N	VERS.
*** CNTL UNIT ***							
	PCB with Components					CA0014003	DST EXP
	PCB with Components					CA0014004	DST USA
	PCB with Components					CA0014005	DST AUS
	PCB with Components					CA0014006	DST BEL
	Printed Circuit Board					F3064101C	
C 5001	CHIP CAP.	0.1uF	25V	F	GRM40F104Z25PT	K22141005	
C 5002	CHIP CAP.	0.01uF	50V	F	GRM40F103Z50PT	K22171004	
C 5003	CHIP CAP.	0.01uF	50V	F	GRM40F103Z50PT	K22171004	
C 5004	TANTALUM CHIP CAP.	4.7uF	16V		TEMSVB21C475M-8R	K78120016	
C 5005	TANTALUM CHIP CAP.	4.7uF	16V		TEMSVB21C475M-8R	K78120016	
C 5006	CHIP CAP.	0.01uF	50V	F	GRM40F103Z50PT	K22171004	
C 5007	TANTALUM CHIP CAP.	4.7uF	16V		TEMSVB21C475M-8R	K78120016	
C 5008	CHIP CAP.	0.01uF	50V	F	GRM40F103Z50PT	K22171004	
C 5009	TANTALUM CHIP CAP.	1uF	25V		TEMSVA1E105M-8R	K78140013	
C 5010	CHIP CAP.	0.01uF	50V	F	GRM40F103Z50PT	K22171004	
C 5011	CHIP CAP.	0.01uF	50V	F	GRM40F103Z50PT	K22171004	
C 5012	CHIP CAP.	0.01uF	50V	F	GRM40F103Z50PT	K22171004	
C 5013	CHIP CAP.	0.001uF	50V	B	GRM40B102M50PT	K22170805	
C 5014	CHIP CAP.	0.01uF	50V	F	GRM40F103Z50PT	K22171004	
C 5015	CHIP CAP.	0.01uF	50V	F	GRM40F103Z50PT	K22171004	
C 5016	CHIP CAP.	0.01uF	50V	F	GRM40F103Z50PT	K22171004	
C 5017	CHIP CAP.	220pF	50V	CH	GRM40CH221J50PT	K22170243	
C 5018	CHIP CAP.	220pF	50V	CH	GRM40CH221J50PT	K22170243	
C 5019	CHIP CAP.	220pF	50V	CH	GRM40CH221J50PT	K22170243	
C 5020	CHIP CAP.	220pF	50V	CH	GRM40CH221J50PT	K22170243	
C 5021	CHIP CAP.	47pF	50V	CH	GRM40CH470J50PT	K22170227	
C 5022	CHIP CAP.	47pF	50V	CH	GRM40CH470J50PT	K22170227	
C 5024	CHIP CAP.	220pF	50V	CH	GRM40CH221J50PT	K22170243	
C 5025	CHIP CAP.	220pF	50V	CH	GRM40CH221J50PT	K22170243	
C 5026	CHIP CAP.	220pF	50V	CH	GRM40CH221J50PT	K22170243	
C 5027	CHIP CAP.	220pF	50V	CH	GRM40CH221J50PT	K22170243	
C 5028	CHIP CAP.	47pF	50V	CH	GRM40CH470J50PT	K22170227	
C 5029	CHIP CAP.	47pF	50V	CH	GRM40CH470J50PT	K22170227	
C 5030	CHIP CAP.	0.01uF	50V	F	GRM40F103Z50PT	K22171004	
C 5031	CHIP CAP.	220pF	50V	CH	GRM40CH221J50PT	K22170243	
C 5032	CHIP CAP.	220pF	50V	CH	GRM40CH221J50PT	K22170243	
C 5033	CHIP CAP.	220pF	50V	CH	GRM40CH221J50PT	K22170243	
C 5034	CHIP CAP.	220pF	50V	CH	GRM40CH221J50PT	K22170243	
C 5035	CHIP CAP.	47pF	50V	CH	GRM40CH470J50PT	K22170227	
C 5036	CHIP CAP.	47pF	50V	CH	GRM40CH470J50PT	K22170227	
C 5037	CHIP CAP.	0.01uF	50V	F	GRM40F103Z50PT	K22171004	
C 5038	CHIP CAP.	0.01uF	50V	F	GRM40F103Z50PT	K22171004	
C 5039	CHIP CAP.	0.01uF	50V	F	GRM40F103Z50PT	K22171004	
C 5040	CHIP CAP.	0.01uF	50V	F	GRM40F103Z50PT	K22171004	
C 5041	CHIP CAP.	0.01uF	50V	F	GRM40F103Z50PT	K22171004	
C 5042	CHIP CAP.	0.01uF	50V	F	GRM40F103Z50PT	K22171004	
C 5043	CHIP CAP.	0.01uF	50V	F	GRM40F103Z50PT	K22171004	
C 5044	CHIP CAP.	0.01uF	50V	F	GRM40F103Z50PT	K22171004	
C 5045	CHIP CAP.	0.01uF	50V	F	GRM40F103Z50PT	K22171004	
C 5046	CHIP CAP.	0.01uF	50V	F	GRM40F103Z50PT	K22171004	
C 5047	CHIP CAP.	0.01uF	50V	F	GRM40F103Z50PT	K22171004	
C 5048	CHIP CAP.	0.01uF	50V	F	GRM40F103Z50PT	K22171004	
C 5049	CHIP CAP.	0.01uF	50V	F	GRM40F103Z50PT	K22171004	
C 5050	CHIP CAP.	0.01uF	50V	F	GRM40F103Z50PT	K22171004	
C 5051	CHIP CAP.	0.01uF	50V	F	GRM40F103Z50PT	K22171004	
C 5052	CHIP CAP.	0.01uF	50V	F	GRM40F103Z50PT	K22171004	
C 5053	CHIP CAP.	0.01uF	50V	F	GRM40F103Z50PT	K22171004	
C 5054	CHIP CAP.	0.01uF	50V	F	GRM40F103Z50PT	K22171004	
C 5055	CHIP CAP.	0.01uF	50V	F	GRM40F103Z50PT	K22171004	
C 5056	CHIP CAP.	0.01uF	50V	F	GRM40F103Z50PT	K22171004	
C 5057	CHIP CAP.	0.01uF	50V	F	GRM40F103Z50PT	K22171004	
C 5058	CHIP CAP.	0.01uF	50V	F	GRM40F103Z50PT	K22171004	
C 5059	CHIP CAP.	0.01uF	50V	F	GRM40F103Z50PT	K22171004	
C 5060	CHIP CAP.	0.01uF	50V	F	GRM40F103Z50PT	K22171004	
C 5061	CHIP CAP.	0.01uF	50V	F	GRM40F103Z50PT	K22171004	
C 5062	CHIP CAP.	0.01uF	50V	F	GRM40F103Z50PT	K22171004	
C 5063	CHIP CAP.	0.01uF	50V	F	GRM40F103Z50PT	K22171004	

Control Unit Parts List

REF.	DESCRIPTION	VALUE	WV	TOL.	MFGR'S DESIG	YAESU P/N	VERS.
C 5135	CHIP CAP.	0.01uF	50V	F	GRM40F103Z50PT	K22171004	
C 5136	CHIP CAP.	0.01uF	50V	F	GRM40F103Z50PT	K22171004	
C 5137	CHIP CAP.	0.01uF	50V	F	GRM40F103Z50PT	K22171004	
C 5138	CHIP CAP.	0.01uF	50V	F	GRM40F103Z50PT	K22171004	
C 5139	CHIP CAP.	0.01uF	50V	F	GRM40F103Z50PT	K22171004	
C 5140	CHIP CAP.	0.01uF	50V	F	GRM40F103Z50PT	K22171004	
C 5141	CHIP CAP.	0.01uF	50V	F	GRM40F103Z50PT	K22171004	
C 5142	CHIP CAP.	0.01uF	50V	F	GRM40F103Z50PT	K22171004	
C 5143	CHIP CAP.	0.01uF	50V	F	GRM40F103Z50PT	K22171004	
C 5144	CHIP CAP.	0.01uF	50V	F	GRM40F103Z50PT	K22171004	
C 5145	CHIP CAP.	0.01uF	50V	F	GRM40F103Z50PT	K22171004	
C 5146	CHIP CAP.	0.01uF	50V	F	GRM40F103Z50PT	K22171004	
C 5147	CHIP CAP.	18pF	50V	CH	GRM40CH180J50PT	K22170217	
C 5148	CHIP CAP.	18pF	50V	CH	GRM40CH180J50PT	K22170217	
C 5149	CHIP CAP.	0.01uF	50V	F	GRM40F103Z50PT	K22171004	
C 5150	CHIP CAP.	0.01uF	50V	F	GRM40F103Z50PT	K22171004	
C 5151	CHIP CAP.	0.01uF	50V	F	GRM40F103Z50PT	K22171004	
C 5152	TANTALUM CHIP CAP.	0.22uF	35V		TESVA1V224M1-8R	K78160027	
C 5153	CHIP CAP.	0.01uF	50V	F	GRM40F103Z50PT	K22171004	
C 5154	CHIP CAP.	0.022uF	50V	B	GRM40B223M50PT	K22170821	
C 5155	CHIP CAP.	0.1uF	25V	B	GRM42-6B104M25PT	K22141809	
C 5156	CHIP CAP.	0.01uF	50V	F	GRM40F103Z50PT	K22171004	
C 5157	CHIP CAP.	0.01uF	50V	F	GRM40F103Z50PT	K22171004	
C 5158	CHIP CAP.	0.01uF	50V	F	GRM40F103Z50PT	K22171004	
C 5159	CHIP CAP.	0.01uF	50V	F	GRM40F103Z50PT	K22171004	
C 5160	CHIP CAP.	0.01uF	50V	F	GRM40F103Z50PT	K22171004	
C 5162	CHIP CAP.	0.01uF	50V	F	GRM40F103Z50PT	K22171004	
C 5163	CHIP CAP.	0.01uF	50V	F	GRM40F103Z50PT	K22171004	
C 5164	CHIP CAP.	0.01uF	50V	F	GRM40F103Z50PT	K22171004	
C 5165	CHIP CAP.	0.01uF	50V	F	GRM40F103Z50PT	K22171004	
C 5166	TANTALUM CAP.	1uF	35V		DN1V010M1S	K70167105	
D 5001	DIODE				MC2838-T12-2	G2070018	
D 5002	DIODE				MC2838-T12-2	G2070018	
D 5003	DIODE				MC2838-T12-2	G2070018	
D 5004	DIODE				MC2838-T12-2	G2070018	
D 5008	DIODE				MC2838-T12-2	G2070018	
D 5009	DIODE				1SS184 TE85R	G2070009	
J 5001	CONNECTOR				SC25-04WS	P0090623	
J 5002	CONNECTOR				SC25-07WS	P0090626	
J 5003	CONNECTOR				SC25-08WS	P0090627	
J 5004	CONNECTOR				SC25-04WS	P0090623	
J 5005	CONNECTOR				SC25-05WS	P0090624	
J 5006	CONNECTOR				SC25-04WS	P0090623	
J 5007	CONNECTOR				SC25-07WS	P0090626	
J 5008	CONNECTOR				SC25-04WS	P0090623	
J 5009	CONNECTOR				SC25-05WS	P0090624	
J 5010	CONNECTOR				SC25-04WS	P0090623	
J 5011	CONNECTOR				SC25-02WS	P0090621	
J 5012	CONNECTOR				SC25-03WS	P0090622	
J 5013	CONNECTOR				SC25-03WS	P0090622	
J 5014	CONNECTOR				SC25-05WS	P0090624	
J 5015	CONNECTOR				SC25-08WS	P0090627	
J 5016	CONNECTOR				SC25-06WS	P0090625	
J 5017	CONNECTOR				SC25-03WS	P0090622	
J 5018	CONNECTOR				SC25-03WS	P0090622	
J 5019	CONNECTOR				SC25-10WS	P0090629	
J 5020	CONNECTOR				SC25-08WS	P0090627	
J 5021	CONNECTOR				SC25-04WS	P0090623	
J 5022	CONNECTOR				SC25-05WS	P0090624	
J 5023	CONNECTOR				SC25-05WS	P0090624	
J 5024	CONNECTOR				SC25-04WS	P0090623	
J 5025	CONNECTOR				SC25-05WS	P0090624	
J 5026	CONNECTOR				SC25-12WS	P0090631	
J 5027	CONNECTOR				SC25-09WS	P0090628	
J 5028	CONNECTOR				SC25-02WS	P0090621	
J 5029	CONNECTOR				SC25-02WS	P0090621	
J 5030	CONNECTOR				SC25-05WS	P0090624	
J 5031	CONNECTOR				SC25-04WS	P0090623	
J 5032	CONNECTOR				SC25-04WS	P0090623	

Control Unit Parts List

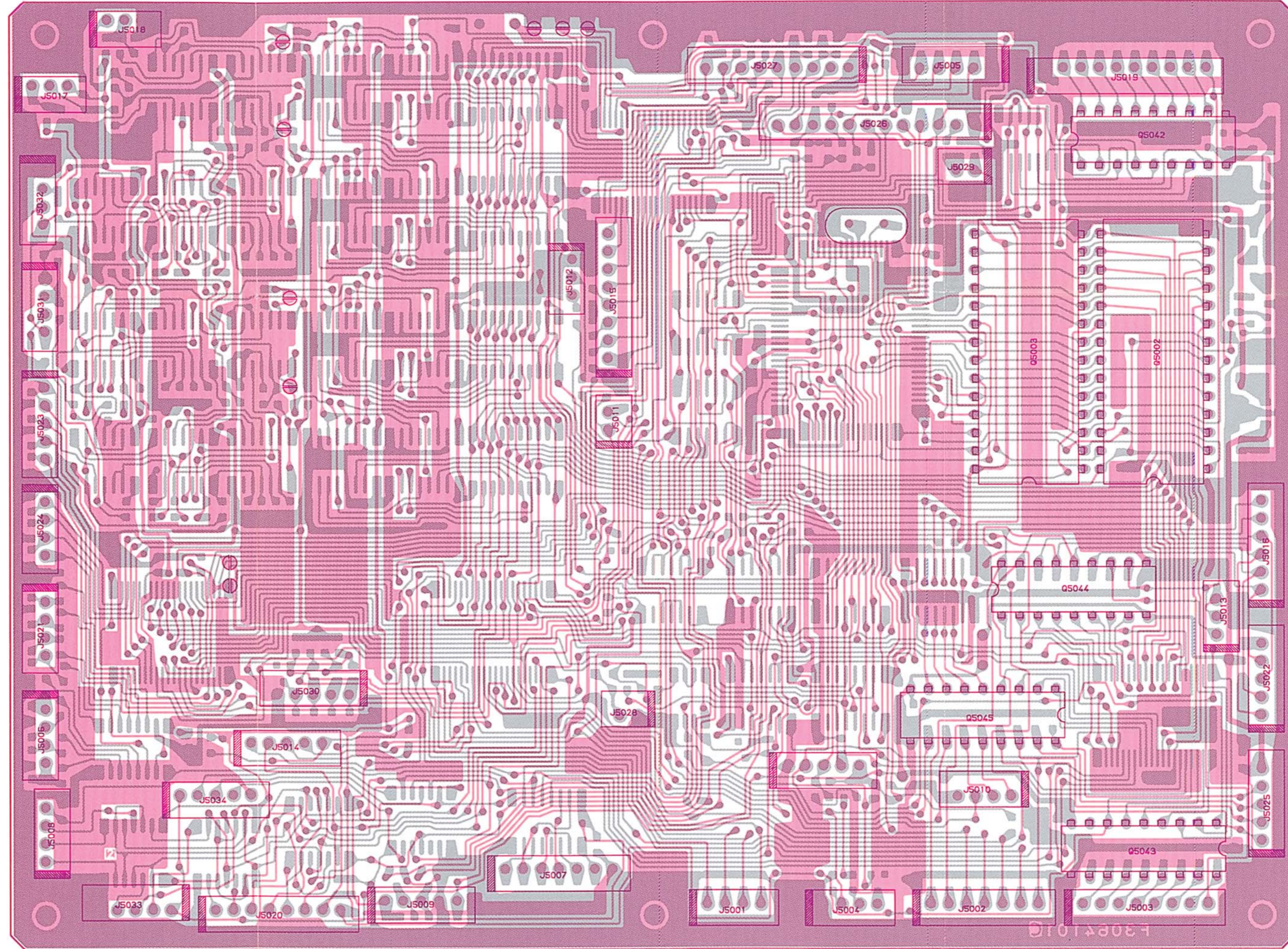
REF.	DESCRIPTION	VALUE	WV	TOL.	MFGR'S DESIG	YAESU P/N	VERS.
J 5033	CONNECTOR				SC25-05WS	P0090624	
J 5034	CONNECTOR				SC25-05WS	P0090624	
Q 5001	IC				HD64180R1F8	G1091009	
Q 5002	IC				LH5168-10L	G1092822	
Q 5003	IC				TMS27C256-15JL(VK)	G1092147	DST AUS
Q 5003	IC				TMS27C256-15JL(MCR)	G1092148	DST BEL
Q 5003	IC				TMS27C256-15JL(V6)	G1092146	DST EXP
Q 5003	IC				TMS27C256-15JL(V6)	G1092146	DST USA
Q 5004	IC				M5M82C55AFP-2D7	G1090993	
Q 5005	IC				M5M82C55AFP-2D7	G1090993	
Q 5006	IC				M5M82C55AFP-2D7	G1090993	
Q 5007	IC				M5M82C55AFP-2D7	G1090993	
Q 5008	IC				TC74HC138F TP2	G1091023	
Q 5009	IC				TC74HC138F TP2	G1091023	
Q 5010	IC				MC74HC32FL	G1090996	
Q 5011	IC				TC74HC173AF-TP2	G1091010	
Q 5012	IC				MC74HC32FL	G1090996	
Q 5013	IC				MC74HC00FL	G1090997	
Q 5014	IC				MC74HC00FL	G1090997	
Q 5015	IC				MC74HC00FL	G1090997	
Q 5016	IC				TC74HC541AF-TP2	G1091011	
Q 5017	IC				TC74HC541AF-TP2	G1091011	
Q 5018	IC				TC74HC541AF-TP2	G1091011	
Q 5019	IC				TC74HC541AF-TP2	G1091011	
Q 5020	IC				TC74HC191AF-TP2	G1091012	
Q 5021	IC				TC74HC191AF-TP2	G1091012	
Q 5022	IC				TC74HC191AF-TP2	G1091012	
Q 5023	IC				TC74HC191AF-TP2	G1091012	
Q 5024	IC				TC74HC191AF-TP2	G1091012	
Q 5025	IC				TC74HC191AF-TP2	G1091012	
Q 5026	IC				TC74HC191AF-TP2	G1091012	
Q 5027	IC				TC74HC191AF-TP2	G1091012	
Q 5028	IC				MC14013BFL	G1090994	
Q 5029	IC				MC14013BFL	G1090994	
Q 5030	IC				TC4072BF TP2	G1091021	
Q 5031	IC				TC4072BF TP2	G1091021	
Q 5032	IC				TC4072BF TP2	G1091021	
Q 5033	IC				TC4081BF TP2	G1091022	
Q 5034	IC				TC4081BF TP2	G1091022	
Q 5035	IC				TC4081BF TP2	G1091022	
Q 5036	IC				MC14584BFL	G1090995	
Q 5037	IC				MC14584BFL	G1090995	
Q 5038	IC				MC14584BFL	G1090995	
Q 5039	IC				UPD74HC239G-T2	G1090987	
Q 5040	IC				MC14028BFL	G1090998	
Q 5041	IC				MC14028BFL	G1090998	
Q 5042	IC				M54563P	G1090721	
Q 5043	IC				M54564P	G1090836	
Q 5044	IC				M54564P	G1090836	
Q 5045	IC				M54564P	G1090836	
Q 5046	IC				M5223AFP-600C	G1092955	
Q 5047	IC				M51943BML-600C	G1090991	
Q 5048	IC				TA78L05F TE12R	G1091014	
Q 5049	TRANSISTOR				2SA1162GR TE85R	G3111627G	
Q 5050	TRANSISTOR				2SC2712GR TE85R	G3327127G	
Q 5051	TRANSISTOR				2SC2712GR TE85R	G3327127G	
Q 5052	TRANSISTOR				UN2211	G3070205	
Q 5053	TRANSISTOR				UN2211	G3070205	
Q 5055	IC				TC74HC08AF TP2	G1090975	
Q 5056	IC				TC74HC08AF TP2	G1090975	
Q 5057	IC				TC74HC08AF TP2	G1090975	
Q 5058	IC				TC74HC08AF TP2	G1090975	
QS5001	CONNECTOR				DILB-28P-8J	P3090057	
R 5001	CHIP RES.	2.2K	1/10W	5%	RMC1/10T 22J	J24205222	
R 5002	CHIP RES.	1K	1/10W	5%	RMC1/10T 102J	J24205102	
R 5003	CHIP RES.	22K	1/10W	5%	RMC1/10T 223J	J24205223	
R 5004	CHIP RES.	4.7K	1/10W	5%	RMC1/10T 472J	J24205472	
R 5005	CHIP RES.	4.7K	1/10W	5%	RMC1/10T 472J	J24205472	

Control Unit Parts List

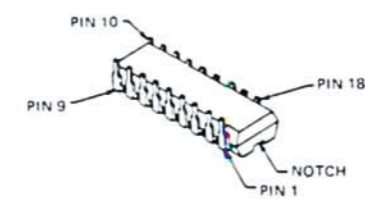
REF.	DESCRIPTION	VALUE	WV	TOL.	MFGR'S DESIG	YAESU P/N	VERS.
R 5006	CHIP RES.	100K	1/10W	5%	RMC1/10T 104J	J24205104	
R 5007	CHIP RES.	100K	1/10W	5%	RMC1/10T 104J	J24205104	
R 5008	CHIP RES.	100K	1/10W	5%	RMC1/10T 104J	J24205104	
R 5009	CHIP RES.	100	1/10W	5%	RMC1/10T 101J	J24205101	
R 5010	CHIP RES.	1K	1/10W	5%	RMC1/10T 102J	J24205102	
R 5011	CHIP RES.	47K	1/10W	5%	RMC1/10T 473J	J24205473	
R 5012	CHIP RES.	10K	1/10W	5%	RMC1/10T 103J	J24205103	
R 5013	CHIP RES.	82K	1/10W	5%	RMC1/10T 823J	J24205823	
R 5015	CHIP RES.	10K	1/10W	5%	RMC1/10T 103J	J24205103	
R 5016	CHIP RES.	100K	1/10W	5%	RMC1/10T 104J	J24205104	
R 5017	CHIP RES.	100K	1/10W	5%	RMC1/10T 104J	J24205104	
R 5018	CHIP RES.	47K	1/10W	5%	RMC1/10T 473J	J24205473	
R 5019	CHIP RES.	100K	1/10W	5%	RMC1/10T 104J	J24205104	
R 5020	CHIP RES.	100K	1/10W	5%	RMC1/10T 104J	J24205104	
R 5021	CHIP RES.	100K	1/10W	5%	RMC1/10T 104J	J24205104	
R 5022	CHIP RES.	100K	1/10W	5%	RMC1/10T 104J	J24205104	
R 5023	CHIP RES.	47K	1/10W	5%	RMC1/10T 473J	J24205473	
R 5024	CHIP RES.	33K	1/10W	5%	RMC1/10T 333J	J24205333	
R 5025	CHIP RES.	33K	1/10W	5%	RMC1/10T 333J	J24205333	
R 5026	CHIP RES.	100K	1/10W	5%	RMC1/10T 104J	J24205104	
R 5027	CHIP RES.	100K	1/10W	5%	RMC1/10T 104J	J24205104	
R 5028	CHIP RES.	47K	1/10W	5%	RMC1/10T 473J	J24205473	
R 5029	CHIP RES.	47K	1/10W	5%	RMC1/10T 473J	J24205473	
R 5030	CHIP RES.	47K	1/10W	5%	RMC1/10T 473J	J24205473	
R 5031	CHIP RES.	47K	1/10W	5%	RMC1/10T 473J	J24205473	
R 5032	CHIP RES.	10K	1/10W	5%	RMC1/10T 103J	J24205103	
R 5033	CHIP RES.	47K	1/10W	5%	RMC1/10T 473J	J24205473	
R 5034	CHIP RES.	33K	1/10W	5%	RMC1/10T 333J	J24205333	
R 5035	CHIP RES.	33K	1/10W	5%	RMC1/10T 333J	J24205333	
R 5036	CHIP RES.	100K	1/10W	5%	RMC1/10T 104J	J24205104	
R 5037	CHIP RES.	100K	1/10W	5%	RMC1/10T 104J	J24205104	
R 5038	CHIP RES.	47K	1/10W	5%	RMC1/10T 473J	J24205473	
R 5039	CHIP RES.	47K	1/10W	5%	RMC1/10T 473J	J24205473	
R 5040	CHIP RES.	47K	1/10W	5%	RMC1/10T 473J	J24205473	
R 5041	CHIP RES.	47K	1/10W	5%	RMC1/10T 473J	J24205473	
R 5042	CHIP RES.	10K	1/10W	5%	RMC1/10T 103J	J24205103	
R 5043	CHIP RES.	47K	1/10W	5%	RMC1/10T 473J	J24205473	
R 5044	CHIP RES.	33K	1/10W	5%	RMC1/10T 333J	J24205333	
R 5045	CHIP RES.	33K	1/10W	5%	RMC1/10T 333J	J24205333	
R 5046	CHIP RES.	100K	1/10W	5%	RMC1/10T 104J	J24205104	
R 5047	CHIP RES.	100K	1/10W	5%	RMC1/10T 104J	J24205104	
R 5048	CHIP RES.	47K	1/10W	5%	RMC1/10T 473J	J24205473	
R 5049	CHIP RES.	47K	1/10W	5%	RMC1/10T 473J	J24205473	
R 5050	CHIP RES.	47K	1/10W	5%	RMC1/10T 473J	J24205473	
R 5051	CHIP RES.	47K	1/10W	5%	RMC1/10T 473J	J24205473	
R 5052	CHIP RES.	10K	1/10W	5%	RMC1/10T 103J	J24205103	
R 5053	CHIP RES.	47K	1/10W	5%	RMC1/10T 473J	J24205473	
R 5054	CHIP RES.	100	1/10W	5%	RMC1/10T 101J	J24205101	
R 5055	CHIP RES.	100	1/10W	5%	RMC1/10T 101J	J24205101	
R 5056	CHIP RES.	100	1/10W	5%	RMC1/10T 101J	J24205101	
R 5057	CHIP RES.	100	1/10W	5%	RMC1/10T 101J	J24205101	
R 5058	CHIP RES.	100	1/10W	5%	RMC1/10T 101J	J24205101	
R 5059	CHIP RES.	100	1/10W	5%	RMC1/10T 101J	J24205101	
R 5060	CHIP RES.	100	1/10W	5%	RMC1/10T 101J	J24205101	
R 5061	CHIP RES.	100	1/10W	5%	RMC1/10T 101J	J24205101	
R 5062	CHIP RES.	100K	1/10W	5%	RMC1/10T 104J	J24205104	
R 5066	CHIP RES.	1. 2K	1/10W	5%	RMC1/10T 122J	J24205122	
R 5067	CHIP RES.	1. 2K	1/10W	5%	RMC1/10T 122J	J24205122	
R 5068	CHIP RES.	1. 2K	1/10W	5%	RMC1/10T 122J	J24205122	
R 5069	CHIP RES.	1. 2K	1/10W	5%	RMC1/10T 122J	J24205122	
R 5070	CHIP RES.	100K	1/10W	5%	RMC1/10T 104J	J24205104	
R 5071	CHIP RES.	100K	1/10W	5%	RMC1/10T 104J	J24205104	
R 5072	CHIP RES.	100K	1/10W	5%	RMC1/10T 104J	J24205104	
R 5073	CHIP RES.	100K	1/10W	5%	RMC1/10T 104J	J24205104	
R 5074	CHIP RES.	100K	1/10W	5%	RMC1/10T 104J	J24205104	
R 5075	CHIP RES.	100K	1/10W	5%	RMC1/10T 104J	J24205104	
R 5076	CHIP RES.	100K	1/10W	5%	RMC1/10T 104J	J24205104	
R 5077	CHIP RES.	100K	1/10W	5%	RMC1/10T 104J	J24205104	
R 5078	CHIP RES.	100K	1/10W	5%	RMC1/10T 104J	J24205104	
R 5079	CHIP RES.	100K	1/10W	5%	RMC1/10T 104J	J24205104	
R 5081	CHIP RES.	100K	1/10W	5%	RMC1/10T 104J	J24205104	

Control Unit Parts List

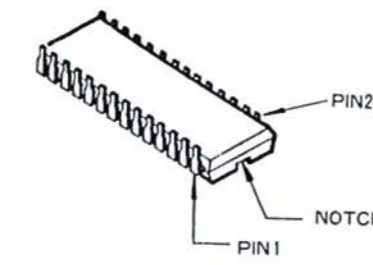
REF.	DESCRIPTION	VALUE	WV	TOL.	MFGR'S DESIG	YAESU P/N	VERS.
R 5082	CHIP RES.	100K	1/10W	5%	RMC1/10T 104J	J24205104	
R 5083	CHIP RES.	6.8K	1/10W	5%	RMC1/10T 682J	J24205682	
R 5084	CHIP RES.	6.8K	1/10W	5%	RMC1/10T 682J	J24205682	
R 5085	CHIP RES.	6.8K	1/10W	5%	RMC1/10T 682J	J24205682	
R 5086	CHIP RES.	6.8K	1/10W	5%	RMC1/10T 682J	J24205682	
R 5088	CHIP RES.	100K	1/10W	5%	RMC1/10T 104J	J24205104	
R 5089	CHIP RES.	100K	1/10W	5%	RMC1/10T 104J	J24205104	
R 5090	CHIP RES.	100K	1/10W	5%	RMC1/10T 104J	J24205104	
R 5091	CHIP RES.	100K	1/10W	5%	RMC1/10T 104J	J24205104	
R 5092	CHIP RES.	100K	1/10W	5%	RMC1/10T 104J	J24205104	
R 5093	CHIP RES.	15K	1/10W	5%	RMC1/10T 153J	J24205153	
R 5094	CHIP RES.	10K	1/10W	5%	RMC1/10T 103J	J24205103	
R 5095	CHIP RES.	100K	1/10W	5%	RMC1/10T 104J	J24205104	
R 5096	CHIP RES.	100K	1/10W	5%	RMC1/10T 104J	J24205104	
R 5097	CHIP RES.	100K	1/10W	5%	RMC1/10T 104J	J24205104	
R 5100	CHIP RES.	100K	1/10W	5%	RMC1/10T 104J	J24205104	
R 5101	CHIP RES.	100K	1/10W	5%	RMC1/10T 104J	J24205104	
R 5102	CHIP RES.	100K	1/10W	5%	RMC1/10T 104J	J24205104	
R 5103	CHIP RES.	100K	1/10W	5%	RMC1/10T 104J	J24205104	
R 5104	CHIP RES.	470	1/10W	5%	RMC1/10T 471J	J24205471	
R 5105	CHIP RES.	680	1/10W	5%	RMC1/10T 681J	J24205681	
R 5106	CHIP RES.	100K	1/10W	5%	RMC1/10T 104J	J24205104	
R 5108	CHIP RES.	100K	1/10W	5%	RMC1/10T 104J	J24205104	
R 5109	CHIP RES.	10K	1/10W	5%	RMC1/10T 103J	J24205103	
R 5110	CHIP RES.	10K	1/10W	5%	RMC1/10T 103J	J24205103	
R 5112	CHIP RES.	10K	1/10W	5%	RMC1/10T 103J	J24205103	
R 5113	CHIP RES.	10K	1/10W	5%	RMC1/10T 103J	J24205103	
R 5114	CHIP RES.	10K	1/10W	5%	RMC1/10T 103J	J24205103	
R 5115	CARBON FILM RES.	1M	1/6W	5%	RD16PJ105 1M	J01225105	
X 5001	XTAL	12.288MHz				H0102937	
	SHIELD CASE CNTL					R0513920	



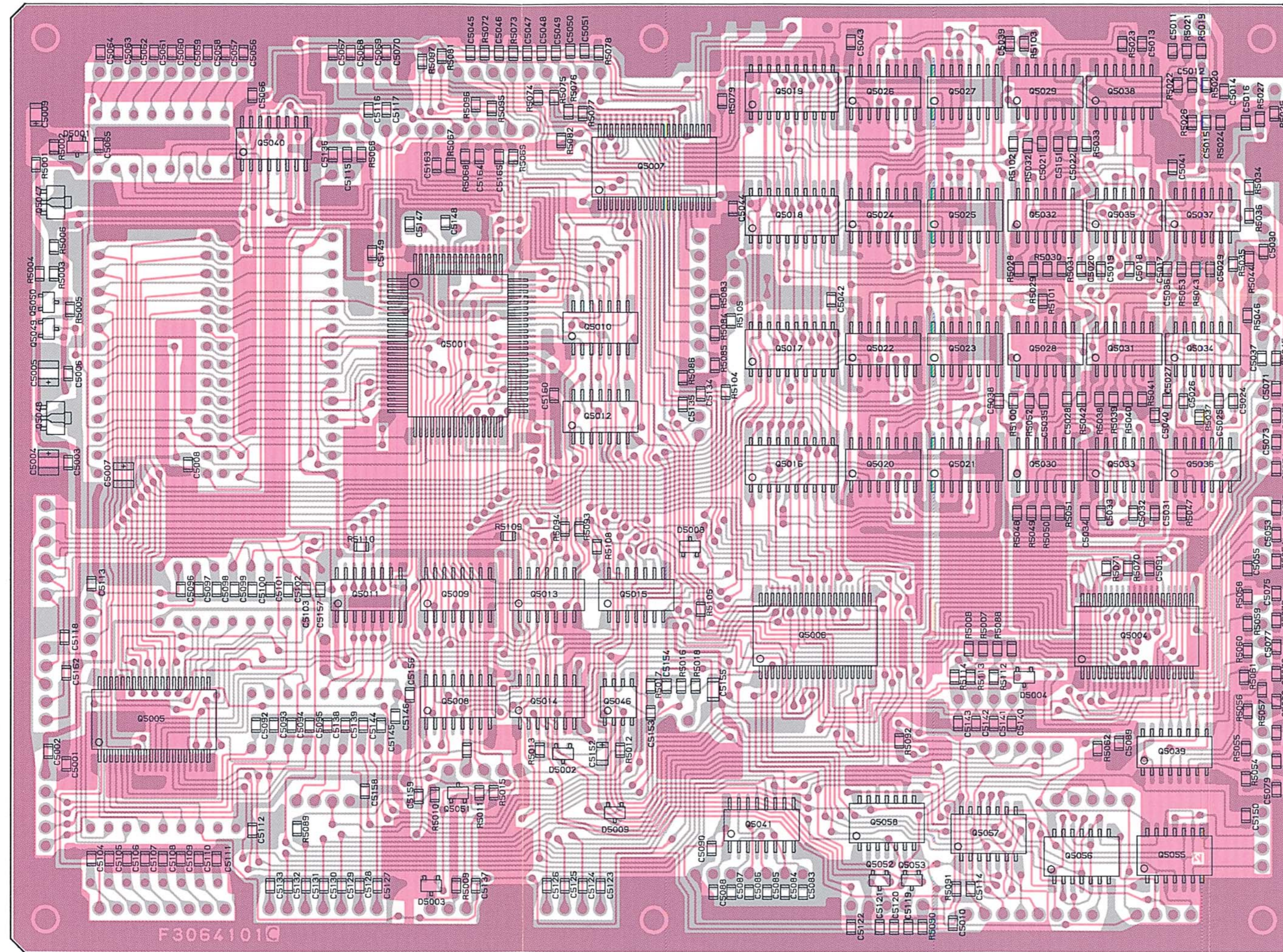
(obverse view of "component" side)



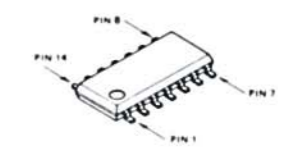
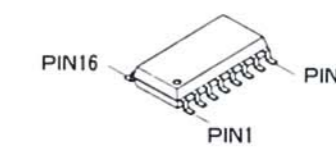
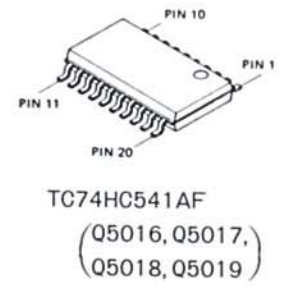
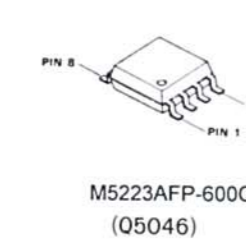
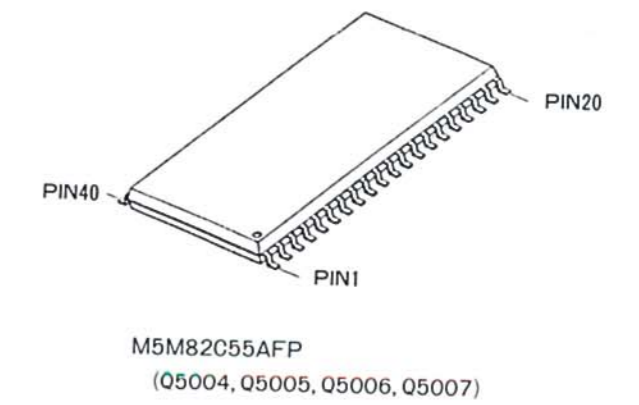
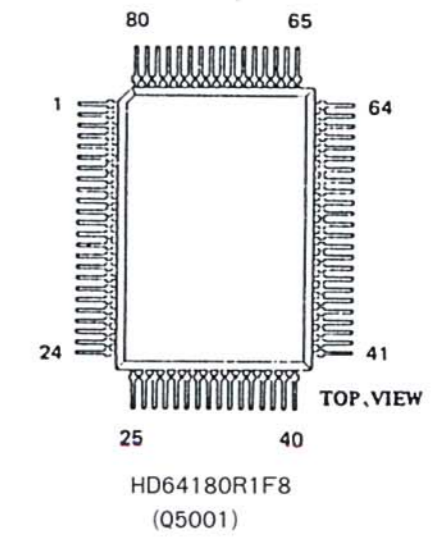
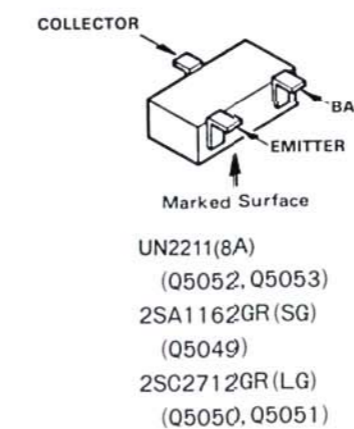
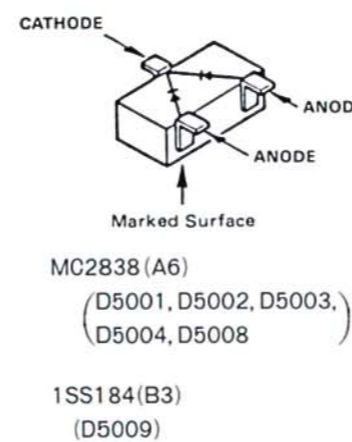
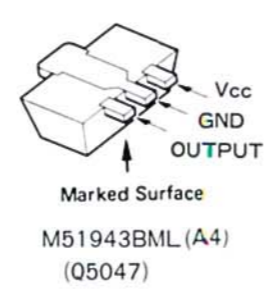
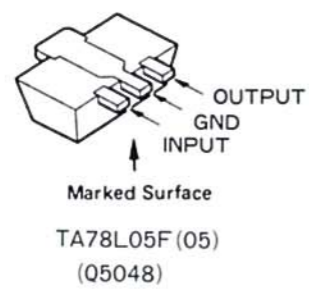
M54563P
(Q5042)
M54564P
(Q5044, Q5045, Q5043)



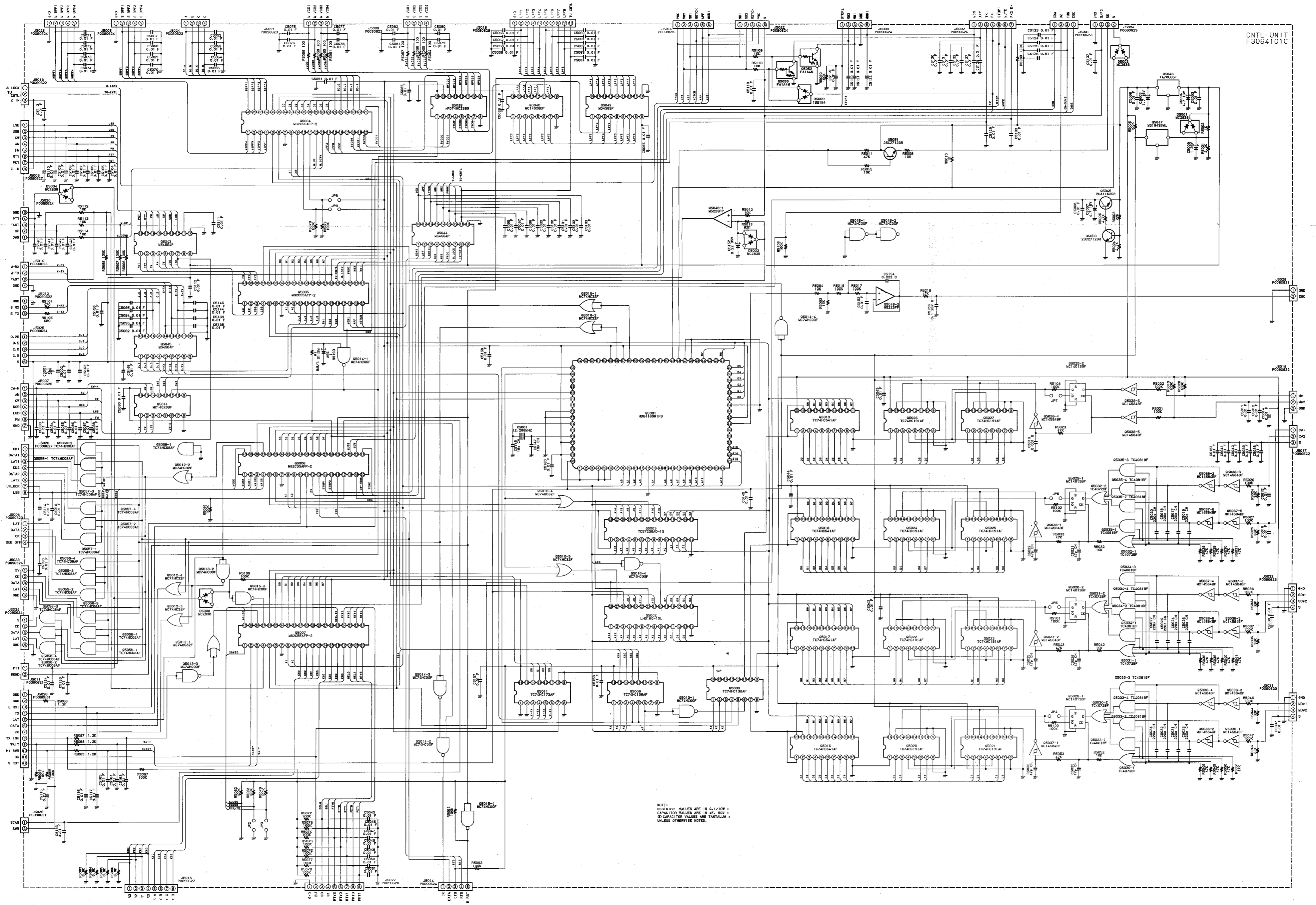
LH5168-10L
(Q5002)
TMS27C256-15JL
(Q5003)



(obverse view of "chip-only" side)



- MC14028BFL (05040, 05041)
- TC74HC173AF (05011)
- TC74HC191AF (05020, 05021, 05022, 05023, 05024, 05025, 05026, 05027)
- TC74HC138F (05008, 05009)
- MC14584BFL (05036, 05037, 05038)
- MC74HC32FL (05010, 05012)
- MC74HC00FL (05013, 05014, 05015)
- TC4072BF (05030, 05031, 05032)
- TC4081BF (05033, 05034, 05035)
- TC74HC08AF (05055, 05056, 05057, 05058)



RX-2 Unit Parts List

REF.	DESCRIPTION	VALUE	WV	TOL.	MFGR'S DESIG	YAESU P/N	VERS.
*** RX2-UNIT ***							
	PCB with Components					CA0003005	DST EXP
	PCB with Components					CA0003006	DST USA
	PCB with Components					CA0003007	DST AUS
	PCB with Components					CA0003008	DST BEL
	Printed Circuit Board					F3063101F	
C 6001	CERAMIC CAP.	18pF	50V	CH	DD104CH180J50	K02175180	
C 6002	CERAMIC CAP.	10pF	50V	CH	DD104CH100D50	K02173100	
C 6003	CERAMIC CAP.	43p	50V	CH	RBU06CH430J-6L36VC	K26171113	
C 6004	CERAMIC CAP.	5pF	50V	CH	DD104CH050C50	K02172050	
C 6005	CERAMIC CAP.	47pF	50V	CH	DD106-979CH470J50	K26170195	
C 6006	CERAMIC CAP.	2pF	50V	CK	DD104CK020C50	K02172020	
C 6007	CERAMIC CAP.	18pF	50V	CH	DD104CH180J50	K02175180	
C 6008	CHIP CAP.	0.01uF	50V	B	GRM40B103M50PT	K22170817	
C 6009	CHIP CAP.	0.01uF	50V	B	GRM40B103M50PT	K22170817	
C 6010	CHIP CAP.	0.047uF	25V	B	GRM42-6B473M25PT	K22141808	
C 6011	AL. ELECTRO. CAP.	1uF	50V		50V010M4X7TR2	K46170030	
C 6012	CHIP CAP.	0.047uF	25V	B	GRM42-6B473M25PT	K22141808	
C 6013	AL. ELECTRO. CAP.	10uF	16V		16V100M4X7TR2	K46120004	
C 6014	CHIP CAP.	33pF	50V	CH	GRM40CH330J50PT	K22170223	
C 6015	CHIP CAP.	22pF	50V	CH	GRM40CH220J50PT	K22170219	
C 6016	CHIP CAP.	5pF	50V	CH	GRM40CH050C50PT	K22170206	
C 6017	CHIP CAP.	0.047uF	25V	B	GRM42-6B473M25PT	K22141808	
C 6018	CHIP CAP.	0.047uF	25V	B	GRM42-6B473M25PT	K22141808	
C 6019	CHIP CAP.	0.01uF	50V	B	GRM40B103M50PT	K22170817	
C 6020	CHIP CAP.	0.01uF	50V	B	GRM40B103M50PT	K22170817	
C 6021	CHIP CAP.	39pF	50V	CH	GRM40CH390J50PT	K22170225	
C 6022	CHIP CAP.	33pF	50V	CH	GRM40CH330J50PT	K22170223	
C 6023	CHIP CAP.	0.01uF	50V	B	GRM40B103M50PT	K22170817	
C 6024	CHIP CAP.	0.01uF	50V	B	GRM40B103M50PT	K22170817	
C 6025	CHIP CAP.	0.047uF	25V	B	GRM42-6B473M25PT	K22141808	
C 6026	CHIP CAP.	27pF	50V	CH	GRM40CH270J50PT	K22170221	
C 6027	CHIP CAP.	82pF	50V	CH	GRM40CH820J50PT	K22170233	
C 6028	CHIP CAP.	7pF	50V	CH	GRM40CH070D50PT	K22170208	
C 6029	CHIP CAP.	0.01uF	50V	B	GRM40B103M50PT	K22170817	
C 6030	CHIP CAP.	0.01uF	50V	B	GRM40B103M50PT	K22170817	
C 6031	AL. ELECTRO. CAP.	10uF	16V		16V100M4X7TR2	K46120004	
C 6032	CHIP CAP.	0.01uF	50V	B	GRM40B103M50PT	K22170817	
C 6033	CHIP CAP.	27pF	50V	CH	GRM40CH270J50PT	K22170221	
C 6034	CHIP CAP.	0.01uF	50V	B	GRM40B103M50PT	K22170817	
C 6035	CHIP CAP.	0.01uF	50V	B	GRM40B103M50PT	K22170817	
C 6036	CHIP CAP.	0.047uF	25V	B	GRM42-6B473M25PT	K22141808	
C 6037	CHIP CAP.	120pF	50V	CH	GRM40CH121J50PT	K22170237	
C 6038	CHIP CAP.	0.1uF	25V	B	GRM42-6B104M25PT	K22141809	
C 6039	CHIP CAP.	0.1uF	25V	B	GRM42-6B104M25PT	K22141809	
C 6040	CHIP CAP.	0.1uF	25V	B	GRM42-6B104M25PT	K22141809	
C 6041	CHIP CAP.	0.01uF	50V	B	GRM40B103M50PT	K22170817	
C 6042	CHIP CAP.	0.1uF	25V	B	GRM42-6B104M25PT	K22141809	
C 6043	CHIP CAP.	0.1uF	25V	B	GRM42-6B104M25PT	K22141809	
C 6044	CHIP CAP.	0.01uF	50V	B	GRM40B103M50PT	K22170817	
C 6045	CHIP CAP.	0.1uF	25V	B	GRM42-6B104M25PT	K22141809	
C 6046	CHIP CAP.	120pF	50V	CH	GRM40CH121J50PT	K22170237	
C 6047	CHIP CAP.	0.1uF	25V	B	GRM42-6B104M25PT	K22141809	
C 6048	CHIP CAP.	0.1uF	25V	B	GRM42-6B104M25PT	K22141809	
C 6049	CHIP CAP.	0.047uF	50V	F	GRM40F473Z50PT	K22171008	
C 6050	CHIP CAP.	0.001uF	50V	B	GRM40B102M50PT	K22170805	
C 6051	CHIP CAP.	0.1uF	25V	B	GRM42-6B104M25PT	K22141809	
C 6052	CHIP CAP.	0.1uF	25V	B	GRM42-6B104M25PT	K22141809	
C 6053	CHIP CAP.	0.01uF	50V	B	GRM40B103M50PT	K22170817	
C 6054	CHIP CAP.	0.001uF	50V	B	GRM40B102M50PT	K22170805	
C 6055	CHIP CAP.	0.1uF	25V	B	GRM42-6B104M25PT	K22141809	
C 6056	CHIP CAP.	0.1uF	25V	B	GRM42-6B104M25PT	K22141809	
C 6057	CHIP CAP.	0.001uF	50V	B	GRM40B102M50PT	K22170805	
C 6058	CHIP CAP.	0.1uF	25V	B	GRM42-6B104M25PT	K22141809	
C 6059	CHIP CAP.	0.1uF	25V	B	GRM42-6B104M25PT	K22141809	
C 6060	CHIP CAP.	100pF	50V	CH	GRM40CH101J50PT	K22170235	
C 6061	CHIP CAP.	270pF	50V	CH	GRM40CH271J50PT	K22170245	
C 6062	AL. ELECTRO. CAP.	0.47uF	50V		50VR47M4X7TR2	K46170029	
C 6063	CHIP CAP.	0.01uF	50V	B	GRM40B103M50PT	K22170817	
C 6064	CHIP CAP.	0.1uF	25V	B	GRM42-6B104M25PT	K22141809	
C 6065	CHIP CAP.	0.01uF	50V	B	GRM40B103M50PT	K22170817	
C 6066	CHIP CAP.	100pF	50V	CH	GRM40CH101J50PT	K22170235	
C 6067	CHIP CAP.	0.001uF	50V	B	GRM40B102M50PT	K22170805	
C 6068	AL. ELECTRO. CAP.	22uF	16V		16V220M5X7TR2	K46120005	
C 6069	CHIP CAP.	0.047uF	25V	B	GRM42-6B473M25PT	K22141808	
C 6070	TANTALUM CAP.	1uF	35V		DN1V010M1S	K70167105	
C 6071	AL. ELECTRO. CAP.	100uF	16V		16V101M6X7TR2	K46120007	
C 6072	CHIP CAP.	0.047uF	25V	B	GRM42-6B473M25PT	K22141808	

RX-2 Unit Parts List

REF.	DESCRIPTION	VALUE	WV	TOL.	MFGR'S DESIG	YAESU P/N	VERS.
C 6073	CHIP CAP.	330pF	50V	CH	GRM40CH331J50PT	K22170247	
C 6074	CHIP CAP.	0.047uF	50V	F	GRM40F473Z50PT	K22171008	
C 6075	AL. ELECTRO. CAP.	10uF	16V		16V100M4X7TR2	K46120004	
C 6076	AL. ELECTRO. CAP.	1uF	50V		50V010M4X7TR2	K46170030	
C 6077	CHIP CAP.	0.01uF	50V	B	GRM40B103M50PT	K22170817	
C 6078	CHIP CAP.	0.1uF	25V	F	GRM40F104Z25PT	K22141005	
C 6079	CHIP CAP.	0.01uF	50V	B	GRM40B103M50PT	K22170817	
C 6080	CHIP CAP.	0.1uF	25V	B	GRM42-6B104M25PT	K22141809	
C 6081	AL. ELECTRO. CAP.	10uF	16V		16V100M4X7TR2	K46120004	
C 6082	AL. ELECTRO. CAP.	1uF	50V		50V010M4X7TR2	K46170030	
C 6083	AL. ELECTRO. CAP.	10uF	16V		16V100M4X7TR2	K46120004	
C 6084	CHIP CAP.	0.022uF	50V	B	GRM40B223M50PT	K22170821	
C 6085	CHIP CAP.	0.022uF	50V	B	GRM40B223M50PT	K22170821	
C 6086	CHIP CAP.	0.001uF	50V	B	GRM40B102M50PT	K22170805	
C 6087	CHIP CAP.	0.001uF	50V	B	GRM40B102M50PT	K22170805	
C 6088	AL. ELECTRO. CAP.	1uF	50V		50V010M4X7TR2	K46170030	
C 6089	AL. ELECTRO. CAP.	1uF	50V		50V010M4X7TR2	K46170030	
C 6090	AL. ELECTRO. CAP.	0.1uF	50V		50VR10M4X7TR2	K46170026	
C 6091	AL. ELECTRO. CAP.	10uF	16V		16V100M4X7TR2	K46120004	
C 6092	AL. ELECTRO. CAP.	1uF	50V		50V010M4X7TR2	K46170030	
C 6093	CHIP CAP.	0.01uF	50V	B	GRM40B103M50PT	K22170817	
C 6094	CHIP CAP.	0.01uF	50V	B	GRM40B103M50PT	K22170817	
C 6095	CHIP CAP.	0.01uF	50V	B	GRM40B103M50PT	K22170817	
C 6096	CHIP CAP.	0.01uF	50V	B	GRM40B103M50PT	K22170817	
C 6097	CHIP CAP.	0.01uF	50V	B	GRM40B103M50PT	K22170817	
C 6098	CHIP CAP.	0.01uF	50V	B	GRM40B103M50PT	K22170817	
C 6099	CHIP CAP.	0.01uF	50V	B	GRM40B103M50PT	K22170817	
C 6100	CHIP CAP.	0.01uF	50V	B	GRM40B103M50PT	K22170817	
C 6101	CHIP CAP.	47pF	50V	CH	GRM40CH470J50PT	K22170227	
C 6103	CHIP CAP.	0.01uF	50V	B	GRM40B103M50PT	K22170817	
C 6104	CHIP CAP.	18pF	50V	CH	GRM40CH180J50PT	K22170217	
C 6105	CHIP CAP.	0.001uF	50V	B	GRM40B102M50PT	K22170805	
C 6106	AL. ELECTRO. CAP.	1uF	50V		50V010M4X7TR2	K46170030	DST AUS
C 6106	AL. ELECTRO. CAP.	4.7uF	35V		35V4R7M4X7TR2	K46160004	DST BEL
C 6106	AL. ELECTRO. CAP.	4.7uF	35V		35V4R7M4X7TR2	K46160004	DST EXP
C 6106	AL. ELECTRO. CAP.	4.7uF	35V		35V4R7M4X7TR2	K46160004	DST USA
C 6107	CHIP CAP.	15pF	50V	CH	GRM40CH150J50PT	K22170215	
C 6109	CHIP CAP.	330pF	50V	CH	GRM40CH331J50PT	K22170247	
C 6110	CHIP CAP.	0.001uF	50V	B	GRM40B102M50PT	K22170805	
C 6111	AL. ELECTRO. CAP.	100uF	16V		16V101M6X7TR2	K46120007	
C 6112	CHIP CAP.	0.1uF	25V	B	GRM42-6B104M25PT	K22141809	
C 6114	CHIP CAP.	0.01uF	50V	B	GRM40B103M50PT	K22170817	
C 6115	CHIP CAP.	0.1uF	25V	B	GRM42-6B104M25PT	K22141809	
C 6116	AL. ELECTRO. CAP.	1uF	50V		50V010M4X7TR2	K46170030	
C 6117	CHIP CAP.	39pF	50V	CH	GRM40CH390J50PT	K22170225	
C 6118	CHIP CAP.	39pF	50V	CH	GRM40CH390J50PT	K22170225	
C 6119	CHIP CAP.	39pF	50V	CH	GRM40CH390J50PT	K22170225	
C 6120	CHIP CAP.	270pF	50V	CH	GRM40CH271J50PT	K22170245	
C 6121	CHIP CAP.	270pF	50V	CH	GRM40CH271J50PT	K22170245	
C 6122	CHIP CAP.	0.01uF	50V	B	GRM40B103M50PT	K22170817	
C 6123	CHIP CAP.	22pF	50V	CH	GRM40CH220J50PT	K22170219	
C 6124	CHIP CAP.	0.01uF	50V	B	GRM40B103M50PT	K22170817	
C 6125	CHIP CAP.	0.01uF	50V	B	GRM40B103M50PT	K22170817	
C 6126	AL. ELECTRO. CAP.	47uF	16V		16V470M6X7TR2	K46120006	
C 6127	CHIP CAP.	27pF	50V	CH	GRM40CH270J50PT	K22170221	
C 6128	CHIP CAP.	0.01uF	50V	B	GRM40B103M50PT	K22170817	
C 6129	CHIP CAP.	0.01uF	50V	B	GRM40B103M50PT	K22170817	
C 6130	CHIP CAP.	0.001uF	50V	B	GRM40B102M50PT	K22170805	
C 6131	CHIP CAP.	27pF	50V	CH	GRM40CH270J50PT	K22170221	
C 6132	CHIP CAP.	15pF	50V	CH	GRM40CH150J50PT	K22170215	
C 6133	CHIP CAP.	0.047uF	25V	B	GRM42-6B473M25PT	K22141808	
C 6134	CHIP CAP.	27pF	50V	CH	GRM40CH270J50PT	K22170221	
C 6135	CHIP CAP.	0.1uF	25V	B	GRM42-6B104M25PT	K22141809	
C 6136	CHIP CAP.	0.022uF	50V	B	GRM40B223M50PT	K22170821	
C 6137	CHIP CAP.	0.022uF	50V	B	GRM40B223M50PT	K22170821	
C 6138	CHIP CAP.	560pF	50V	B	GRM40B561M50PT	K22170802	
C 6139	CHIP CAP.	0.0015	50V	B	GRM40B152M50PT	K22170807	
C 6140	CHIP CAP.	270pF	50V	CH	GRM40CH271J50PT	K22170245	
C 6141	CHIP CAP.	150pF	50V	CH	GRM40CH151J50PT	K22170239	
C 6142	CERAMIC CAP.	270pF	50V	CH	DD112CH271J50	K02179027	
C 6143	CHIP CAP.	150pF	50V	CH	GRM40CH151J50PT	K22170239	
C 6144	CHIP CAP.	22pF	50V	CH	GRM40CH220J50PT	K22170219	
C 6145	CHIP CAP.	10pF	50V	CH	GRM40CH100D50PT	K22170211	
C 6146	CHIP CAP.	0.01uF	50V	B	GRM40B103M50PT	K22170817	
C 6147	CHIP CAP.	0.01uF	50V	B	GRM40B103M50PT	K22170817	
C 6148	CHIP CAP.	0.022uF	50V	B	GRM40B223M50PT	K22170821	
C 6149	CHIP CAP.	39pF	50V	CH	GRM40CH390J50PT	K22170225	
C 6150	CHIP CAP.	2pF	50V	CK	GRM40CK020C50PT	K22170203	
C 6151	CHIP CAP.	0.001uF	50V	B	GRM40B102M50PT	K22170805	
C 6152	CHIP CAP.	0.047uF	25V	B	GRM42-6B473M25PT	K22141808	
C 6153	AL. ELECTRO. CAP.	100uF	16V		16V101M6X7TR2	K46120007	

RX-2 Unit Parts List

REF.	DESCRIPTION	VALUE	WV	TOL.	MFGR'S DESIG	YAESU P/N	VERS.
C 6154	TANTALUM CAP.	0.47uF	35V		DN1VR47M1S	K70167474	
C 6155	CHIP CAP.	0.022uF	50V	B	GRM40B223M50PT	K22170821	
C 6156	CHIP CAP.	270pF	50V	CH	GRM40CH271J50PT	K22170245	
C 6157	CHIP CAP.	470pF	50V	CH	GRM40CH471J50PT	K22170251	
C 6158	CHIP CAP.	0.047uF	25V	B	GRM42-6B473M25PT	K22141808	
C 6159	CHIP CAP.	2pF	50V	CK	GRM40CK020C50PT	K22170203	
C 6160	CHIP CAP.	0.01uF	50V	B	GRM40B103M50PT	K22170817	
C 6161	CHIP CAP.	0.001uF	50V	B	GRM40B102M50PT	K22170805	
C 6162	CHIP CAP.	33pF	50V	CH	GRM40CH330J50PT	K22170223	
C 6163	CHIP CAP.	5pF	50V	CH	GRM40CH050C50PT	K22170206	
C 6164	CHIP CAP.	0.01uF	50V	B	GRM40B103M50PT	K22170817	
C 6165	CHIP CAP.	0.001uF	50V	B	GRM40B102M50PT	K22170805	
C 6166	CHIP CAP.	0.01uF	50V	B	GRM40B103M50PT	K22170817	
C 6167	CHIP CAP.	0.01uF	50V	B	GRM40B103M50PT	K22170817	
C 6168	CHIP CAP.	33pF	50V	CH	GRM40CH330J50PT	K22170223	
C 6169	CHIP CAP.	0.001uF	50V	B	GRM40B102M50PT	K22170805	
C 6170	CHIP CAP.	0.01uF	50V	B	GRM40B103M50PT	K22170817	
C 6171	CHIP CAP.	0.01uF	50V	B	GRM40B103M50PT	K22170817	
C 6174	CHIP CAP.	6pF	50V	CH	GRM40CH060D50PT	K22170207	
C 6175	CHIP CAP.	0.001uF	50V	B	GRM40B102M50PT	K22170805	
C 6176	CERAMIC CAP.	0.001uF	25V	X	UATO4X102K-L05AE	K19149001	
C 6177	CHIP CAP.	0.022uF	50V	B	GRM40B223M50PT	K22170821	
C 6179	CHIP CAP.	47pF	50V	UJ	GRM40UJ470J50PT	K22170327	
C 6180	CHIP CAP.	68pF	50V	UJ	GRM40UJ680J50PT	K22170331	
C 6181	AL. ELECTRO. CAP.	22uF	16V		16V220M5X7TR2	K46120005	
C 6182	CHIP CAP.	0.01uF	50V	B	GRM40B103M50PT	K22170817	
C 6183	CHIP CAP.	0.01uF	50V	B	GRM40B103M50PT	K22170817	
C 6184	CHIP CAP.	3pF	50V	CJ	GRM40CJ030C50PT	K22170204	
C 6185	CHIP CAP.	0.01uF	50V	B	GRM40B103M50PT	K22170817	
C 6186	CHIP CAP.	0.01uF	50V	B	GRM40B103M50PT	K22170817	
C 6187	CHIP CAP.	15pF	50V	CH	GRM40CH150J50PT	K22170215	
C 6188	CHIP CAP.	2pF	50V	CK	GRM40CK020C50PT	K22170203	
C 6189	CHIP CAP.	0.01uF	50V	B	GRM40B103M50PT	K22170817	
C 6190	CHIP CAP.	0.01uF	50V	B	GRM40B103M50PT	K22170817	
C 6191	CHIP CAP.	47pF	50V	CH	GRM40CH470J50PT	K22170227	
C 6192	CHIP CAP.	0.047uF	25V	B	GRM42-6B473M25PT	K22141808	
C 6193	TANTALUM CAP.	10uF	6.3V		DNOJ100M1S	K70087106	
C 6194	CHIP CAP.	0.01uF	50V	B	GRM40B103M50PT	K22170817	
C 6195	AL. ELECTRO. CAP.	100uF	16V		16V101M6X7TR2	K46120007	
C 6196	CHIP CAP.	0.047uF	25V	B	GRM42-6B473M25PT	K22141808	
C 6197	CHIP CAP.	0.01uF	50V	B	GRM40B103M50PT	K22170817	
C 6198	CHIP CAP.	0.01uF	50V	B	GRM40B103M50PT	K22170817	
C 6199	CHIP CAP.	33pF	50V	CH	GRM40CH330J50PT	K22170223	
C 6200	CHIP CAP.	0.047uF	25V	B	GRM42-6B473M25PT	K22141808	
C 6201	CHIP CAP.	0.047uF	25V	B	GRM42-6B473M25PT	K22141808	
C 6202	CHIP CAP.	560pF	50V	B	GRM40B561M50PT	K22170802	
C 6203	CHIP CAP.	560pF	50V	B	GRM40B561M50PT	K22170802	
C 6206	CHIP CAP.	0.047uF	50V	F	GRM40F473Z50PT	K22171008	
C 6207	CHIP CAP.	0.01uF	50V	B	GRM40B103M50PT	K22170817	
C 6208	CHIP CAP.	0.047uF	50V	F	GRM40F473Z50PT	K22171008	
C 6209	CHIP CAP.	0.1uF	25V	B	GRM42-6B104M25PT	K22141809	
C 6210	AL. ELECTRO. CAP.	10uF	16V		16V100M4X7TR2	K46120004	
C 6211	CHIP CAP.	0.1uF	25V	B	GRM42-6B104M25PT	K22141809	
C 6212	AL. ELECTRO. CAP.	100uF	16V		16V101M6X7TR2	K46120007	
C 6213	CHIP CAP.	0.1uF	25V	B	GRM42-6B104M25PT	K22141809	
C 6214	TANTALUM CAP.	0.22uF	35V		DN1VR22M1S	K70167224	
C 6215	CHIP CAP.	0.1uF	25V	B	GRM42-6B104M25PT	K22141809	
C 6216	CHIP CAP.	9pF	50V	UJ	GRM40UJ090D50PT	K22170310	
C 6217	CHIP CAP.	22pF	50V	CH	GRM40CH220J50PT	K22170219	
C 6218	CHIP CAP.	10pF	50V	CH	GRM40CH100D50PT	K22170211	
C 6219	CHIP CAP.	47pF	50V	UJ	GRM40UJ470J50PT	K22170327	
C 6220	CHIP CAP.	22pF	50V	UJ	GRM40UJ220J50PT	K22170319	
C 6221	CHIP CAP.	1pF	50V	CK	GRM40CK010C50PT	K22170202	
C 6222	CHIP CAP.	0.01uF	50V	B	GRM40B103M50PT	K22170817	
C 6223	AL. ELECTRO. CAP.	100uF	16V		16V101M6X7TR2	K46120007	
C 6224	CHIP CAP.	0.01uF	50V	B	GRM40B103M50PT	K22170817	
C 6225	CHIP CAP.	2pF	50V	CK	GRM40CK020C50PT	K22170203	
C 6226	CHIP CAP.	0.01uF	50V	B	GRM40B103M50PT	K22170817	
C 6227	CHIP CAP.	0.01uF	50V	B	GRM40B103M50PT	K22170817	
C 6228	CHIP CAP.	2pF	50V	CK	GRM40CK020C50PT	K22170203	
C 6229	CHIP CAP.	0.01uF	50V	B	GRM40B103M50PT	K22170817	
C 6230	CHIP CAP.	0.01uF	50V	B	GRM40B103M50PT	K22170817	
C 6231	CHIP CAP.	0.01uF	50V	B	GRM40B103M50PT	K22170817	
C 6232	CHIP CAP.	0.1uF	25V	B	GRM42-6B104M25PT	K22141809	
C 6233	CHIP CAP.	0.1uF	25V	B	GRM42-6B104M25PT	K22141809	
C 6234	CHIP CAP.	0.1uF	25V	B	GRM42-6B104M25PT	K22141809	
C 6236	CHIP CAP.	82pF	50V	CH	GRM40CH820J50PT	K22170233	
C 6237	CHIP CAP.	390pF	50V	CH	GRM40CH391J50PT	K22170249	
C 6238	CHIP CAP.	470pF	50V	CH	GRM40CH471J50PT	K22170251	
C 6239	CHIP CAP.	0.01uF	50V	B	GRM40B103M50PT	K22170817	
C 6240	CHIP CAP.	0.047uF	25V	B	GRM42-6B473M25PT	K22141808	

RX-2 Unit Parts List

REF.	DESCRIPTION	VALUE	WV	TOL.	MFGR'S DESIG	YAESU P/N	VERS.
C 6241	CHIP CAP.	0.068uF	16V	R	GRM40R683M16PT	K22120805	
C 6244	CHIP CAP.	0.001uF	50V	B	GRM40B102M50PT	K22170805	
C 6245	CHIP CAP.	0.01uF	50V	B	GRM40B103M50PT	K22170817	
C 6246	CHIP CAP.	0.01uF	50V	B	GRM40B103M50PT	K22170817	
C 6247	CHIP CAP.	0.01uF	50V	B	GRM40B103M50PT	K22170817	
C 6248	CHIP CAP.	0.5pF	50V	CK	GRM40CK0R5C50PT	K22170201	
C 6249	CHIP CAP.	0.01uF	50V	B	GRM40B103M50PT	K22170817	
C 6250	CHIP CAP.	47pF	50V	CH	GRM40CH470J50PT	K22170227	
C 6251	CHIP CAP.	0.01uF	50V	B	GRM40B103M50PT	K22170817	
C 6252	CHIP CAP.	0.01uF	50V	B	GRM40B103M50PT	K22170817	
C 6253	CHIP CAP.	0.001uF	50V	B	GRM40B102M50PT	K22170805	
C 6254	CHIP CAP.	0.001uF	50V	B	GRM40B102M50PT	K22170805	
C 6255	CHIP CAP.	0.001uF	50V	B	GRM40B102M50PT	K22170805	
C 6256	CHIP CAP.	0.001uF	50V	B	GRM40B102M50PT	K22170805	
C 6257	CHIP CAP.	150pF	50V	CH	GRM40CH151J50PT	K22170239	
C 6258	CHIP CAP.	8pF	50V	CH	GRM40CH080D50PT	K22170209	
C 6259	CHIP CAP.	68pF	50V	CH	GRM40CH680J50PT	K22170231	
C 6260	CHIP CAP.	47pF	50V	CH	GRM40CH470J50PT	K22170227	
C 6261	CHIP CAP.	10pF	50V	CH	GRM40CH100D50PT	K22170211	
C 6262	CHIP CAP.	0.01uF	50V	B	GRM40B103M50PT	K22170817	
C 6263	AL. ELECTRO. CAP.	100uF	16V		16V101M6X7TR2	K46120007	
C 6264	CHIP CAP.	39pF	50V	CH	GRM40CH390J50PT	K22170225	
C 6265	CHIP CAP.	4pF	50V	CH	GRM40CH040C50PT	K22170205	
C 6266	CHIP CAP.	68pF	50V	CH	GRM40CH680J50PT	K22170231	
C 6267	CHIP CAP.	27pF	50V	CH	GRM40CH270J50PT	K22170221	
C 6268	CHIP CAP.	10pF	50V	CH	GRM40CH100D50PT	K22170211	
C 6269	CHIP CAP.	0.01uF	50V	B	GRM40B103M50PT	K22170817	
C 6270	AL. ELECTRO. CAP.	100uF	16V		16V101M6X7TR2	K46120007	
C 6271	CHIP CAP.	27pF	50V	CH	GRM40CH270J50PT	K22170221	
C 6272	CHIP CAP.	2pF	50V	CK	GRM40CK020C50PT	K22170203	
C 6273	CHIP CAP.	68pF	50V	CH	GRM40CH680J50PT	K22170231	
C 6274	CHIP CAP.	33pF	50V	CH	GRM40CH330J50PT	K22170223	
C 6275	CHIP CAP.	10pF	50V	CH	GRM40CH100D50PT	K22170211	
C 6276	CHIP CAP.	0.01uF	50V	B	GRM40B103M50PT	K22170817	
C 6277	AL. ELECTRO. CAP.	100uF	16V		16V101M6X7TR2	K46120007	
C 6278	CHIP CAP.	27pF	50V	CH	GRM40CH270J50PT	K22170221	
C 6279	CHIP CAP.	3pF	50V	CJ	GRM40CJ030C50PT	K22170204	
C 6280	CHIP CAP.	68pF	50V	CH	GRM40CH680J50PT	K22170231	
C 6281	CHIP CAP.	27pF	50V	CH	GRM40CH270J50PT	K22170221	
C 6282	CHIP CAP.	10pF	50V	CH	GRM40CH100D50PT	K22170211	
C 6283	CHIP CAP.	0.01uF	50V	B	GRM40B103M50PT	K22170817	
C 6284	AL. ELECTRO. CAP.	100uF	16V		16V101M6X7TR2	K46120007	
C 6285	CHIP CAP.	0.01uF	50V	B	GRM40B103M50PT	K22170817	
C 6286	AL. ELECTRO. CAP.	47uF	16V		16V470M6X7TR2	K46120006	
C 6287	CHIP CAP.	1pF	50V	CK	GRM40CK010C50PT	K22170202	
C 6288	CHIP CAP.	0.01uF	50V	B	GRM40B103M50PT	K22170817	
C 6289	CHIP CAP.	1pF	50V	CK	GRM40CK010C50PT	K22170202	
C 6290	CHIP CAP.	0.01uF	50V	B	GRM40B103M50PT	K22170817	
C 6291	CHIP CAP.	0.001uF	50V	B	GRM40B102M50PT	K22170805	
C 6292	CHIP CAP.	2pF	50V	CK	GRM40CK020C50PT	K22170203	
C 6293	CHIP CAP.	1pF	50V	CK	GRM40CK010C50PT	K22170202	
C 6294	CHIP CAP.	0.047uF	25V	B	GRM42-6B473M25PT	K22141808	
C 6295	CHIP CAP.	0.01uF	50V	B	GRM40B103M50PT	K22170817	
C 6296	CHIP CAP.	0.01uF	50V	B	GRM40B103M50PT	K22170817	
C 6297	CHIP CAP.	0.047uF	25V	B	GRM42-6B473M25PT	K22141808	
C 6298	CERAMIC CAP.	8pF	50V	CH	DD104CH080D50	K02173080	
C 6299	CERAMIC CAP.	3pF	50V	CJ	DD104CJ030C50	K02172030	
C 6300	CERAMIC CAP.	24p	50V	CH	DD104CH240J50	K02179010	
C 6301	CERAMIC CAP.	8pF	50V	CH	DD104CH080D50	K02173080	
C 6302	CERAMIC CAP.	22pF	50V	CH	DD104CH220J50	K02179009	
C 6303	CERAMIC CAP.	9pF	50V	CH	DD104CH090D50	K02173090	
C 6304	CERAMIC CAP.	22pF	50V	CH	DD104CH220J50	K02179009	
C 6305	CERAMIC CAP.	5pF	50V	CH	DD104CH050C50	K02172050	
C 6306	CERAMIC CAP.	27pF	50V	CH	DD105CH270J50	K02175270	
C 6307	CERAMIC CAP.	0.5pF	50V	CK	DD104CK0R5C50	K02172059	
C 6308	CERAMIC CAP.	12pF	50V	CH	DD104CH120J50	K02175120	
C 6309	CHIP CAP.	0.01uF	50V	B	GRM40B103M50PT	K22170817	
C 6311	CHIP CAP.	0.047uF	25V	B	GRM42-6B473M25PT	K22141808	
C 6312	CHIP CAP.	0.01uF	50V	B	GRM40B103M50PT	K22170817	
C 6313	AL. ELECTRO. CAP.	22uF	16V		16V220M5X7TR2	K46120005	
C 6314	CHIP CAP.	0.022uF	50V	B	GRM40B223M50PT	K22170821	
C 6315	CHIP CAP.	0.01uF	50V	B	GRM40B103M50PT	K22170817	
C 6316	CHIP CAP.	0.01uF	50V	B	GRM40B103M50PT	K22170817	
C 6317	CHIP CAP.	0.01uF	50V	B	GRM40B103M50PT	K22170817	
C 6318	CHIP CAP.	0.01uF	50V	B	GRM40B103M50PT	K22170817	
C 6319	AL. ELECTRO. CAP.	100uF	16V		16V101M6X7TR2	K46120007	
C 6320	TANTALUM CAP.	0.33uF	35V		DN1VR33M1S	K70167334	
C 6321	CHIP CAP.	0.047uF	50V	F	GRM40F473Z50PT	K22171008	
C 6322	CERAMIC CAP.	0.01uF	25V	X	UAT05X103K-L05AE	K19149013	
C 6324	CHIP CAP.	5pF	50V	CH	GRM40CH050C50PT	K22170206	
C 6325	CHIP CAP.	0.01uF	50V	B	GRM40B103M50PT	K22170817	

RX-2 Unit Parts List

REF.	DESCRIPTION	VALUE	WV	TOL.	MFGR'S DESIG	YAESU P/N	VERS.
C 6326	CHIP CAP.	0.001uF	50V	B	GRM40B102M50PT	K22170805	
C 6327	CHIP CAP.	0.01uF	50V	B	GRM40B103M50PT	K22170817	
C 6328	CHIP CAP.	0.001uF	50V	B	GRM40B102M50PT	K22170805	
C 6329	CHIP CAP.	0.01uF	50V	B	GRM40B103M50PT	K22170817	
C 6330	CHIP CAP.	0.01uF	50V	B	GRM40B103M50PT	K22170817	
C 6331	AL. ELECTRO. CAP.	10uF	16V		16V100M4X7TR2	K46120004	
C 6332	CHIP CAP.	0.01uF	50V	B	GRM40B103M50PT	K22170817	
C 6333	CHIP CAP.	68pF	50V	CH	GRM40CH680J50PT	K22170231	
C 6334	CERAMIC CAP.	100pF	50V	CH	DD107CH101J50	K02175101	
C 6335	CHIP CAP.	22pF	50V	CH	GRM40CH220J50PT	K22170219	
C 6336	CERAMIC CAP.	39pF	50V	CH	DD105-257CH390J50	K02175390	
C 6337	CHIP CAP.	8pF	50V	CH	GRM40CH080D50PT	K22170209	
C 6338	CHIP CAP.	0.01uF	50V	B	GRM40B103M50PT	K22170817	
C 6339	CHIP CAP.	0.01uF	50V	B	GRM40B103M50PT	K22170817	
C 6340	AL. ELECTRO. CAP.	1uF	50V		50V010M4X7TR2	K46170030	
C 6341	TANTALUM CAP.	0.1uF	35V		DN1V0R1M1S	K70167104	
C 6342	AL. ELECTRO. CAP.	100uF	16V		16V101M6X7TR2	K46120007	
C 6343	CHIP CAP.	0.047uF	25V	B	GRM42-6B473M25PT	K22141808	
C 6346	AL. ELECTRO. CAP.	10uF	16V		16V100M4X7TR2	K46120004	
C 6347	CHIP CAP.	0.022uF	50V	B	GRM40B223M50PT	K22170821	
C 6348	CHIP CAP.	0.1uF	25V	B	GRM42-6B104M25PT	K22141809	
C 6349	AL. ELECTRO. CAP.	10uF	16V		16V100M4X7TR2	K46120004	
C 6350	CHIP CAP.	0.01uF	50V	B	GRM40B103M50PT	K22170817	
C 6354	CHIP CAP.	0.01uF	50V	B	GRM40B103M50PT	K22170817	
C 6355	CHIP CAP.	0.001uF	50V	B	GRM40B102M50PT	K22170805	
C 6356	CHIP CAP.	22pF	50V	UJ	GRM40UJ220J50PT	K22170319	
C 6357	CHIP CAP.	47pF	50V	UJ	GRM40UJ470J50PT	K22170327	
C 6358	CHIP CAP.	0.1uF	25V	B	GRM42-6B104M25PT	K22141809	
C 6359	CHIP CAP.	0.1uF	25V	B	GRM42-6B104M25PT	K22141809	
C 6360	CHIP CAP.	120pF	50V	CH	GRM40CH121J50PT	K22170237	
C 6361	CHIP CAP.	120pF	50V	CH	GRM40CH121J50PT	K22170237	
C 6362	CHIP CAP.	100pF	50V	CH	GRM40CH101J50PT	K22170235	
C 6363	CHIP CAP.	0.001uF	50V	B	GRM40B102M50PT	K22170805	
C 6364	CHIP CAP.	0.047uF	25V	B	GRM42-6B473M25PT	K22141808	
C 6365	CHIP CAP.	0.1uF	25V	B	GRM42-6B104M25PT	K22141809	
C 6366	AL. ELECTRO. CAP.	1uF	50V		50V010M4X7TR2	K46170030	
C 6367	CHIP CAP.	0.1uF	25V	B	GRM42-6B104M25PT	K22141809	
C 6368	AL. ELECTRO. CAP.	1uF	50V		50V010M4X7TR2	K46170030	
C 6369	AL. ELECTRO. CAP.	1uF	50V		50V010M4X7TR2	K46170030	
C 6370	AL. ELECTRO. CAP.	1uF	50V		50V010M4X7TR2	K46170030	
C 6371	CHIP CAP.	0.01uF	50V	B	GRM40B103M50PT	K22170817	
C 6372	CHIP CAP.	0.001uF	50V	B	GRM40B102M50PT	K22170805	
C 6373	CHIP CAP.	0.1uF	25V	B	GRM42-6B104M25PT	K22141809	
C 6374	CHIP CAP.	0.022uF	50V	B	GRM40B223M50PT	K22170821	
C 6375	CHIP CAP.	0.01uF	50V	B	GRM40B103M50PT	K22170817	
C 6376	CHIP CAP.	22pF	50V	CH	GRM40CH220J50PT	K22170219	
C 6377	CHIP CAP.	22pF	50V	CH	GRM40CH220J50PT	K22170219	
C 6378	CHIP CAP.	100pF	50V	CH	GRM40CH101J50PT	K22170235	
C 6379	CHIP CAP.	10pF	50V	CH	GRM40CH100D50PT	K22170211	
C 6380	CHIP CAP.	0.1uF	25V	B	GRM42-6B104M25PT	K22141809	
C 6381	CHIP CAP.	0.01uF	50V	B	GRM40B103M50PT	K22170817	
C 6382	CHIP CAP.	0.001uF	50V	B	GRM40B102M50PT	K22170805	
C 6383	CHIP CAP.	33pF	50V	CH	GRM40CH330J50PT	K22170223	
C 6384	CHIP CAP.	33pF	50V	CH	GRM40CH330J50PT	K22170223	
C 6385	CHIP CAP.	27pF	50V	CH	GRM40CH270J50PT	K22170221	
C 6386	CHIP CAP.	0.022uF	50V	B	GRM40B223M50PT	K22170821	
C 6387	CHIP CAP.	0.001uF	50V	B	GRM40B102M50PT	K22170805	
C 6388	CHIP CAP.	4pF	50V	CH	GRM40CH040C50PT	K22170205	
C 6389	CHIP CAP.	4pF	50V	CH	GRM40CH040C50PT	K22170205	
C 6390	CHIP CAP.	62p	50V	CH	GRM40CH620J50PT	K22170230	
C 6391	CHIP CAP.	62p	50V	CH	GRM40CH620J50PT	K22170230	
C 6392	CHIP CAP.	62p	50V	CH	GRM40CH620J50PT	K22170230	
C 6393	CHIP CAP.	62p	50V	CH	GRM40CH620J50PT	K22170230	
C 6394	CHIP CAP.	0.022uF	50V	B	GRM40B223M50PT	K22170821	
C 6395	CHIP CAP.	0.01uF	50V	B	GRM40B103M50PT	K22170817	
C 6396	CHIP CAP.	0.01uF	50V	B	GRM40B103M50PT	K22170817	
C 6397	CHIP CAP.	0.01uF	50V	B	GRM40B103M50PT	K22170817	
C 6398	CHIP CAP.	0.01uF	50V	B	GRM40B103M50PT	K22170817	
C 6399	CHIP CAP.	9pF	50V	CH	GRM40CH090D50PT	K22170210	
C 6400	CHIP CAP.	100pF	50V	CH	GRM40CH101J50PT	K22170235	
C 6401	TANTALUM CAP.	2.2uF	16V		DN1C2R2M1S	K70127225	
C 6402	CHIP CAP.	0.0068uF	50V	B	GRM40B682M50PT	K22170815	
C 6403	CHIP CAP.	0.001uF	50V	B	GRM40B102M50PT	K22170805	
C 6404	AL. ELECTRO. CAP.	10uF	16V		16V100M4X7TR2	K46120004	
C 6405	CHIP CAP.	0.047uF	50V	F	GRM40F473Z50PT	K22171008	
CD6001	CERAMIC DISC				CDB455C7	H7900180	
CF6001	CERAMIC FILTER				CFWS455HT	H3900508	
CF6002	CERAMIC FILTER				CFJ455K15	H3900398	
CF6003	CERAMIC FILTER				LF-H8S	H3900387	

RX-2 Unit Parts List

REF.	DESCRIPTION	VALUE	WV	TOL.	MFGR'S DESIG	YAESU P/N	VERS.
D 6002	DIODE				1S1588	G2015880	
D 6003	DIODE				1S1588	G2015880	
D 6004	DIODE				1S1588	G2015880	
D 6005	DIODE				1SS81	G2090338	
D 6006	DIODE				1SS81	G2090338	
D 6007	DIODE				1SS81	G2090338	
D 6008	DIODE				1SS81	G2090338	
D 6009	DIODE				1SS81	G2090338	
D 6010	DIODE				1SS81	G2090338	
D 6013	DIODE				1SS106	G2090244	
D 6014	DIODE				1SS106	G2090244	
D 6015	DIODE				1SS270TJ	G2060004	
D 6016	DIODE				1SS270TJ	G2060004	
D 6017	DIODE				1SS270TJ	G2060004	
D 6018	DIODE				1SS270TJ	G2060004	
D 6019	DIODE				1SS106	G2090244	
D 6020	DIODE				1SS106	G2090244	
D 6021	DIODE				1SS106	G2090244	
D 6022	DIODE				1SS106	G2090244	
D 6023	DIODE				1SS270TJ	G2060004	
D 6024	DIODE				1SS270TJ	G2060004	
D 6025	DIODE				1SS270TJ	G2060004	
D 6026	DIODE				1SS270TJ	G2060004	
D 6027	DIODE				1SS270TJ	G2060004	
D 6028	DIODE				1SS270TJ	G2060004	
D 6029	DIODE				1SS270TJ	G2060004	
D 6030	DIODE				1SS270TJ	G2060004	
D 6031	DIODE				1SS270TJ	G2060004	
D 6032	DIODE				1SS270TJ	G2060004	
D 6033	DIODE				1SS270TJ	G2060004	
D 6034	DIODE				MA338	G2070580	
D 6035	DIODE				FC-52M-5	G2090165	
D 6036	DIODE				1SV50	G2090023	
D 6037	DIODE				1SV50	G2090023	
D 6038	DIODE				FC-52M-5	G2090165	
D 6039	DIODE				FC-52M-5	G2090165	
D 6040	DIODE				1SS53T1	G2060002	
D 6041	DIODE				FC-52M-5	G2090165	
D 6042	DIODE				1SS53T1	G2060002	
D 6043	DIODE				FC-52M-5	G2090165	
D 6044	DIODE				1SS53T1	G2060002	
D 6045	DIODE				FC-52M-5	G2090165	
D 6046	DIODE				1SS53T1	G2060002	
D 6047	DIODE				1SS270TJ	G2060004	
D 6048	DIODE				1SS270TJ	G2060004	
D 6049	DIODE				1SS270TJ	G2060004	
D 6050	DIODE				1SS270TJ	G2060004	
D 6051	DIODE				1SS270TJ	G2060004	
D 6052	DIODE				1SS270TJ	G2060004	
D 6053	DIODE				1SS270TJ	G2060004	
D 6054	DIODE				1SS270TJ	G2060004	
D 6055	DIODE				1SS270TJ	G2060004	
D 6056	DIODE				1SS270TJ	G2060004	
D 6057	DIODE				1SS270TJ	G2060004	
D 6058	DIODE				1SS270TJ	G2060004	
D 6059	DIODE				1SS270TJ	G2060004	
D 6060	DIODE				1SS270TJ	G2060004	
D 6061	DIODE				1SS270TJ	G2060004	
D 6062	DIODE				HZ7C1	G2090405	
D 6063	DIODE				1SS270TJ	G2060004	
D 6064	DIODE				1SS270TJ	G2060004	
D 6066	DIODE				1SS270TJ	G2060004	
D 6067	DIODE				1SS270TJ	G2060004	
D 6068	DIODE				1SS270TJ	G2060004	
D 6069	DIODE				1SS270TJ	G2060004	
D 6070	DIODE				1SS184 TE85R	G2070009	
D 6071	DIODE				1SS270TJ	G2060004	
D 6072	DIODE				1SS270TJ	G2060004	
D 6073	DIODE				1SS270TJ	G2060004	
D 6074	DIODE				HZ6C2L	G2090225	
D 6075	DIODE				1SS270TJ	G2060004	
D 6076	DIODE				1SS270TJ	G2060004	
D 6077	DIODE				1SS270TJ	G2060004	
D 6078	DIODE				1SS106	G2090244	
D 6079	DIODE				1SS270	G2090408	
D 6080	DIODE				1SS270	G2090408	
J 6001	CONNECTOR				TMP-J01X-A2	P1090255	
J 6002	CONNECTOR				SC25-04WS	P0090623	
J 6003	CONNECTOR				SC25-04WS	P0090623	
J 6004	CONNECTOR				SC25-02WS	P0090621	

RX-2 Unit Parts List

REF.	DESCRIPTION	VALUE	WV	TOL.	MFGR'S DESIG	YAESU P/N	VERS.
J 6005	CONNECTOR				SC25-02WS	P0090621	
J 6006	CONNECTOR				SC25-02WS	P0090621	
J 6007	CONNECTOR				SC25-07WS	P0090626	
J 6008	CONNECTOR				SC25-06WS	P0090625	
J 6009	CONNECTOR				SC25-02WS	P0090621	
J 6010	CONNECTOR				SC25-05WS	P0090624	
L 6001	COIL	1uH			1U T25-6	L0021934	
L 6002	COIL	1.37u			1.37U T25-6	L0021935	
L 6003	COIL	1.37u			1.37U T25-6	L0021935	
L 6004	M. RFC	1mH			LAL03VB102K	L1790164	
L 6005	M. RFC	1mH			LAL03VB102K	L1790164	
L 6006	M. RFC	1mH			LAL03VB102K	L1790164	
L 6007	M. RFC	1mH			LAL03VB102K	L1790164	
L 6008	M. RFC	1mH			LAL03VB102K	L1790164	
L 6009	M. RFC	1mH			LAL03VB102K	L1790164	
L 6010	M. RFC	15uH			LAP02TA150K	L1790060	
L 6011	M. RFC	150uH			LAP02TA151K	L1790072	
L 6012	M. RFC	0.82uH			LAP02TAR82K	L1790045	
L 6013	M. RFC	0.82uH			LAP02TAR82K	L1790045	
L 6014	M. RFC	0.82uH			LAP02TAR82K	L1790045	
L 6015	M. RFC	0.82uH			LAP02TAR82K	L1790045	
L 6016	M. RFC	100uH			LAP02TA101K	L1790070	
L 6017	M. RFC	18uH			LAP02TA180K	L1790061	
L 6018	M. RFC	18uH			LAP02TA180K	L1790061	
L 6019	COIL				1.00U R12-1377X	L0021267	
L 6020	M. RFC	1uH			LAP02TA1R0K	L1790046	
L 6021	M. RFC	100uH			LAP02TA101K	L1790070	
L 6022	M. RFC	100uH			LAP02TA101K	L1790070	
L 6023	M. RFC	22uH			LAP02TA220K	L1790062	
L 6024	M. RFC	22uH			LAP02TA220K	L1790062	
L 6025	M. RFC	2.7u			LAP02TA2R7K	L1790051	
L 6029	COIL				S18	L0190025	
L 6030	M. RFC	3.3uH			LAP02TA3R3K	L1790052	
L 6031	M. RFC	33uH			LAP02TA330K	L1790064	
L 6032	M. RFC	56uH			LAP02TA560K	L1790067	
L 6033	M. RFC	4.7uH			LAP02TA4R7K	L1790054	
L 6034	COIL				S18 M85T	L0190161	
L 6035	M. RFC	5.6uH			LAP02TA5R6K	L1790055	
L 6036	M. RFC	4.7uH			LAP02TA4R7K	L1790054	
L 6037	COIL				S18 M75T	L0190162	
L 6038	M. RFC	4.7uH			LAP02TA4R7K	L1790054	
L 6039	M. RFC	4.7uH			LAP02TA4R7K	L1790054	
L 6040	COIL				S18 M65T	L0190163	
L 6041	M. RFC	3.9uH			LAP02TA3R9K	L1790053	
L 6042	M. RFC	4.7uH			LAP02TA4R7K	L1790054	
L 6043	COIL				S18 M55T	L0190164	
L 6044	M. RFC	3.3uH			LAP02TA3R3K	L1790052	
L 6045	M. RFC	100uH			LAP02TA101K	L1790070	
L 6046	M. RFC	0.82uH			LAP02TAR82K	L1790045	
L 6047	COIL					L0021553	
L 6048	COIL				0.82U	L0021554	
L 6049	COIL				0.82U	L0021554	
L 6050	COIL					L0021553	
L 6051	COIL				1.20U	L0021555	
L 6052	M. RFC	10uH			LAP02TA100K	L1790058	
L 6054	COIL				6.5T3. ODO. 4UEW R	L0020951	
L 6055	COIL				5.5T3. ODO. 5UEW R	L0020340A	
L 6056	COIL	0.26u			0.260U T25-10	L0021085	
L 6057	COIL	0.17u			0.170U T25-10	L0020824	
L 6058	M. RFC	100uH			LAP02TA101K	L1790070	
L 6059	M. RFC	0.39uH			LAP02TAR39K	L1790041	
L 6060	M. RFC	2.7u			LAP02TA2R7K	L1790051	
L 6061	M. RFC	0.22uH			LAP02TAR22K	L1790038	
L 6062	M. RFC	0.68uH			LAP02TAR68K	L1790044	
L 6063	M. RFC	0.68uH			LAP02TAR68K	L1790044	
Q 6001	FET				J310	G3090105	
Q 6002	FET				J310	G3090105	
Q 6003	FET				3SK74L	G4800740L	
Q 6004	FET				2SK507E	G3805070E	
Q 6005	FET				2SK507E	G3805070E	
Q 6006	FET				2SK507E	G3805070E	
Q 6007	FET				2SK507E	G3805070E	
Q 6008	FET				3SK74L	G4800740L	
Q 6009	FET				3SK74L	G4800740L	
Q 6010	TRANSISTOR				2SC2620QBTR	G3326207B	
Q 6011	TRANSISTOR				2SC2712GR TE85R	G3327127G	
Q 6012	TRANSISTOR				2SC2712GR TE85R	G3327127G	
Q 6013	IC				UPD4066BG	G1090602	
Q 6014	TRANSISTOR				2SC2712GR TE85R	G3327127G	

RX-2 Unit Parts List

REF.	DESCRIPTION	VALUE	WV	TOL.	MFGR'S DESIG	YAESU P/N	VERS.
Q 6015	IC				UPC1037H	G1090101	
Q 6016	IC				NJM2904M	G1090589	
Q 6017	TRANSISTOR				2SC2712GR TE85R	G3327127G	
Q 6018	FET				3SK74L	G4800740L	
Q 6019	FET				3SK74L	G4800740L	
Q 6020	TRANSISTOR				2SC2619FBTR	G3326197B	
Q 6021	TRANSISTOR				2SC2712GR TE85R	G3327127G	
Q 6022	TRANSISTOR				2SC2712GR TE85R	G3327127G	
Q 6023	TRANSISTOR				2SA1162GR TE85R	G3111627G	
Q 6024	TRANSISTOR				2SC2712GR TE85R	G3327127G	
Q 6025	TRANSISTOR				2SA1162GR TE85R	G3111627G	
Q 6028	TRANSISTOR				2SC2712GR TE85R	G3327127G	
Q 6029	IC				NJM2902M-TE1	G1093092	
Q 6030	TRANSISTOR				2SC2712GR TE85R	G3327127G	
Q 6031	TRANSISTOR				2SC2620QBTR	G3326207B	
Q 6032	TRANSISTOR				2SC2619FBTR	G3326197B	
Q 6033	TRANSISTOR				2SC2619FBTR	G3326197B	
Q 6034	IC				UPC1037H	G1090101	
Q 6035	TRANSISTOR				2SC2712GR TE85R	G3327127G	
Q 6036	TRANSISTOR				2SC2712GR TE85R	G3327127G	
Q 6037	TRANSISTOR				2SC2712GR TE85R	G3327127G	
Q 6038	IC				MC145163SL	G1090739	
Q 6039	TRANSISTOR				2SC2620QBTR	G3326207B	
Q 6040	TRANSISTOR				2SC2619FBTR	G3326197B	
Q 6041	TRANSISTOR				2SC2619FBTR	G3326197B	
Q 6042	TRANSISTOR				2SC2619FBTR	G3326197B	
Q 6043	TRANSISTOR				2SC2619FBTR	G3326197B	
Q 6044	TRANSISTOR				2SC2619FBTR	G3326197B	
Q 6045	TRANSISTOR				2SC2620QBTR	G3326207B	
Q 6046	TRANSISTOR				2SC2619FBTR	G3326197B	
Q 6047	IC				UPB555C	G1090470	
Q 6048	TRANSISTOR				2SC2712GR TE85R	G3327127G	
Q 6049	IC				MC145163SL	G1090739	
Q 6050	TRANSISTOR				2SC2619FBTR	G3326197B	
Q 6051	TRANSISTOR				2SC2712GR TE85R	G3327127G	
Q 6052	IC				TC4S584F TE85R	G1090974	
Q 6053	IC				MC14013BCP	G1090067	
Q 6054	IC				TC5081AP	G1090473	
Q 6055	FET				2SK192A-BL	G3801921B	
Q 6056	FET				2SK302Y TE85R	G3803027Y	
Q 6057	TRANSISTOR				2SC2620QBTR	G3326207B	
Q 6058	TRANSISTOR				2SC2620QBTR	G3326207B	
Q 6059	IC				UPC1037H	G1090101	
Q 6060	TRANSISTOR				2SC2712GR TE85R	G3327127G	
Q 6061	IC				TC4S584F TE85R	G1090974	
Q 6062	TRANSISTOR				2SC2712GR TE85R	G3327127G	
Q 6063	TRANSISTOR				2SC2619FBTR	G3326197B	
Q 6064	TRANSISTOR				2SC2619FBTR	G3326197B	
Q 6065	FET				2SK192A-BL	G3801921B	
Q 6066	FET				2SK192A-BL	G3801921B	
Q 6067	FET				2SK192A-BL	G3801921B	
Q 6068	FET				2SK192A-BL	G3801921B	
Q 6069	FET				2SK302GR TE85R	G3803027G	
Q 6070	FET				2SK302Y TE85R	G3803027Y	
Q 6071	IC				UPC1037H	G1090101	
Q 6072	TRANSISTOR				2SC2620QBTR	G3326207B	
Q 6073	IC				CX-7925B	G1090834	
Q 6074	FET				2SK208Y TE85R	G3802087Y	
Q 6075	TRANSISTOR				2SC2712GR TE85R	G3327127G	
Q 6076	TRANSISTOR				2SC2712GR TE85R	G3327127G	
Q 6077	TRANSISTOR				2SC2714YTE85R	G3327147Y	
Q 6078	TRANSISTOR				2SC2714YTE85R	G3327147Y	
Q 6079	TRANSISTOR				2SC3355	G3333550	
Q 6080	TRANSISTOR				UN2211	G3070205	
Q 6081	TRANSISTOR				UN2211	G3070205	
Q 6082	TRANSISTOR				UN2211	G3070205	
Q 6083	TRANSISTOR				UN2211	G3070205	
Q 6084	TRANSISTOR				UN2211	G3070205	
Q 6087	IC				UPC78L05J	G1090848	
Q 6088	TRANSISTOR				UN2211	G3070205	
Q 6089	TRANSISTOR				DTA143EK T146	G3070010	
Q 6091	TRANSISTOR				UN2211	G3070205	
Q 6092	TRANSISTOR				FN1A4M-T2B	G3070005	
Q 6093	TRANSISTOR				FN1A4M-T2B	G3070005	
Q 6094	TRANSISTOR				FN1A4M-T2B	G3070005	
Q 6095	TRANSISTOR				UN2211	G3070205	
Q 6096	TRANSISTOR				UN2211	G3070205	
Q 6097	TRANSISTOR				UN2211	G3070205	
Q 6098	TRANSISTOR				UN2211	G3070205	
Q 6099	TRANSISTOR				UN2211	G3070205	
Q 6100	TRANSISTOR				UN2211	G3070205	

RX-2 Unit Parts List

REF.	DESCRIPTION	VALUE	WV	TOL.	MFGR'S DESIG	YAESU P/N	VERS.
Q 6101	TRANSISTOR				2SC2619FBTR	G3326197B	
Q 6102	IC				TK10487MT1	G1090957	
Q 6103	IC				NJM2904M	G1090589	
Q 6105	TRANSISTOR				UN2211	G3070205	
Q 6106	TRANSISTOR				FMC3 T99	G3070046	
Q 6107	TRANSISTOR				UN2211	G3070205	
Q 6108	IC				TC4S81F TE85R	G1090895	
Q 6109	TRANSISTOR				UN2211	G3070205	
Q 6110	TRANSISTOR				FA1A4P-T2B	G3070006	
Q 6111	TRANSISTOR				BA1A4P	G3090079	
R 6001	CHIP RES.	470	1/10W	5%	RMC1/10T 471J	J24205471	
R 6002	CHIP RES.	470	1/10W	5%	RMC1/10T 471J	J24205471	
R 6003	CHIP RES.	10	1/10W	5%	RMC1/10T 100J	J24205100	
R 6004	CHIP RES.	10	1/10W	5%	RMC1/10T 100J	J24205100	
R 6005	CHIP RES.	100K	1/10W	5%	RMC1/10T 104J	J24205104	
R 6006	CHIP RES.	18K	1/10W	5%	RMC1/10T 183J	J24205183	
R 6007	CHIP RES.	470K	1/10W	5%	RMC1/10T 474J	J24205474	
R 6009	CHIP RES.	220	1/10W	5%	RMC1/10T 221J	J24205221	
R 6010	CHIP RES.	100	1/10W	5%	RMC1/10T 101J	J24205101	
R 6011	CHIP RES.	0	1/10W	5%	RMC1/10T 000J	J24205000	
R 6012	CHIP RES.	10K	1/10W	5%	RMC1/10T 103J	J24205103	
R 6013	CHIP RES.	470	1/10W	5%	RMC1/10T 471J	J24205471	
R 6014	CHIP RES.	470	1/10W	5%	RMC1/10T 471J	J24205471	
R 6015	CHIP RES.	47	1/10W	5%	RMC1/10T 470J	J24205470	
R 6016	CHIP RES.	4.7K	1/10W	5%	RMC1/10T 472J	J24205472	
R 6017	CHIP RES.	6.8K	1/10W	5%	RMC1/10T 682J	J24205682	
R 6018	CHIP RES.	3.3K	1/10W	5%	RMC1/10T 332J	J24205332	
R 6019	CHIP RES.	4.7K	1/10W	5%	RMC1/10T 472J	J24205472	
R 6020	CHIP RES.	470	1/10W	5%	RMC1/10T 471J	J24205471	
R 6021	CHIP RES.	470	1/10W	5%	RMC1/10T 471J	J24205471	
R 6022	CHIP RES.	68	1/10W	5%	RMC1/10T 680J	J24205680	
R 6023	CHIP RES.	1.5K	1/10W	5%	RMC1/10T 152J	J24205152	
R 6024	CHIP RES.	33K	1/10W	5%	RMC1/10T 333J	J24205333	
R 6025	CHIP RES.	1K	1/10W	5%	RMC1/10T 102J	J24205102	
R 6026	CHIP RES.	220	1/10W	5%	RMC1/10T 221J	J24205221	
R 6027	CHIP RES.	1K	1/10W	5%	RMC1/10T 102J	J24205102	
R 6028	CHIP RES.	1K	1/10W	5%	RMC1/10T 102J	J24205102	
R 6029	CHIP RES.	82K	1/10W	5%	RMC1/10T 823J	J24205823	
R 6030	CHIP RES.	12K	1/10W	5%	RMC1/10T 123J	J24205123	
R 6031	CHIP RES.	100	1/10W	5%	RMC1/10T 101J	J24205101	
R 6033	CHIP RES.	100	1/10W	5%	RMC1/10T 101J	J24205101	
R 6034	CHIP RES.	100	1/10W	5%	RMC1/10T 101J	J24205101	
R 6035	CHIP RES.	100K	1/10W	5%	RMC1/10T 104J	J24205104	
R 6036	CHIP RES.	15K	1/10W	5%	RMC1/10T 153J	J24205153	
R 6037	CHIP RES.	100	1/10W	5%	RMC1/10T 101J	J24205101	
R 6038	CHIP RES.	100	1/10W	5%	RMC1/10T 101J	J24205101	
R 6039	CHIP RES.	150	1/10W	5%	RMC1/10T 151J	J24205151	
R 6040	CHIP RES.	100	1/10W	5%	RMC1/10T 101J	J24205101	
R 6041	CHIP RES.	22K	1/10W	5%	RMC1/10T 223J	J24205223	
R 6042	CHIP RES.	6.8K	1/10W	5%	RMC1/10T 682J	J24205682	
R 6043	CHIP RES.	2.2K	1/10W	5%	RMC1/10T 222J	J24205222	
R 6044	CHIP RES.	220	1/10W	5%	RMC1/10T 221J	J24205221	
R 6045	CHIP RES.	6.8K	1/10W	5%	RMC1/10T 682J	J24205682	
R 6046	CHIP RES.	150K	1/10W	5%	RMC1/10T 154J	J24205154	
R 6047	CHIP RES.	1K	1/10W	5%	RMC1/10T 102J	J24205102	
R 6048	CHIP RES.	100	1/10W	5%	RMC1/10T 101J	J24205101	
R 6049	CHIP RES.	47K	1/10W	5%	RMC1/10T 473J	J24205473	
R 6050	CHIP RES.	100	1/10W	5%	RMC1/10T 101J	J24205101	
R 6051	CHIP RES.	2.2M	1/10W	5%	RMC1/10T 225J	J24205225	
R 6052	CHIP RES.	10K	1/10W	5%	RMC1/10T 103J	J24205103	
R 6053	CHIP RES.	10K	1/10W	5%	RMC1/10T 103J	J24205103	
R 6054	CHIP RES.	10K	1/10W	5%	RMC1/10T 103J	J24205103	
R 6055	CHIP RES.	10K	1/10W	5%	RMC1/10T 103J	J24205103	
R 6056	CHIP RES.	330K	1/10W	5%	RMC1/10T 334J	J24205334	
R 6057	CHIP RES.	150	1/10W	5%	RMC1/10T 151J	J24205151	
R 6058	CHIP RES.	100	1/10W	5%	RMC1/10T 101J	J24205101	
R 6059	CHIP RES.	3.3K	1/10W	5%	RMC1/10T 332J	J24205332	
R 6060	CHIP RES.	150	1/10W	5%	RMC1/10T 151J	J24205151	
R 6061	CHIP RES.	4.7K	1/10W	5%	RMC1/10T 472J	J24205472	
R 6062	CHIP RES.	100K	1/10W	5%	RMC1/10T 104J	J24205104	
R 6063	CHIP RES.	22K	1/10W	5%	RMC1/10T 223J	J24205223	
R 6064	CHIP RES.	10K	1/10W	5%	RMC1/10T 103J	J24205103	
R 6065	CHIP RES.	10K	1/10W	5%	RMC1/10T 103J	J24205103	
R 6066	CHIP RES.	4.7K	1/10W	5%	RMC1/10T 472J	J24205472	
R 6067	CHIP RES.	15K	1/10W	5%	RMC1/10T 153J	J24205153	
R 6068	CHIP RES.	33K	1/10W	5%	RMC1/10T 333J	J24205333	
R 6069	CHIP RES.	100K	1/10W	5%	RMC1/10T 104J	J24205104	
R 6070	CHIP RES.	3.9K	1/10W	5%	RMC1/10T 392J	J24205392	
R 6071	CHIP RES.	12K	1/10W	5%	RMC1/10T 123J	J24205123	
R 6072	CHIP RES.	4.7K	1/10W	5%	RMC1/10T 472J	J24205472	

RX-2 Unit Parts List

REF.	DESCRIPTION	VALUE	WV	TOL.	MFGR'S DESIG	YAESU P/N	VERS.
R 6073	CHIP RES.	4. 7K	1/10W	5%	RMC1/10T 472J	J24205472	
R 6074	CHIP RES.	100K	1/10W	5%	RMC1/10T 104J	J24205104	
R 6075	CHIP RES.	100K	1/10W	5%	RMC1/10T 104J	J24205104	
R 6076	CHIP RES.	22K	1/10W	5%	RMC1/10T 223J	J24205223	
R 6077	CHIP RES.	22K	1/10W	5%	RMC1/10T 223J	J24205223	
R 6078	CHIP RES.	100K	1/10W	5%	RMC1/10T 104J	J24205104	
R 6079	CHIP RES.	4. 7K	1/10W	5%	RMC1/10T 472J	J24205472	
R 6080	CHIP RES.	100K	1/10W	5%	RMC1/10T 104J	J24205104	
R 6081	CHIP RES.	100K	1/10W	5%	RMC1/10T 104J	J24205104	
R 6082	CHIP RES.	2. 2K	1/10W	5%	RMC1/10T 222J	J24205222	
R 6083	CHIP RES.	47K	1/10W	5%	RMC1/10T 473J	J24205473	
R 6084	CHIP RES.	100	1/10W	5%	RMC1/10T 101J	J24205101	
R 6085	CHIP RES.	100K	1/10W	5%	RMC1/10T 104J	J24205104	
R 6086	CHIP RES.	18K	1/10W	5%	RMC1/10T 183J	J24205183	
R 6087	CHIP RES.	100	1/10W	5%	RMC1/10T 101J	J24205101	
R 6088	CHIP RES.	1K	1/10W	5%	RMC1/10T 102J	J24205102	
R 6089	CHIP RES.	68	1/10W	5%	RMC1/10T 680J	J24205680	
R 6090	CHIP RES.	100	1/10W	5%	RMC1/10T 101J	J24205101	
R 6091	CHIP RES.	33K	1/10W	5%	RMC1/10T 333J	J24205333	
R 6092	CHIP RES.	100K	1/10W	5%	RMC1/10T 104J	J24205104	
R 6093	CHIP RES.	18K	1/10W	5%	RMC1/10T 183J	J24205183	
R 6094	CHIP RES.	100	1/10W	5%	RMC1/10T 101J	J24205101	
R 6095	CHIP RES.	1K	1/10W	5%	RMC1/10T 102J	J24205102	
R 6096	CHIP RES.	68	1/10W	5%	RMC1/10T 680J	J24205680	
R 6097	CHIP RES.	100	1/10W	5%	RMC1/10T 101J	J24205101	
R 6098	CHIP RES.	22K	1/10W	5%	RMC1/10T 223J	J24205223	
R 6099	CHIP RES.	6. 8K	1/10W	5%	RMC1/10T 682J	J24205682	
R 6100	CHIP RES.	150	1/10W	5%	RMC1/10T 151J	J24205151	
R 6101	CHIP RES.	100	1/10W	5%	RMC1/10T 101J	J24205101	
R 6102	CHIP RES.	10K	1/10W	5%	RMC1/10T 103J	J24205103	DST AUS
R 6102	CHIP RES.	100K	1/10W	5%	RMC1/10T 104J	J24205104	DST BEL
R 6102	CHIP RES.	100K	1/10W	5%	RMC1/10T 104J	J24205104	DST EXP
R 6102	CHIP RES.	100K	1/10W	5%	RMC1/10T 104J	J24205104	DST USA
R 6103	CHIP RES.	10K	1/10W	5%	RMC1/10T 103J	J24205103	
R 6104	CHIP RES.	330K	1/10W	5%	RMC1/10T 334J	J24205334	
R 6105	CHIP RES.	100	1/10W	5%	RMC1/10T 101J	J24205101	
R 6106	CHIP RES.	10K	1/10W	5%	RMC1/10T 103J	J24205103	
R 6107	CHIP RES.	10K	1/10W	5%	RMC1/10T 103J	J24205103	
R 6108	CHIP RES.	1K	1/10W	5%	RMC1/10T 102J	J24205102	
R 6109	CHIP RES.	47K	1/10W	5%	RMC1/10T 473J	J24205473	
R 6110	CHIP RES.	47K	1/10W	5%	RMC1/10T 473J	J24205473	
R 6111	CHIP RES.	47K	1/10W	5%	RMC1/10T 473J	J24205473	
R 6112	CHIP RES.	47	1/10W	5%	RMC1/10T 470J	J24205470	
R 6113	CHIP RES.	22K	1/10W	5%	RMC1/10T 223J	J24205223	
R 6116	CHIP RES.	1K	1/10W	5%	RMC1/10T 102J	J24205102	
R 6118	CHIP RES.	47	1/10W	5%	RMC1/10T 470J	J24205470	
R 6119	CHIP RES.	15K	1/10W	5%	RMC1/10T 153J	J24205153	
R 6120	CHIP RES.	47K	1/10W	5%	RMC1/10T 473J	J24205473	
R 6121	CHIP RES.	2. 2K	1/10W	5%	RMC1/10T 222J	J24205222	
R 6122	CHIP RES.	220K	1/10W	5%	RMC1/10T 224J	J24205224	
R 6123	CHIP RES.	47K	1/10W	5%	RMC1/10T 473J	J24205473	
R 6124	CHIP RES.	33K	1/10W	5%	RMC1/10T 333J	J24205333	
R 6125	CHIP RES.	33K	1/10W	5%	RMC1/10T 333J	J24205333	
R 6126	CHIP RES.	22K	1/10W	5%	RMC1/10T 223J	J24205223	
R 6127	CHIP RES.	470K	1/10W	5%	RMC1/10T 474J	J24205474	
R 6128	CHIP RES.	10K	1/10W	5%	RMC1/10T 103J	J24205103	
R 6129	CHIP RES.	4. 7K	1/10W	5%	RMC1/10T 472J	J24205472	
R 6130	CHIP RES.	4. 7K	1/10W	5%	RMC1/10T 472J	J24205472	
R 6131	CHIP RES.	4. 7K	1/10W	5%	RMC1/10T 472J	J24205472	
R 6132	CHIP RES.	3. 3K	1/10W	5%	RMC1/10T 332J	J24205332	
R 6133	CHIP RES.	10K	1/10W	5%	RMC1/10T 103J	J24205103	
R 6134	CHIP RES.	4. 7K	1/10W	5%	RMC1/10T 472J	J24205472	
R 6135	CHIP RES.	4. 7K	1/10W	5%	RMC1/10T 472J	J24205472	
R 6136	CHIP RES.	4. 7K	1/10W	5%	RMC1/10T 472J	J24205472	
R 6137	CHIP RES.	3. 3K	1/10W	5%	RMC1/10T 332J	J24205332	
R 6138	CHIP RES.	22K	1/10W	5%	RMC1/10T 223J	J24205223	
R 6139	CARBON FILM RES.	3. 3K	1/6W	5%	RD16TPJ332 3. 3K	J07225332	
R 6140	CHIP RES.	6. 8K	1/10W	5%	RMC1/10T 682J	J24205682	
R 6141	CHIP RES.	100	1/10W	5%	RMC1/10T 101J	J24205101	
R 6142	CHIP RES.	1K	1/10W	5%	RMC1/10T 102J	J24205102	
R 6143	CHIP RES.	22K	1/10W	5%	RMC1/10T 223J	J24205223	
R 6144	CHIP RES.	6. 8K	1/10W	5%	RMC1/10T 682J	J24205682	
R 6145	CHIP RES.	330	1/10W	5%	RMC1/10T 331J	J24205331	
R 6146	CHIP RES.	68	1/10W	5%	RMC1/10T 680J	J24205680	
R 6147	CHIP RES.	220	1/10W	5%	RMC1/10T 221J	J24205221	
R 6148	CHIP RES.	100	1/10W	5%	RMC1/10T 101J	J24205101	
R 6149	CHIP RES.	100K	1/10W	5%	RMC1/10T 104J	J24205104	
R 6150	CHIP RES.	680	1/10W	5%	RMC1/10T 681J	J24205681	
R 6151	CHIP RES.	150	1/10W	5%	RMC1/10T 151J	J24205151	
R 6152	CHIP RES.	1K	1/10W	5%	RMC1/10T 102J	J24205102	
R 6153	CHIP RES.	100K	1/10W	5%	RMC1/10T 104J	J24205104	

RX-2 Unit Parts List

REF.	DESCRIPTION	VALUE	WV	TOL.	MFGR'S DESIG	YAESU P/N	VERS.
R 6154	CHIP RES.	150	1/10W	5%	RMC1/10T 151J	J24205151	
R 6155	CHIP RES.	100	1/10W	5%	RMC1/10T 101J	J24205101	
R 6156	CHIP RES.	100	1/10W	5%	RMC1/10T 101J	J24205101	
R 6157	CHIP RES.	68	1/10W	5%	RMC1/10T 680J	J24205680	
R 6158	CHIP RES.	100	1/10W	5%	RMC1/10T 101J	J24205101	
R 6159	CHIP RES.	68	1/10W	5%	RMC1/10T 680J	J24205680	
R 6160	CHIP RES.	68	1/10W	5%	RMC1/10T 680J	J24205680	
R 6161	CHIP RES.	220K	1/10W	5%	RMC1/10T 224J	J24205224	
R 6162	CHIP RES.	220	1/10W	5%	RMC1/10T 221J	J24205221	
R 6163	CHIP RES.	1K	1/10W	5%	RMC1/10T 102J	J24205102	
R 6164	CHIP RES.	100	1/10W	5%	RMC1/10T 101J	J24205101	
R 6165	CHIP RES.	100K	1/10W	5%	RMC1/10T 104J	J24205104	
R 6166	CHIP RES.	1K	1/10W	5%	RMC1/10T 102J	J24205102	
R 6167	CHIP RES.	68	1/10W	5%	RMC1/10T 680J	J24205680	
R 6168	CHIP RES.	22K	1/10W	5%	RMC1/10T 223J	J24205223	
R 6169	CHIP RES.	100	1/10W	5%	RMC1/10T 101J	J24205101	
R 6170	CHIP RES.	100K	1/10W	5%	RMC1/10T 104J	J24205104	
R 6171	CHIP RES.	100K	1/10W	5%	RMC1/10T 104J	J24205104	
R 6172	CHIP RES.	100	1/10W	5%	RMC1/10T 101J	J24205101	
R 6173	CHIP RES.	1K	1/10W	5%	RMC1/10T 102J	J24205102	
R 6174	CHIP RES.	100K	1/10W	5%	RMC1/10T 104J	J24205104	
R 6175	CHIP RES.	100	1/10W	5%	RMC1/10T 101J	J24205101	
R 6176	CHIP RES.	470	1/10W	5%	RMC1/10T 471J	J24205471	
R 6177	CHIP RES.	220K	1/10W	5%	RMC1/10T 224J	J24205224	
R 6178	CHIP RES.	100	1/10W	5%	RMC1/10T 101J	J24205101	
R 6179	CHIP RES.	220	1/10W	5%	RMC1/10T 221J	J24205221	
R 6180	CHIP RES.	22K	1/10W	5%	RMC1/10T 223J	J24205223	
R 6181	CHIP RES.	4. 7K	1/10W	5%	RMC1/10T 472J	J24205472	
R 6182	CHIP RES.	100	1/10W	5%	RMC1/10T 101J	J24205101	
R 6183	CHIP RES.	220	1/10W	5%	RMC1/10T 221J	J24205221	
R 6184	CHIP RES.	22K	1/10W	5%	RMC1/10T 223J	J24205223	
R 6185	CHIP RES.	4. 7K	1/10W	5%	RMC1/10T 472J	J24205472	
R 6186	CHIP RES.	100	1/10W	5%	RMC1/10T 101J	J24205101	
R 6187	CHIP RES.	100	1/10W	5%	RMC1/10T 101J	J24205101	
R 6188	CHIP RES.	680	1/10W	5%	RMC1/10T 681J	J24205681	
R 6189	CHIP RES.	2. 2K	1/10W	5%	RMC1/10T 222J	J24205222	
R 6190	CHIP RES.	220	1/10W	5%	RMC1/10T 221J	J24205221	
R 6191	CHIP RES.	100K	1/10W	5%	RMC1/10T 104J	J24205104	
R 6192	CHIP RES.	3. 3K	1/10W	5%	RMC1/10T 332J	J24205332	
R 6193	CHIP RES.	100K	1/10W	5%	RMC1/10T 104J	J24205104	
R 6194	CHIP RES.	100	1/10W	5%	RMC1/10T 101J	J24205101	
R 6195	CHIP RES.	680	1/10W	5%	RMC1/10T 681J	J24205681	
R 6196	CHIP RES.	220	1/10W	5%	RMC1/10T 221J	J24205221	
R 6197	CHIP RES.	100	1/10W	5%	RMC1/10T 101J	J24205101	
R 6198	CHIP RES.	100K	1/10W	5%	RMC1/10T 104J	J24205104	
R 6199	CHIP RES.	680	1/10W	5%	RMC1/10T 681J	J24205681	
R 6200	CHIP RES.	220	1/10W	5%	RMC1/10T 221J	J24205221	
R 6201	CHIP RES.	100	1/10W	5%	RMC1/10T 101J	J24205101	
R 6202	CHIP RES.	100K	1/10W	5%	RMC1/10T 104J	J24205104	
R 6203	CHIP RES.	680	1/10W	5%	RMC1/10T 681J	J24205681	
R 6204	CHIP RES.	100K	1/10W	5%	RMC1/10T 104J	J24205104	
R 6205	CHIP RES.	100	1/10W	5%	RMC1/10T 101J	J24205101	
R 6206	CHIP RES.	1K	1/10W	5%	RMC1/10T 102J	J24205102	
R 6207	CHIP RES.	680	1/10W	5%	RMC1/10T 681J	J24205681	
R 6208	CHIP RES.	22K	1/10W	5%	RMC1/10T 223J	J24205223	
R 6209	CHIP RES.	6. 8K	1/10W	5%	RMC1/10T 682J	J24205682	
R 6210	CHIP RES.	100	1/10W	5%	RMC1/10T 101J	J24205101	
R 6211	CHIP RES.	1K	1/10W	5%	RMC1/10T 102J	J24205102	
R 6212	CHIP RES.	68	1/10W	5%	RMC1/10T 680J	J24205680	
R 6214	CHIP RES.	100K	1/10W	5%	RMC1/10T 104J	J24205104	
R 6215	CHIP RES.	220	1/10W	5%	RMC1/10T 221J	J24205221	
R 6216	CHIP RES.	100	1/10W	5%	RMC1/10T 101J	J24205101	
R 6217	CHIP RES.	680	1/10W	5%	RMC1/10T 681J	J24205681	
R 6218	CHIP RES.	100	1/10W	5%	RMC1/10T 101J	J24205101	
R 6219	CHIP RES.	4. 7K	1/10W	5%	RMC1/10T 472J	J24205472	
R 6220	CHIP RES.	220	1/10W	5%	RMC1/10T 221J	J24205221	
R 6221	CHIP RES.	47	1/10W	5%	RMC1/10T 470J	J24205470	
R 6222	CHIP RES.	100K	1/10W	5%	RMC1/10T 104J	J24205104	
R 6223	CHIP RES.	150K	1/10W	5%	RMC1/10T 154J	J24205154	
R 6224	CHIP RES.	330	1/10W	5%	RMC1/10T 331J	J24205331	
R 6225	CHIP RES.	68	1/10W	5%	RMC1/10T 680J	J24205680	
R 6226	CHIP RES.	47K	1/10W	5%	RMC1/10T 473J	J24205473	
R 6227	CHIP RES.	68	1/10W	5%	RMC1/10T 680J	J24205680	
R 6228	CHIP RES.	470	1/10W	5%	RMC1/10T 471J	J24205471	
R 6229	CHIP RES.	220	1/10W	5%	RMC1/10T 221J	J24205221	
R 6230	CHIP RES.	100	1/10W	5%	RMC1/10T 101J	J24205101	
R 6231	CHIP RES.	100K	1/10W	5%	RMC1/10T 104J	J24205104	
R 6232	CHIP RES.	680	1/10W	5%	RMC1/10T 681J	J24205681	
R 6233	CHIP RES.	220	1/10W	5%	RMC1/10T 221J	J24205221	
R 6234	CHIP RES.	100	1/10W	5%	RMC1/10T 101J	J24205101	
R 6235	CHIP RES.	100K	1/10W	5%	RMC1/10T 104J	J24205104	

RX-2 Unit Parts List

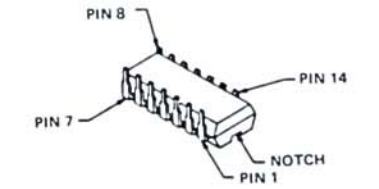
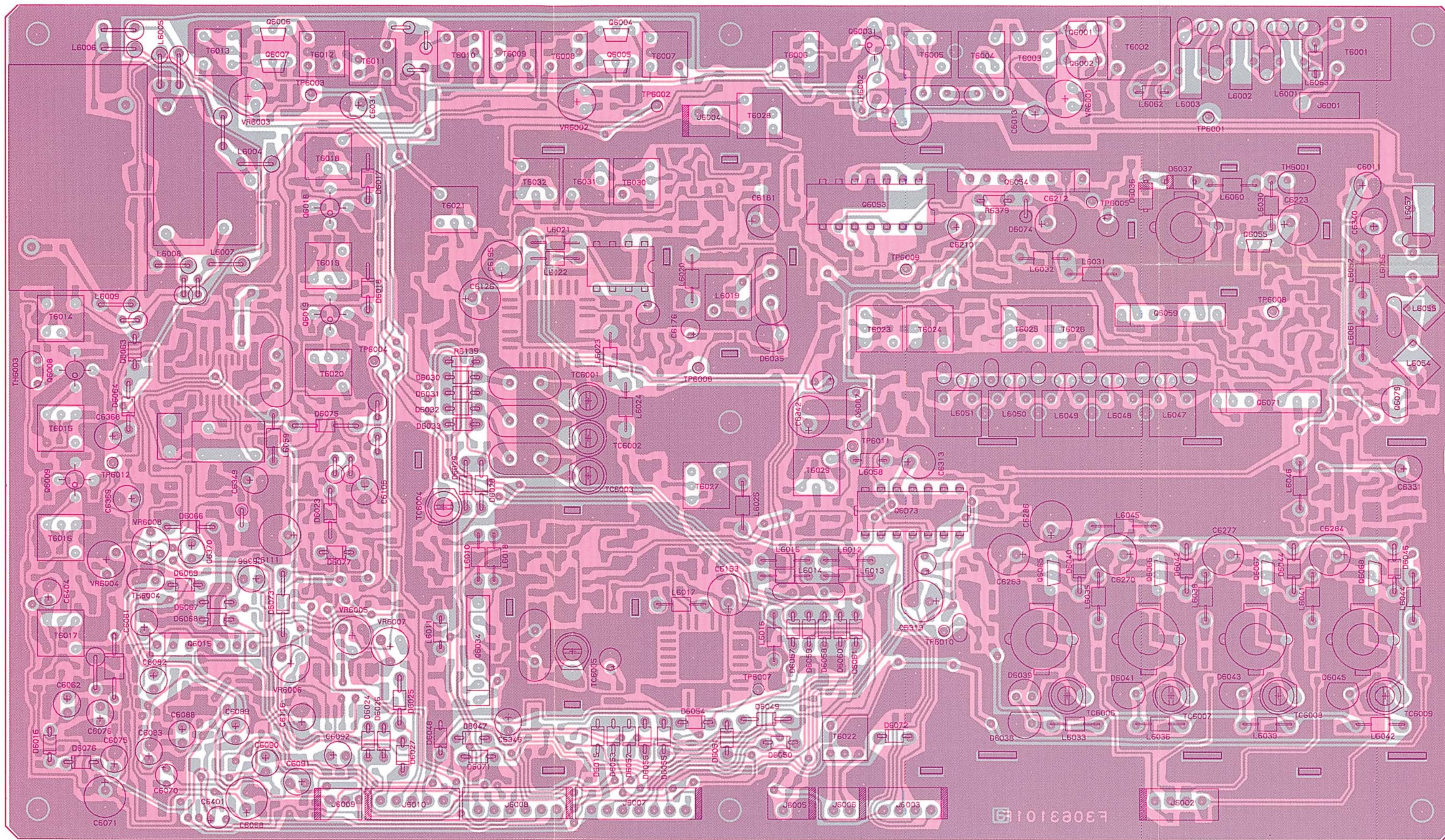
REF.	DESCRIPTION	VALUE	WV	TOL.	MFGR'S DESIG	YAESU P/N	VERS.
R 6236	CHIP RES.	680	1/10W	5%	RMC1/10T 681J	J24205681	
R 6237	CHIP RES.	150	1/10W	5%	RMC1/10T 151J	J24205151	
R 6238	CHIP RES.	100K	1/10W	5%	RMC1/10T 104J	J24205104	
R 6239	CHIP RES.	47	1/10W	5%	RMC1/10T 470J	J24205470	
R 6240	CHIP RES.	100	1/10W	5%	RMC1/10T 101J	J24205101	
R 6241	CHIP RES.	680	1/10W	5%	RMC1/10T 681J	J24205681	
R 6242	CHIP RES.	22K	1/10W	5%	RMC1/10T 223J	J24205223	
R 6243	CHIP RES.	6. 8K	1/10W	5%	RMC1/10T 682J	J24205682	
R 6244	CHIP RES.	470	1/10W	5%	RMC1/10T 471J	J24205471	
R 6245	CHIP RES.	1K	1/10W	5%	RMC1/10T 102J	J24205102	
R 6246	CHIP RES.	100	1/10W	5%	RMC1/10T 101J	J24205101	
R 6247	CHIP RES.	6. 8K	1/10W	5%	RMC1/10T 682J	J24205682	
R 6248	CHIP RES.	22K	1/10W	5%	RMC1/10T 223J	J24205223	
R 6249	CHIP RES.	4. 7K	1/10W	5%	RMC1/10T 472J	J24205472	
R 6250	CHIP RES.	330	1/10W	5%	RMC1/10T 331J	J24205331	
R 6251	CHIP RES.	100	1/10W	5%	RMC1/10T 101J	J24205101	
R 6252	CHIP RES.	22K	1/10W	5%	RMC1/10T 223J	J24205223	
R 6253	CHIP RES.	6. 8K	1/10W	5%	RMC1/10T 682J	J24205682	
R 6254	CHIP RES.	330	1/10W	5%	RMC1/10T 331J	J24205331	
R 6255	CHIP RES.	100	1/10W	5%	RMC1/10T 101J	J24205101	
R 6256	CHIP RES.	33K	1/10W	5%	RMC1/10T 333J	J24205333	
R 6257	CHIP RES.	470K	1/10W	5%	RMC1/10T 474J	J24205474	
R 6258	CHIP RES.	22K	1/10W	5%	RMC1/10T 223J	J24205223	
R 6259	CHIP RES.	100	1/10W	5%	RMC1/10T 101J	J24205101	
R 6260	CHIP RES.	150	1/10W	5%	RMC1/10T 151J	J24205151	
R 6261	CHIP RES.	470K	1/10W	5%	RMC1/10T 474J	J24205474	
R 6262	CHIP RES.	22K	1/10W	5%	RMC1/10T 223J	J24205223	
R 6263	CHIP RES.	100	1/10W	5%	RMC1/10T 101J	J24205101	
R 6264	CHIP RES.	150	1/10W	5%	RMC1/10T 151J	J24205151	
R 6265	CHIP RES.	470K	1/10W	5%	RMC1/10T 474J	J24205474	
R 6266	CHIP RES.	22K	1/10W	5%	RMC1/10T 223J	J24205223	
R 6267	CHIP RES.	100	1/10W	5%	RMC1/10T 101J	J24205101	
R 6268	CHIP RES.	150	1/10W	5%	RMC1/10T 151J	J24205151	
R 6269	CHIP RES.	470K	1/10W	5%	RMC1/10T 474J	J24205474	
R 6270	CHIP RES.	22K	1/10W	5%	RMC1/10T 223J	J24205223	
R 6271	CHIP RES.	100	1/10W	5%	RMC1/10T 101J	J24205101	
R 6272	CHIP RES.	2. 2K	1/10W	5%	RMC1/10T 222J	J24205222	
R 6273	CHIP RES.	150	1/10W	5%	RMC1/10T 151J	J24205151	
R 6274	CHIP RES.	47K	1/10W	5%	RMC1/10T 473J	J24205473	
R 6275	CHIP RES.	68	1/10W	5%	RMC1/10T 680J	J24205680	
R 6276	CHIP RES.	470	1/10W	5%	RMC1/10T 471J	J24205471	
R 6277	CHIP RES.	47K	1/10W	5%	RMC1/10T 473J	J24205473	
R 6278	CHIP RES.	68	1/10W	5%	RMC1/10T 680J	J24205680	
R 6279	CHIP RES.	470	1/10W	5%	RMC1/10T 471J	J24205471	
R 6280	CHIP RES.	150	1/10W	5%	RMC1/10T 151J	J24205151	
R 6281	CHIP RES.	330	1/10W	5%	RMC1/10T 331J	J24205331	
R 6282	CHIP RES.	100K	1/10W	5%	RMC1/10T 104J	J24205104	
R 6283	CHIP RES.	220	1/10W	5%	RMC1/10T 221J	J24205221	
R 6284	CHIP RES.	100	1/10W	5%	RMC1/10T 101J	J24205101	
R 6285	CHIP RES.	680	1/10W	5%	RMC1/10T 681J	J24205681	
R 6286	CHIP RES.	15K	1/10W	5%	RMC1/10T 153J	J24205153	
R 6287	CHIP RES.	68	1/10W	5%	RMC1/10T 680J	J24205680	
R 6288	CHIP RES.	1K	1/10W	5%	RMC1/10T 102J	J24205102	
R 6289	CHIP RES.	470	1/10W	5%	RMC1/10T 471J	J24205471	
R 6290	CHIP RES.	680	1/10W	5%	RMC1/10T 681J	J24205681	
R 6291	CHIP RES.	1K	1/10W	5%	RMC1/10T 102J	J24205102	
R 6292	CHIP RES.	1K	1/10W	5%	RMC1/10T 102J	J24205102	
R 6293	CHIP RES.	100K	1/10W	5%	RMC1/10T 104J	J24205104	
R 6294	CHIP RES.	680	1/10W	5%	RMC1/10T 681J	J24205681	
R 6295	CHIP RES.	330	1/10W	5%	RMC1/10T 331J	J24205331	
R 6296	CHIP RES.	10K	1/10W	5%	RMC1/10T 103J	J24205103	
R 6297	CHIP RES.	3. 9K	1/10W	5%	RMC1/10T 392J	J24205392	
R 6298	CHIP RES.	220	1/10W	5%	RMC1/10T 221J	J24205221	
R 6299	CHIP RES.	47	1/10W	5%	RMC1/10T 470J	J24205470	
R 6300	CHIP RES.	3. 3K	1/10W	5%	RMC1/10T 332J	J24205332	
R 6301	CHIP RES.	1. 5K	1/10W	5%	RMC1/10T 152J	J24205152	
R 6302	CHIP RES.	15	1/10W	5%	RMC1/10T 150J	J24205150	
R 6303	CHIP RES.	33	1/10W	5%	RMC1/10T 330J	J24205330	
R 6304	CHIP RES.	330	1/10W	5%	RMC1/10T 331J	J24205331	
R 6305	CHIP RES.	15	1/10W	5%	RMC1/10T 150J	J24205150	
R 6306	CHIP RES.	330	1/10W	5%	RMC1/10T 331J	J24205331	
R 6312	CHIP RES.	1K	1/10W	5%	RMC1/10T 102J	J24205102	
R 6313	CHIP RES.	470	1/10W	5%	RMC1/10T 471J	J24205471	
R 6314	CHIP RES.	22K	1/10W	5%	RMC1/10T 223J	J24205223	
R 6315	CHIP RES.	22K	1/10W	5%	RMC1/10T 223J	J24205223	
R 6316	CHIP RES.	22K	1/10W	5%	RMC1/10T 223J	J24205223	
R 6317	CHIP RES.	22K	1/10W	5%	RMC1/10T 223J	J24205223	
R 6318	CHIP RES.	22K	1/10W	5%	RMC1/10T 223J	J24205223	
R 6319	CHIP RES.	22K	1/10W	5%	RMC1/10T 223J	J24205223	
R 6320	CHIP RES.	22K	1/10W	5%	RMC1/10T 223J	J24205223	
R 6321	CHIP RES.	4. 7K	1/10W	5%	RMC1/10T 472J	J24205472	

RX-2 Unit Parts List

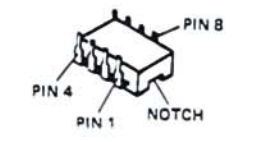
REF.	DESCRIPTION	VALUE	WV	TOL.	MFGR'S DESIG	YAESU P/N	VERS.
R 6322	CHIP RES.	220	1/10W	5%	RMC1/10T 221J	J24205221	
R 6323	CHIP RES.	22K	1/10W	5%	RMC1/10T 223J	J24205223	
R 6324	CHIP RES.	6. 8K	1/10W	5%	RMC1/10T 682J	J24205682	
R 6325	CHIP RES.	470	1/10W	5%	RMC1/10T 471J	J24205471	
R 6326	CHIP RES.	100	1/10W	5%	RMC1/10T 101J	J24205101	
R 6327	CHIP RES.	0	1/10W	5%	RMC1/10T 000J	J24205000	
R 6328	CHIP RES.	47K	1/10W	5%	RMC1/10T 473J	J24205473	
R 6329	CHIP RES.	1K	1/10W	5%	RMC1/10T 102J	J24205102	
R 6330	CHIP RES.	1. 8K	1/10W	5%	RMC1/10T 182J	J24205182	
R 6331	CHIP RES.	470	1/10W	5%	RMC1/10T 471J	J24205471	
R 6332	CHIP RES.	22K	1/10W	5%	RMC1/10T 223J	J24205223	
R 6333	CHIP RES.	22K	1/10W	5%	RMC1/10T 223J	J24205223	
R 6334	CHIP RES.	22K	1/10W	5%	RMC1/10T 223J	J24205223	
R 6335	CHIP RES.	150K	1/10W	5%	RMC1/10T 154J	J24205154	
R 6336	CHIP RES.	100K	1/10W	5%	RMC1/10T 104J	J24205104	
R 6337	CHIP RES.	100K	1/10W	5%	RMC1/10T 104J	J24205104	
R 6338	CHIP RES.	47K	1/10W	5%	RMC1/10T 473J	J24205473	
R 6339	CHIP RES.	680K	1/10W	5%	RMC1/10T 684J	J24205684	
R 6340	CHIP RES.	6. 8K	1/10W	5%	RMC1/10T 682J	J24205682	
R 6341	CHIP RES.	4. 7K	1/10W	5%	RMC1/10T 472J	J24205472	
R 6342	CHIP RES.	1K	1/10W	5%	RMC1/10T 102J	J24205102	
R 6343	CHIP RES.	4. 7K	1/10W	5%	RMC1/10T 472J	J24205472	
R 6344	CHIP RES.	1K	1/10W	5%	RMC1/10T 102J	J24205102	
R 6345	CHIP RES.	220K	1/10W	5%	RMC1/10T 224J	J24205224	
R 6346	CHIP RES.	3. 3K	1/10W	5%	RMC1/10T 332J	J24205332	
R 6347	CHIP RES.	100K	1/10W	5%	RMC1/10T 104J	J24205104	
R 6348	CHIP RES.	22K	1/10W	5%	RMC1/10T 223J	J24205223	
R 6349	CHIP RES.	3. 3K	1/10W	5%	RMC1/10T 332J	J24205332	
R 6350	CHIP RES.	0	1/10W	5%	RMC1/10T 000J	J24205000	
R 6351	CHIP RES.	0	1/10W	5%	RMC1/10T 000J	J24205000	
R 6352	CHIP RES.	0	1/10W	5%	RMC1/10T 000J	J24205000	
R 6353	CHIP RES.	0	1/10W	5%	RMC1/10T 000J	J24205000	
R 6354	CHIP RES.	0	1/10W	5%	RMC1/10T 000J	J24205000	
R 6355	CHIP RES.	0	1/10W	5%	RMC1/10T 000J	J24205000	
R 6356	CHIP RES.	0	1/10W	5%	RMC1/10T 000J	J24205000	
R 6357	CHIP RES.	0	1/10W	5%	RMC1/10T 000J	J24205000	
R 6358	CHIP RES.	22K	1/10W	5%	RMC1/10T 223J	J24205223	
R 6359	CHIP RES.	6. 8K	1/10W	5%	RMC1/10T 682J	J24205682	
R 6360	CHIP RES.	220	1/10W	5%	RMC1/10T 221J	J24205221	
R 6362	CHIP RES.	47	1/10W	5%	RMC1/10T 470J	J24205470	
R 6363	CHIP RES.	0	1/10W	5%	RMC1/10T 000J	J24205000	
R 6364	CHIP RES.	0	1/10W	5%	RMC1/10T 000J	J24205000	
R 6365	CHIP RES.	100	1/10W	5%	RMC1/10T 101J	J24205101	
R 6367	CHIP RES.	0	1/10W	5%	RMC1/10T 000J	J24205000	
R 6368	CHIP RES.	47	1/10W	5%	RMC1/10T 470J	J24205470	
R 6369	CHIP RES.	2. 2K	1/10W	5%	RMC1/10T 222J	J24205222	
R 6370	CHIP RES.	22K	1/10W	5%	RMC1/10T 223J	J24205223	
R 6371	CHIP RES.	15K	1/10W	5%	RMC1/10T 153J	J24205153	
R 6372	CHIP RES.	3. 3K	1/10W	5%	RMC1/10T 332J	J24205332	
R 6373	CHIP RES.	3. 3K	1/10W	5%	RMC1/10T 332J	J24205332	
R 6374	CHIP RES.	0	1/10W	5%	RMC1/10T 000J	J24205000	
R 6375	CHIP RES.	1. 5K	1/10W	5%	RMC1/10T 152J	J24205152	
R 6376	CHIP RES.	4. 7K	1/10W	5%	RMC1/10T 472J	J24205472	
R 6377	CHIP RES.	220K	1/10W	5%	RMC1/10T 224J	J24205224	
R 6378	CHIP RES.	3. 3K	1/10W	5%	RMC1/10T 332J	J24205332	
R 6379	CARBON FILM RES.	100	1/6W	5%	RD16TPJ101 100	J07225101	
R 6380	CHIP RES.	100K	1/10W	5%	RMC1/10T 104J	J24205104	
R 6381	CHIP RES.	100K	1/10W	5%	RMC1/10T 104J	J24205104	
R 6382	CHIP RES.	100K	1/10W	5%	RMC1/10T 104J	J24205104	
R 6383	CHIP RES.	1K	1/10W	5%	RMC1/10T 102J	J24205102	
R 6384	CHIP RES.	470	1/10W	5%	RMC1/10T 471J	J24205471	
R 6385	CHIP RES.	10K	1/10W	5%	RMC1/10T 103J	J24205103	
R 6388	CHIP RES.	220	1/10W	5%	RMC1/10T 221J	J24205221	
R 6389	CHIP RES.	4. 7K	1/10W	5%	RMC1/10T 472J	J24205472	
R 6390	CARBON FILM RES.	680	1/6W	5%	RD16PJ681 680	J01225681	
R 6391	CARBON FILM RES.	680	1/6W	5%	RD16TPJ681 680	J07225681	
R 6392	CARBON FILM RES.	470	1/6W	5%	RD16TPJ471 470	J07225471	
T 6001	COIL				4-1 2001F	L0020883	
T 6002	COIL				4-1 3A R19X5X5	L0020278	
T 6003	COIL	48. 6MHz			48. 6M R12-M417A	L0021125A	
T 6004	COIL	48. 64MHz			48. 64M R12-J767A	L0021943	
T 6005	COIL	48. 64MHz			48. 64M R12-J767A	L0021943	
T 6006	COIL	48. 6MHz			48. 6M R12-M417A	L0021125A	
T 6007	COIL				4-1 2D3 TR6X3	L0020788A	
T 6008	COIL	7. 68MHz			7. 68M R12-J770A	L0021936	
T 6009	COIL	7. 68MHz			7. 68M R12-J769A	L0021937	
T 6010	COIL	7. 68MHz			7. 68M R12-J769A	L0021937	
T 6011	COIL	7. 68MHz			7. 68M R12-J769A	L0021937	
T 6012	COIL				4-1 2D3 TR6X3	L0020788A	
T 6013	COIL	455KHz			455K R12-F777A	L0021737	

RX-2 Unit Parts List

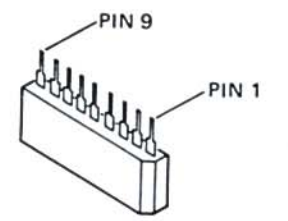
REF.	DESCRIPTION	VALUE	WV	TOL.	MFGR'S DESIG	YAESU P/N	VERS.
T 6014	COIL	455KHz			455K	L0190002	
T 6015	COIL	455KHz			455K R12-F777A	L0021737	
T 6016	COIL	455KHz			455K	L0190002	
T 6017	COIL	455KHz			455K R12-5898C	L0190026	
T 6018	COIL	7.68MHz			7.68M R12-J770A	L0021936	
T 6019	COIL	7.68MHz			7.68M R12-J769A	L0021937	
T 6020	COIL	7.68MHz			7.68M R12-J770A	L0021936	
T 6021	COIL	8.20MHz			8.20M R12-4043A	L0021199	
T 6023	COIL	23.04MHz			23.04M R12-M422A	L0021938	
T 6024	COIL	23.04MHz			23.04M R12-M422A	L0021938	
T 6025	COIL	46.08MHz			46.08M R12-M421A	L0021939	
T 6026	COIL	46.08MHz			46.08M R12-M421A	L0021939	
T 6027	COIL	5.12MHz			5.12M R12-H959A	L0021940	
T 6028	COIL					L0021484	
T 6029	COIL	10.7MHz			10.7M R12-4264A	L0021163	
T 6030	COIL	40.96MHz			40.96M R12-M424A	L0021941	
T 6031	COIL	40.96MHz			40.96M R12-M424A	L0021941	
T 6032	COIL	40.96MHz			40.96M R12-M424A	L0021941	
TC6001	TRIMMER CAP.	20pF			ECV1ZW20X53T	K91000029	
TC6002	TRIMMER CAP.	20pF			ECV1ZW20X53T	K91000029	
TC6003	TRIMMER CAP.	20pF			ECV1ZW20X53T	K91000029	
TC6004	TRIMMER CAP.	40pF			ECV1ZW40X53T	K91000030	
TC6005	TRIMMER CAP.	20pF			ECV1ZW20X53T	K91000029	
TC6006	TRIMMER CAP.	4pF			ECV1ZW04X53T	K91000059	
TC6007	TRIMMER CAP.	6pF			ECV1ZW06X53T	K91000055	
TC6008	TRIMMER CAP.	6pF			ECV1ZW06X53T	K91000055	
TC6009	TRIMMER CAP.	6pF			ECV1ZW06X53T	K91000055	
TH6001	THERMISTOR				112201-2	G9090026	
TH6002	THERMISTOR				112201-2	G9090026	
TH6003	THERMISTOR				113-400-2	G9090064	
TH6004	THERMISTOR				112102-2	G9090008	
TP6001	TP-F				IPS-1032	Q5000026	
TP6002	TP-F				IPS-1032	Q5000026	
TP6003	TP-F				IPS-1032	Q5000026	
TP6004	TP-F				IPS-1032	Q5000026	
TP6005	TP-F				IPS-1032	Q5000026	
TP6006	TP-F				IPS-1032	Q5000026	
TP6007	TP-F				IPS-1032	Q5000026	
TP6008	TP-F				IPS-1032	Q5000026	
TP6009	TP-F				IPS-1032	Q5000026	
TP6010	TP-F				IPS-1032	Q5000026	
TP6011	TP-F				IPS-1032	Q5000026	
TP6012	TP-F				IPS-1032	Q5000026	
VR6001	POT.	470B			H0651A005-470B	J51745471	
VR6002	POT.	470B			H0651A005-470B	J51745471	
VR6003	POT.	470B			H0651A005-470B	J51745471	
VR6004	POT.	470B			H0651A005-470B	J51745471	
VR6005	POT.	3.3KB			RH0421CN3J 3.3KB	J51798332	
VR6006	POT.	22KB			H0651A015-22KB	J51745223	
VR6007	POT.	33KB			RH0421CN4J 33KB	J51798333	
VR6008	POT.	22KB			H0651A015-22KB	J51745223	
X 6001	XTAL	8.1365MHz				H0102920	
X 6002	XTAL	8.1335MHz				H0102921	
X 6003	XTAL	8.1352MHz				H0102922	
X 6004	XTAL	40.96MHz				H0102923	
X 6005	XTAL	7.68MHz				H0102924	
X 6006	XTAL	48.185MHz				H0102925	
XF6001	XTAL FILTER				48N10B1	H1102151	
XF6003	XTAL FILTER				XF-455MC	H1102073	FLT 9
	SHIELD CASE					R0107800A	
	SHIELD CASE COVER					R0107811	
	SHIELD PLATE					R0107820A	
	SHIELD CASE (3pcs)					R0131670A	
	SHIELD COVER (3pcs)					R0131680	
	SHIELD PLATE (3pcs)					R0131690	
	SHIELD PLATE					R0131700B	
	SHIELD CASE					R0513870	
	SHIELD COVER					R0514010	
	SPONGE RUBBER (2pcs)					R7126100	



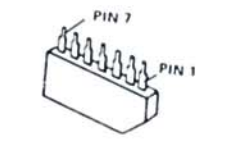
CX-7925B
(Q6073)
MC14013BCP
(Q6053)



μPB555C
(Q6047)

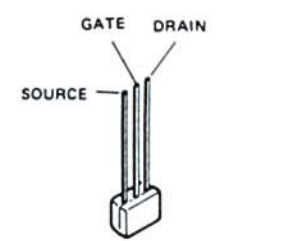


TC5081AP
(Q6054)

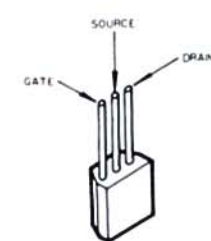


μPC1037H
(Q6015, Q6034,
Q6059, Q6071)

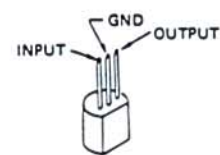
(obverse view of "component" side)



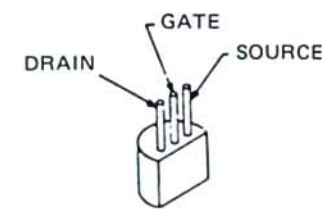
2SK507E
(Q6004, Q6005,
Q6006, Q6007)



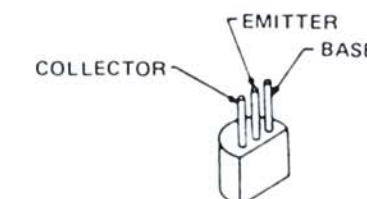
2SK192A-BL
(Q6055, Q6065, Q6066,
Q6067, Q6068)



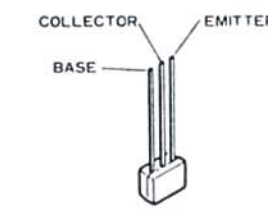
uPC78L05J
(Q6087)



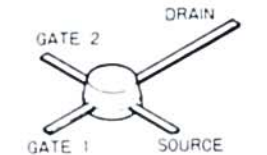
J310
(Q6001, Q6002)



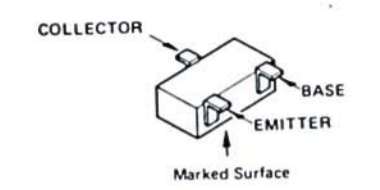
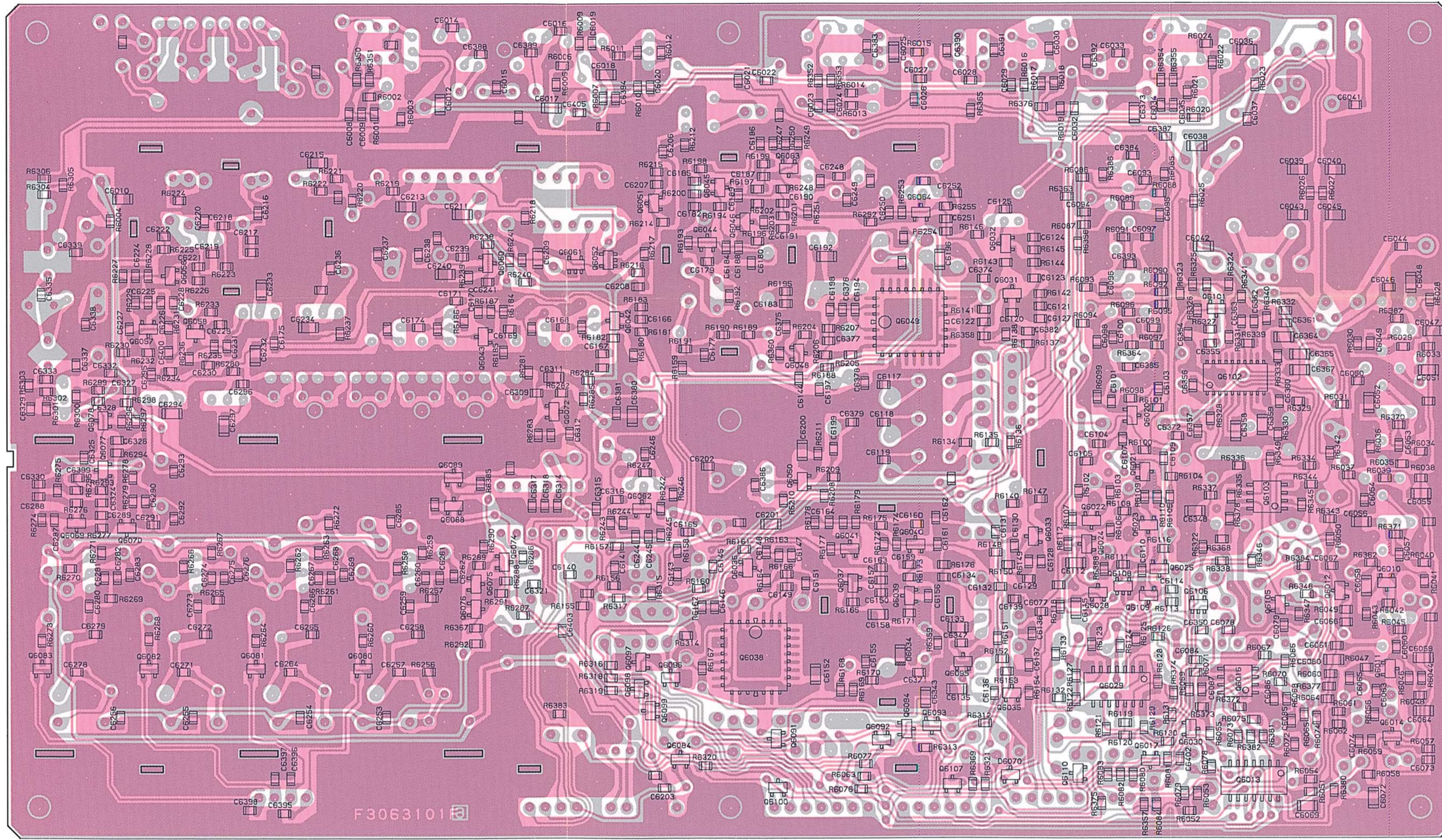
2SC3355
(Q6079)



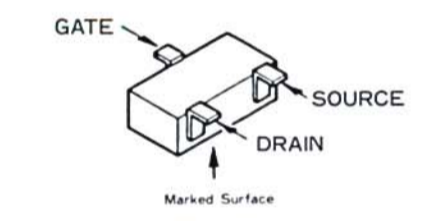
BA1A4P
(Q6111)



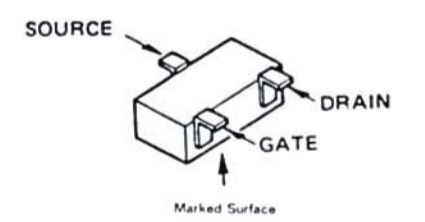
3SK74L
(Q6003, Q6008, Q6009,
Q6018, Q6019)



- UN2211(8A)
 (Q6080, Q6081, Q6082, Q6083, Q6084, Q6088, Q6091, Q6095, Q6096, Q6097, Q6098, Q6099, Q6100, Q6105, Q6107, Q6109)
- FN1A4M(M33)
 (Q6092, Q6093, Q6094)
- DTA143EK(T96)
 (Q6089)
- 2SA1162GR(SG)
 (Q6023, Q6025)
- 2SC2619(FB)
 (Q6020, Q6032, Q6033, Q6040, Q6041, Q6042, Q6043, Q6045, Q6046, Q6050, Q6063, Q6064, Q6101)
- 2SC2620(QB)
 (Q6010, Q6031, Q6039, Q6044, Q6057, Q6058, Q6072)
- 2SC2712GR(LG)
 (Q6011, Q6012, Q6014, Q6017, Q6021, Q6022, Q6024, Q6028, Q6030, Q6035, Q6036, Q6037, Q6048, Q6051, Q6060, Q6062, Q6075, Q6076)
- 2SC2714Y(JY)
 (Q6077, Q6078)
- FA1A4P(L34)
 (Q6110)

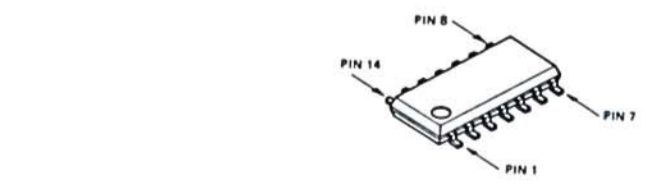


- 2SK208Y(JY)
 (Q6074)

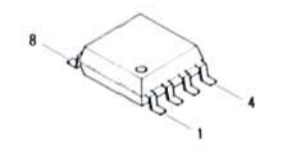


- 2SK302GR(TG)
 (Q6069)
- 2SK302Y(TY)
 (Q6056, Q6070)

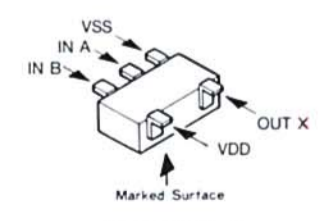
(obverse view of "chip-only" side)



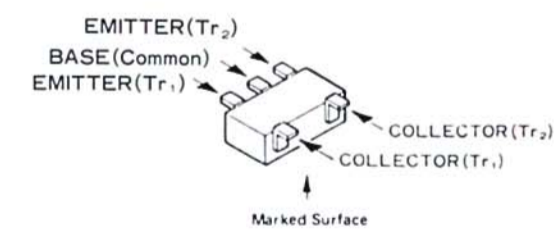
- μPD4066BM
 (Q6013)
- NJM2902M
 (Q6029)
- MC145163SL
 (Q6038, Q6049)
- TK10487MT1
 (Q6102)



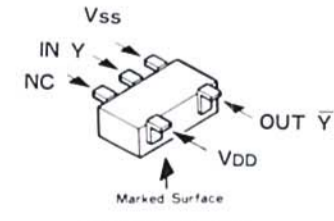
- NJM2904M
 (Q6016, Q6103)



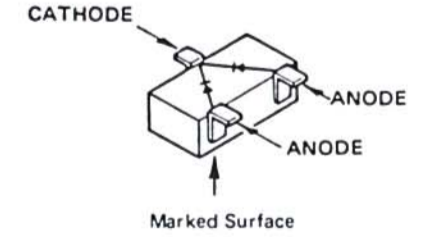
- TC4S81F(C2)
 (Q6108)



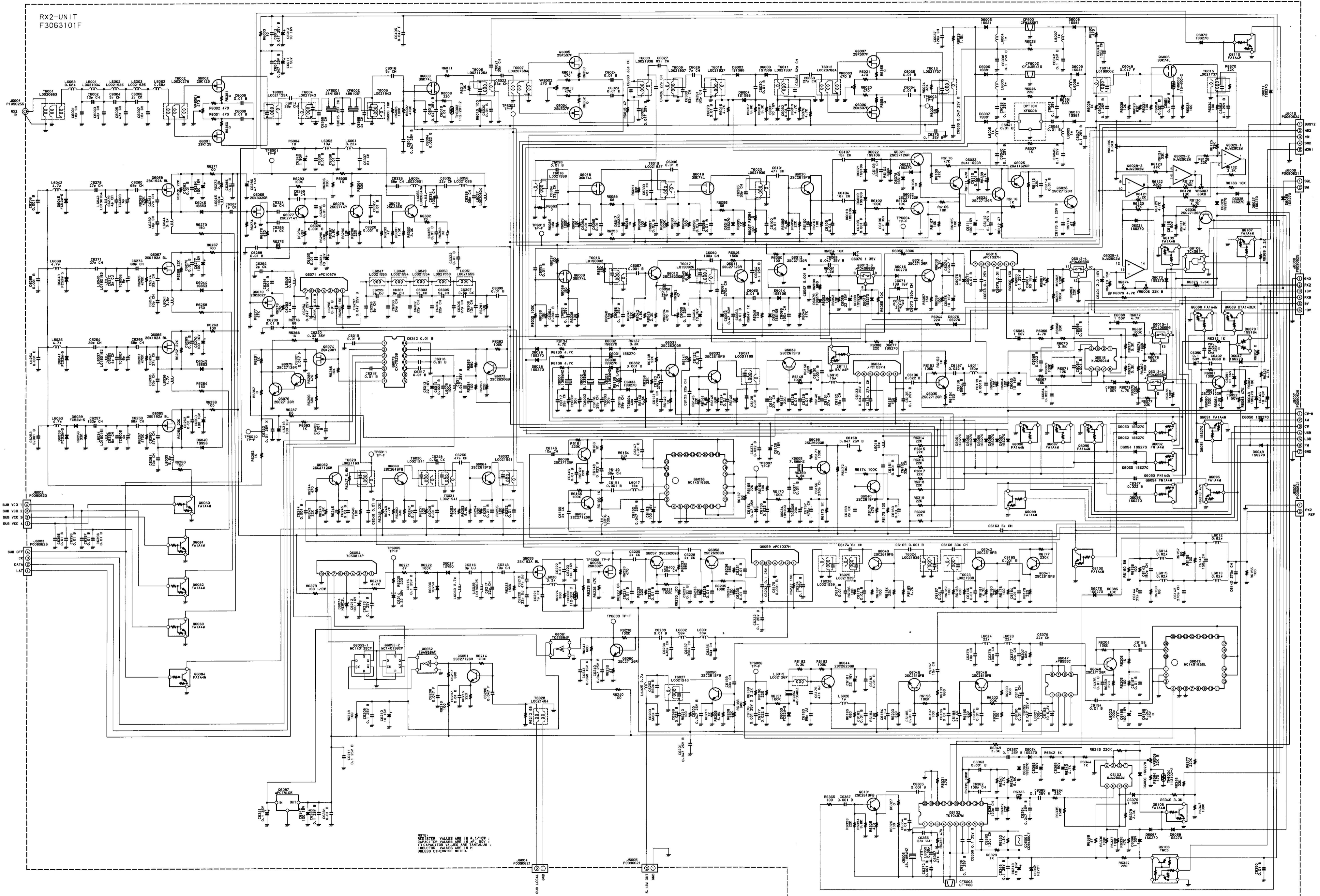
- FMC3(T99)
 (Q6106)



- TC4S584F(CA)
 (Q6052, Q6061)



- 1SS184(B3)
 (D6070)

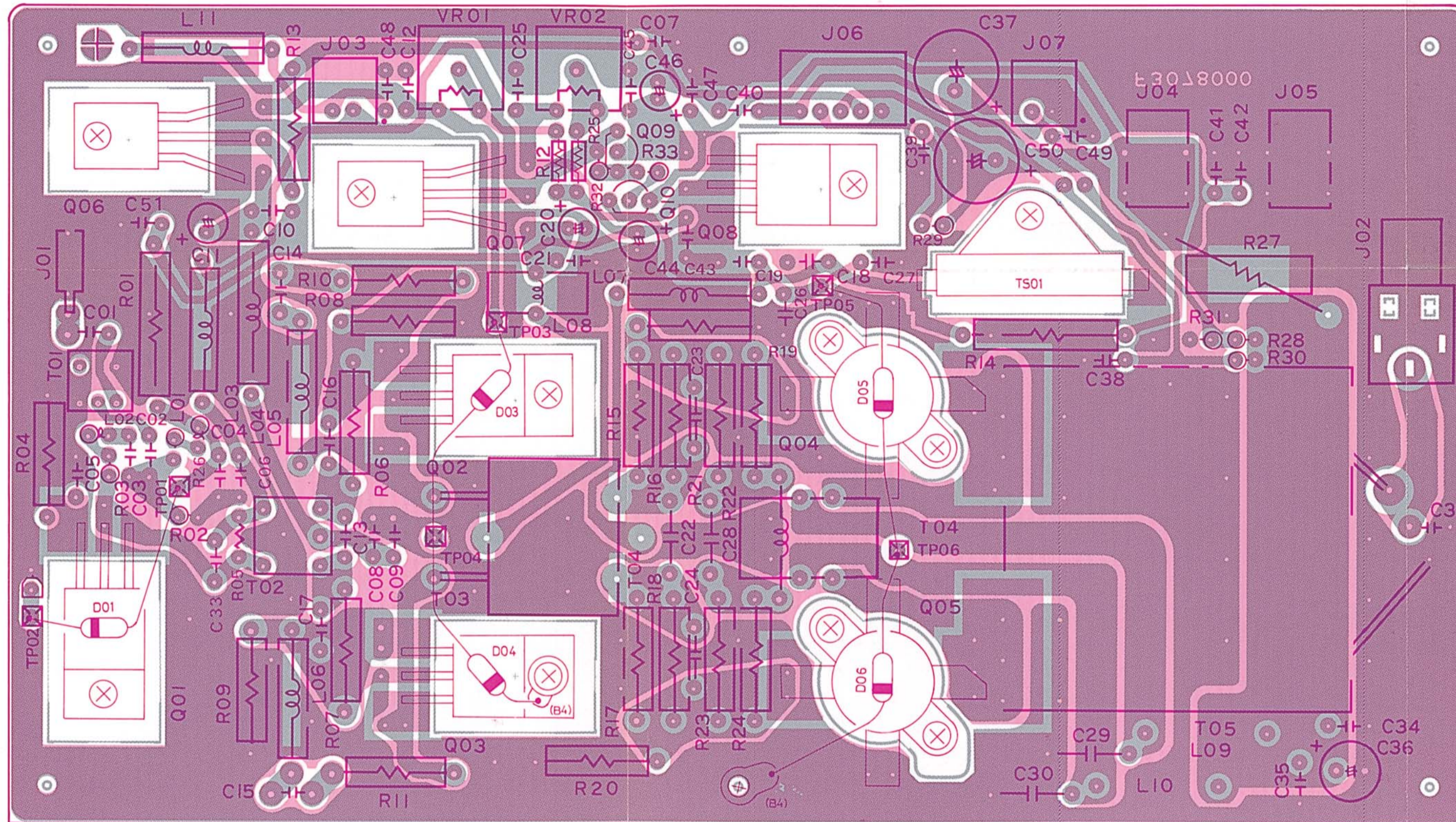


PA Unit Parts List

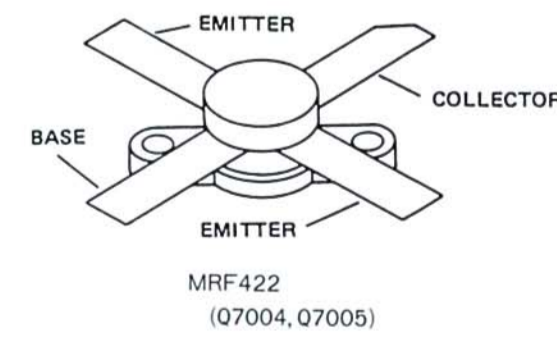
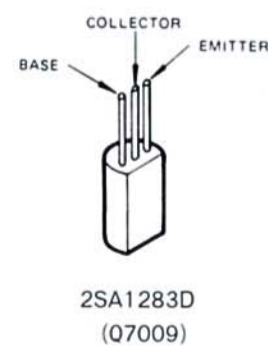
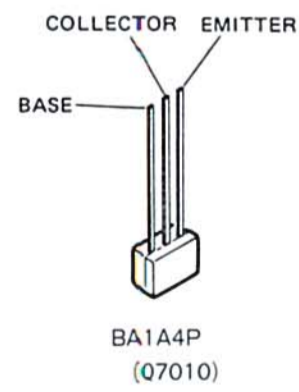
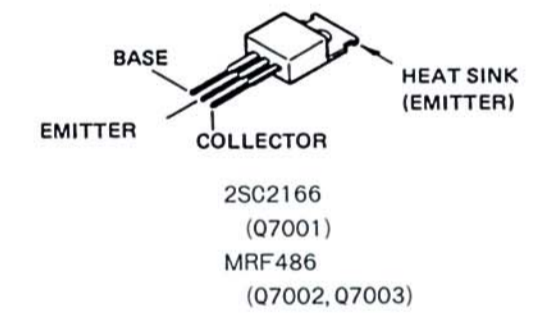
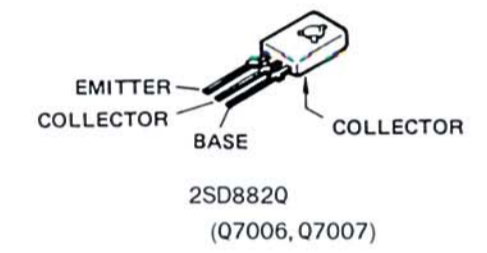
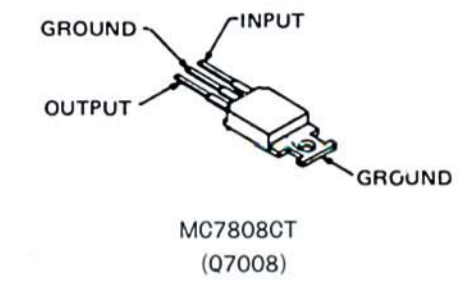
REF.	DESCRIPTION	VALUE	WV	TOL.	MPGR'S DESIG	YAESU P/N	VERS.
*** 200W PA UNIT ***							
PCB with Components (W/O PRESS BOARD, FITTING PA, HEATSINK PA)						CS0861001	
Printed Circuit Board						F3078101	
C 7001	CERAMIC CAP.	0.047uF	50V	F	DD110F473Z50	K13179009	
C 7002	CERAMIC CAP.	0.047uF	50V	F	DD110F473Z50	K13179009	
C 7003	CERAMIC CAP.	0.047uF	50V	F	DD110F473Z50	K13179009	
C 7004	CERAMIC CAP.	0.047uF	50V	F	DD110F473Z50	K13179009	
C 7005	CERAMIC CAP.	0.0047uF	50V	B	DD108B472K50	K10179038	
C 7006	CERAMIC CAP.	0.047uF	50V	F	DD110F473Z50	K13179009	
C 7007	CERAMIC CAP.	0.047uF	50V	F	DD110F473Z50	K13179009	
C 7008	CERAMIC CAP.	0.01uF	50V	F	DD106F103Z50	K13179008	
C 7009	CERAMIC CAP.	0.047uF	50V	F	DD110F473Z50	K13179009	
C 7010	CERAMIC CAP.	0.047uF	50V	F	DD110F473Z50	K13179009	
C 7011	AL. ELECTRO. CAP.	10uF	16V		RE2-16V100MMA	K40129004	
C 7012	CERAMIC CAP.	0.01uF	50V	F	DD106F103Z50	K13179008	
C 7013	CERAMIC CAP.	470pF	50V	SL	DD109SL471J50	K00175471	
C 7014	CERAMIC CAP.	0.047uF	50V	F	DD110F473Z50	K13179009	
C 7015	CERAMIC CAP.	0.047uF	50V	F	DD110F473Z50	K13179009	
C 7016	CERAMIC CAP.	0.0047uF	50V	B	DD108B472K50	K10179038	
C 7017	CERAMIC CAP.	0.0047uF	50V	B	DD108B472K50	K10179038	
C 7018	CERAMIC CAP.	0.01uF	50V	F	DD106F103Z50	K13179008	
C 7019	CERAMIC CAP.	0.047uF	50V	F	DD110F473Z50	K13179009	
C 7020	AL. ELECTRO. CAP.	10uF	16V		RE2-16V100MMA	K40129004	
C 7021	CERAMIC CAP.	0.047uF	50V	F	DD110F473Z50	K13179009	
C 7022	MICA CAP.	820pF	500V		LCQ18821J5	K30275821	
C 7023	CERAMIC CAP.	0.0068uF	500V	XB	CD130XB682K500	K10276682	
C 7024	CERAMIC CAP.	0.0068uF	500V	XB	CD130XB682K500	K10276682	
C 7025	CERAMIC CAP.	0.047uF	50V	F	DD110F473Z50	K13179009	
C 7026	CERAMIC CAP.	0.047uF	50V	F	DD110F473Z50	K13179009	
C 7027	CERAMIC CAP.	0.047uF	50V	F	DD110F473Z50	K13179009	
C 7028	MICA CAP.	680pF	500V		LCQ18681J5	K30275681	
C 7029	FILM CAP.	0.1	50V		ECQ-M1H104KZ	K50170001	
C 7030	FILM CAP.	0.1	50V		ECQ-M1H104KZ	K50170001	
C 7031	MICA CAP.	390pF	500V		DM15D391K5	K30279041	
C 7032	MICA CAP.	22pF	500V		LCQ12220J5	K30275220	
C 7033	CERAMIC CAP.	47pF	50V	CH	DD106-979CH470J50	K26170195	
C 7034	CERAMIC CAP.	0.047uF	50V	F	DD110F473Z50	K13179009	
C 7035	CERAMIC CAP.	0.047uF	50V	F	DD110F473Z50	K13179009	
C 7036	AL. ELECTRO. CAP.	100uF	50V		RE2-50V101M	K40179032	
C 7037	AL. ELECTRO. CAP.	470uF	35V		RE2-35V471M	K40169026	
C 7041	CERAMIC CAP.	0.01uF	50V	F	DD106F103Z50	K13179008	
C 7042	CERAMIC CAP.	0.047uF	50V	F	DD110F473Z50	K13179009	
C 7043	CERAMIC CAP.	0.047uF	50V	F	DD110F473Z50	K13179009	
C 7044	AL. ELECTRO. CAP.	10uF	16V		RE2-16V100MMA	K40129004	
C 7045	CERAMIC CAP.	0.047uF	50V	F	DD110F473Z50	K13179009	
C 7046	AL. ELECTRO. CAP.	10uF	16V		RE2-16V100MMA	K40129004	
C 7047	CERAMIC CAP.	0.047uF	50V	F	DD110F473Z50	K13179009	
C 7048	CERAMIC CAP.	0.047uF	50V	F	DD110F473Z50	K13179009	
C 7049	CERAMIC CAP.	0.047uF	50V	F	DD110F473Z50	K13179009	
C 7050	AL. ELECTRO. CAP.	470uF	35V		RE2-35V471M	K40169026	
D 7001	DIODE				1S1555	G2015550	
D 7002	DIODE				1S1588	G2015880	
D 7003	DIODE				10E6	G2090706	
D 7004	DIODE				10E6	G2090706	
D 7005	DIODE				10E6	G2090706	
D 7006	DIODE				10E6	G2090706	
J 7001	CONNECTOR				TMP-J01X-A2	P1090255	
J 7002	CONNECTOR				JPJ2545-01-510	P1090633	
J 7003	CONNECTOR				SC25-02WL	P0090712	
J 7004	Y-105				Y-105	S5000091	
J 7005	Y-105				Y-105	S5000091	
J 7006	CONNECTOR				SC25-05WL	P0090638	
J 7007	CONNECTOR				SC25-02WL	P0090712	
L 7001	M. RFC	10uH			LAL03NA100K	L1190148	
L 7002	M. RFC	1.5uH			LAL03NA1R5M	L1190197	
L 7003	RFC				43T0.16 4X9CB-20	L1020666A	
L 7004	RFC				FB-43-5111	L1020015	
L 7005	RFC				22T0.32 4X10	L1020394	
L 7006	RFC				22T0.32 4X10	L1020394	
L 7007	RFC				FB-43-5111	L1020015	
L 7008	COIL	41uH			41.00U 3A FR9.5-5	L0021432	

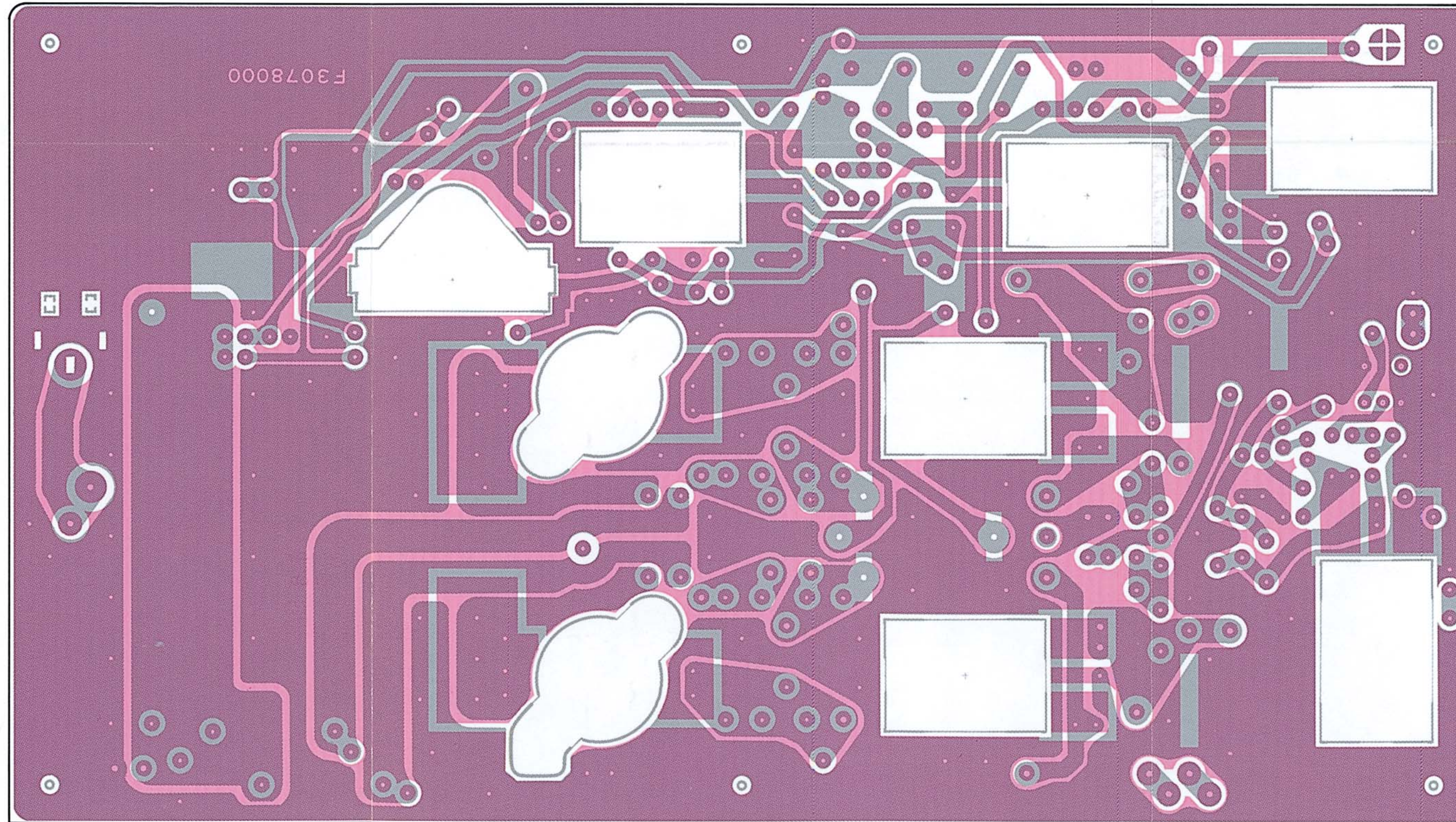
PA Unit Parts List

REF.	DESCRIPTION	VALUE	WV	TOL.	MFGR'S DESIG	YAESU P/N	VERS.
L 7009	RFC				3A RI5.8X6.4-2	L1020728	
L 7010	RFC				3A RI5.8X6.4-2	L1020728	
L 7011	RFC				43TO.16 4X9CB-20	L1020666A	
Q 7001	TRANSISTOR				2SC2166	G3321660	
Q 7002	TRANSISTOR				MRF486	G3090092	
Q 7003	TRANSISTOR				MRF486	G3090092	
Q 7004	TRANSISTOR				MRF422	G3090059	
Q 7005	TRANSISTOR				MRF422	G3090059	
Q 7006	TRANSISTOR				2SD882Q	G3408820Q	
Q 7007	TRANSISTOR				2SD882Q	G3408820Q	
Q 7008	IC				MC7808CT	G1090945	
Q 7009	TRANSISTOR				2SA1283D	G3112830D	
Q 7010	TRANSISTOR				BA1A4P	G3090079	
R 7001	METAL FILM RES.	68	2W	10%	RS2B 2W K 68	J20336680	
R 7002	CARBON FILM RES.	330	1/6W	5%	RD16UJ331	J02225331	
R 7003	CARBON FILM RES.	100	1/6W	5%	RD16UJ101	J02225101	
R 7004	CARBON FILM RES.	2.2	1/2W	5%	RD12TJ2R2	J01275229	
R 7005	CARBON FILM RES.	470	1/6W	5%	RD16UJ471	J02225471	
R 7006	CARBON FILM RES.	1.5	1/2W	5%	RD12TJ1R5	J01275159	
R 7007	CARBON FILM RES.	1.5	1/2W	5%	RD12TJ1R5	J01275159	
R 7008	CARBON FILM RES.	18	1/2W	5%	RD12TJ180	J01275180	
R 7009	CARBON FILM RES.	18	1/2W	5%	RD12TJ180	J01275180	
R 7010	METAL FILM RES.	220	1W	10%	RS1B 1W K 220	J20306221	
R 7011	METAL FILM RES.	220	1W	10%	RS1B 1W K 220	J20306221	
R 7012	CARBON FILM RES.	150	1/6W	5%	RD16PJ151	J01225151	
R 7013	METAL FILM RES.	68	2W	10%	RS2B 2W K 68	J20336680	
R 7014	CEMENT RES.	2.7	10W	10%	ERF-10AK2R7	J30406279	
R 7015	METAL FILM RES.	3.3	1W	10%	RS1B 1W K 3.3	J20306339	
R 7016	METAL FILM RES.	3.3	1W	10%	RS1B 1W K 3.3	J20306339	
R 7017	METAL FILM RES.	3.3	1W	10%	RS1B 1W K 3.3	J20306339	
R 7018	METAL FILM RES.	3.3	1W	10%	RS1B 1W K 3.3	J20306339	
R 7019	METAL FILM RES.	10	1W	10%	RS1B 1W K 10	J20306100	
R 7020	METAL FILM RES.	10	1W	10%	RS1B 1W K 10	J20306100	
R 7021	METAL FILM RES.	4.7	2W	5%	ERX-2SJ4R7	J22335479	
R 7022	METAL FILM RES.	4.7	2W	5%	ERX-2SJ4R7	J22335479	
R 7023	METAL FILM RES.	4.7	2W	5%	ERX-2SJ4R7	J22335479	
R 7024	METAL FILM RES.	4.7	2W	5%	ERX-2SJ4R7	J22335479	
R 7025	CARBON FILM RES.	100	1/4W	5%	RD14SJ101	J02245101	
R 7026	CARBON FILM RES.	68	1/6W	5%	RD16UJ680	J02225680	
R 7027	SHUNT RES.	0.025		5%	RO25 J	J32009004	
R 7028	CARBON FILM RES.	10K	1/4W	5%	RD14SJ103	J02245103	
R 7029	METAL FILM RES.	5.6K	1/10W	0.1%	RN92E2A5.6KB	J29209001	
R 7030	METAL FILM RES.	5.6K	1/10W	0.1%	RN92E2A5.6KB	J29209001	
R 7031	CARBON FILM RES.	1K	1/4W	5%	RD14SJ102	J02245102	
R 7032	CARBON FILM RES.	10K	1/6W	5%	RD16UJ103	J02225103	
R 7033	CARBON FILM RES.	1K	1/6W	5%	RD16UJ102	J02225102	
T 7001	COIL				4-1 2001F FR6	L0021351	
T 7002	COIL				- 3A6 RIB4X7	L0021969	
T 7003	COIL				D12A RIB10X	L0021970A	
T 7004	COIL				D12A TR16	L0022068	
T 7005	COIL				D12A RIB21X	L0021971A	
TP7001	WRAPPING TERMINAL				C	Q5000011	
TP7002	WRAPPING TERMINAL				C	Q5000011	
TP7003	WRAPPING TERMINAL				C	Q5000011	
TP7004	WRAPPING TERMINAL				C	Q5000011	
TP7005	WRAPPING TERMINAL				C	Q5000011	
TP7006	WRAPPING TERMINAL				C	Q5000011	
TS7001	THERMAL GUARD OHD3-6				OHD3-60M	N7090041	
VR7001	POT.	470B			H1052A	J50709471	
VR7002	POT.	470B			H1052A	J50709471	
	MYLAR SHEET				TO-220	Q9000030	
	INSULATOR BOARD (2pcs)				G-13	Q9000087	
	INSULATOR				AC-316A	Q9000125	
	EARTH PLATE					R0134980A	
	PRESS BOARD					R7514200	
	FITTING PA (2pcs)					R0514000A	
	HEATSINK PA					R5513950	

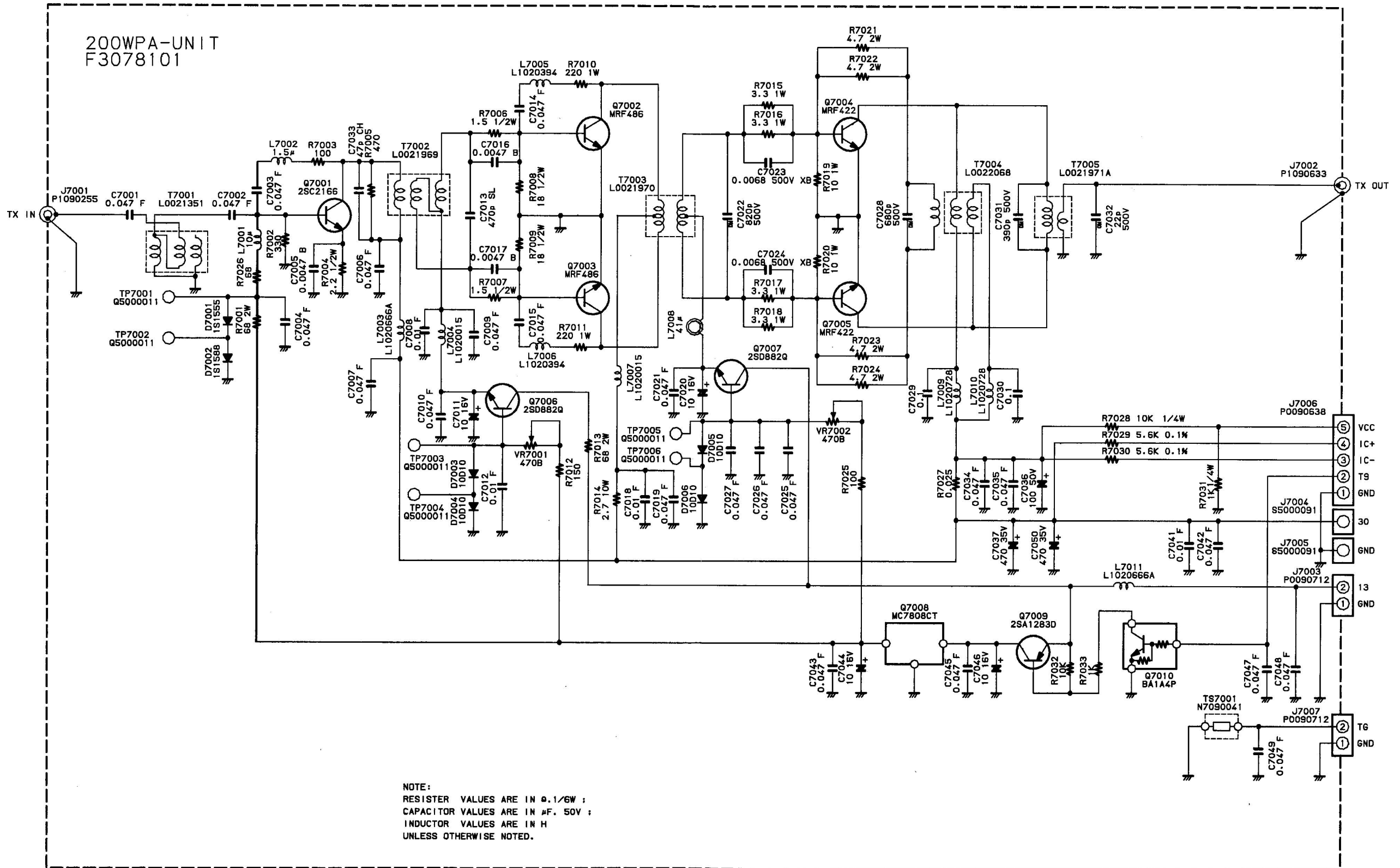


(obverse view of "component" side)





(obverse view of "solder" side)

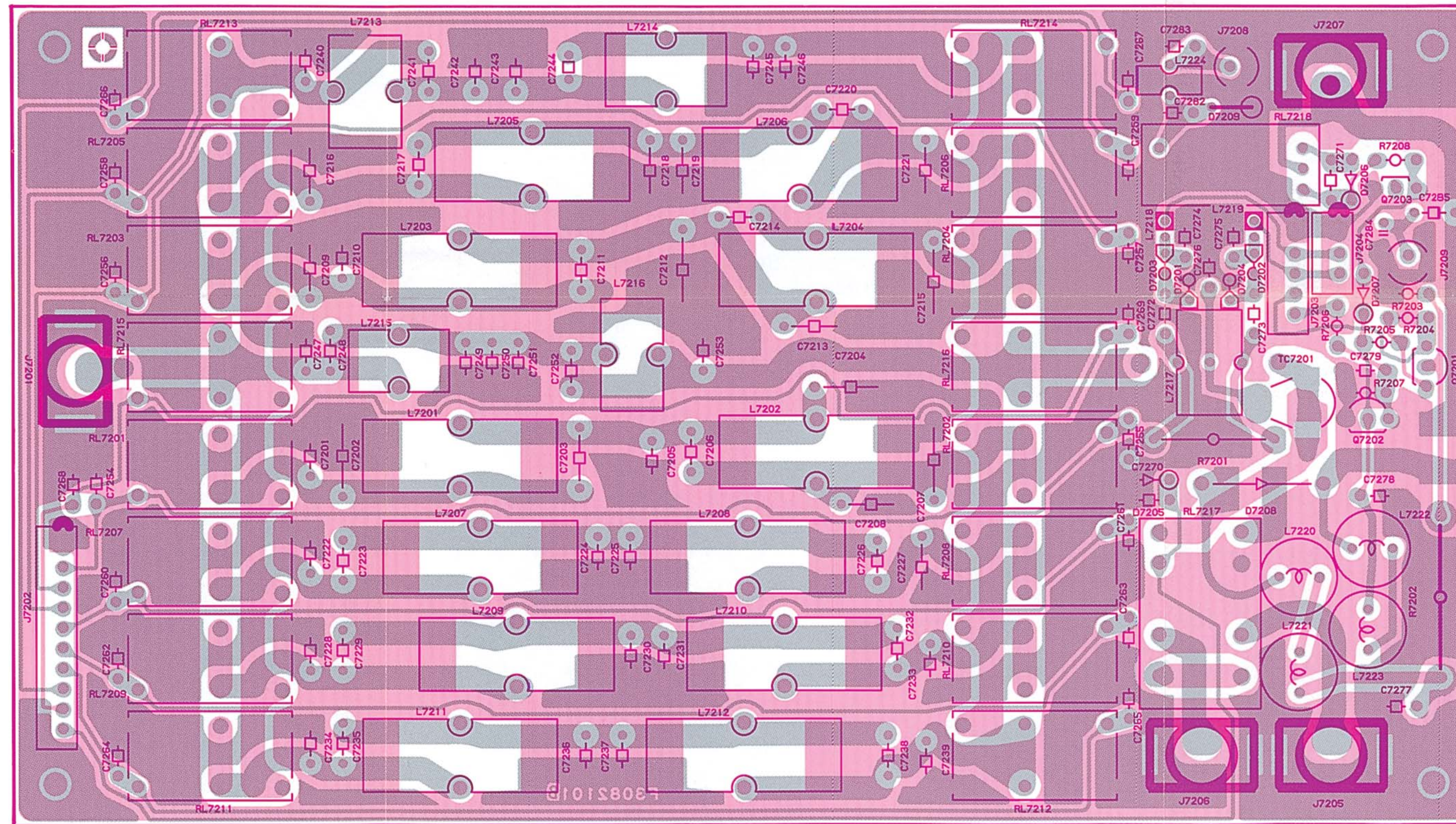


LPF Unit Parts List

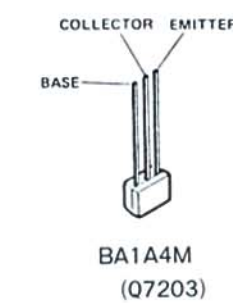
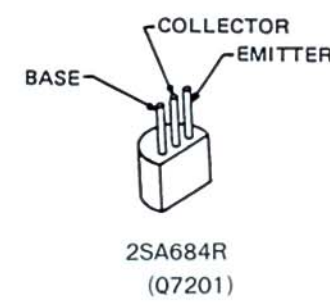
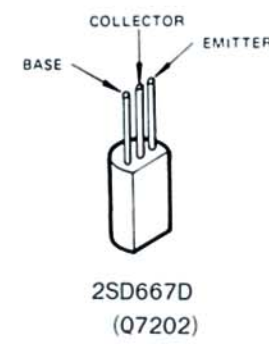
REF.	DESCRIPTION	VALUE	WV	TOL.	MFGR'S DESIG	YAESU P/N	VERS.
*** LPF UNIT ***							
PCB with Components (W/O SHIELD CASE LPF)						CS0863001	
Printed Circuit Board						F3082101B	
C 7201	MICA CAP.	0.001uF	500V		LCQ21102J5	K30275102	
C 7202	MICA CAP.	330pF	500V		LCQ17331J5	K30275331	
C 7203	MICA CAP.	560pF	500V		LCQ18561J5	K30275561	
C 7204	MICA CAP.	0.0022uF	500V		DM19D222J5	K30279098	
C 7205	MICA CAP.	300pF	500V		LCQ17301J5	K30275301	
C 7206	MICA CAP.	160pF	500V		LCQ17161J5	K30275161	
C 7207	MICA CAP.	0.001uF	500V		LCQ21102J5	K30275102	
C 7208	MICA CAP.	560pF	500V		LCQ18561J5	K30275561	
C 7209	MICA CAP.	470pF	500V		LCQ17471J5	K30275471	
C 7210	MICA CAP.	270pF	500V		LCQ17271J5	K30275271	
C 7211	MICA CAP.	360pF	500V		LCQ17361J5	K30275361	
C 7212	MICA CAP.	0.001uF	500V		LCQ21102J5	K30275102	
C 7213	MICA CAP.	560pF	500V		LCQ18561J5	K30275561	
C 7214	MICA CAP.	150pF	500V		LCQ17151J5	K30275151	
C 7215	MICA CAP.	910pF	500V		LCQ21911J5	K30275911	
C 7216	MICA CAP.	620pF	500V		LCQ18621J5	K30275621	
C 7217	MICA CAP.	300pF	500V		LCQ17301J5	K30275301	
C 7218	MICA CAP.	750pF	500V		LCQ18751J5	K30275751	
C 7219	MICA CAP.	470pF	500V		LCQ17471J5	K30275471	
C 7220	MICA CAP.	120pF	500V		LCQ17121J5	K30275121	
C 7221	MICA CAP.	750pF	500V		LCQ18751J5	K30275751	
C 7222	MICA CAP.	360pF	500V		LCQ17361J5	K30275361	
C 7223	MICA CAP.	150pF	500V		LCQ17151J5	K30275151	
C 7224	MICA CAP.	470pF	500V		LCQ17471J5	K30275471	
C 7225	MICA CAP.	220pF	500V		LCQ17221J5	K30275221	
C 7226	MICA CAP.	36pF	500V		LCQ12360J5	K30275360	
C 7227	MICA CAP.	430pF	500V		LCQ17431J5	K30275431	
C 7228	MICA CAP.	220pF	500V		LCQ17221J5	K30275221	
C 7229	MICA CAP.	82pF	500V		LCQ12820J5	K30275820	
C 7230	MICA CAP.	270pF	500V		LCQ17271J5	K30275271	
C 7231	MICA CAP.	240pF	500V		LCQ17241J5	K30275241	
C 7232	MICA CAP.	33pF	500V		LCQ12330J5	K30275330	
C 7233	MICA CAP.	220pF	500V		LCQ17221J5	K30275221	
C 7234	MICA CAP.	150pF	500V		LCQ17151J5	K30275151	
C 7235	MICA CAP.	56pF	500V		LCQ12560J5	K30275560	
C 7236	MICA CAP.	200pF	500V		LCQ17201J5	K30275201	
C 7237	MICA CAP.	200pF	500V		LCQ17201J5	K30275201	
C 7238	MICA CAP.	20pF	500V		LCQ12200J5	K30275200	
C 7239	MICA CAP.	200pF	500V		LCQ17201J5	K30275201	
C 7240	MICA CAP.	82pF	500V		LCQ12820J5	K30275820	
C 7241	MICA CAP.	56pF	500V		LCQ12560J5	K30275560	
C 7242	MICA CAP.	160pF	500V		LCQ17161J5	K30275161	
C 7243	MICA CAP.	110pF	500V		LCQ17111J5	K30275111	
C 7244	MICA CAP.	18pF	500V		LCQ11180J5	K30275180	
C 7245	MICA CAP.	100pF	500V		LCQ12101J5	K30275101	
C 7246	MICA CAP.	39pF	500V		LCQ12390J5	K30275390	
C 7247	MICA CAP.	68pF	500V		LCQ12680J5	K30275680	
C 7248	MICA CAP.	47pF	500V		LCQ12470J5	K30275470	
C 7249	MICA CAP.	56pF	500V		LCQ12560J5	K30275560	
C 7250	MICA CAP.	56pF	500V		LCQ12560J5	K30275560	
C 7251	MICA CAP.	56pF	500V		LCQ12560J5	K30275560	
C 7252	MICA CAP.	22pF	500V		LCQ12220J5	K30275220	
C 7253	MICA CAP.	56pF	500V		LCQ12560J5	K30275560	
C 7254	CERAMIC CAP.	0.047uF	50V	F	UP050F473Z-A-B	K28179002	
C 7255	CERAMIC CAP.	0.047uF	50V	F	UP050F473Z-A-B	K28179002	
C 7256	CERAMIC CAP.	0.047uF	50V	F	UP050F473Z-A-B	K28179002	
C 7257	CERAMIC CAP.	0.047uF	50V	F	UP050F473Z-A-B	K28179002	
C 7258	CERAMIC CAP.	0.047uF	50V	F	UP050F473Z-A-B	K28179002	
C 7259	CERAMIC CAP.	0.047uF	50V	F	UP050F473Z-A-B	K28179002	
C 7260	CERAMIC CAP.	0.047uF	50V	F	UP050F473Z-A-B	K28179002	
C 7261	CERAMIC CAP.	0.047uF	50V	F	UP050F473Z-A-B	K28179002	
C 7262	CERAMIC CAP.	0.047uF	50V	F	UP050F473Z-A-B	K28179002	
C 7263	CERAMIC CAP.	0.047uF	50V	F	UP050F473Z-A-B	K28179002	
C 7264	CERAMIC CAP.	0.047uF	50V	F	UP050F473Z-A-B	K28179002	
C 7265	CERAMIC CAP.	0.047uF	50V	F	UP050F473Z-A-B	K28179002	
C 7266	CERAMIC CAP.	0.047uF	50V	F	UP050F473Z-A-B	K28179002	
C 7267	CERAMIC CAP.	0.047uF	50V	F	UP050F473Z-A-B	K28179002	
C 7268	CERAMIC CAP.	0.047uF	50V	F	UP050F473Z-A-B	K28179002	
C 7269	CERAMIC CAP.	0.047uF	50V	F	UP050F473Z-A-B	K28179002	
C 7270	CERAMIC CAP.	0.047uF	50V	F	UP050F473Z-A-B	K28179002	
C 7271	CERAMIC CAP.	0.047uF	50V	F	UP050F473Z-A-B	K28179002	
C 7272	CERAMIC CAP.	0.01uF	50V	F	DD106-979F103Z50	K26170657	
C 7273	CERAMIC CAP.	0.01uF	50V	F	DD106-979F103Z50	K26170657	
C 7274	CERAMIC CAP.	0.01uF	50V	F	DD106-979F103Z50	K26170657	
C 7275	CERAMIC CAP.	0.01uF	50V	F	DD106-979F103Z50	K26170657	
C 7276	CERAMIC CAP.	200pF	50V	SL	DD106-979SL201J50	K26171036	
C 7277	CERAMIC CAP.	0.1uF	50V	X	UAU14X104KL86AS	K19179002	
C 7278	CERAMIC CAP.	0.1uF	50V	X	UAU14X104KL86AS	K19179002	
C 7279	CERAMIC CAP.	0.01uF	50V	F	DD106-979F103Z50	K26170657	
C 7282	CERAMIC CAP.	82pF	50V	SL	DD104-979SL820J50	K26171027	
C 7283	CERAMIC CAP.	100pF	50V	SL	DD105-979SL101J50	K26171029	

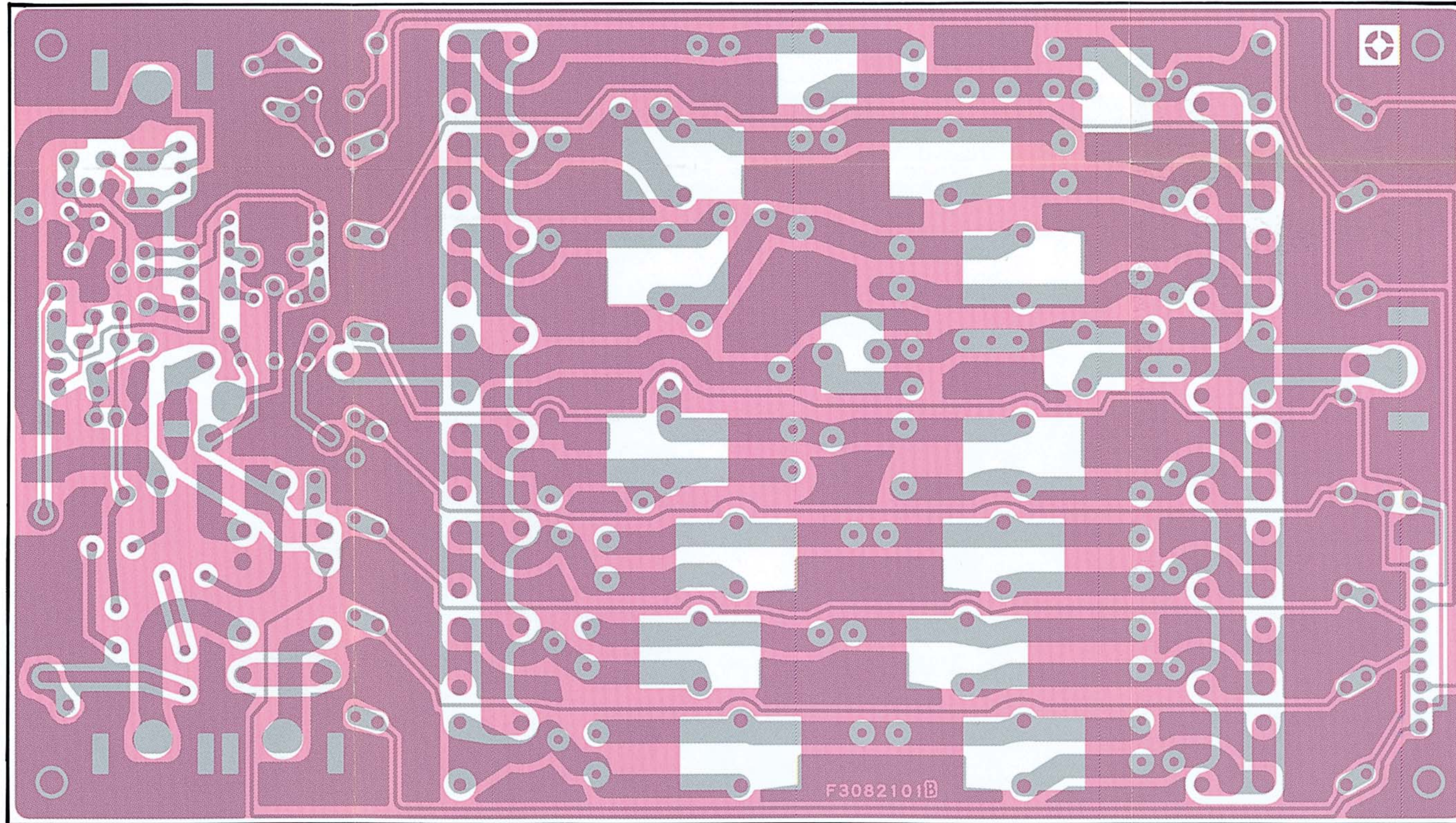
LPF Unit Parts List

REF.	DESCRIPTION	VALUE	WV	TOL.	MFGR'S DESIG	YAESU P/N	VERS.
C 7286	CERAMIC CAP.	0.01uF	16V	Y	EP050Y103N-A	K28129001	
C 7287	CHIP CAP.	0.1uF	200V	X7R	GRM43-2X7R104K200PT	K22237801	
C 7288	CHIP CAP.	0.1uF	200V	X7R	GRM43-2X7R104K200PT	K22237801	
D 7201	DIODE				1SS101	G2090223	
D 7202	DIODE				1SS101	G2090223	
D 7203	DIODE				1SS101	G2090223	
D 7204	DIODE				1SS101	G2090223	
D 7205	DIODE				1SS270TJ	G2060004	
D 7206	DIODE				1SS270TJ	G2060004	
D 7208	DIODE				U15J	G2090572	
D 7209	SURGE ABSORBER				DSP201M-S00B	Q9000375	
D 7210	DIODE				1SS270	G2090408	
J 7201	CONNECTOR				S-Q3063#01	P1090295	
J 7202	CONNECTOR				SC25-10WS	P0090629	
J 7203	CONNECTOR				SC25-05WS	P0090624	
J 7204	CONNECTOR				SC25-03WS	P0090622	
J 7205	CONNECTOR				S-Q3063#01	P1090295	
J 7206	CONNECTOR				S-Q3063#01	P1090295	
J 7207	CONNECTOR				S-Q3063#01	P1090295	
J 7208	CONNECTOR				TMP-J01X-V6	P1090210	
L 7201	COIL	3.74uH			3.74U T-80-2	L0021976	
L 7202	COIL	4.57uH			4.57U T-80-2	L0021977	
L 7203	COIL	2.55uH			2.55U T-80-2	L0021978	
L 7204	COIL	3.2uH			3.2U T-80-2	L0021979	
L 7205	COIL	1.55uH			1.55U T-80-2	L0021980	
L 7206	COIL	1.92uH			1.92U T-80-2	L0021981	
L 7207	COIL	0.97uH			0.97U T-80-2	L0021982	
L 7208	COIL	1.27uH			1.27U T-80-2	L0021983	
L 7209	COIL	0.74uH			0.74U T80-2	L0022100	
L 7210	COIL	0.91uH			0.91U T80-2	L0022101	
L 7211	COIL	0.54uH			0.54U T-80-6	L0021986	
L 7212	COIL	0.65uH			0.65U T-80-6	L0021987	
L 7213	COIL				6.0T11.5D1.2UEW R	L0021988A	
L 7214	COIL				6.0T12.5D1.2UEW R	L0021989A	
L 7215	COIL				5.0T10.0D1.2UEW R	L0021990A	
L 7216	COIL				5.0T11.5D1.2UEW R	L0021991A	
L 7217	COIL				U 2001F FR9.5	L0021956	
L 7218	M. RFC	1mH			LAL03NA102K	L1190189	
L 7219	M. RFC	1mH			LAL03NA102K	L1190189	
L 7220	M. RFC	470uH			FL9H471K	L1190384	
L 7221	M. RFC	470uH			FL9H471K	L1190384	
L 7222	M. RFC	470uH			FL9H471K	L1190384	
L 7223	M. RFC	470uH			FL9H471K	L1190384	
L 7224	COIL	0.24uH			0.240U T25-6	L0020898	
Q 7201	TRANSISTOR				2SA684R	G3106840R	
Q 7202	TRANSISTOR				2SD667D TZ	G3406674D	
Q 7203	TRANSISTOR				BN1A4M	G3090081	
R 7201	METAL FILM RES.	100	2W	5%	ERG-2SJ101 100	J22335101	
R 7202	METAL FILM RES.	82	3W	5%	ERG-3SJ820 82	J22355820	
R 7203	CARBON FILM RES.	2.2K	1/6W	5%	RD16TPJ222 2.2K	J07225222	
R 7204	CARBON FILM RES.	4.7K	1/6W	5%	RD16TPJ472 4.7K	J07225472	
R 7205	CARBON FILM RES.	4.7K	1/6W	5%	RD16TPJ472 4.7K	J07225472	
R 7206	CARBON FILM RES.	2.2K	1/6W	5%	RD16TPJ222 2.2K	J07225222	
R 7207	CARBON FILM RES.	22K	1/6W	5%	RD16TPJ223 22K	J07225223	
R 7209	CARBON FILM RES.	2.2K	1/6W	5%	RD16PJ222 2.2K	J01225222	
R 7210	METAL FILM RES.	100	1W	10%	RS1B 1W K 100	J20306101	
RL7201	RELAY		DC9V		AGP2017	M1190087	
RL7202	RELAY		DC9V		AGP2017	M1190087	
RL7203	RELAY		DC9V		AGP2017	M1190087	
RL7204	RELAY		DC9V		AGP2017	M1190087	
RL7205	RELAY		DC9V		AGP2017	M1190087	
RL7206	RELAY		DC9V		AGP2017	M1190087	
RL7207	RELAY		DC9V		AGP2017	M1190087	
RL7208	RELAY		DC9V		AGP2017	M1190087	
RL7209	RELAY		DC9V		AGP2017	M1190087	
RL7210	RELAY		DC9V		AGP2017	M1190087	
RL7211	RELAY		DC9V		AGP2017	M1190087	
RL7212	RELAY		DC9V		AGP2017	M1190087	
RL7213	RELAY		DC9V		AGP2017	M1190087	
RL7214	RELAY		DC9V		AGP2017	M1190087	
RL7215	RELAY		DC9V		AGP2017	M1190087	
RL7216	RELAY		DC9V		AGP2017	M1190087	
RL7217	RELAY		DC9V		FBR321D009	M1190088	
RL7218	RELAY		DC12V		TC-112NV	M1190104	
TC7201	TRIMMER CAP.	20pF			ECV12W20X32	K91000013	
	SHIELD CASE LPF					R0513900B	

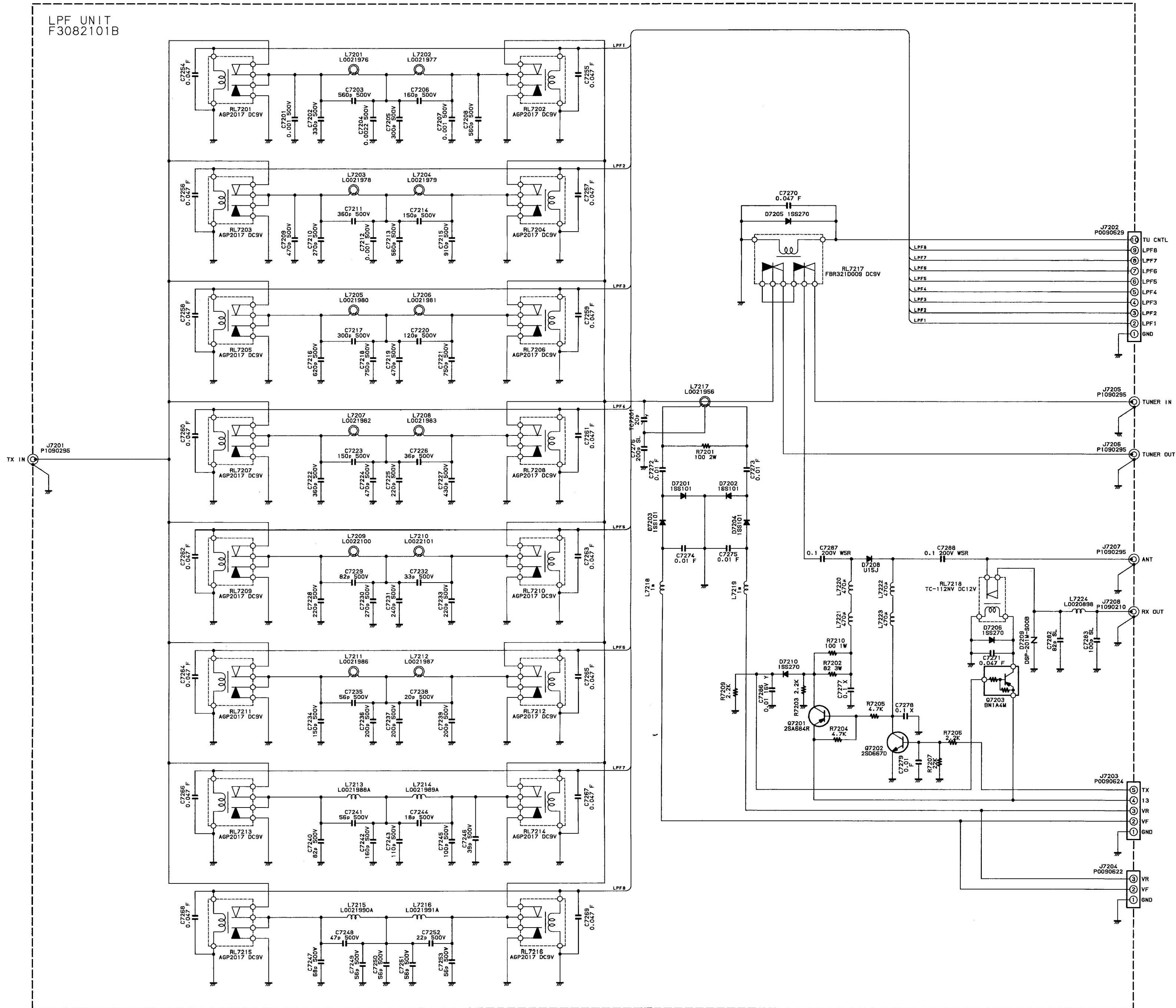


(obverse view of "component" side)



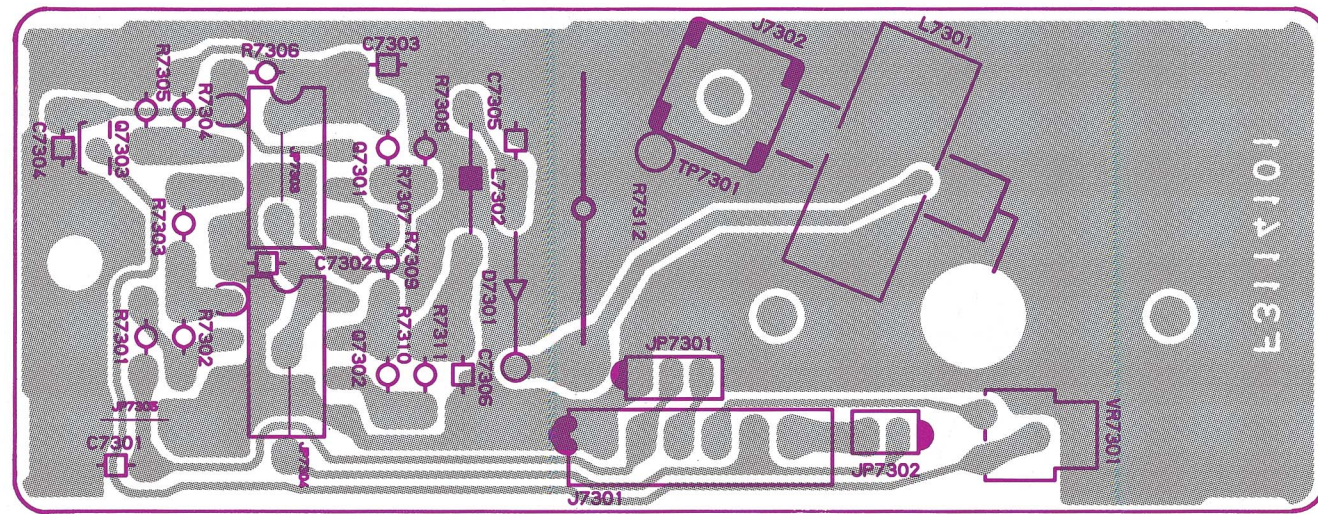


(obverse view of "solder" side)

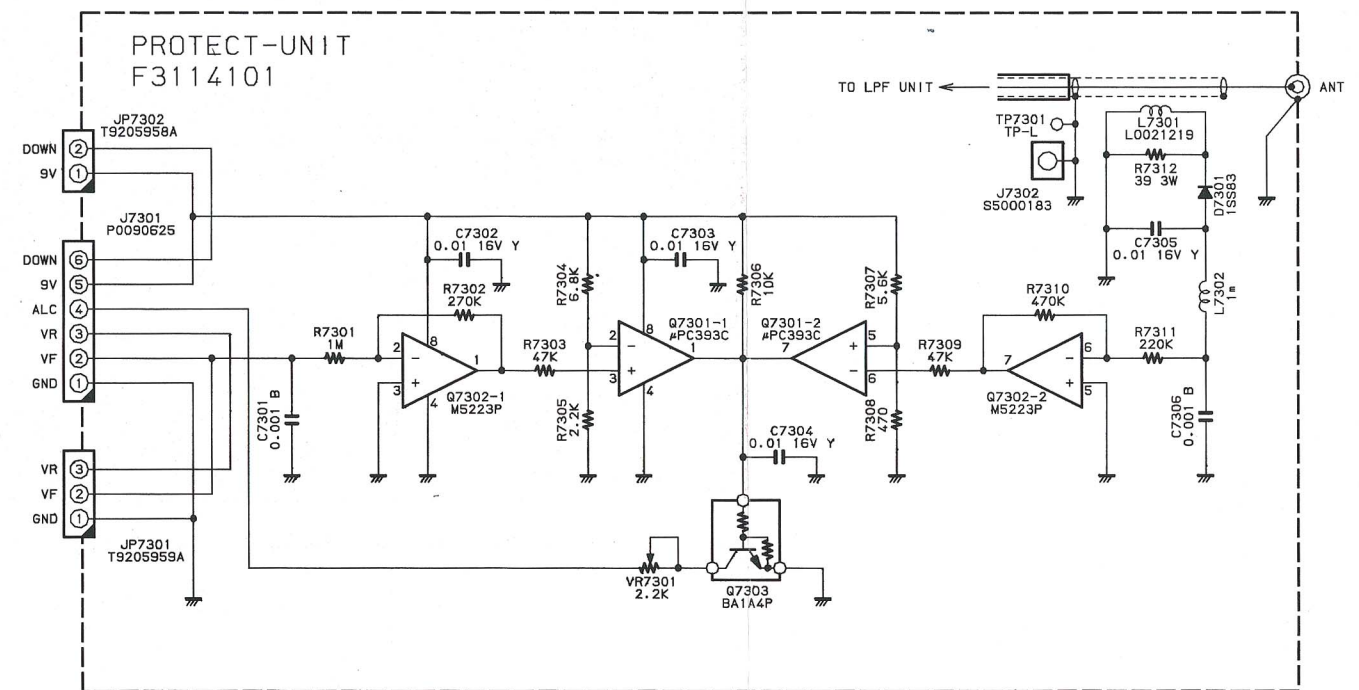


Protect Unit Parts List

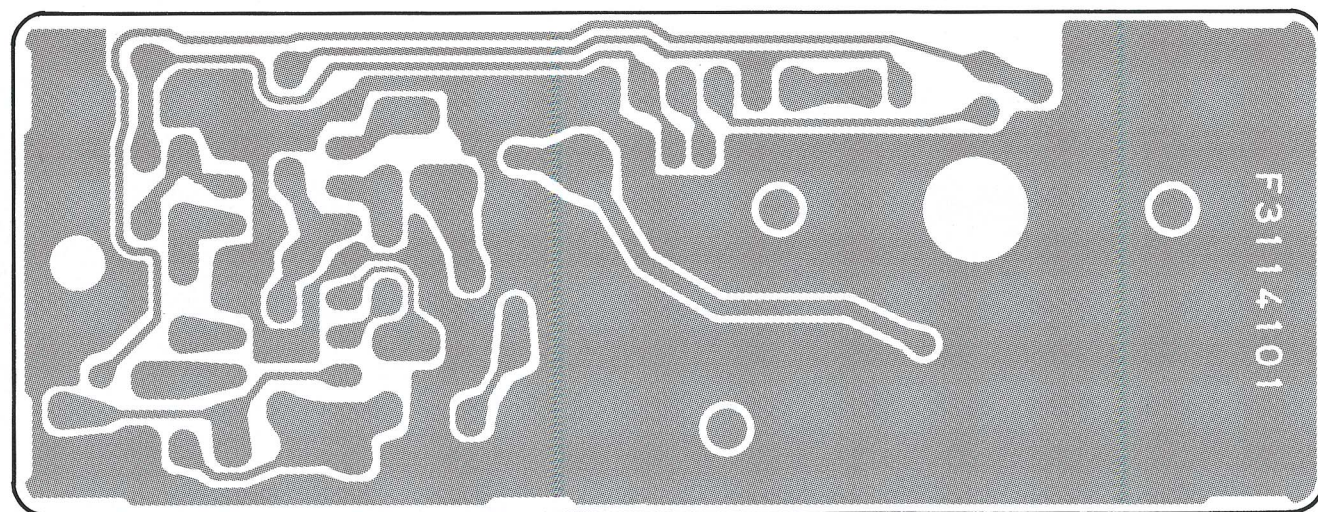
REF.	DESCRIPTION	VALUE	WV	TOL.	MFGR'S DESIG	YAESU P/N	VERS.
*** PROTECT UNIT ***							
	PCB with Components					CA0220001	
	Printed Circuit Board					F3114101	
C 7301	CERAMIC CAP.	0.001uF	50V	B	UP050B102K-A-B	K28179001	
C 7302	CERAMIC CAP.	0.01uF	16V	Y	EPO50Y103N-A	K28129001	
C 7303	CERAMIC CAP.	0.01uF	16V	Y	EPO50Y103N-A	K28129001	
C 7304	CERAMIC CAP.	0.01uF	16V	Y	EPO50Y103N-A	K28129001	
C 7305	CERAMIC CAP.	0.01uF	16V	Y	EPO50Y103N-A	K28129001	
C 7306	CERAMIC CAP.	0.001uF	50V	B	UP050B102K-A-B	K28179001	
D 7301	DIODE				1SS83	G2090340	
J 7301	CONNECTOR				SC25-06WS	P0090625	
J 7302	OT-00				OT-005	S5000183	
JP7301	WIRE-ASSY					T9205959A	
JP7302	WIRE-ASSY					T9205958A	
L 7301	COIL	1.89uH			1.890U 250L FR14	L0021219	
L 7302	M. RFC	1mH			LAL03TA102K	L1790119	
Q 7301	IC				UPC393C	G1090536	
Q 7302	IC				M5223AP	G1092953	
Q 7303	TRANSISTOR				BA1A4P	G3090079	
R 7301	CARBON FILM RES.	1M	1/6W	5%	RD16TPJ105 1M	J07225105	
R 7302	CARBON FILM RES.	270K	1/6W	5%	RD16TPJ274 270K	J07225274	
R 7303	CARBON FILM RES.	47K	1/6W	5%	RD16TPJ473 47K	J07225473	
R 7304	CARBON FILM RES.	6.8K	1/6W	5%	RD16TPJ682 6.8K	J07225682	
R 7305	CARBON FILM RES.	2.2K	1/6W	5%	RD16TPJ222 2.2K	J07225222	
R 7306	CARBON FILM RES.	10K	1/6W	5%	RD16TPJ103 10K	J07225103	
R 7307	CARBON FILM RES.	5.6K	1/6W	5%	RD16TPJ562 5.6K	J07225562	
R 7308	CARBON FILM RES.	470	1/6W	5%	RD16TPJ471 470	J07225471	
R 7309	CARBON FILM RES.	47K	1/6W	5%	RD16TPJ473 47K	J07225473	
R 7310	CARBON FILM RES.	470K	1/6W	5%	RD16TPJ474 470K	J07225474	
R 7311	CARBON FILM RES.	220K	1/6W	5%	RD16TPJ224 220K	J07225224	
R 7312	METAL FILM RES.	39	3W	5%	ERG-3SJ390 39	J22359001	
TP7301	TP-L				TP-L IPS-1139	Q5000051	
VR7301	POT.	2.2K			H0652A009-2.2K	J50770222	
	MINI CARD SPACER				MPS-08-0	S6000203	



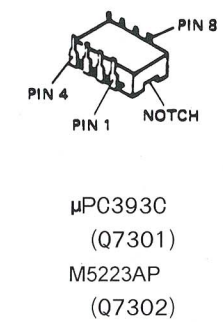
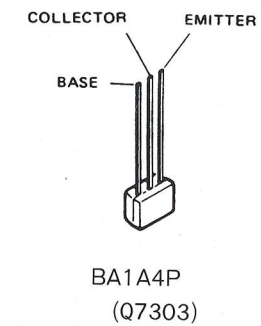
(obverse view of "component" side)



(schematic diagram)



(obverse view of "solder" side)

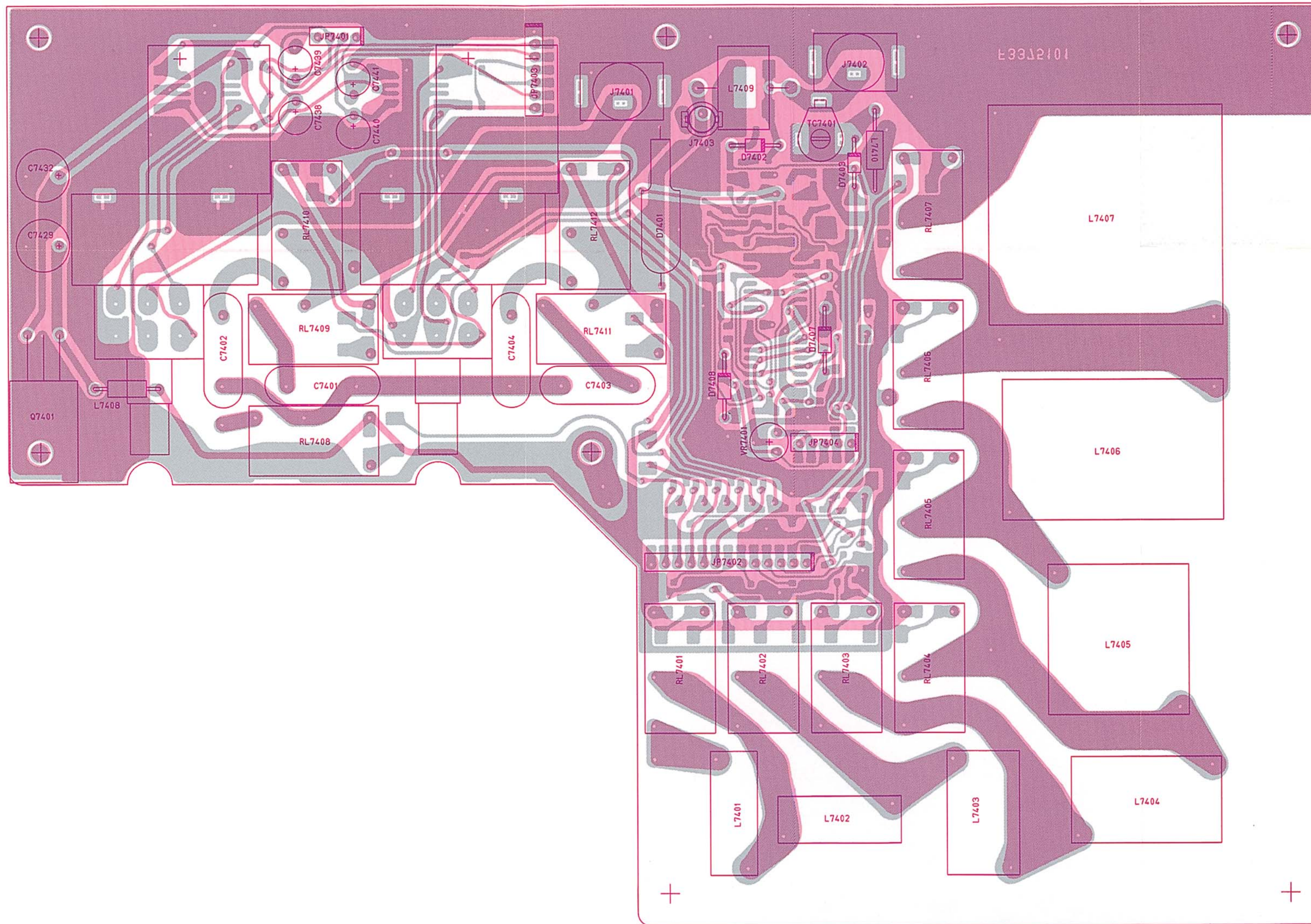


Tuner Main Unit Parts List

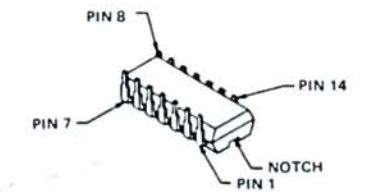
REF.	DESCRIPTION	VALUE	WV	TOL.	MFGR'S DESIG	YAESU P/N	VERS.
*** TUNER MAIN UNIT ***							
	PCB with Components (W/O VC7401, VC7402)				Lot. -32	CA0072004	
	PCB with Components (W/O VC7401, VC7402)				Lot. 33-	CP4421001	
	Printed Circuit Board					F3375101	
C 7401	MICA CAP.	200pF	3KV		DML4 201J30	K30355201	
C 7402	MICA CAP.	400pF	3KV		DML4 401J30	K30355401	
C 7403	MICA CAP.	200pF	3KV		DML4 201J30	K30355201	
C 7404	MICA CAP.	400pF	3KV		DML4 401J30	K30355401	
C 7405	CHIP CAP.	0.01uF	50V	B	GRM42-6B103M50PT	K22171813	
C 7406	CHIP CAP.	0.01uF	50V	B	GRM42-6B103M50PT	K22171813	
C 7407	CHIP CAP.	0.01uF	50V	B	GRM42-6B103M50PT	K22171813	
C 7408	CHIP CAP.	0.01uF	50V	B	GRM42-6B103M50PT	K22171813	
C 7409	CHIP CAP.	0.01uF	50V	B	GRM42-6B103M50PT	K22171813	
C 7410	CHIP CAP.	0.01uF	50V	B	GRM42-6B103M50PT	K22171813	
C 7411	CHIP CAP.	0.01uF	50V	B	GRM42-6B103M50PT	K22171813	
C 7412	CHIP CAP.	0.01uF	50V	B	GRM42-6B103M50PT	K22171813	
C 7413	CHIP CAP.	0.01uF	50V	B	GRM42-6B103M50PT	K22171813	
C 7414	CHIP CAP.	0.01uF	50V	B	GRM42-6B103M50PT	K22171813	
C 7415	CHIP CAP.	0.01uF	50V	B	GRM42-6B103M50PT	K22171813	
C 7416	CHIP CAP.	0.01uF	50V	B	GRM40B103M50PT	K22170817	
C 7417	CHIP CAP.	0.01uF	50V	B	GRM40B103M50PT	K22170817	
C 7418	CHIP CAP.	0.01uF	50V	B	GRM40B103M50PT	K22170817	
C 7419	CHIP CAP.	0.01uF	50V	B	GRM40B103M50PT	K22170817	
C 7420	CHIP CAP.	0.01uF	50V	B	GRM40B103M50PT	K22170817	
C 7421	CHIP CAP.	0.01uF	50V	B	GRM40B103M50PT	K22170817	
C 7422	CHIP CAP.	0.01uF	50V	B	GRM40B103M50PT	K22170817	
C 7423	CHIP CAP.	0.01uF	50V	B	GRM40B103M50PT	K22170817	
C 7424	CHIP CAP.	0.01uF	50V	B	GRM40B103M50PT	K22170817	
C 7425	CHIP CAP.	0.01uF	50V	B	GRM40B103M50PT	K22170817	
C 7426	CHIP CAP.	0.01uF	50V	B	GRM40B103M50PT	K22170817	
C 7427	CHIP CAP.	0.01uF	50V	B	GRM40B103M50PT	K22170817	
C 7428	CHIP CAP.	0.047uF	50V	F	GRM40F473Z50PT	K22171008	
C 7429	AL. ELECTRO. CAP.	330uF	16V		16V331M8X11TR5	K46120002	
C 7430	CHIP CAP.	0.047uF	50V	F	GRM40F473Z50PT	K22171008	
C 7431	CHIP CAP.	0.047uF	50V	F	GRM40F473Z50PT	K22171008	
C 7432	AL. ELECTRO. CAP.	330uF	16V		16V331M8X11TR5	K46120002	
C 7433	CHIP CAP.	0.047uF	50V	F	GRM40F473Z50PT	K22171008	
C 7434	CHIP CAP.	0.047uF	50V	F	GRM40F473Z50PT	K22171008	
C 7435	CHIP CAP.	0.047uF	50V	F	GRM40F473Z50PT	K22171008	
C 7436	CHIP CAP.	0.047uF	50V	F	GRM40F473Z50PT	K22171008	
C 7437	CHIP CAP.	0.047uF	50V	F	GRM40F473Z50PT	K22171008	
C 7438	AL. ELECTRO. CAP.	10uF	50V		50V100M5X11TR5	K46170021	
C 7439	AL. ELECTRO. CAP.	10uF	50V		50V100M5X11TR5	K46170021	
C 7440	AL. ELECTRO. CAP.	10uF	50V		50V100M5X11TR5	K46170021	
C 7441	AL. ELECTRO. CAP.	10uF	50V		50V100M5X11TR5	K46170021	
C 7442	CHIP CAP.	0.01uF	50V	B	GRM40B103M50PT	K22170817	
C 7443	CHIP CAP.	0.01uF	50V	B	GRM40B103M50PT	K22170817	
C 7444	CHIP CAP.	0.01uF	50V	B	GRM40B103M50PT	K22170817	
C 7445	CHIP CAP.	0.01uF	50V	B	GRM40B103M50PT	K22170817	
C 7446	CHIP CAP.	0.01uF	50V	B	GRM40B103M50PT	K22170817	
C 7447	CHIP CAP.	0.01uF	50V	B	GRM40B103M50PT	K22170817	
C 7448	CHIP CAP.	220pF	50V	CH	GRM40CH221J50PT	K22170243	
C 7449	CHIP CAP.	0.01uF	50V	B	GRM40B103M50PT	K22170817	
C 7450	CHIP CAP.	0.01uF	50V	B	GRM40B103M50PT	K22170817	
C 7451	CHIP CAP.	0.01uF	50V	B	GRM40B103M50PT	K22170817	
C 7452	CHIP CAP.	0.01uF	50V	B	GRM40B103M50PT	K22170817	
C 7453	CHIP CAP.	0.01uF	50V	B	GRM40B103M50PT	K22170817	
C 7454	CHIP CAP.	0.047uF	50V	F	GRM40F473Z50PT	K22171008	
C 7455	CHIP CAP.	0.01uF	50V	B	GRM40B103M50PT	K22170817	
C 7456	CHIP CAP.	0.01uF	50V	B	GRM40B103M50PT	K22170817	
C 7457	CHIP CAP.	0.01uF	50V	B	GRM40B103M50PT	K22170817	
C 7458	CHIP CAP.	0.01uF	50V	B	GRM40B103M50PT	K22170817	
C 7459	CHIP CAP.	0.01uF	50V	B	GRM40B103M50PT	K22170817	
C 7460	CHIP CAP.	0.047uF	50V	F	GRM40F473Z50PT	K22171008	
C 7461	CHIP CAP.	0.01uF	50V	B	GRM40B103M50PT	K22170817	
C 7462	CHIP CAP.	0.01uF	50V	B	GRM40B103M50PT	K22170817	
C 7463	CHIP CAP.	0.01uF	50V	B	GRM40B103M50PT	K22170817	
C 7464	CHIP CAP.	0.047uF	50V	F	GRM40F473Z50PT	K22171008	
C 7465	CHIP CAP.	0.01uF	50V	B	GRM40B103M50PT	K22170817	
C 7466	CHIP CAP.	0.01uF	50V	B	GRM40B103M50PT	K22170817	
C 7467	CHIP CAP.	0.01uF	50V	B	GRM40B103M50PT	K22170817	
C 7468	CHIP CAP.	0.01uF	50V	B	GRM40B103M50PT	K22170817	
C 7469	CHIP CAP.	0.01uF	50V	B	GRM40B103M50PT	K22170817	
C 7470	CHIP CAP.	0.01uF	50V	B	GRM40B103M50PT	K22170817	
C 7471	CHIP CAP.	0.01uF	50V	B	GRM40B103M50PT	K22170817	
C 7472	CHIP CAP.	0.01uF	50V	B	GRM40B103M50PT	K22170817	
C 7473	CHIP CAP.	0.01uF	50V	B	GRM40B103M50PT	K22170817	
C 7474	CHIP CAP.	0.01uF	50V	B	GRM40B103M50PT	K22170817	
C 7475	CHIP CAP.	0.01uF	50V	B	GRM40B103M50PT	K22170817	
C 7476	CHIP CAP.	0.01uF	50V	B	GRM40B103M50PT	K22170817	
C 7477	CHIP CAP.	0.01uF	50V	B	GRM40B103M50PT	K22170817	
C 7478	CHIP CAP.	0.01uF	50V	B	GRM40B103M50PT	K22170817	
C 7479	CHIP CAP.	0.01uF	50V	B	GRM40B103M50PT	K22170817	
C 7480	CHIP CAP.	0.01uF	50V	B	GRM40B103M50PT	K22170817	
C 7481	CHIP CAP.	0.01uF	50V	B	GRM40B103M50PT	K22170817	
C 7482	CHIP CAP.	0.01uF	50V	B	GRM40B103M50PT	K22170817	
C 7483	CHIP CAP.	0.01uF	50V	B	GRM40B103M50PT	K22170817	
C 7484	CHIP CAP.	0.01uF	50V	B	GRM40B103M50PT	K22170817	
C 7485	CHIP CAP.	0.01uF	50V	B	GRM40B103M50PT	K22170817	
C 7486	CHIP CAP.	0.01uF	50V	B	GRM40B103M50PT	K22170817	
C 7487	CHIP CAP.	0.01uF	50V	B	GRM40B103M50PT	K22170817	
C 7488	CHIP CAP.	0.01uF	50V	B	GRM40B103M50PT	K22170817	
C 7489	CHIP CAP.	0.01uF	50V	B	GRM40B103M50PT	K22170817	
C 7490	CHIP CAP.	0.047uF	50V	F	GRM40F473Z50PT	K22171008	
C 7491	CHIP CAP.	0.01uF	50V	B	GRM40B103M50PT	K22170817	
C 7492	CHIP CAP.	0.047uF	50V	F	GRM40F473Z50PT	K22171008	
C 7496	CHIP CAP.	0.01uF	50V	B	GRM42-6B103M50PT	K22171813	
D 7401	SURGE ABSORBER				DSA-301LA	Q9000371	
D 7402	DIODE				1SS101	G2090223	
D 7403	DIODE				1SS101	G2090223	
D 7404	DIODE				HSM2838-TR	G2070108	
D 7405	DIODE				O2CZ3.9Z TE85R	G2070144	
D 7407	DIODE				1SS97	G2090118	
D 7408	DIODE				1SS97	G2090118	
D 7409	DIODE				HSM2838-TR	G2070108	
D 7410	DIODE				HSM2838-TR	G2070108	
D 7411	DIODE				HSM2838-TR	G2070108	
D 7412	DIODE				HSM2838-TR	G2070108	
D 7413	DIODE				HSM2838-TR	G2070108	
D 7414	DIODE				HSM2838-TR	G2070108	
J 7401	CONNECTOR				S-Q3063#01	P1090295	

Tuner Main Unit Parts List

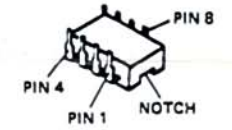
REF.	DESCRIPTION	VALUE	WV	TOL.	MFGR'S DESIG	YAESU P/N	VERS.
J 7402	CONNECTOR				S-Q3063#01	P1090295	
J 7403	CONNECTOR				TMP-J01X-V6	P1090210	
JP7401	WIRE-ASSY					T9206291A	
JP7402	WIRE-ASSY					T9206292	
JP7403	WIRE-ASSY					T9206293	
JP7404	WIRE-ASSY					T9206294	
L 7401	COIL				2. 5T15D2. OPVF R	L0021949	
L 7402	COIL				2. 5T15D2. OPVF R	L0021949	
L 7403	COIL				4. 5T15D2. OPVF R	L0021950	
L 7404	COIL				5. 5T19D2. OPVF R	L0021951	
L 7405	COIL				9. 5T19D2. OPVF R	L0021952	
L 7406	COIL				9. 5T30D2. OPVF R	L0021953	
L 7407	COIL				16. 5T30D2. OPVF R	L0021954	
L 7408	M. RFC	100uH			LAL03TA101K	L1790107	
L 7409	COIL	720uH			U 2001F FR9. 5	L0021955	
L 7410	M. RFC	1mH			LAL03TA102K	L1790119	
MO7401	MOTOR POT.				RK16312MA 50KB	Q9000563	
MO7402	MOTOR POT.				RK16312MA 50KB	Q9000563	
Q 7401	IC				HA17808P	G1090938	
Q 7402	IC				MB3763FF-G-BND-TF	G1091224	
Q 7403	IC				MB3763FF-G-BND-TF	G1091224	
Q 7404	FET				2SK160-T2B K5	G3801607E	
Q 7405	FET				2SK160-T2B K5	G3801607E	
Q 7406	TRANSISTOR				2SC4245 TE85R	G3342457	
Q 7407	TRANSISTOR				2SC4245 TE85R	G3342457	
Q 7408	IC				HD74AC00FP-TR	G1091226	
Q 7409	IC				HD74AC74FP-TR	G1091225	
Q 7410	TRANSISTOR				DTC114EK T96	G3070002	
Q 7411	TRANSISTOR				DTC114EK T96	G3070002	
Q 7412	TRANSISTOR				DTC114EK T96	G3070002	
Q 7413	TRANSISTOR				DTC114EK T96	G3070002	
Q 7414	TRANSISTOR				DTC114EK T96	G3070002	
Q 7415	TRANSISTOR				DTC114EK T96	G3070002	
Q 7416	TRANSISTOR				DTC114EK T96	G3070002	
Q 7417	TRANSISTOR				DTC114EK T96	G3070002	
Q 7418	TRANSISTOR				DTC114EK T96	G3070002	
Q 7419	TRANSISTOR				DTC114EK T96	G3070002	
Q 7420	TRANSISTOR				DTC114EK T96	G3070002	
Q 7421	TRANSISTOR				DTC114EK T96	G3070002	
Q 7422	TRANSISTOR				DTC114EK T96	G3070002	
R 7401	CHIP RES.	1K	1/10W	5%	RMC1/10T 102J	J24205102	
R 7402	CHIP RES.	1K	1/10W	5%	RMC1/10T 102J	J24205102	
R 7403	CHIP RES.	1K	1/10W	5%	RMC1/10T 102J	J24205102	
R 7404	CHIP RES.	1K	1/10W	5%	RMC1/10T 102J	J24205102	
R 7405	CHIP RES.	10K	1/10W	5%	RMC1/10T 103J	J24205103	
R 7406	CHIP RES.	180	1/10W	5%	RMC1/10T 181J	J24205181	
R 7407	CHIP RES.	180	1/10W	5%	RMC1/10T 181J	J24205181	
R 7408	CHIP RES.	100K	1/10W	5%	RMC1/10T 104J	J24205104	
R 7409	CHIP RES.	47	1/2W	5%	RMC1/2 470JCTP	J24275470	
R 7410	CHIP RES.	10K	1/10W	5%	RMC1/10T 103J	J24205103	
R 7411	CHIP RES.	100K	1/10W	5%	RMC1/10T 104J	J24205104	
R 7412	CHIP RES.	820	1/10W	5%	RMC1/10T 821J	J24205821	
R 7413	CHIP RES.	820	1/10W	5%	RMC1/10T 821J	J24205821	
R 7414	CHIP RES.	33K	1/10W	5%	RMC1/10T 333J	J24205333	
R 7415	CHIP RES.	1K	1/10W	5%	RMC1/10T 102J	J24205102	
R 7416	CHIP RES.	33K	1/10W	5%	RMC1/10T 333J	J24205333	
R 7417	CHIP RES.	1.5K	1/10W	5%	RMC1/10T 152J	J24205152	
R 7418	CHIP RES.	1.5K	1/10W	5%	RMC1/10T 152J	J24205152	
R 7419	CHIP RES.	100K	1/10W	5%	RMC1/10T 104J	J24205104	
R 7420	CHIP RES.	100K	1/10W	5%	RMC1/10T 104J	J24205104	
R 7421	CHIP RES.	1K	1/10W	5%	RMC1/10T 102J	J24205102	
R 7422	CHIP RES.	1K	1/10W	5%	RMC1/10T 102J	J24205102	
R 7423	CHIP RES.	100K	1/10W	5%	RMC1/10T 104J	J24205104	
R 7426	CHIP RES.	47K	1/10W	5%	RMC1/10T 473J	J24205473	
R 7427	CHIP RES.	1K	1/10W	5%	RMC1/10T 102J	J24205102	
R 7428	CHIP RES.	1K	1/10W	5%	RMC1/10T 102J	J24205102	
R 7429	CHIP RES.	10K	1/10W	5%	RMC1/10T 103J	J24205103	
R 7430	CHIP RES.	47K	1/10W	5%	RMC1/10T 473J	J24205473	
R 7431	CHIP RES.	1K	1/10W	5%	RMC1/10T 102J	J24205102	
R 7432	CHIP RES.	1K	1/10W	5%	RMC1/10T 102J	J24205102	
R 7433	CHIP RES.	100K	1/10W	5%	RMC1/10T 104J	J24205104	
R 7434	CHIP RES.	47	1/2W	5%	RMC1/2 470JCTP	J24275470	
R 7435	CHIP RES.	47	1/2W	5%	RMC1/2 470JCTP	J24275470	
R 7436	CHIP RES.	47	1/2W	5%	RMC1/2 470JCTP	J24275470	
R 7437	CHIP RES.	47	1/2W	5%	RMC1/2 470JCTP	J24275470	
R 7438	CHIP RES.	47	1/2W	5%	RMC1/2 470JCTP	J24275470	
R 7439	CHIP RES.	47	1/2W	5%	RMC1/2 470JCTP	J24275470	
R 7440	CHIP RES.	47	1/2W	5%	RMC1/2 470JCTP	J24275470	
R 7441	CHIP RES.	47	1/2W	5%	RMC1/2 470JCTP	J24275470	
R 7442	CHIP RES.	47	1/2W	5%	RMC1/2 470JCTP	J24275470	
R 7443	CHIP RES.	47	1/2W	5%	RMC1/2 470JCTP	J24275470	
R 7444	CHIP RES.	47	1/2W	5%	RMC1/2 470JCTP	J24275470	
R 7445	CHIP RES.	47	1/2W	5%	RMC1/2 470JCTP	J24275470	
R 7446	CHIP RES.	47	1/2W	5%	RMC1/2 470JCTP	J24275470	
R 7447	CHIP RES.	47	1/2W	5%	RMC1/2 470JCTP	J24275470	
RL7401	RELAY		DC12V		AGP2003	M1190075	
RL7402	RELAY		DC12V		AGP2003	M1190075	
RL7403	RELAY		DC12V		AGP2003	M1190075	
RL7404	RELAY		DC12V		AGP2003	M1190075	
RL7405	RELAY		DC12V		AGP2003	M1190075	
RL7406	RELAY		DC12V		AGP2003	M1190075	
RL7407	RELAY		DC12V		AGP2003	M1190075	
RL7408	RELAY		DC12V		AGP2003	M1190075	
RL7409	RELAY		DC12V		AGP2003	M1190075	
RL7410	RELAY		DC12V		AGP2003	M1190075	
RL7411	RELAY		DC12V		AGP2003	M1190075	
RL7412	RELAY		DC12V		AGP2003	M1190075	
TC7401	TRIMMER CAP.	10pF			ECV1ZW10X32	K91000012	
VC7401	TRIMMER CAP.	250pF			YB-250-065	K90000047	
VC7402	TRIMMER CAP.	250pF			YB-250-065	K90000047	
VR7401	POT.	47KB			H0651A017-47KB	J51745473	
	SHIELD PLATE					RO147410	



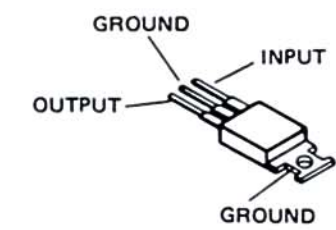
(obverse view of "component" side)



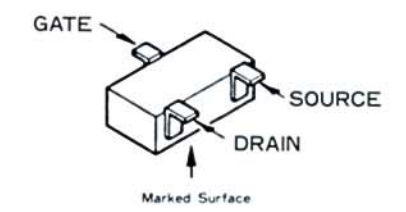
HD74AC74FP
(Q7409)
HD74AC00FP
(Q7408)



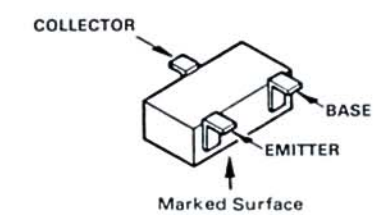
MB3763PF
(Q7402, Q7403)



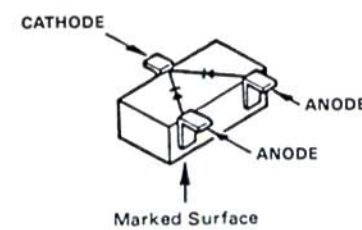
HA17808P
(Q7401)



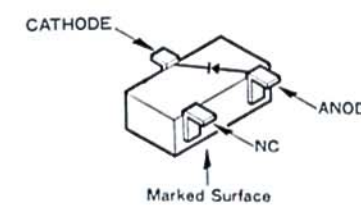
2SK160(K5)
(Q7404, Q7405)



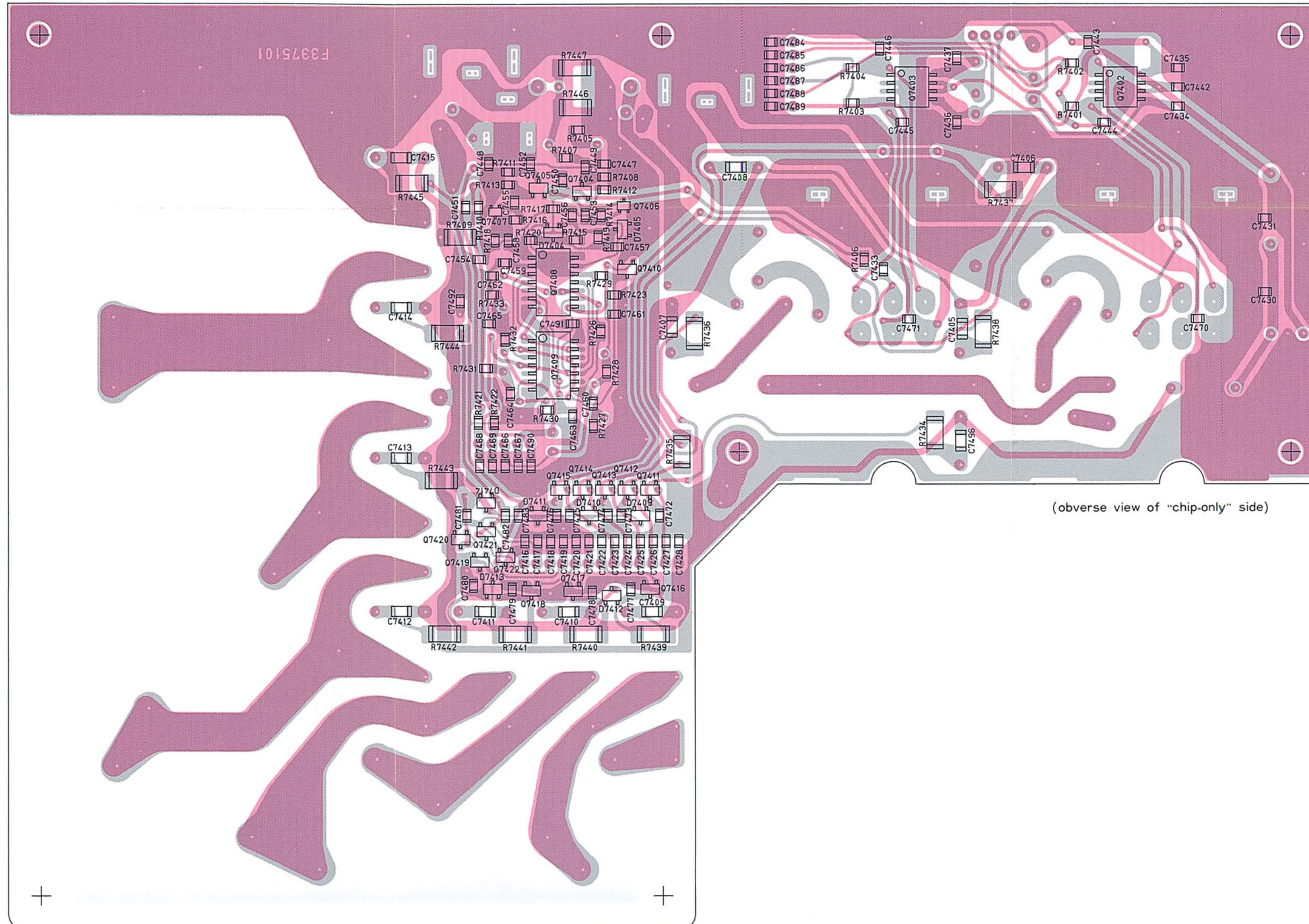
2SC4245(HB)
(Q7406, Q7407)
DTC114EK(24)
(Q7410, Q7411, Q7412,
Q7413, Q7414, Q7415,
Q7416, Q7417, Q7418,
Q7419, Q7420, Q7421,
Q7422)

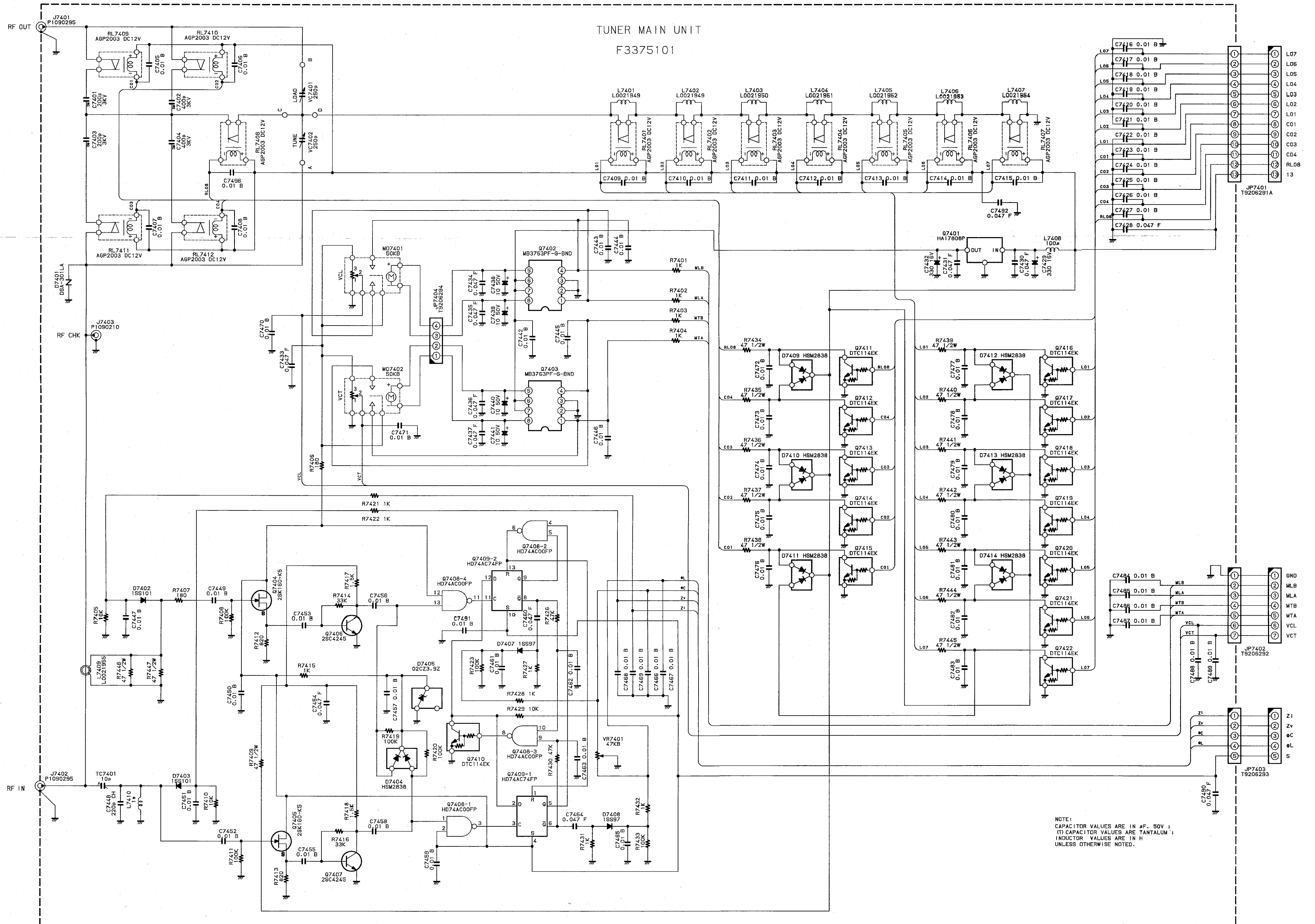


HSM2838(A6)
(D7404, D7409, D7410,
D7411, D7412, D7413,
D7414)



O2CZ3.9Z(3.9)
(D7405)





Tuner Control Unit Parts List

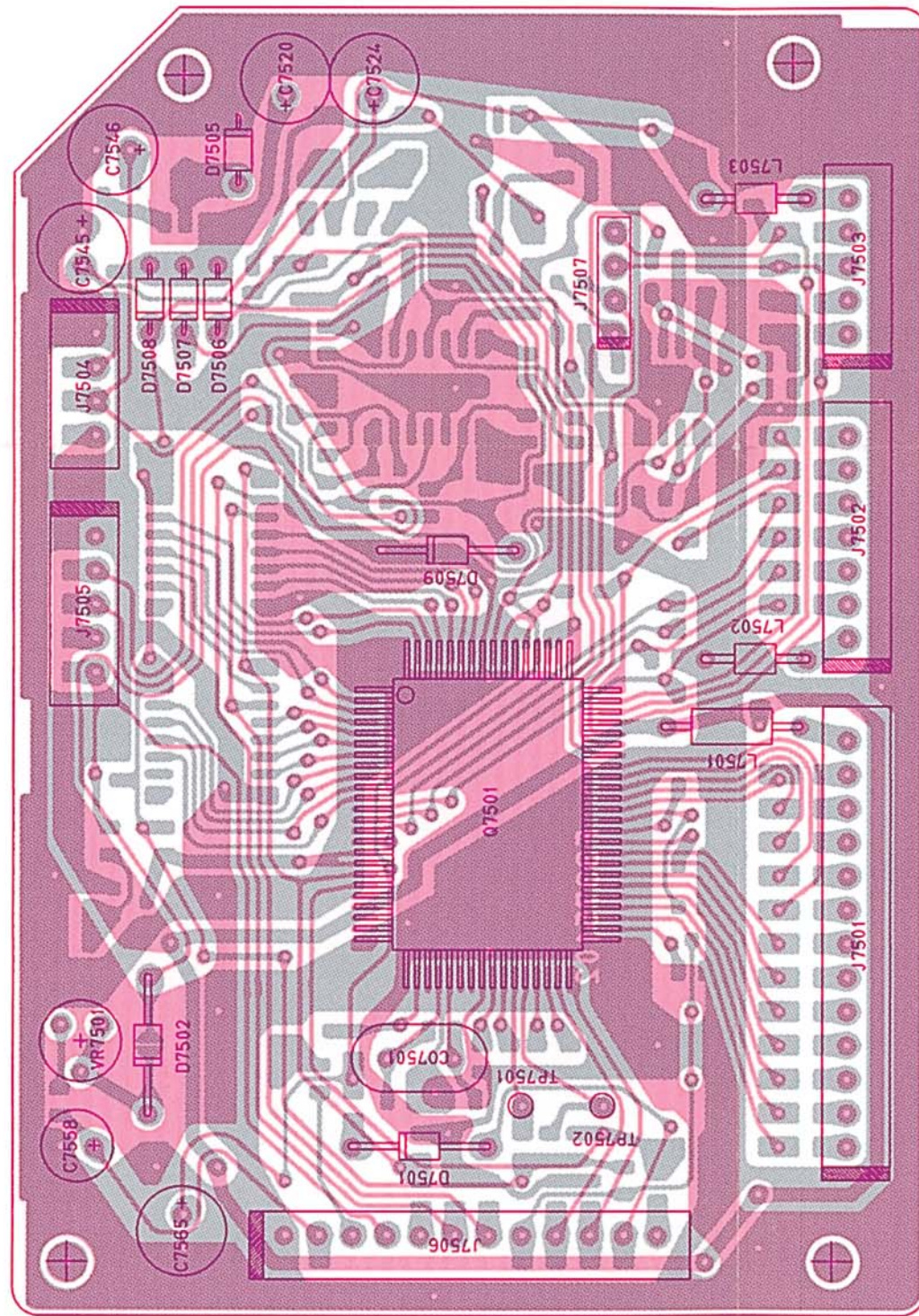
REF.	DESCRIPTION	VALUE	WV	TOL.	MFGR'S DESIG	YAESU P/N	VERS.
*** TUNER CNTL UNIT ***							
	PCB with Components	Lot. -32				CA0071001	
	PCB with Components	Lot. 33-				CP4422001	
	Printed Circuit Board					F3375102	
C 7501	CHIP CAP.	33pF	50V	RH	GRM40RH330J50PT	K22170523	
C 7502	CHIP CAP.	33pF	50V	RH	GRM40RH330J50PT	K22170523	
C 7503	CHIP CAP.	0.01uF	50V	B	GRM40B103M50PT	K22170817	
C 7504	CHIP CAP.	0.01uF	50V	B	GRM40B103M50PT	K22170817	
C 7505	CHIP CAP.	0.01uF	50V	B	GRM40B103M50PT	K22170817	
C 7506	CHIP CAP.	0.01uF	50V	B	GRM40B103M50PT	K22170817	
C 7507	CHIP CAP.	0.01uF	50V	B	GRM40B103M50PT	K22170817	
C 7508	CHIP CAP.	0.01uF	50V	B	GRM40B103M50PT	K22170817	
C 7509	CHIP CAP.	0.01uF	50V	B	GRM40B103M50PT	K22170817	
C 7510	CHIP CAP.	0.01uF	50V	B	GRM40B103M50PT	K22170817	
C 7511	CHIP CAP.	0.01uF	50V	B	GRM40B103M50PT	K22170817	
C 7512	CHIP CAP.	0.01uF	50V	B	GRM40B103M50PT	K22170817	
C 7513	CHIP CAP.	0.01uF	50V	B	GRM40B103M50PT	K22170817	
C 7514	CHIP CAP.	0.01uF	50V	B	GRM40B103M50PT	K22170817	
C 7515	CHIP CAP.	0.047uF	50V	F	GRM40F473Z50PT	K22171008	
C 7516	CHIP CAP.	0.047uF	50V	F	GRM40F473Z50PT	K22171008	
C 7517	CHIP CAP.	0.047uF	50V	F	GRM40F473Z50PT	K22171008	
C 7518	CHIP CAP.	0.01uF	50V	B	GRM40B103M50PT	K22170817	
C 7519	CHIP CAP.	0.01uF	50V	B	GRM40B103M50PT	K22170817	
C 7520	AL. ELECTRO. CAP.	100uF	16V		16V101M6X7TR2	K46120007	
C 7521	CHIP CAP.	0.01uF	50V	B	GRM40B103M50PT	K22170817	
C 7522	CHIP CAP.	0.01uF	50V	B	GRM40B103M50PT	K22170817	
C 7523	CHIP CAP.	0.047uF	50V	F	GRM40F473Z50PT	K22171008	
C 7524	AL. ELECTRO. CAP.	100uF	16V		16V101M6X7TR2	K46120007	
C 7525	CHIP CAP.	0.01uF	50V	B	GRM40B103M50PT	K22170817	
C 7526	CHIP CAP.	0.01uF	50V	B	GRM40B103M50PT	K22170817	
C 7527	CHIP CAP.	0.01uF	50V	B	GRM40B103M50PT	K22170817	
C 7528	CHIP CAP.	0.01uF	50V	B	GRM40B103M50PT	K22170817	
C 7529	CHIP CAP.	0.01uF	50V	B	GRM40B103M50PT	K22170817	
C 7530	CHIP CAP.	0.01uF	50V	B	GRM40B103M50PT	K22170817	
C 7531	CHIP CAP.	0.01uF	50V	B	GRM40B103M50PT	K22170817	
C 7532	CHIP CAP.	0.01uF	50V	B	GRM40B103M50PT	K22170817	
C 7533	CHIP CAP.	0.01uF	50V	B	GRM40B103M50PT	K22170817	
C 7534	CHIP CAP.	0.01uF	50V	B	GRM40B103M50PT	K22170817	
C 7535	CHIP CAP.	0.01uF	50V	B	GRM40B103M50PT	K22170817	
C 7536	CHIP CAP.	0.01uF	50V	B	GRM40B103M50PT	K22170817	
C 7537	CHIP CAP.	0.01uF	50V	B	GRM40B103M50PT	K22170817	
C 7538	CHIP CAP.	0.047uF	50V	F	GRM40F473Z50PT	K22171008	
C 7539	CHIP CAP.	0.01uF	50V	B	GRM40B103M50PT	K22170817	
C 7540	CHIP CAP.	0.047uF	50V	F	GRM40F473Z50PT	K22171008	
C 7541	CHIP CAP.	0.01uF	50V	B	GRM40B103M50PT	K22170817	
C 7542	TANTALUM CHIP CAP.	1uF	16V		TESVA1C105M1-8R	K78120009	
C 7543	TANTALUM CHIP CAP.	1uF	16V		TESVA1C105M1-8R	K78120009	
C 7544	CHIP CAP.	0.01uF	50V	B	GRM40B103M50PT	K22170817	
C 7545	AL. ELECTRO. CAP.	100uF	16V		16V101M6X7TR2	K46120007	
C 7546	AL. ELECTRO. CAP.	100uF	16V		16V101M6X7TR2	K46120007	
C 7547	CHIP CAP.	0.01uF	50V	B	GRM40B103M50PT	K22170817	
C 7548	CHIP CAP.	0.01uF	50V	B	GRM40B103M50PT	K22170817	
C 7549	CHIP CAP.	0.01uF	50V	B	GRM40B103M50PT	K22170817	
C 7550	CHIP CAP.	0.01uF	50V	B	GRM40B103M50PT	K22170817	
C 7551	CHIP CAP.	0.01uF	50V	B	GRM40B103M50PT	K22170817	
C 7552	CHIP CAP.	0.01uF	50V	B	GRM40B103M50PT	K22170817	
C 7553	CHIP CAP.	0.01uF	50V	B	GRM40B103M50PT	K22170817	
C 7554	CHIP CAP.	0.01uF	50V	B	GRM40B103M50PT	K22170817	
C 7555	CHIP CAP.	0.01uF	50V	B	GRM40B103M50PT	K22170817	
C 7556	CHIP CAP.	0.01uF	50V	B	GRM40B103M50PT	K22170817	
C 7557	CHIP CAP.	0.01uF	50V	B	GRM40B103M50PT	K22170817	
C 7558	AL. ELECTRO. CAP.	22uF	16V		16V220M5X7TR2	K46120005	
C 7559	CHIP CAP.	0.01uF	50V	B	GRM40B103M50PT	K22170817	
C 7560	CHIP CAP.	0.01uF	50V	B	GRM40B103M50PT	K22170817	
C 7561	CHIP CAP.	0.01uF	50V	B	GRM40B103M50PT	K22170817	
C 7562	CHIP CAP.	0.01uF	50V	B	GRM40B103M50PT	K22170817	
C 7563	CHIP CAP.	0.01uF	50V	B	GRM40B103M50PT	K22170817	
C 7564	CHIP CAP.	0.01uF	50V	B	GRM40B103M50PT	K22170817	

Tuner Control Unit Parts List

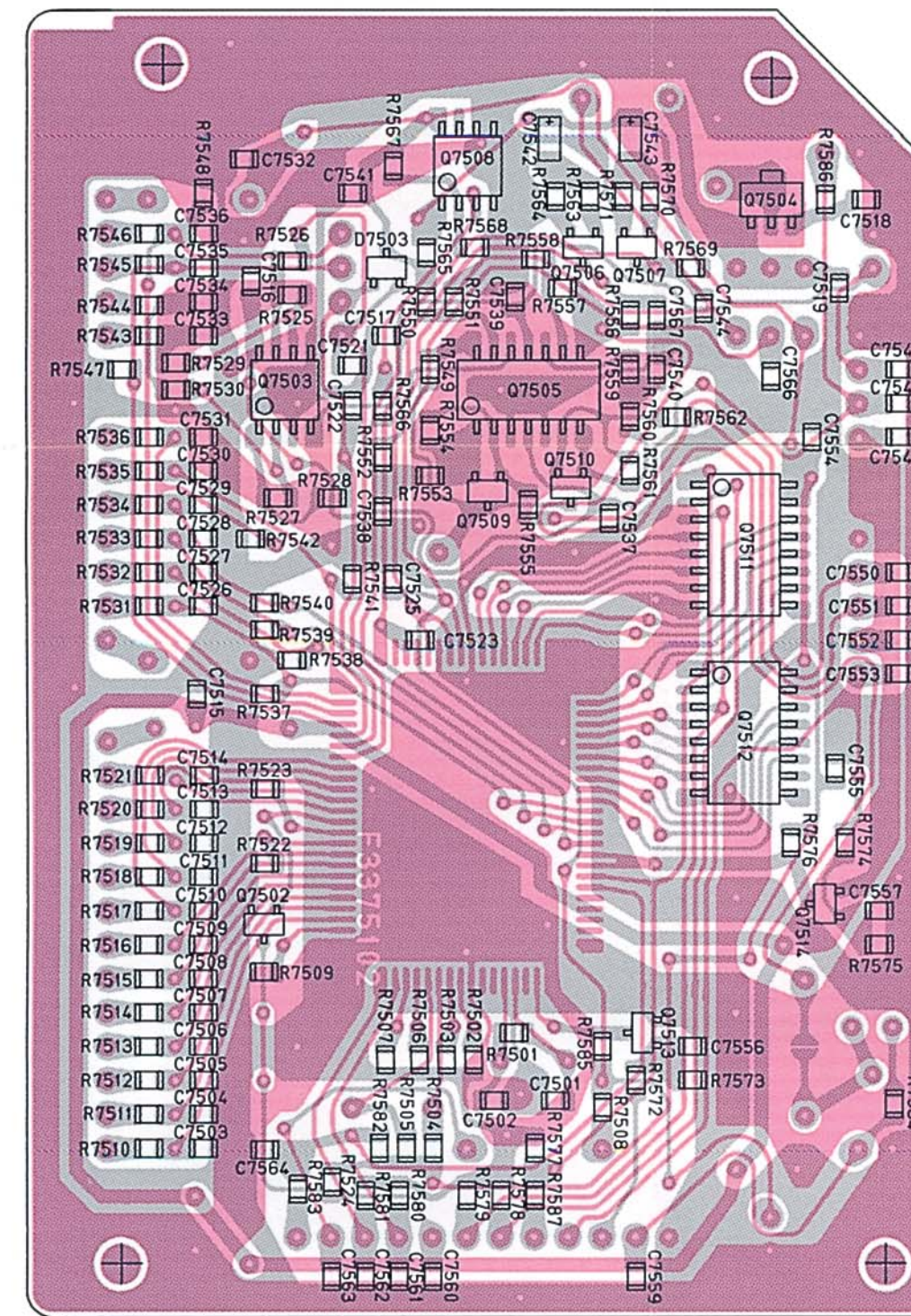
REF.	DESCRIPTION	VALUE	WV	TOL.	MFGR'S DESIG	YAESU P/N	VERS.
C 7565	AL. ELECTRO. CAP.	100uF	16V		16V101M6X7TR2	K46120007	
C 7566	CHIP CAP.	0.01uF	50V	B	GRM40B103M50PT	K22170817	
C 7567	CHIP CAP.	0.01uF	50V	B	GRM40B103M50PT	K22170817	
C07501	CERAMIC OSC				CSA8.00MT	H7900580	
D 7501	DIODE				1SS97	G2090118	
D 7502	DIODE				1SS270TJ	G2060004	
D 7503	DIODE				HSM2838-TR	G2070108	
D 7505	DIODE				1SS270TJ	G2060004	
D 7506	DIODE				1SS270TJ	G2060004	
D 7507	DIODE				1SS270TJ	G2060004	
D 7508	DIODE				1SS270TJ	G2060004	
D 7509	DIODE				1SS270TJ	G2060004	
J 7501	CONNECTOR				SC25-13WS	P0090632	
J 7502	CONNECTOR				SC25-07WS	P0090626	
J 7503	CONNECTOR				SC25-05WS	P0090624	
J 7504	CONNECTOR				SC25-04WS	P0090623	
J 7505	CONNECTOR				SC25-05WS	P0090624	
J 7506	CONNECTOR				SC25-12WS	P0090631	
J 7507	CONNECTOR				3022-04B	P0090523	
L 7501	M. RFC	22uH			LALO4NA220K	L1190327	
L 7502	M. RFC	22uH			LALO3TA220K	L1790099	
L 7503	M. RFC	22uH			LALO3TA220K	L1790099	
Q 7501	IC				M37450E4FP MY-050	G1091745	
Q 7502	TRANSISTOR				DTC114EK T96	G3070002	
Q 7503	IC				NJM2904M-TE2	G1093091	
Q 7504	IC				NJM78L05UA TE2	G1091325	
Q 7505	IC				NJM2902M-TE1	G1093092	
Q 7506	TRANSISTOR				2SC2712GR TE85R	G3327127G	
Q 7507	TRANSISTOR				2SC2712GR TE85R	G3327127G	
Q 7508	IC				NJM2903M-TE1	G1093090	
Q 7509	FET				2SK160-T2B K5	G3801607E	
Q 7510	FET				2SK160-T2B K5	G3801607E	
Q 7511	IC				TC4094BF TP2	G1091346	
Q 7512	IC				TC4094BF TP2	G1091346	
Q 7513	TRANSISTOR				2SC2712GR TE85R	G3327127G	
Q 7514	TRANSISTOR				2SC2712GR TE85R	G3327127G	
R 7501	CHIP RES.	1M	1/10W	5%	RMC1/10T 105J	J24205105	
R 7502	CHIP RES.	100K	1/10W	5%	RMC1/10T 104J	J24205104	
R 7503	CHIP RES.	100K	1/10W	5%	RMC1/10T 104J	J24205104	
R 7504	CHIP RES.	100K	1/10W	5%	RMC1/10T 104J	J24205104	
R 7505	CHIP RES.	100K	1/10W	5%	RMC1/10T 104J	J24205104	
R 7506	CHIP RES.	100K	1/10W	5%	RMC1/10T 104J	J24205104	
R 7507	CHIP RES.	100K	1/10W	5%	RMC1/10T 104J	J24205104	
R 7508	CHIP RES.	10K	1/10W	5%	RMC1/10T 103J	J24205103	
R 7509	CHIP RES.	100K	1/10W	5%	RMC1/10T 104J	J24205104	
R 7510	CHIP RES.	1K	1/10W	5%	RMC1/10T 102J	J24205102	
R 7511	CHIP RES.	1K	1/10W	5%	RMC1/10T 102J	J24205102	
R 7512	CHIP RES.	1K	1/10W	5%	RMC1/10T 102J	J24205102	
R 7513	CHIP RES.	1K	1/10W	5%	RMC1/10T 102J	J24205102	
R 7514	CHIP RES.	1K	1/10W	5%	RMC1/10T 102J	J24205102	
R 7515	CHIP RES.	1K	1/10W	5%	RMC1/10T 102J	J24205102	
R 7516	CHIP RES.	1K	1/10W	5%	RMC1/10T 102J	J24205102	
R 7517	CHIP RES.	1K	1/10W	5%	RMC1/10T 102J	J24205102	
R 7518	CHIP RES.	1K	1/10W	5%	RMC1/10T 102J	J24205102	
R 7519	CHIP RES.	1K	1/10W	5%	RMC1/10T 102J	J24205102	
R 7520	CHIP RES.	1K	1/10W	5%	RMC1/10T 102J	J24205102	
R 7521	CHIP RES.	1K	1/10W	5%	RMC1/10T 102J	J24205102	
R 7522	CHIP RES.	100K	1/10W	5%	RMC1/10T 104J	J24205104	
R 7523	CHIP RES.	100K	1/10W	5%	RMC1/10T 104J	J24205104	
R 7524	CHIP RES.	10K	1/10W	5%	RMC1/10T 103J	J24205103	
R 7525	CHIP RES.	100. OK	1/10W	1%	RMC1/10 1003FTP	J24209009	
R 7526	CHIP RES.	1K	1/10W	5%	RMC1/10T 102J	J24205102	
R 7527	CHIP RES.	100. OK	1/10W	1%	RMC1/10 1003FTP	J24209009	
R 7528	CHIP RES.	1K	1/10W	5%	RMC1/10T 102J	J24205102	
R 7529	CHIP RES.	100. OK	1/10W	1%	RMC1/10 1003FTP	J24209009	

Tuner Control Unit Parts List

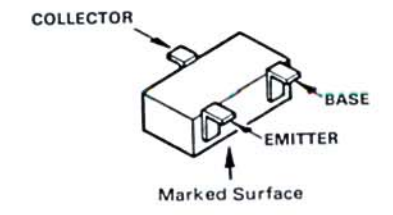
REF.	DESCRIPTION	VALUE	WV	TOL.	MFGR'S DESIG	YAESU P/N	VERS.
R 7530	CHIP RES.	100. OK	1/10W	1%	RMC1/10 1003FTP	J24209009	
R 7531	CHIP RES.	470	1/10W	5%	RMC1/10T 471J	J24205471	
R 7532	CHIP RES.	470	1/10W	5%	RMC1/10T 471J	J24205471	
R 7533	CHIP RES.	470	1/10W	5%	RMC1/10T 471J	J24205471	
R 7534	CHIP RES.	470	1/10W	5%	RMC1/10T 471J	J24205471	
R 7535	CHIP RES.	1K	1/10W	5%	RMC1/10T 102J	J24205102	
R 7536	CHIP RES.	1K	1/10W	5%	RMC1/10T 102J	J24205102	
R 7537	CHIP RES.	100K	1/10W	5%	RMC1/10T 104J	J24205104	
R 7538	CHIP RES.	100K	1/10W	5%	RMC1/10T 104J	J24205104	
R 7539	CHIP RES.	100K	1/10W	5%	RMC1/10T 104J	J24205104	
R 7540	CHIP RES.	100K	1/10W	5%	RMC1/10T 104J	J24205104	
R 7541	CHIP RES.	470K	1/10W	5%	RMC1/10T 474J	J24205474	
R 7542	CHIP RES.	470K	1/10W	5%	RMC1/10T 474J	J24205474	
R 7543	CHIP RES.	1K	1/10W	5%	RMC1/10T 102J	J24205102	
R 7544	CHIP RES.	1K	1/10W	5%	RMC1/10T 102J	J24205102	
R 7545	CHIP RES.	1K	1/10W	5%	RMC1/10T 102J	J24205102	
R 7546	CHIP RES.	1K	1/10W	5%	RMC1/10T 102J	J24205102	
R 7547	CHIP RES.	100K	1/10W	5%	RMC1/10T 104J	J24205104	
R 7548	CHIP RES.	100K	1/10W	5%	RMC1/10T 104J	J24205104	
R 7549	CHIP RES.	47K	1/10W	5%	RMC1/10T 473J	J24205473	
R 7550	CHIP RES.	47K	1/10W	5%	RMC1/10T 473J	J24205473	
R 7551	CHIP RES.	4. 7K	1/10W	5%	RMC1/10T 472J	J24205472	
R 7552	CHIP RES.	10K	1/10W	5%	RMC1/10T 103J	J24205103	
R 7553	CHIP RES.	100K	1/10W	5%	RMC1/10T 104J	J24205104	
R 7554	CHIP RES.	220K	1/10W	5%	RMC1/10T 224J	J24205224	
R 7555	CHIP RES.	1M	1/10W	5%	RMC1/10T 105J	J24205105	
R 7556	CHIP RES.	10K	1/10W	5%	RMC1/10T 103J	J24205103	
R 7557	CHIP RES.	47K	1/10W	5%	RMC1/10T 473J	J24205473	
R 7558	CHIP RES.	4. 7K	1/10W	5%	RMC1/10T 472J	J24205472	
R 7559	CHIP RES.	10K	1/10W	5%	RMC1/10T 103J	J24205103	
R 7560	CHIP RES.	100K	1/10W	5%	RMC1/10T 104J	J24205104	
R 7561	CHIP RES.	220K	1/10W	5%	RMC1/10T 224J	J24205224	
R 7562	CHIP RES.	1M	1/10W	5%	RMC1/10T 105J	J24205105	
R 7563	CHIP RES.	10K	1/10W	5%	RMC1/10T 103J	J24205103	
R 7564	CHIP RES.	10K	1/10W	5%	RMC1/10T 103J	J24205103	
R 7565	CHIP RES.	3. 3K	1/10W	5%	RMC1/10T 332J	J24205332	
R 7566	CHIP RES.	10K	1/10W	5%	RMC1/10T 103J	J24205103	
R 7567	CHIP RES.	39K	1/10W	5%	RMC1/10T 393J	J24205393	
R 7568	CHIP RES.	2. 2K	1/10W	5%	RMC1/10T 222J	J24205222	
R 7569	CHIP RES.	10K	1/10W	5%	RMC1/10T 103J	J24205103	
R 7570	CHIP RES.	12K	1/10W	5%	RMC1/10T 123J	J24205123	
R 7571	CHIP RES.	12K	1/10W	5%	RMC1/10T 123J	J24205123	
R 7572	CHIP RES.	47K	1/10W	5%	RMC1/10T 473J	J24205473	
R 7573	CHIP RES.	10K	1/10W	5%	RMC1/10T 103J	J24205103	
R 7574	CHIP RES.	47K	1/10W	5%	RMC1/10T 473J	J24205473	
R 7575	CHIP RES.	10K	1/10W	5%	RMC1/10T 103J	J24205103	
R 7576	CHIP RES.	10K	1/10W	5%	RMC1/10T 103J	J24205103	
R 7577	CHIP RES.	100K	1/10W	5%	RMC1/10T 104J	J24205104	
R 7578	CHIP RES.	100K	1/10W	5%	RMC1/10T 104J	J24205104	
R 7579	CHIP RES.	100K	1/10W	5%	RMC1/10T 104J	J24205104	
R 7580	CHIP RES.	100K	1/10W	5%	RMC1/10T 104J	J24205104	
R 7581	CHIP RES.	100K	1/10W	5%	RMC1/10T 104J	J24205104	
R 7582	CHIP RES.	100K	1/10W	5%	RMC1/10T 104J	J24205104	
R 7583	CHIP RES.	1K	1/10W	5%	RMC1/10T 102J	J24205102	
R 7584	CHIP RES.	4. 7K	1/10W	5%	RMC1/10T 472J	J24205472	
R 7585	CHIP RES.	10K	1/10W	5%	RMC1/10T 103J	J24205103	
R 7586	CHIP RES.	22	1/10W	5%	RMC1/10T 220J	J24205220	
R 7587	CHIP RES.	1K	1/10W	5%	RMC1/10T 102J	J24205102	
TP7501	TP-E/				MS-60124	Q5000016	
TP7502	TP-E/				MS-60124	Q5000016	
VR7501	POT.	22KB			H0651A015-22KB	J51745223	
	SHIELD CHASSIS ASSY					R0519430	



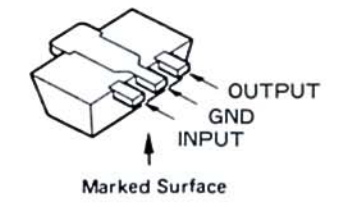
(obverse view of "component" side)



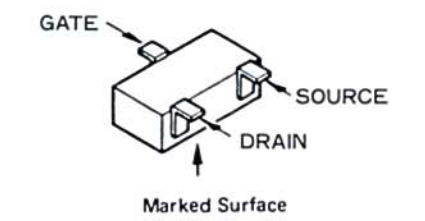
(obverse view of "chip-only" side)



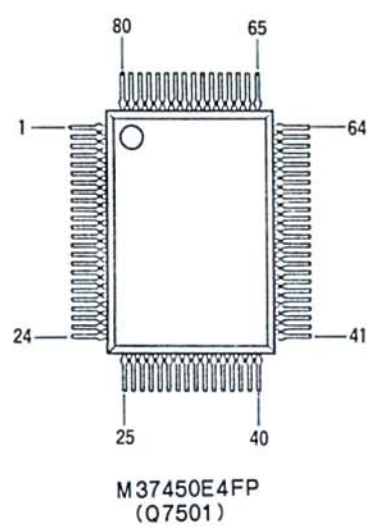
DTC114EK(24)
(Q7502)
2SC2712GR(LG)
(Q7506, Q7507
Q7513, Q7514)



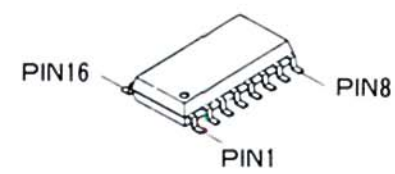
NJM78L05UA(8C)
(Q7504)



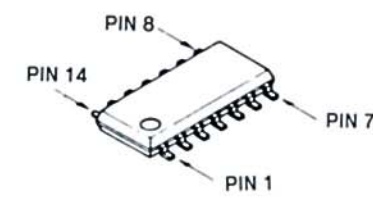
2SK160(K5)
(Q7509, Q7510)



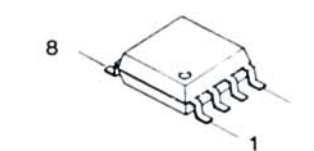
M37450E4FP
(Q7501)



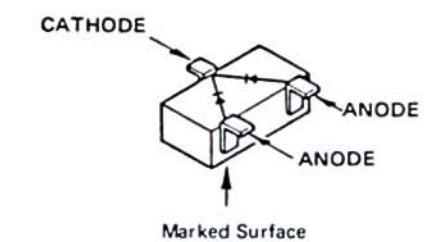
TC4094BF
(Q7511, Q7512)



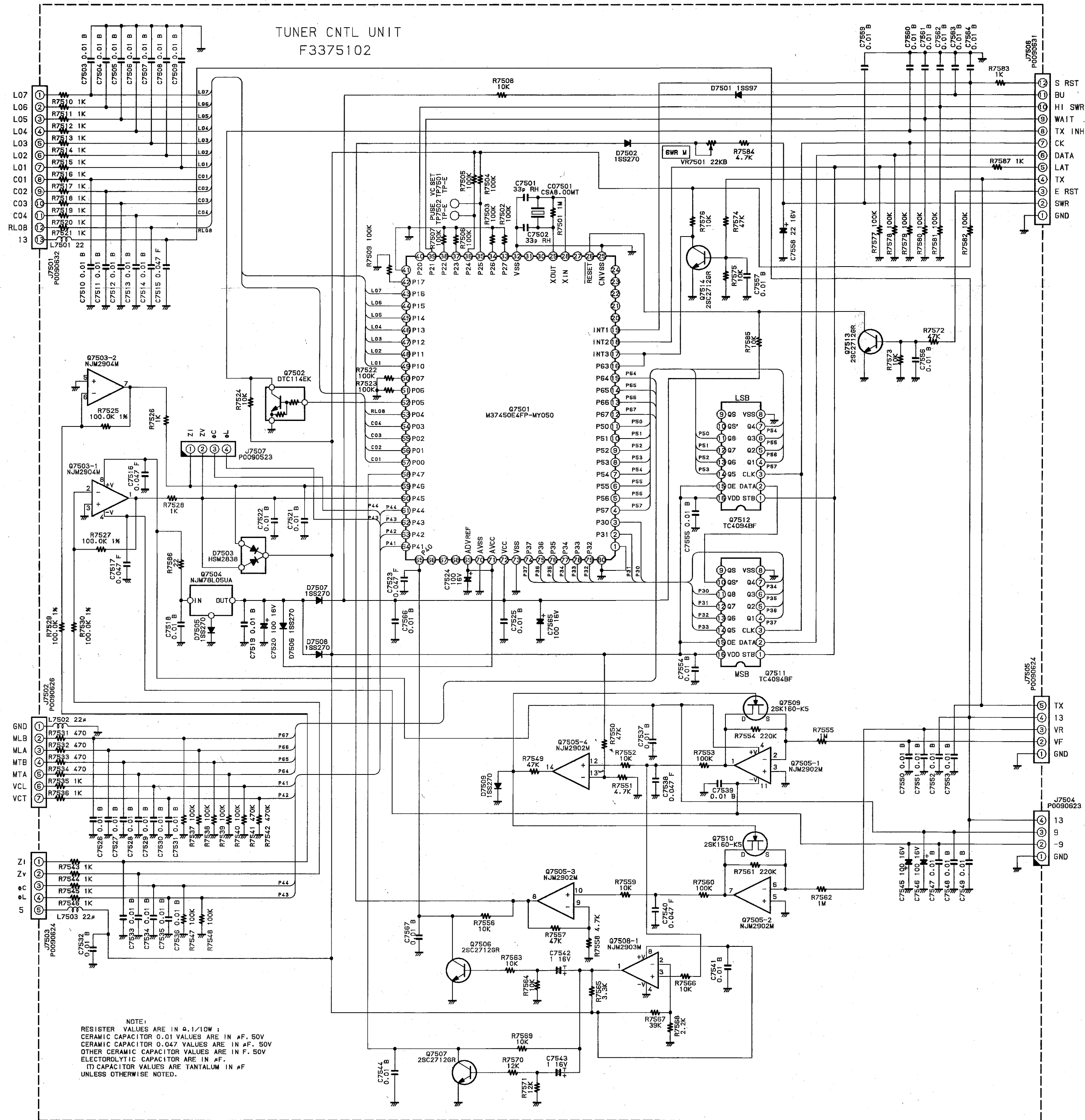
NJM2902M
(Q7505)



NJM2904M
(Q7503)
NJM2903M
(Q7508)



HSM2838(A6)
(D7503)

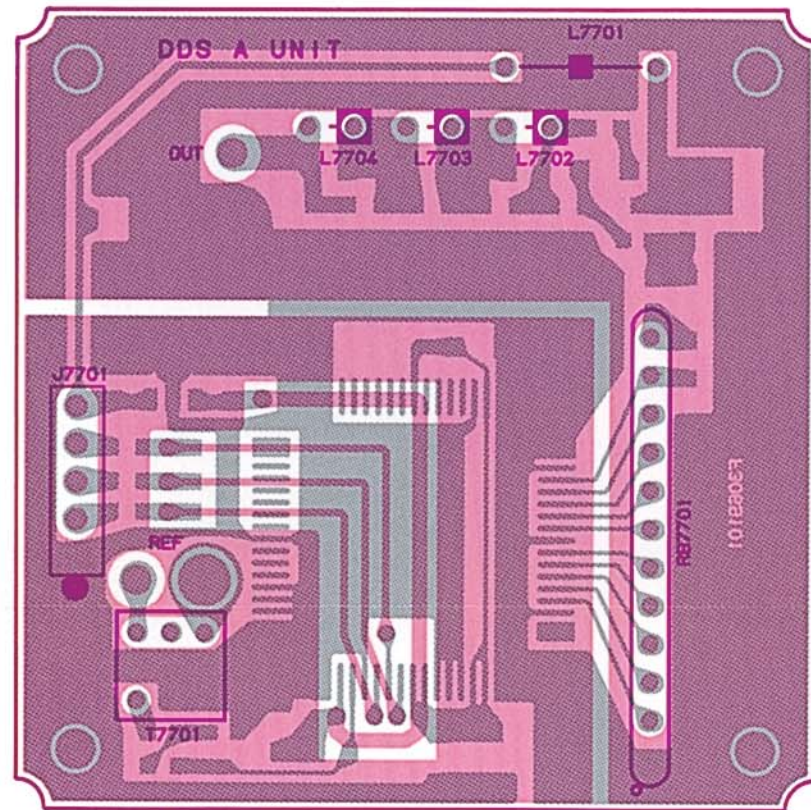


DDS A/B Unit Parts List

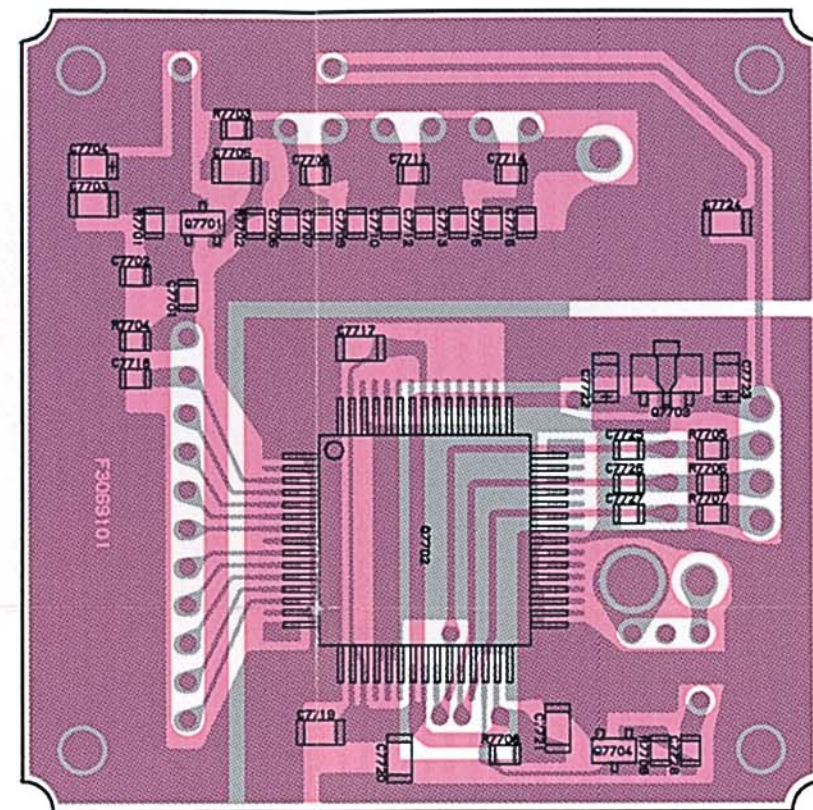
REF.	DESCRIPTION	VALUE	WV	TOL.	MPGR'S DESIG	YAESU P/N	VERS.
*** DDS-A UNIT ***							
	PCB with Components					CA0075001	
	Printed Circuit Board					F3069101	
C 7701	CHIP CAP.	15pF	50V	CH	GRM40CH150J50PT	K22170215	
C 7702	CHIP CAP.	18pF	50V	CH	GRM40CH180J50PT	K22170217	
C 7703	CHIP CAP.	0.1uF	25V	B	GRM42-6B104M25PT	K22141809	
C 7704	TANTALUM CHIP CAP.	1uF	16V		TESVA1C105M1-8R	K78120009	
C 7705	CHIP CAP.	0.1uF	25V	B	GRM42-6B104M25PT	K22141809	
C 7706	CHIP CAP.	0.0015	50V	B	GRM40B152M50PT	K22170807	
C 7707	CHIP CAP.	100pF	50V	CH	GRM40CH101J50PT	K22170235	
C 7708	CHIP CAP.	0.0022uF	50V	B	GRM40B222M50PT	K22170809	
C 7709	CHIP CAP.	0.0033uF	50V	B	GRM40B332M50PT	K22170811	
C 7710	CHIP CAP.	330pF	50V	CH	GRM40CH331J50PT	K22170247	
C 7711	CHIP CAP.	0.001uF	50V	B	GRM40B102M50PT	K22170805	
C 7712	CHIP CAP.	0.0022uF	50V	B	GRM40B222M50PT	K22170809	
C 7713	CHIP CAP.	0.0022uF	50V	B	GRM40B222M50PT	K22170809	
C 7714	CHIP CAP.	330pF	50V	CH	GRM40CH331J50PT	K22170247	
C 7715	CHIP CAP.	0.0022uF	50V	B	GRM40B222M50PT	K22170809	
C 7716	CHIP CAP.	470pF	50V	CH	GRM40CH471J50PT	K22170251	
C 7717	CHIP CAP.	0.1uF	25V	B	GRM42-6B104M25PT	K22141809	
C 7718	CHIP CAP.	47pF	50V	CH	GRM40CH470J50PT	K22170227	
C 7719	CHIP CAP.	0.1uF	25V	B	GRM42-6B104M25PT	K22141809	
C 7720	CHIP CAP.	0.1uF	25V	B	GRM42-6B104M25PT	K22141809	
C 7721	CHIP CAP.	0.1uF	25V	B	GRM42-6B104M25PT	K22141809	
C 7722	TANTALUM CHIP CAP.	1uF	16V		TESVA1C105M1-8R	K78120009	
C 7723	TANTALUM CHIP CAP.	1uF	16V		TESVA1C105M1-8R	K78120009	
C 7724	CHIP CAP.	0.1uF	25V	B	GRM42-6B104M25PT	K22141809	
C 7725	CHIP CAP.	100pF	50V	CH	GRM40CH101J50PT	K22170235	
C 7726	CHIP CAP.	100pF	50V	CH	GRM40CH101J50PT	K22170235	
C 7727	CHIP CAP.	100pF	50V	CH	GRM40CH101J50PT	K22170235	
C 7728	CHIP CAP.	0.01uF	50V	B	GRM40B103M50PT	K22170817	
JP7701	WIRE-ASSY					T9205855	
JP7702	WIRE-ASSY					T9317815	
JP7703	WIRE-ASSY					T9317856	
L 7701	M RFC	220uH			LAL03NA221K	L1190222	
L 7702	M. RFC	4.7uH			LAL03NA4R7K	L1190203	
L 7703	M. RFC	6.8uH			LAL03NA6R8K	L1190205	
L 7704	M. RFC	8.2uH			LAL03NA8R2K	L1190206	
Q 7701	TRANSISTOR				2SC1623-T2BL6	G3316237F	
Q 7702	IC				TC23SC030AF-501	G1090970	
Q 7703	IC				TA78L05F TE12R	G1091014	
Q 7704	TRANSISTOR				2SC1623-T2BL6	G3316237F	
R 7701	CHIP RES.	100K	1/10W	5%	RMC1/10T 104J	J24205104	
R 7702	CHIP RES.	100	1/10W	5%	RMC1/10T 101J	J24205101	
R 7703	CHIP RES.	39	1/10W	5%	RMC1/10T 390J	J24205390	
R 7704	CHIP RES.	100K	1/10W	5%	RMC1/10T 104J	J24205104	
R 7705	CHIP RES.	1K	1/10W	5%	RMC1/10T 102J	J24205102	
R 7706	CHIP RES.	1K	1/10W	5%	RMC1/10T 102J	J24205102	
R 7707	CHIP RES.	1K	1/10W	5%	RMC1/10T 102J	J24205102	
R 7708	CHIP RES.	1K	1/10W	5%	RMC1/10T 102J	J24205102	
R 7709	CHIP RES.	100K	1/10W	5%	RMC1/10T 104J	J24205104	
RB7701	BLOCK RES.	RRP20B-12Z			RRP20B-12Z-10K/20K	J40900180	
T 7701	COIL					L0021484	

DDS A/B Unit Parts List

REF.	DESCRIPTION	VALUE	WV	TOL.	MFGR'S DESIG	YAESU P/N	VERS.
*** DDS-B UNIT ***							
	PCB with Components					CA0076001	
	Printed Circuit Board					F3069102	
C 7801	CHIP CAP.	15pF	50V	CH	GRM40CH150J50PT	K22170215	
C 7802	CHIP CAP.	18pF	50V	CH	GRM40CH180J50PT	K22170217	
C 7803	CHIP CAP.	0.1uF	25V	B	GRM42-6B104M25PT	K22141809	
C 7804	TANTALUM CHIP CAP.	1uF	16V		TESVA1C105M1-8R	K78120009	
C 7805	CHIP CAP.	0.1uF	25V	B	GRM42-6B104M25PT	K22141809	
C 7806	CHIP CAP.	0.0015	50V	B	GRM40B152M50PT	K22170807	
C 7807	CHIP CAP.	330pF	50V	CH	GRM40CH331J50PT	K22170247	
C 7808	CHIP CAP.	0.001uF	50V	B	GRM40B102M50PT	K22170805	
C 7809	CHIP CAP.	0.0022uF	50V	B	GRM40B222M50PT	K22170809	
C 7810	CHIP CAP.	0.001uF	50V	B	GRM40B102M50PT	K22170805	
C 7811	CHIP CAP.	0.0015	50V	B	GRM40B152M50PT	K22170807	
C 7812	CHIP CAP.	0.0022uF	50V	B	GRM40B222M50PT	K22170809	
C 7813	CHIP CAP.	0.0012	50V	B	GRM40B122M50PT	K22170806	
C 7814	CHIP CAP.	330pF	50V	CH	GRM40CH331J50PT	K22170247	
C 7815	CHIP CAP.	0.0022uF	50V	B	GRM40B222M50PT	K22170809	
C 7816	CHIP CAP.	220pF	50V	CH	GRM40CH221J50PT	K22170243	
C 7817	CHIP CAP.	0.1uF	25V	B	GRM42-6B104M25PT	K22141809	
C 7818	CHIP CAP.	47pF	50V	CH	GRM40CH470J50PT	K22170227	
C 7819	CHIP CAP.	0.1uF	25V	B	GRM42-6B104M25PT	K22141809	
C 7820	CHIP CAP.	0.1uF	25V	B	GRM42-6B104M25PT	K22141809	
C 7821	CHIP CAP.	0.1uF	25V	B	GRM42-6B104M25PT	K22141809	
C 7822	TANTALUM CHIP CAP.	1uF	16V		TESVA1C105M1-8R	K78120009	
C 7823	TANTALUM CHIP CAP.	1uF	16V		TESVA1C105M1-8R	K78120009	
C 7824	CHIP CAP.	0.1uF	25V	B	GRM42-6B104M25PT	K22141809	
C 7825	CHIP CAP.	100pF	50V	CH	GRM40CH101J50PT	K22170235	
C 7826	CHIP CAP.	100pF	50V	CH	GRM40CH101J50PT	K22170235	
C 7827	CHIP CAP.	100pF	50V	CH	GRM40CH101J50PT	K22170235	
C 7828	CHIP CAP.	0.01uF	50V	B	GRM40B103M50PT	K22170817	
JP7801	WIRE-ASSY					T9205856	
JP7802	WIRE-ASSY					T9300706A	
JP7803	WIRE-ASSY					T9205906	
L 7801	M RFC	220uH			LAL03NA221K	L1190222	
L 7802	M. RFC	5.6uH			LAL03NA5R6K	L1190204	
L 7803	M. RFC	5.6uH			LAL03NA5R6K	L1190204	
L 7804	M. RFC	6.8uH			LAL03NA6R8K	L1190205	
Q 7801	TRANSISTOR				2SC1623-T2BL6	G3316237F	
Q 7802	IC				TC23SC030AF-501	G1090970	
Q 7803	IC				TA78L05F TE12R	G1091014	
Q 7804	TRANSISTOR				2SC1623-T2BL6	G3316237F	
R 7801	CHIP RES.	100K	1/10W	5%	RMC1/10T 104J	J24205104	
R 7802	CHIP RES.	100	1/10W	5%	RMC1/10T 101J	J24205101	
R 7803	CHIP RES.	39	1/10W	5%	RMC1/10T 390J	J24205390	
R 7804	CHIP RES.	100K	1/10W	5%	RMC1/10T 104J	J24205104	
R 7805	CHIP RES.	1K	1/10W	5%	RMC1/10T 102J	J24205102	
R 7806	CHIP RES.	1K	1/10W	5%	RMC1/10T 102J	J24205102	
R 7807	CHIP RES.	1K	1/10W	5%	RMC1/10T 102J	J24205102	
R 7808	CHIP RES.	1K	1/10W	5%	RMC1/10T 102J	J24205102	
R 7809	CHIP RES.	100K	1/10W	5%	RMC1/10T 104J	J24205104	
RB7801	BLOCK RES.	RRP20B-12Z			RRP20B-12Z-10K/20K	J40900180	
T 7801	COIL					L0021484	

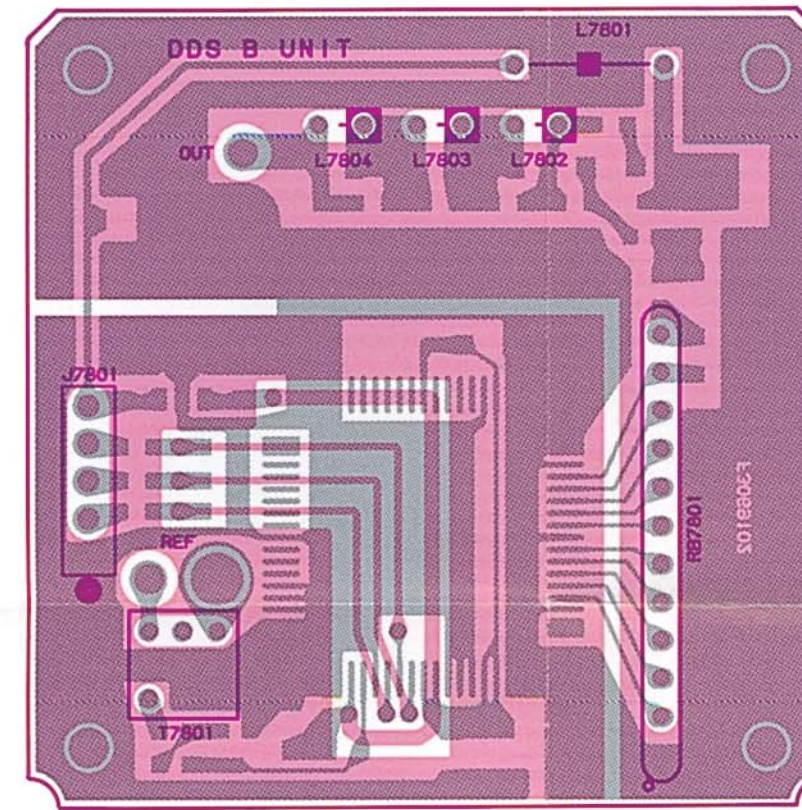


(obverse view of "component" side)

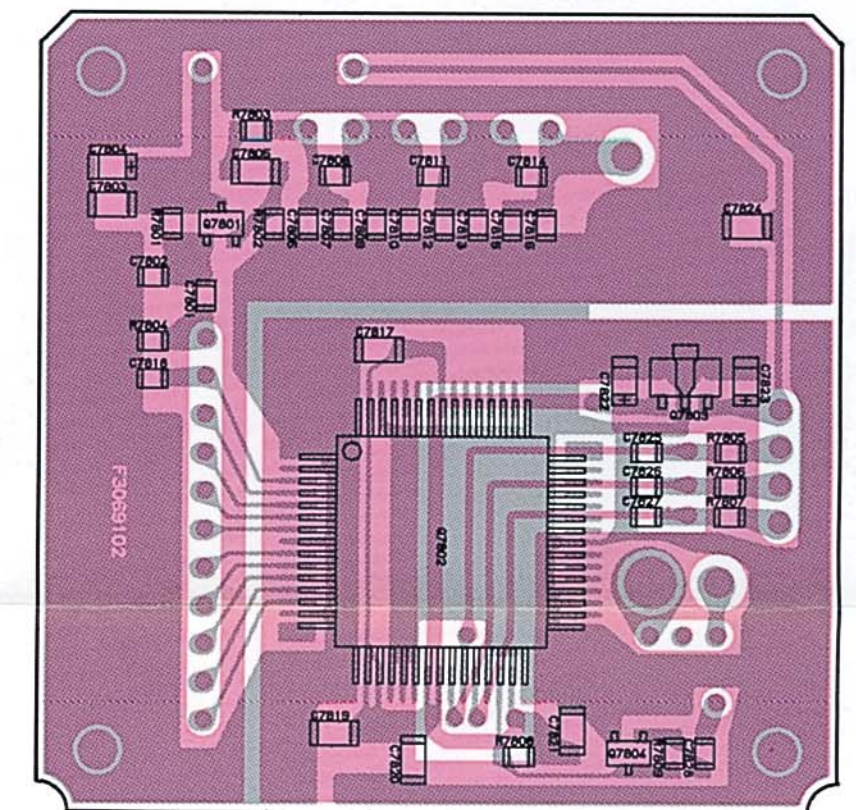


(obverse view of "chip-only" side)

DDS-A UNIT

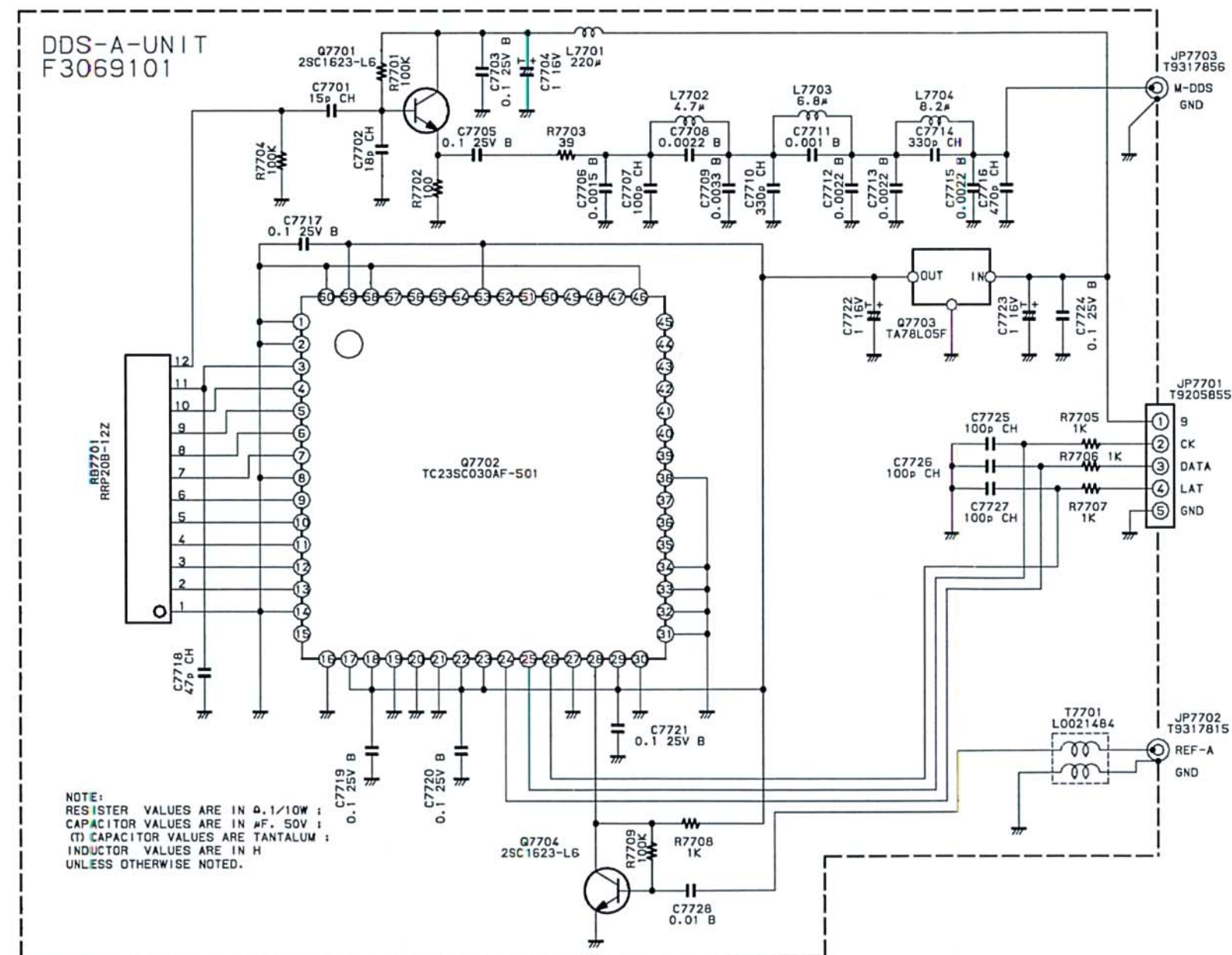


(obverse view of "component" side)

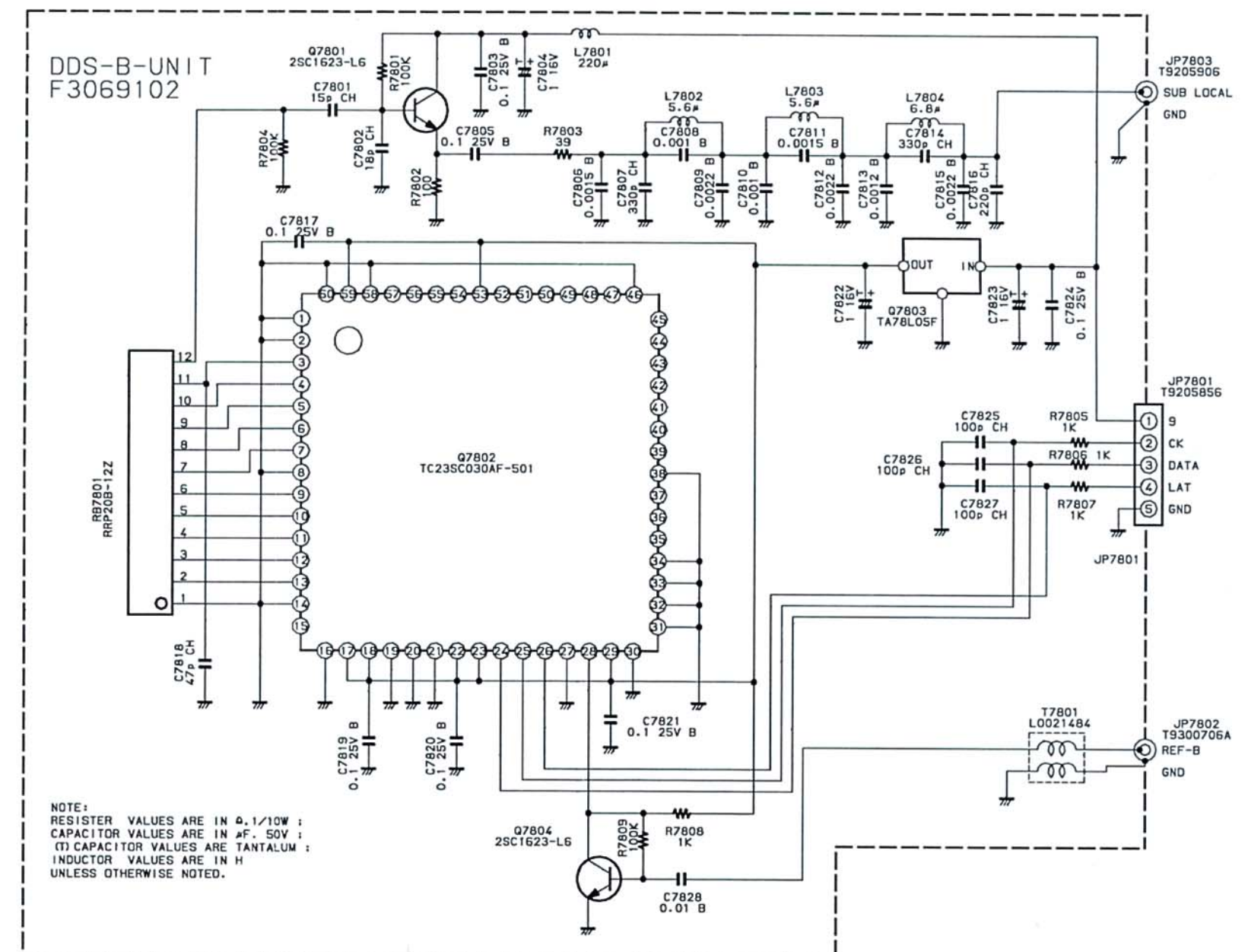
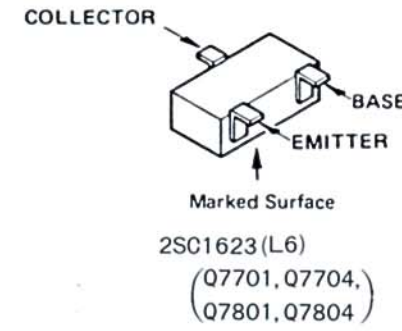
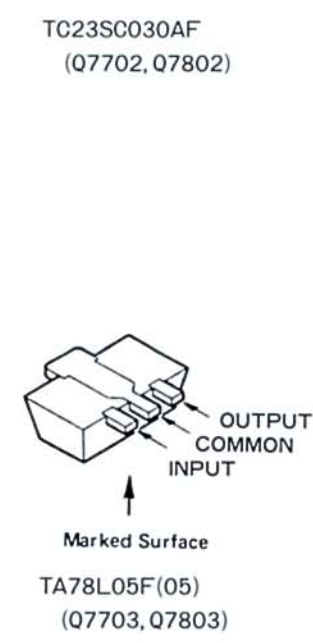
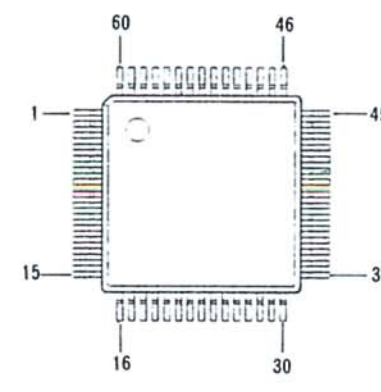


(obverse view of "chip-only" side)

DDS-B UNIT



(DDS-A UNIT schematic diagram)



(DDS-B UNIT schematic diagram)

Width/Shift/Mode DDS Unit Parts List

REF.	DESCRIPTION	VALUE	WV	TOL.	MFGR'S DESIG	YAESU P/N	VERS.
*** WIDTH-DDS UNIT ***							
	PCB with Components					CA0083001	
	Printed Circuit Board					F3070101C	
C 4901	TANTALUM CHIP CAP.	1	16V		TEMSVA21C105M-8R	K78120024	
C 4902	CHIP CAP.	0.01uF	50V	B	GRM40B103M50PT	K22170817	
C 4903	TANTALUM CHIP CAP.	1	16V		TEMSVA21C105M-8R	K78120024	
C 4904	CHIP CAP.	0.1	25V	B	GRM40B104M25PT	K22140811	
C 4905	CHIP CAP.	0.001uF	50V	B	GRM40B102M50PT	K22170805	
C 4906	TANTALUM CHIP CAP.	1	16V		TEMSVA21C105M-8R	K78120024	
C 4907	CHIP CAP.	0.01uF	50V	B	GRM40B103M50PT	K22170817	
C 4908	CHIP CAP.	100p	50V	CH	GRM40CH101J50PT	K22170235	
C 4909	CHIP CAP.	0.01uF	50V	B	GRM40B103M50PT	K22170817	
C 4910	TANTALUM CHIP CAP.	1	16V		TEMSVA21C105M-8R	K78120024	
C 4911	CHIP CAP.	0.01uF	50V	B	GRM40B103M50PT	K22170817	
C 4913	CHIP CAP.	0.0047uF	50V	B	GRM40B472M50PT	K22170813	
C 4914	CHIP CAP.	0.0068uF	50V	B	GRM40B682M50PT	K22170815	
C 4915	CHIP CAP.	0.0047uF	50V	B	GRM40B472M50PT	K22170813	
C 4916	CHIP CAP.	0.047uF	50V	F	GRM40F473Z50PT	K22171008	
C 4918	CHIP CAP.	0.01uF	50V	B	GRM40B103M50PT	K22170817	
J 4901	CONNECTOR				3022-08A	P0090092	
L 4901	M.RFC	120uH			FLC32T-121J	L1690227	
L 4902	M.RFC	120uH			FLC32T-121J	L1690227	
L 4903	M.RFC	560uH			LAL03NA561K	L1190227	
L 4904	M.RFC	560uH			LAL03NA561K	L1190227	
Q 4901	IC				TC23SC030AF-501	G1090970	
Q 4902	TRANSISTOR				2SC2712GR TE85R	G3327127G	
Q 4903	TRANSISTOR				2SC2712GR TE85R	G3327127G	
R 4902	CHIP RES.	10K	1/10W	5%	RMC1/10T 103J	J24205103	
R 4903	CHIP RES.	100	1/10W	5%	RMC1/10T 101J	J24205101	
R 4904	CHP RES.	47K	1/10W	5%	RMC1/10T 473J	J24205473	
R 4905	CHIP RES.	68K	1/10W	5%	RMC1/10T 683J	J24205683	
R 4906	CHIP RES.	1K	1/10W	5%	RMC1/10T 102J	J24205102	
R 4907	CHIP RES.	470	1/10W	5%	RMC1/10T 471J	J24205471	
R 4908	CHIP RES.	470	1/10W	5%	RMC1/10T 471J	J24205471	
R 4909	CHIP RES.	100K	1/10W	5%	RMC1/10T 104J	J24205104	
R 4910	CHIP RES.	1K	1/10W	5%	RMC1/10T 102J	J24205102	
RB 4901	BLOCK RES.	RRP16B-10Z			RRP16B-10Z-10K/20K	J40900181	
TP 4901	TP-N				IPS-1091	Q5000082	
TP 4902	TP-N				IPS-1091	Q5000082	
TP 4903	TP-N				IPS-1091	Q5000082	
	SHIELD CASE					R0131630	
	SHIELD COVER					R0131640	

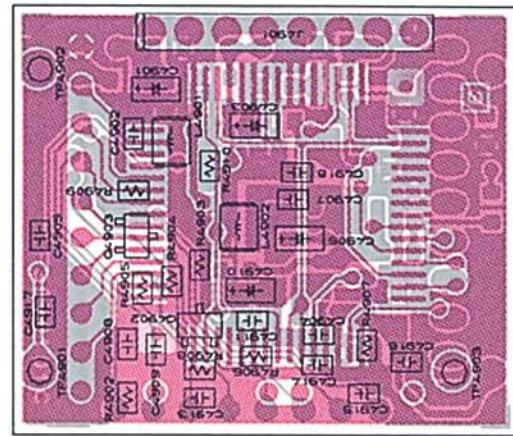
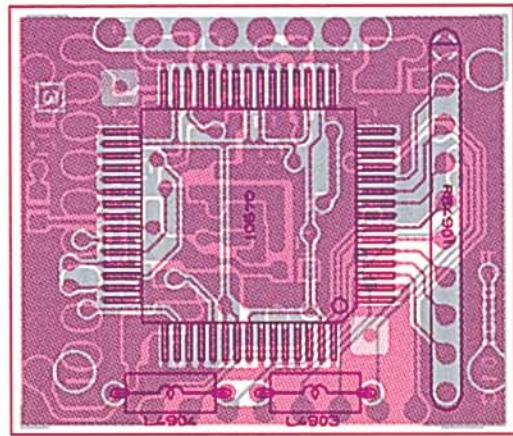
Width/Shift/Mode DDS Unit Parts List

REF.	DESCRIPTION	VALUE	WV	TOL.	MFGR'S DESIG	YAESU P/N	VERS.
*** SHIFT-DDS UNIT ***							
	PCB with Components					CA0083001	
	Printed Circuit Board					F3070101C	
C 4801	ANTALUM CHIP CAP.	1	16V		TEMSVA21C105M-8R	K78120024	
C 4802	CHIP CAP.	0.01uF	50V	B	GRM40B103M50PT	K22170817	
C 4803	ANTALUM CHIP CAP.	1	16V		TEMSVA21C105M-8R	K78120024	
C 4804	CHIP CAP.	0.1	25V	B	GRM40B104M25PT	K22140811	
C 4805	CHIP CAP.	0.01uF	50V	B	GRM40B103M50PT	K22170817	
C 4806	ANTALUM CHIP CAP.	1	16V		TEMSVA21C105M-8R	K78120024	
C 4807	CHIP CAP.	0.01uF	50V	B	GRM40B103M50PT	K22170817	
C 4808	CHIP CAP.	100p	50V	CH	GRM40CH101J50PT	K22170235	
C 4809	CHIP CAP.	0.01uF	50V	B	GRM40B103M50PT	K22170817	
C 4810	ANTALUM CHIP CAP.	1	16V		TEMSVA21C105M-8R	K78120024	
C 4811	CHIP CAP.	0.01uF	50V	B	GRM40B103M50PT	K22170817	
C 4813	CHIP CAP.	0.0039	50V	B	GRM40B392M50PT	K22170812	
C 4814	CHIP CAP.	0.0068uF	50V	B	GRM40B682M50PT	K22170815	
C 4815	CHIP CAP.	0.0039	50V	B	GRM40B392M50PT	K22170812	
C 4816	CHIP CAP.	0.047uF	50V	F	GRM40F473Z50PT	K22171008	
C 4818	CHIP CAP.	0.01uF	50V	B	GRM40B103M50PT	K22170817	
J 4801	CONNECTOR				3022-08A	P0090092	
L 4801	M.RFC	120uH			FLC32T-121J	L1690227	
L 4802	M.RFC	120uH			FLC32T-121J	L1690227	
L 4803	M.RFC	680uH			LAL03NA681K	L1190228	
L 4804	M.RFC	680uH			LAL03NA681K	L1190228	
Q 4801	IC				TC23SC030AF-501	G1090970	
Q 4802	TRANSISTOR				2SC2712GR TE85R	G3327127G	
Q 4803	TRANSISTOR				2SC2712GR TE85R	G3327127G	
R 4802	CHIP RES.	10K	1/10W	5%	RMC1/10T 103J	J24205103	
R 4803	CHIP RES.	100	1/10W	5%	RMC1/10T 101J	J24205101	
R 4804	CHP RES.	47K	1/10W	5%	RMC1/10T 473J	J24205473	
R 4805	CHIP RES.	68K	1/10W	5%	RMC1/10T 683J	J24205683	
R 4806	CHIP RES.	1K	1/10W	5%	RMC1/10T 102J	J24205102	
R 4807	CHIP RES.	470	1/10W	5%	RMC1/10T 471J	J24205471	
R 4808	CHIP RES.	470	1/10W	5%	RMC1/10T 471J	J24205471	
R 4809	CHIP RES.	100K	1/10W	5%	RMC1/10T 104J	J24205104	
R 4810	CHIP RES.	1K	1/10W	5%	RMC1/10T 102J	J24205102	
RB 4801	BLOCK RES.	RRP16B-10Z			RRP16B-10Z-10K/20K	J40900181	
TP 4801	TP-N				IPS-1091	Q5000082	
TP 4802	TP-N				IPS-1091	Q5000082	
TP 4803	TP-N				IPS-1091	Q5000082	
	SHIELD CASE					R0131630	
	SHIELD COVER					R0131640	

Width/Shift/Mode DDS Unit Parts List

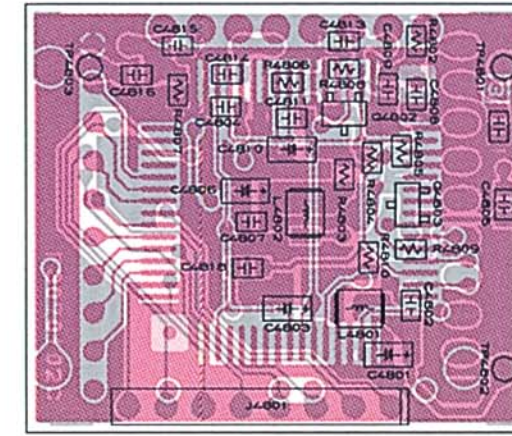
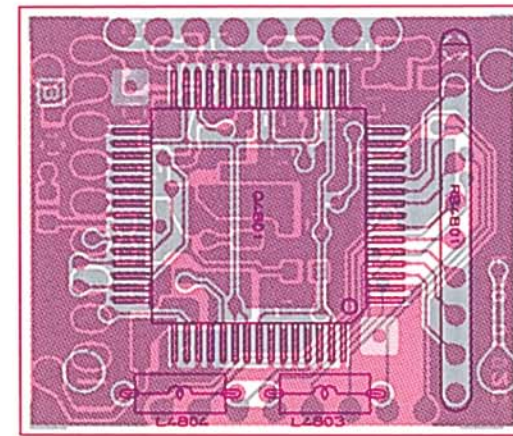
REF.	DESCRIPTION	VALUE	WV	TOL.	MFGR'S DESIG	YAESU P/N	VERS.
*** MODE-DDS UNIT ***							
	PCB with Components					CA0083001	
	Printed Circuit Board					F3070101C	
C 9701	CHIP CAP.	0.01uF	50V	B	GRM40B103M50PT	K22170817	
C 9702	TANTALUM CHIP CAP.	1	16V		TEMSVA21C105M-8R	K78120024	
C 9703	CHIP CAP.	0.047uF	50V	F	GRM40F473Z50PT	K22171008	
C 9704	CHIP CAP.	0.1	25V	B	GRM40B104M25PT	K22140811	
C 9705	TANTALUM CHIP CAP.	1	16V		TEMSVA21C105M-8R	K78120024	
C 9706	CHIP CAP.	0.047uF	50V	F	GRM40F473Z50PT	K22171008	
C 9707	TANTALUM CHIP CAP.	1	16V		TEMSVA21C105M-8R	K78120024	
C 9708	CHIP CAP.	0.01uF	50V	B	GRM40B103M50PT	K22170817	
C 9709	CHIP CAP.	0.047uF	50V	F	GRM40F473Z50PT	K22171008	
C 9710	TANTALUM CHIP CAP.	1	16V		TEMSVA21C105M-8R	K78120024	
C 9712	CHIP CAP.	0.001uF	50V	B	GRM40B102M50PT	K22170805	
C 9713	CHIP CAP.	0.0015	50V	B	GRM40B152M50PT	K22170807	
C 9714	CHIP CAP.	0.001uF	50V	B	GRM40B102M50PT	K22170805	
C 9715	CHIP CAP.	0.047uF	50V	F	GRM40F473Z50PT	K22171008	
C 9716	CHIP CAP.	100p	50V	CH	GRM40CH101J50PT	K22170235	
C 9718	CHIP CAP.	0.01uF	50V	B	GRM40B103M50PT	K22170817	
J 9701	CONNECTOR				3022-03A	P0090352	
L 9701	M.RFC	120uH			FLC32T-121J	L1690227	
L 9702	M.RFC	120uH			FLC32T-121J	L1690227	
L 9703	M.RFC	120uH			FLC32T-121J	L1690227	
L 9704	M.RFC	120uH			FLC32T-121J	L1690227	
Q 9701	IC				TC23SC030AF-501	G1090970	
Q 9702	TRANSISTOR				2SC2712GR TE85R	G3327127G	
Q 9703	TRANSISTOR				2SC2712GR TE85R	G3327127G	
R 9702	CHIP RES.	100K	1/10W	5%	RMC1/10T 104J	J24205104	
R 9703	CHIP RES.	100	1/10W	5%	RMC1/10T 101J	J24205101	
R 9704	CHIP RES.	47K	1/10W	5%	RMC1/10T 473J	J24205473	
R 9705	CHIP RES.	68K	1/10W	5%	RMC1/10T 683J	J24205683	
R 9706	CHIP RES.	470	1/10W	5%	RMC1/10T 471J	J24205471	
R 9707	CHIP RES.	470	1/10W	5%	RMC1/10T 471J	J24205471	
R 9708	CHIP RES.	470	1/10W	5%	RMC1/10T 471J	J24205471	
R 9709	CHIP RES.	100K	1/10W	5%	RMC1/10T 104J	J24205104	
R 9710	CHIP RES.	1K	1/10W	5%	RMC1/10T 102J	J24205102	
RB 9701	BLOCK RES.	RRP16B-10Z			RRP16B-10Z-10K/20K	J40900181	
TP 9701	TP-N				IPS-1091	Q5000082	
TP 9702	TP-N				IPS-1091	Q5000082	
TP 9703	TP-N				IPS-1091	Q5000082	
	SHIELD CASE					R0131630	
	SHIELD COVER					R0131640	

Notes



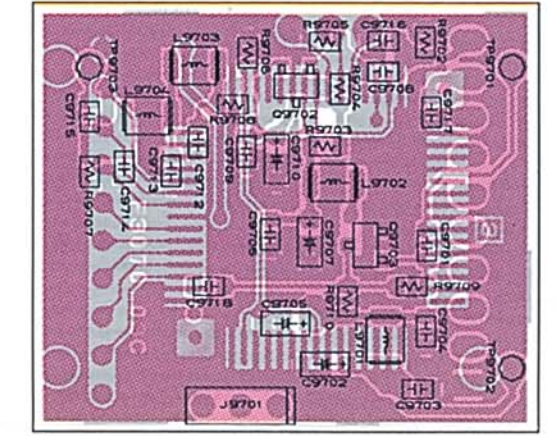
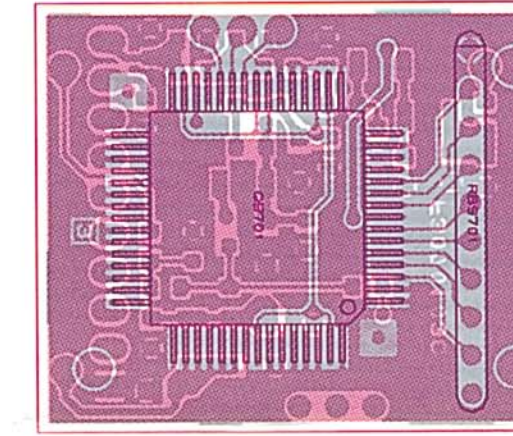
(obverse view of "component" side) (obverse view of "chip-only" side)

WIDTH DDS UNIT



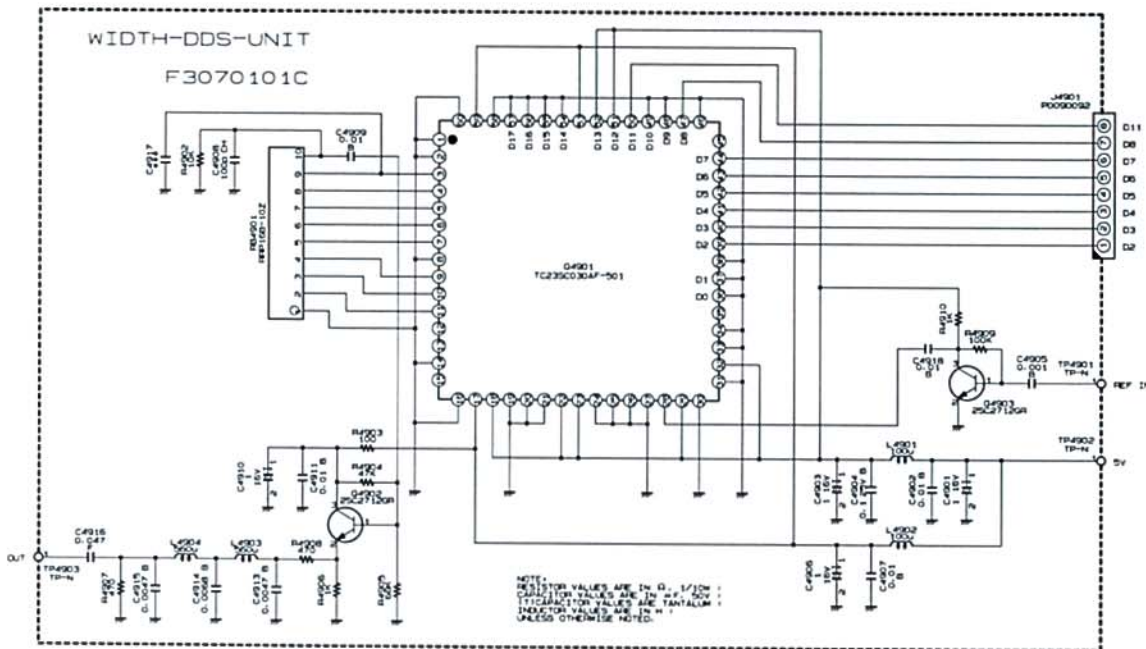
(obverse view of "component" side) (obverse view of "chip-only" side)

SHIFT DDS UNIT

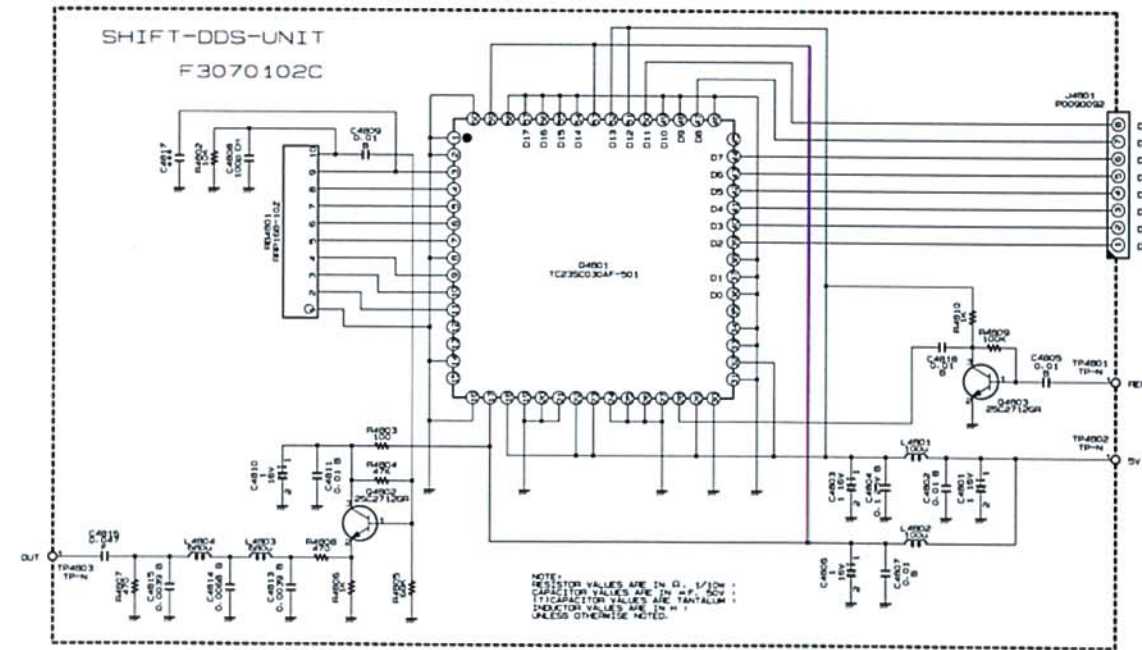


(obverse view of "component" side) (obverse view of "chip-only" side)

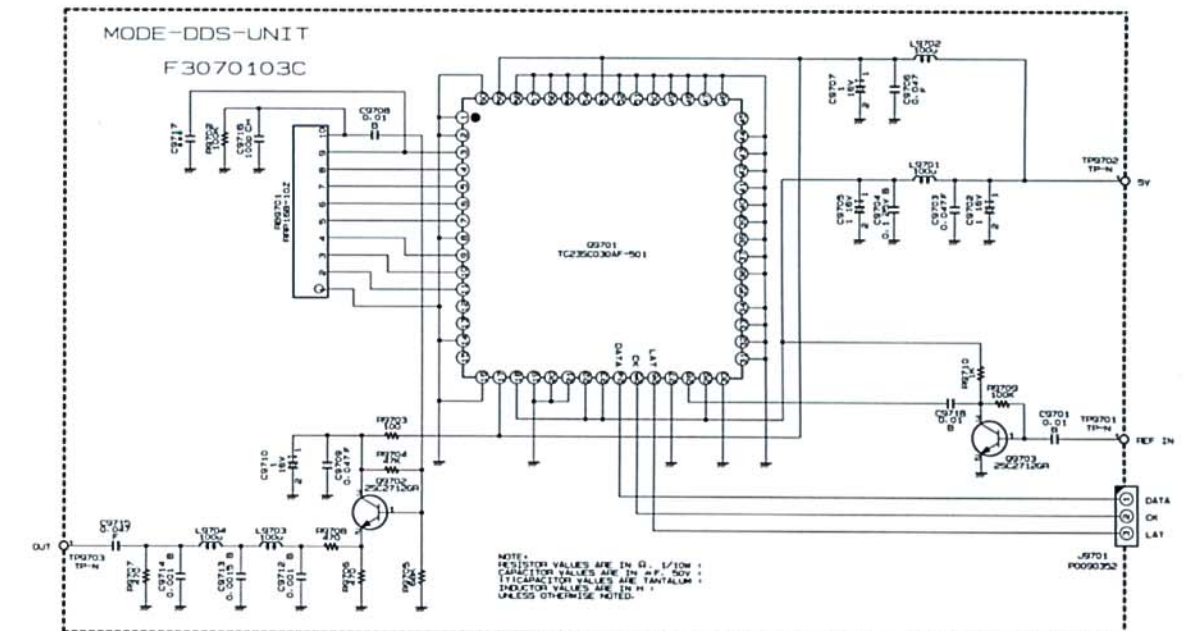
MODE DDS UNIT



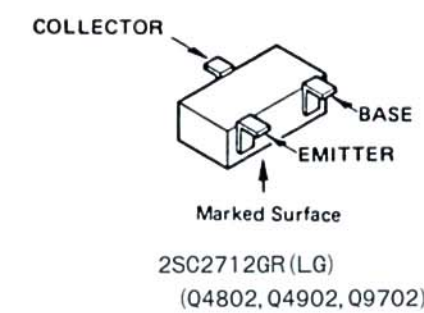
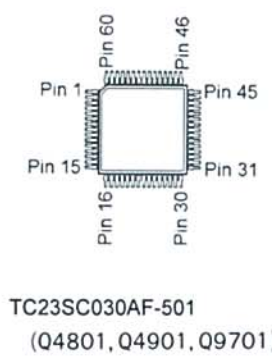
(WIDTH DDS UNIT schematic diagram)



(SHIFT DDS UNIT schematic diagram)



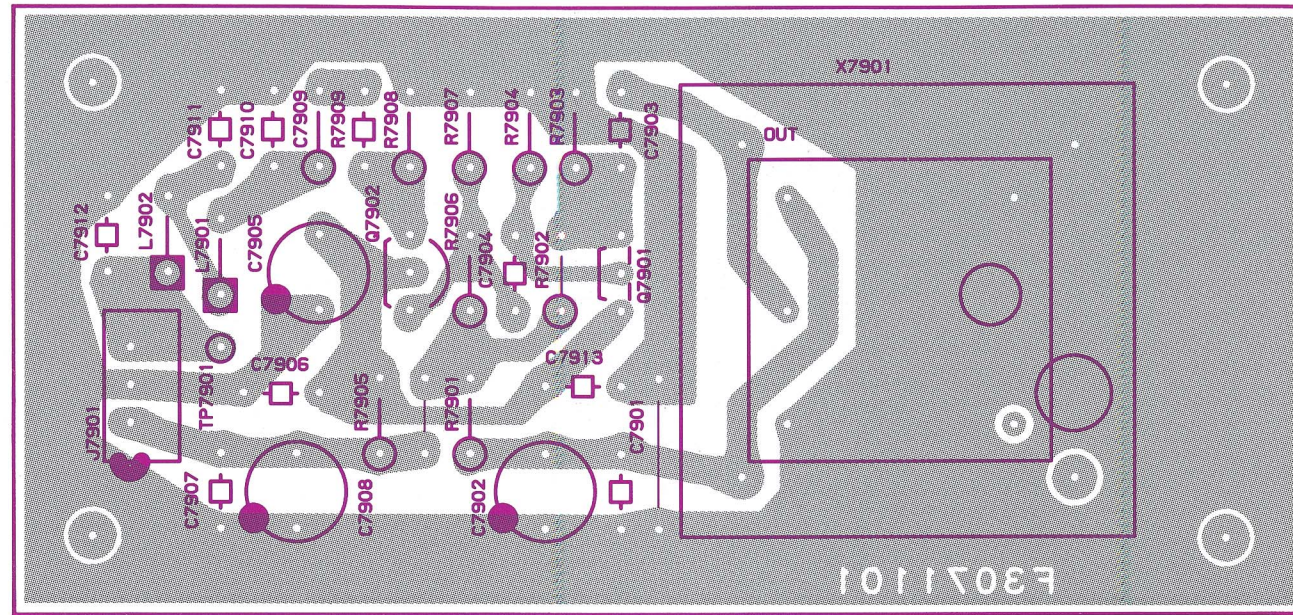
(MODE DDS UNIT schematic diagram)



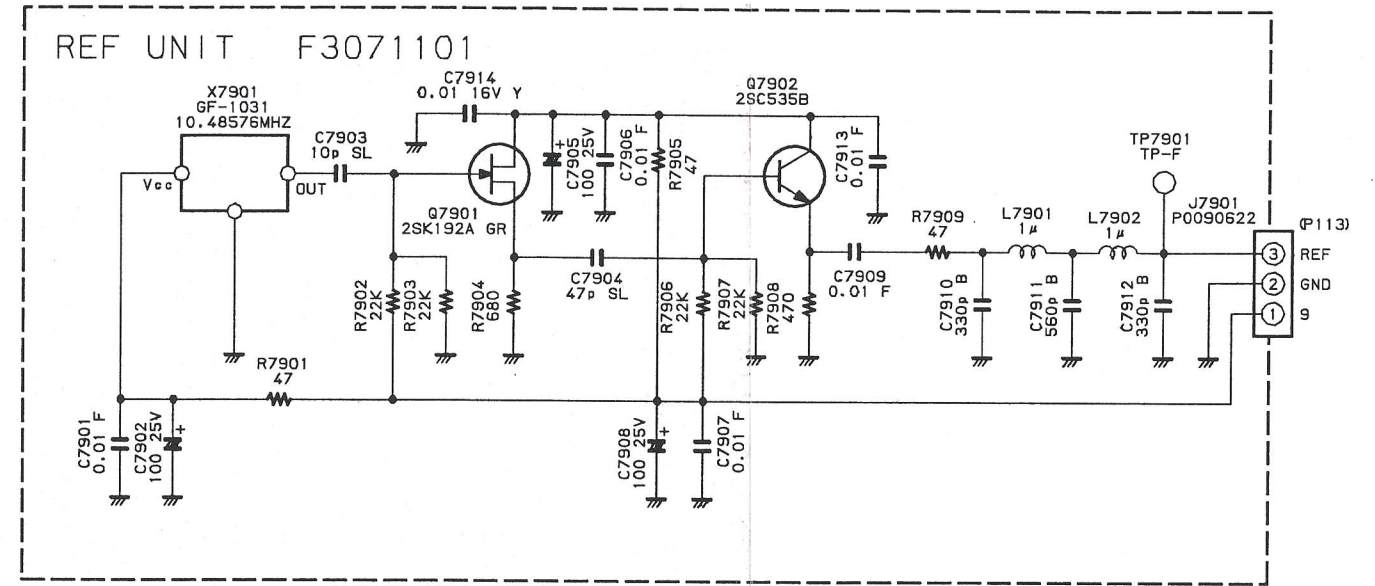
Reference (REF) Unit Parts List

REF.	DESCRIPTION	VALUE	WV	TOL.	MFR'S DESIG	YAESU P/N	VERS.
*** REF UNIT ***							
	PCB with Components					CA0090001	
	Printed Circuit Board					F3071101	
C 7901	CERAMIC CAP.	0.01uF	50V	F	DD106-979F103Z50	K26170657	
C 7902	AL. ELECTRO. CAP.	100uF	25V		25V101M6X11TR5	K46140005	
C 7903	CERAMIC CAP.	10pF	50V	SL	DD104-979SL100D50	K26171005	
C 7904	CERAMIC CAP.	47pF	50V	SL	DD104-979SL470J50	K26171021	
C 7905	AL. ELECTRO. CAP.	100uF	25V		25V101M6X11TR5	K46140005	
C 7906	CERAMIC CAP.	0.01uF	50V	F	DD106-979F103Z50	K26170657	
C 7907	CERAMIC CAP.	0.01uF	50V	F	DD106-979F103Z50	K26170657	
C 7908	AL. ELECTRO. CAP.	100uF	25V		25V101M6X11TR5	K46140005	
C 7909	CERAMIC CAP.	0.01uF	50V	F	DD106-979F103Z50	K26170657	
C 7910	CERAMIC CAP.	330pF	50V	B	DD104-979B331K50	K26171608	
C 7911	CERAMIC CAP.	560pF	50V	B	DD104-979B561K50	K26171611	
C 7912	CERAMIC CAP.	330pF	50V	B	DD104-979B331K50	K26171608	
C 7913	CERAMIC CAP.	0.01uF	50V	F	DD106-979F103Z50	K26170657	
C 7914	CERAMIC CAP.	0.01uF	16V	Y	EPO50Y103N-A	K28129001	
J 7901	CONNECTOR				SC25-03WS	P0090622	
JP7901	JUMPER WIRE C 0.6-5.				0.6-5.0	Q6100015	
JP7902	JUMPER WIRE C 0.6-1				0.6-10.0	Q6100002	
L 7901	M. RFC	1uH			LAL03VB1ROM	L1790128	
L 7902	M. RFC	1uH			LAL03VB1ROM	L1790128	
Q 7901	FET				2SK192AGR	G3801921G	
Q 7902	TRANSISTOR				2SC535BTZ	G3305354B	
R 7901	CARBON FILM RES.	47	1/4W	5%	RD25UJ470T 47	J06245470	
R 7902	CARBON FILM RES.	22K	1/4W	5%	RD25UJ223T 22K	J06245223	
R 7903	CARBON FILM RES.	22K	1/4W	5%	RD25UJ223T 22K	J06245223	
R 7904	CARBON FILM RES.	680	1/4W	5%	RD25UJ681T 680	J06245681	
R 7905	CARBON FILM RES.	47	1/4W	5%	RD25UJ470T 47	J06245470	
R 7906	CARBON FILM RES.	22K	1/4W	5%	RD25UJ223T 22K	J06245223	
R 7907	CARBON FILM RES.	22K	1/4W	5%	RD25UJ223T 22K	J06245223	
R 7908	CARBON FILM RES.	470	1/4W	5%	RD25UJ471T 470	J06245471	
R 7909	CARBON FILM RES.	47	1/4W	5%	RD25UJ470T 47	J06245470	
TP7901	TP-F				TP-F IPS-1032	Q5000026	
X 7901	XTAL				GF-1031 10.48576	H9500140	

Notes

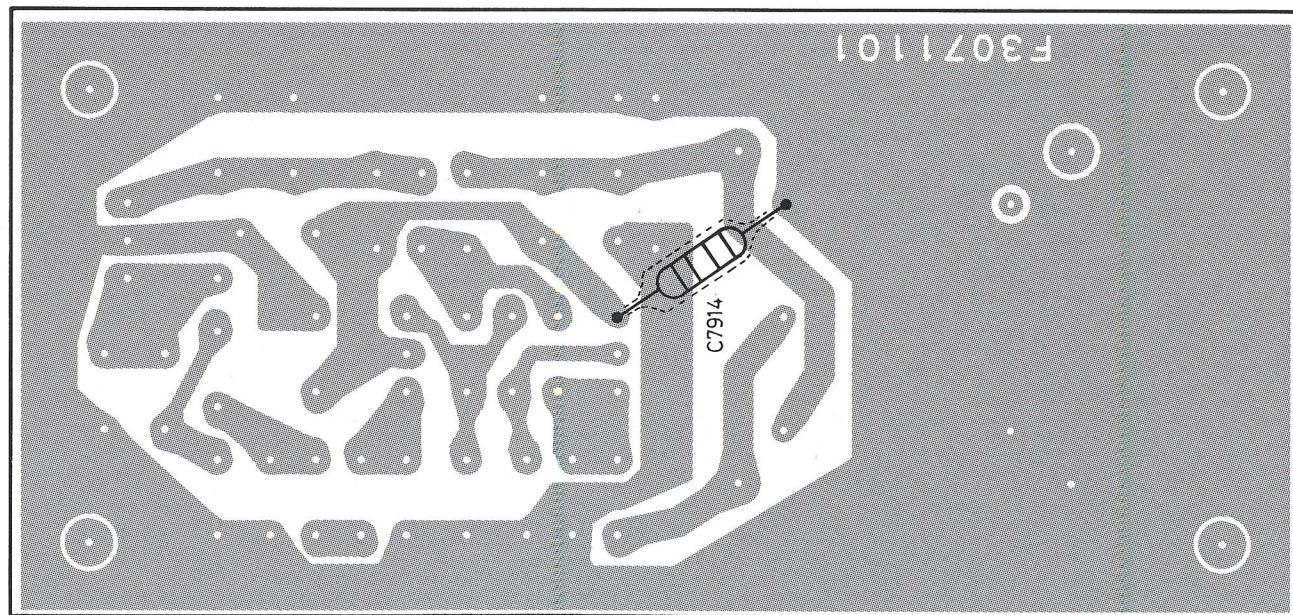


(obverse view of "component" side)

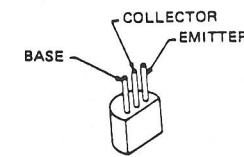


(schematic diagram)

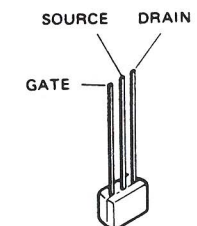
NOTE:
 RESISTOR VALUES ARE IN Ω , 1/4W ;
 CAPACITOR VALUES ARE IN μ F, 50V ;
 INDUCTOR VALUES ARE IN H
 UNLESS OTHERWISE NOTED.



(obverse view of "solder" side)



2SC535BTZ
(Q7902)



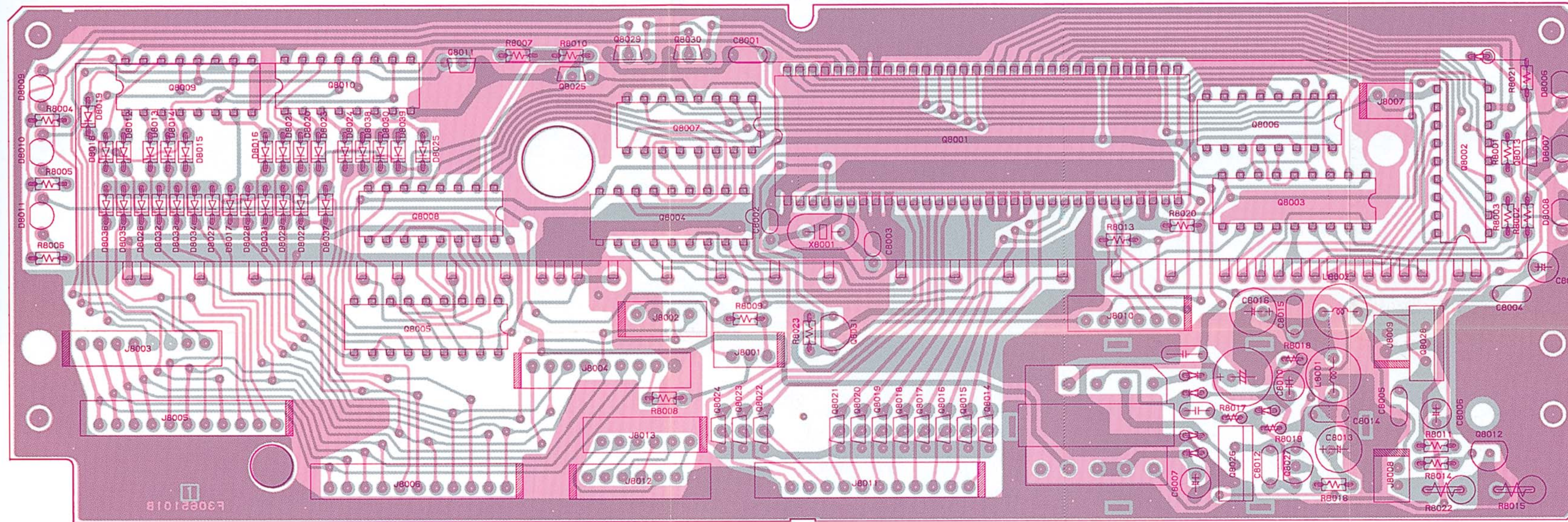
2SK192AGR
(Q7901)

Display Unit Parts List

REF.	DESCRIPTION	VALUE	WV	TOL.	MFGR'S DESIG	YAESU P/N	VERS.
*** DISPLAY UNIT ***							
	PCB with Components					CA0019001	
	Printed Circuit Board					F3065101B	
C 8001	CERAMIC CAP.	0.01uF	50V	F	DD106-979F103Z50	K26170657	
C 8002	CERAMIC CAP.	18pF	50V	CH	DD104-979CH180J50	K26170185	
C 8003	CERAMIC CAP.	18pF	50V	CH	DD104-979CH180J50	K26170185	
C 8004	CERAMIC CAP.	0.01uF	50V	F	DD106-979F103Z50	K26170657	
C 8005	CERAMIC CAP.	0.01uF	50V	F	DD106-979F103Z50	K26170657	
C 8006	AL. ELECTRO. CAP.	10uF	16V		16V100M4X7TR2	K46120004	
C 8007	AL. ELECTRO. CAP.	10uF	16V		16V100M4X7TR2	K46120004	
C 8008	CERAMIC CAP.	0.001uF	500V	E	ECKD2H102PE	K12279001	
C 8009	AL. ELECTRO. CAP.	47uF	63V		RE2-63V470M	K40189005	
C 8010	AL. ELECTRO. CAP.	10uF	16V		16V100M4X7TR2	K46120004	
C 8011	FILM CAP. NNM472K50	0.0047uF	50V		NNM472K50	K50170038	
C 8012	CERAMIC CAP.	0.01uF	50V	F	DD106-979F103Z50	K26170657	
C 8013	AL. ELECTRO. CAP.	100uF	16V		16V101M6X7TR2	K46120007	
C 8014	CERAMIC CAP.	0.01uF	50V	F	DD106-979F103Z50	K26170657	
C 8015	CERAMIC CAP.	0.01uF	50V	F	DD106-979F103Z50	K26170657	
C 8016	AL. ELECTRO. CAP.	22uF	35V		35V220M6X7TR2	K46160006	
C 8018	AL. ELECTRO. CAP.	100uF	16V		16V101M6X7TR2	K46120007	
D 8001	DIODE				RD10EB1	G2090153	
D 8002	DIODE				1SS83	G2090340	
D 8003	DIODE				RD33EB1	G2090257	
D 8004	DIODE				1SS83	G2090340	
D 8005	DIODE				RD5.1EB1	G2090463	
D 8006	LED				LN28PRX-TA7	G2050015	
D 8007	LED				GL3EG44	G2090565	
D 8008	LED				GL3EG44	G2090565	
D 8009	LED				LN28PRX-TA7	G2050015	
D 8010	LED				GL3HS44	G2090675	
D 8011	LED				GL3EG44	G2090565	
D 8012	DIODE				1SS270TJ	G2060004	
D 8013	DIODE				1SS270TJ	G2060004	
D 8014	DIODE				1SS270TJ	G2060004	
D 8015	DIODE				1SS270TJ	G2060004	
D 8016	DIODE				1SS270TJ	G2060004	
D 8017	DIODE				1SS270TJ	G2060004	
D 8018	DIODE				1SS270TJ	G2060004	
D 8019	DIODE				1SS270TJ	G2060004	
D 8020	DIODE				1SS270TJ	G2060004	
D 8021	DIODE				1SS270TJ	G2060004	
D 8022	DIODE				1SS270TJ	G2060004	
D 8023	DIODE				1SS270TJ	G2060004	
D 8024	DIODE				1SS270TJ	G2060004	
D 8025	DIODE				1SS270TJ	G2060004	
D 8026	DIODE				1SS270TJ	G2060004	
D 8027	DIODE				1SS270TJ	G2060004	
D 8028	DIODE				1SS270TJ	G2060004	
D 8029	DIODE				1SS270TJ	G2060004	
D 8030	DIODE				1SS270TJ	G2060004	
D 8031	DIODE				1SS270TJ	G2060004	
D 8032	DIODE				1SS270TJ	G2060004	
D 8033	DIODE				1SS270TJ	G2060004	
D 8034	DIODE				1SS270TJ	G2060004	
D 8035	DIODE				1SS270TJ	G2060004	
D 8036	DIODE				1SS270TJ	G2060004	
D 8037	DIODE				1SS270TJ	G2060004	
D 8038	DIODE				1SS270TJ	G2060004	
D 8039	DIODE				1SS270TJ	G2060004	
D 8040	DIODE				RD47EB	G2090467	
J 8001	CONNECTOR				SC25-03WS	P0090622	
J 8002	CONNECTOR				SC25-04WS	P0090623	
J 8003	CONNECTOR				SC25-08WS	P0090627	
J 8004	CONNECTOR				SC25-09WS	P0090628	
J 8005	CONNECTOR				SC25-11WS	P0090630	
J 8006	CONNECTOR				SC25-11WS	P0090630	
J 8007	CONNECTOR				SC25-02WS	P0090621	
J 8008	CONNECTOR				SC25-02WS	P0090621	
J 8009	CONNECTOR				SC25-02WS	P0090621	
J 8010	CONNECTOR				SC25-05WS	P0090624	
J 8011	CONNECTOR				SC25-12WS	P0090631	

Display Unit Parts List

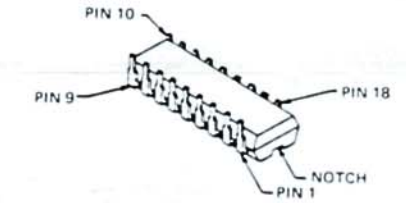
REF.	DESCRIPTION	VALUE	WV	TOL.	MFGR'S DESIG	YAESU P/N	VERS.
J 8012	CONNECTOR				SC25-07WS	P0090626	
J 8013	CONNECTOR				SC25-06WS	P0090625	
L 8001	M. RFC	470uH			RCR-875D-471K	L1190385	
L 8002	M. RFC	470uH			RCR-875D-471K	L1190385	
Q 8001	IC				HD63B05X0B08P	G1091008	
Q 8002	IC				M54564P	G1090836	
Q 8003	IC				M54564P	G1090836	
Q 8004	IC				M54564P	G1090836	
Q 8005	IC				M54564P	G1090836	
Q 8006	IC				UPD74HC238C	G1090979	
Q 8007	IC				UPD74HC238C	G1090979	
Q 8008	IC				UPD74HC238C	G1090979	
Q 8009	IC				MC14028BCP	G1090088	
Q 8010	IC				MC14028BCP	G1090088	
Q 8011	TRANSISTOR				BA1A4P-T	G3050003	
Q 8012	TRANSISTOR				2SD667C	G3406670C	
Q 8013	TRANSISTOR				BA1A4P-T	G3050003	
Q 8014	TRANSISTOR				BN1A4P	G3090075	
Q 8015	TRANSISTOR				BN1A4P-T	G3050002	
Q 8016	TRANSISTOR				BN1A4P	G3090075	
Q 8017	TRANSISTOR				BN1A4P-T	G3050002	
Q 8018	TRANSISTOR				BN1A4P	G3090075	
Q 8019	TRANSISTOR				BN1A4P-T	G3050002	
Q 8020	TRANSISTOR				BN1A4P	G3090075	
Q 8021	TRANSISTOR				BN1A4P-T	G3050002	
Q 8022	TRANSISTOR				BN1A4P-T	G3050002	
Q 8023	TRANSISTOR				BN1A4P	G3090075	
Q 8024	TRANSISTOR				BN1A4P-T	G3050002	
Q 8025	TRANSISTOR				BA1A4P-T	G3050003	
Q 8026	TRANSISTOR				2SC3157	G3331570	
Q 8027	TRANSISTOR				2SC458BTZ	G3304584B	
Q 8028	IC				HA17805P	G1090936	
Q 8029	TRANSISTOR				BA1A4P-T	G3050003	
Q 8030	TRANSISTOR				BA1A4P-T	G3050003	
Q 8031	IC				M51943BSL	G1090840	
Q 8032	TRANSISTOR				2SA733AP	G3107331P	
R 8001	CARBON FILM RES.	6. 8K	1/6W	5%	RD16TPJ682 6. 8K	J07225682	
R 8002	CARBON FILM RES.	6. 8K	1/6W	5%	RD16TPJ682 6. 8K	J07225682	
R 8003	CARBON FILM RES.	6. 8K	1/6W	5%	RD16TPJ682 6. 8K	J07225682	
R 8004	CARBON FILM RES.	470	1/6W	5%	RD16TPJ471 470	J07225471	
R 8005	CARBON FILM RES.	470	1/6W	5%	RD16TPJ471 470	J07225471	
R 8006	CARBON FILM RES.	220	1/6W	5%	RD16TPJ221 220	J07225221	
R 8007	CARBON FILM RES.	10K	1/6W	5%	RD16TPJ103 10K	J07225103	
R 8008	CARBON FILM RES.	680	1/6W	5%	RD16TPJ681 680	J07225681	
R 8009	CARBON FILM RES.	680	1/6W	5%	RD16TPJ681 680	J07225681	
R 8010	CARBON FILM RES.	10K	1/6W	5%	RD16TPJ103 10K	J07225103	
R 8011	CARBON FILM RES.	1K	1/6W	5%	RD16TPJ102 1K	J07225102	
R 8013	CARBON FILM RES.	10K	1/6W	5%	RD16TPJ103 10K	J07225103	
R 8014	CARBON FILM RES.	1K	1/6W	5%	RD16TPJ102 1K	J07225102	
R 8015	METAL FILM RES.	39	2W	10%	RS2B 2W K 39	J20336390	
R 8016	CARBON FILM RES.	680	1/6W	5%	RD16TPJ681 680	J07225681	
R 8017	CARBON FILM RES.	100	1/6W	5%	RD16UJ101 100	J02225101	
R 8018	CARBON FILM RES.	1K	1/6W	5%	RD16UJ102 1K	J02225102	
R 8019	CARBON FILM RES.	6. 8K	1/6W	5%	RD16UJ682 6. 8K	J02225682	
R 8020	CARBON FILM RES.	100K	1/6W	5%	RD16TPJ104 100K	J07225104	
R 8021	CARBON FILM RES.	4. 7K	1/6W	5%	RD16TPJ472 4. 7K	J07225472	
R 8022	METAL FILM RES.	22	2W	10%	RS2B 2W K 22	J20336220	
R 8023	CARBON FILM RES.	10K	1/6W	5%	RD16TPJ103 10K	J07225103	
R 8024	METAL FILM RES.	1	1W	5%	ERX-1ANJ1R0 1	J21305010	
T 8001	DC-DC TRANS.				2710	L3030134	
V 8001	FCD				FIP22BM9	G6090077	
X 8001	CERAMIC OSC				* CSA8. 00MT	H7900580	
	SHIELD CASE					R0131610A	
	SHIELD COVER					R0131620	
	FIP HOLDER					R3131740	
	FIP HOLDER					R3131750	



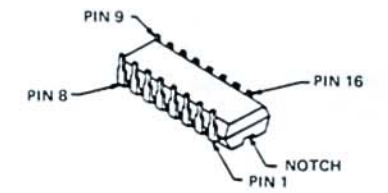
(obverse view of "component" side)



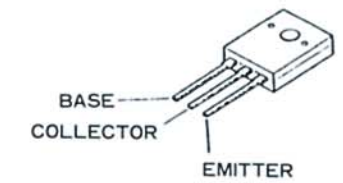
HD63B05X0B08P
(Q8001)



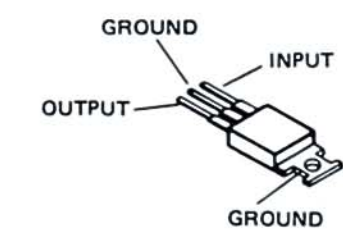
M54564P
(Q8002, Q8003,
Q8004, Q8005)



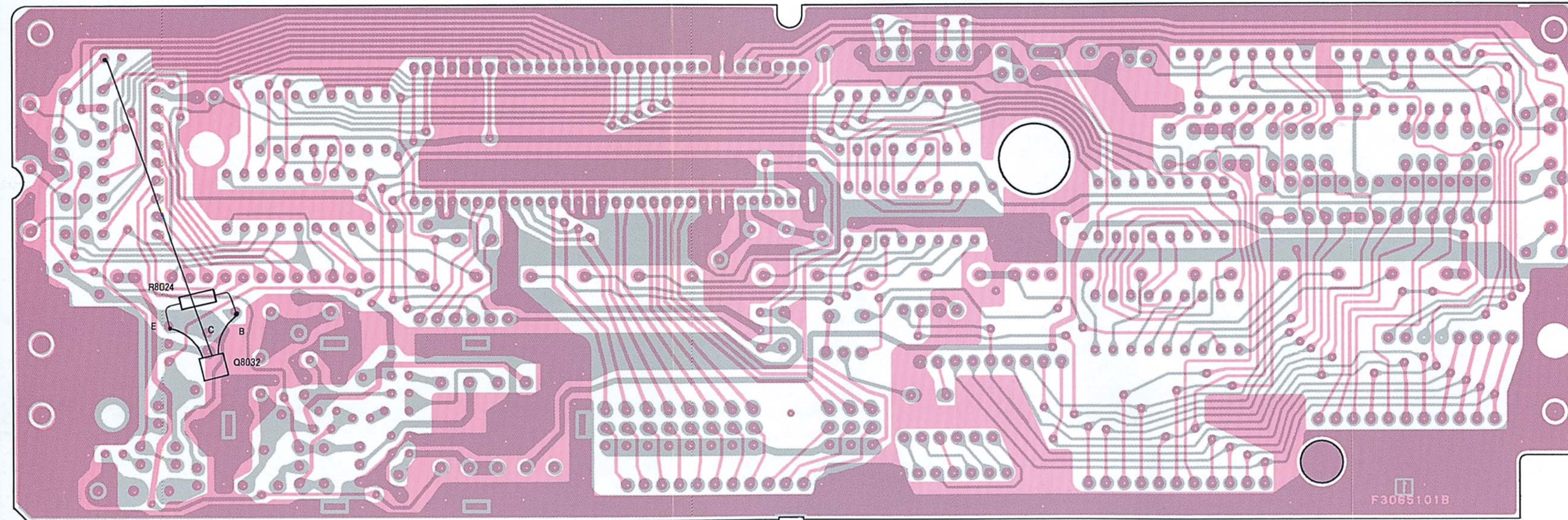
MC14028BCP
(Q8009, Q8010)
μPD74HC238C
(Q8006, Q8007, Q8008)



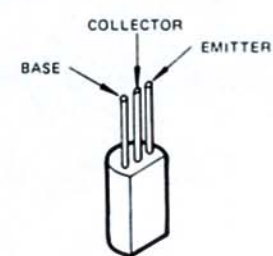
2SC3157
(Q8026)



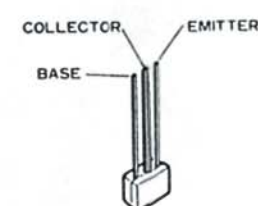
HA17805P
(Q8028)



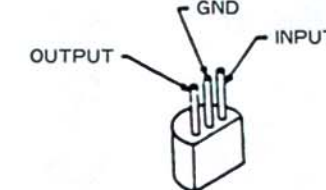
(obverse view of "solder" side)



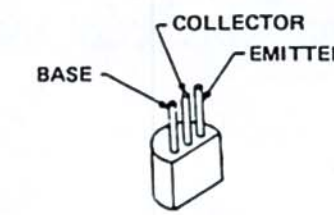
2SD667C
(Q8012)



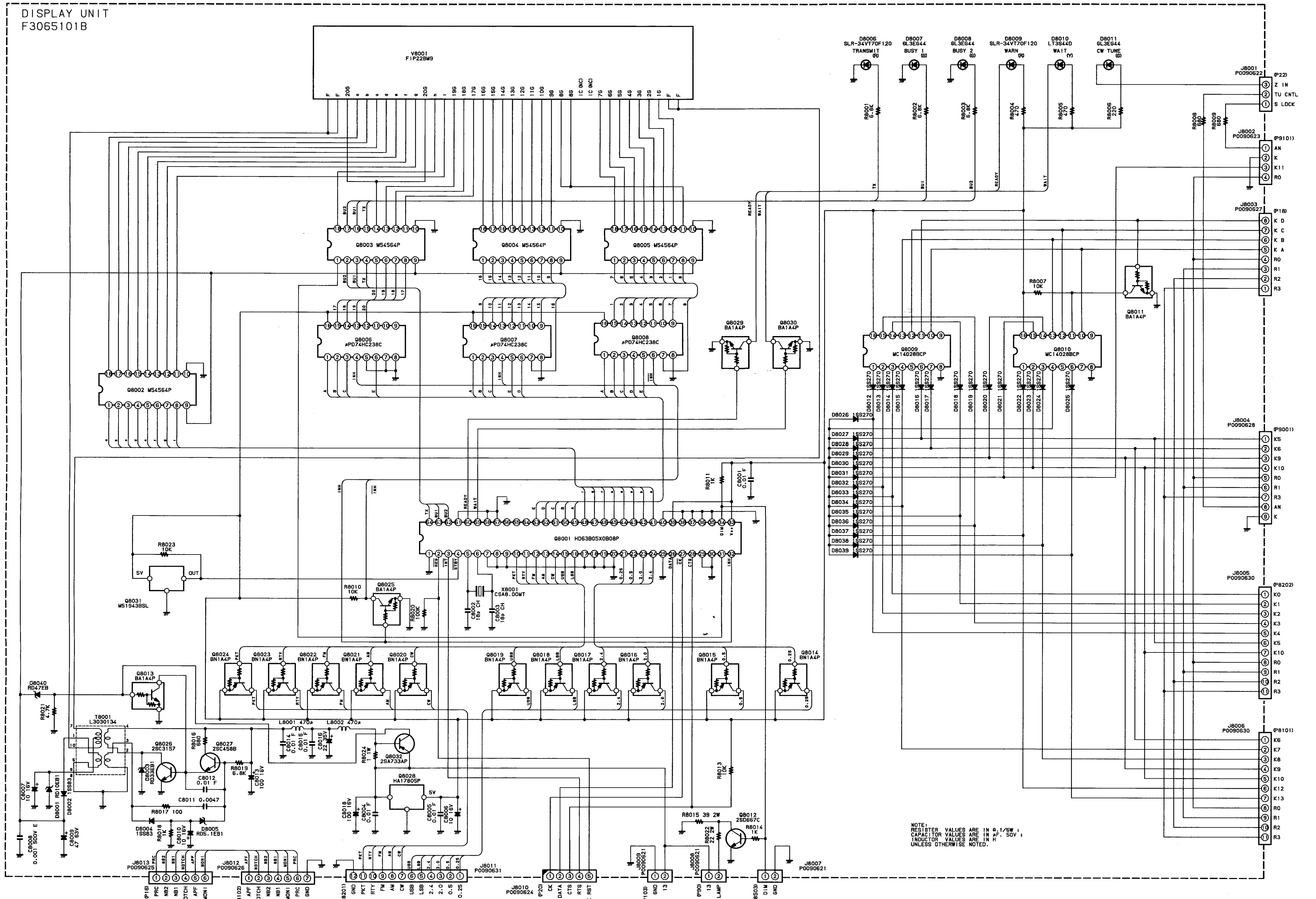
BN1A4P/-T
(Q8014, Q8015, Q8016, Q8017, Q8018, Q8019,
Q8020, Q8021, Q8022, Q8023, Q8024)
BA1A4P
(Q8013, Q8025, Q8029,
Q8030, Q8011)



M51943BSL
(Q8031)



2SC458BTZ
(Q8027)
2SA733AP
(Q8032)

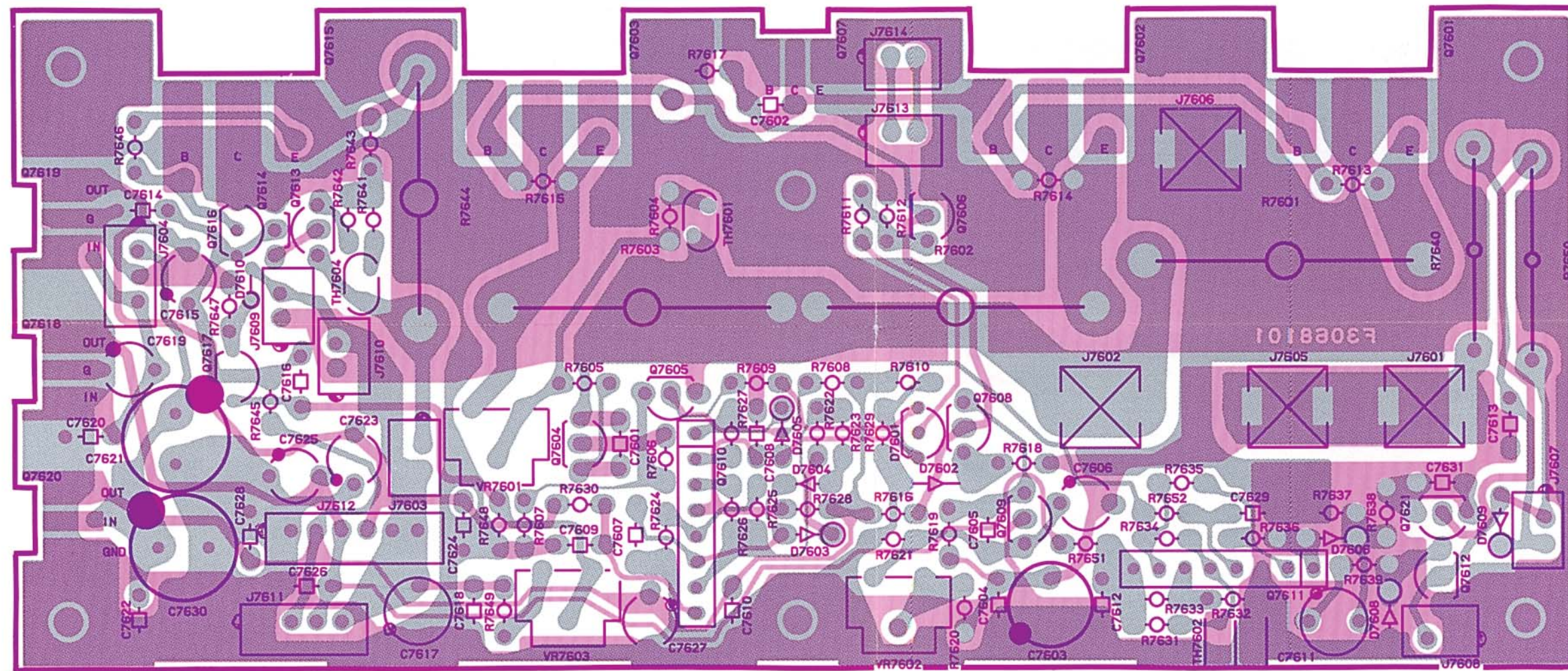


PS Unit Parts List

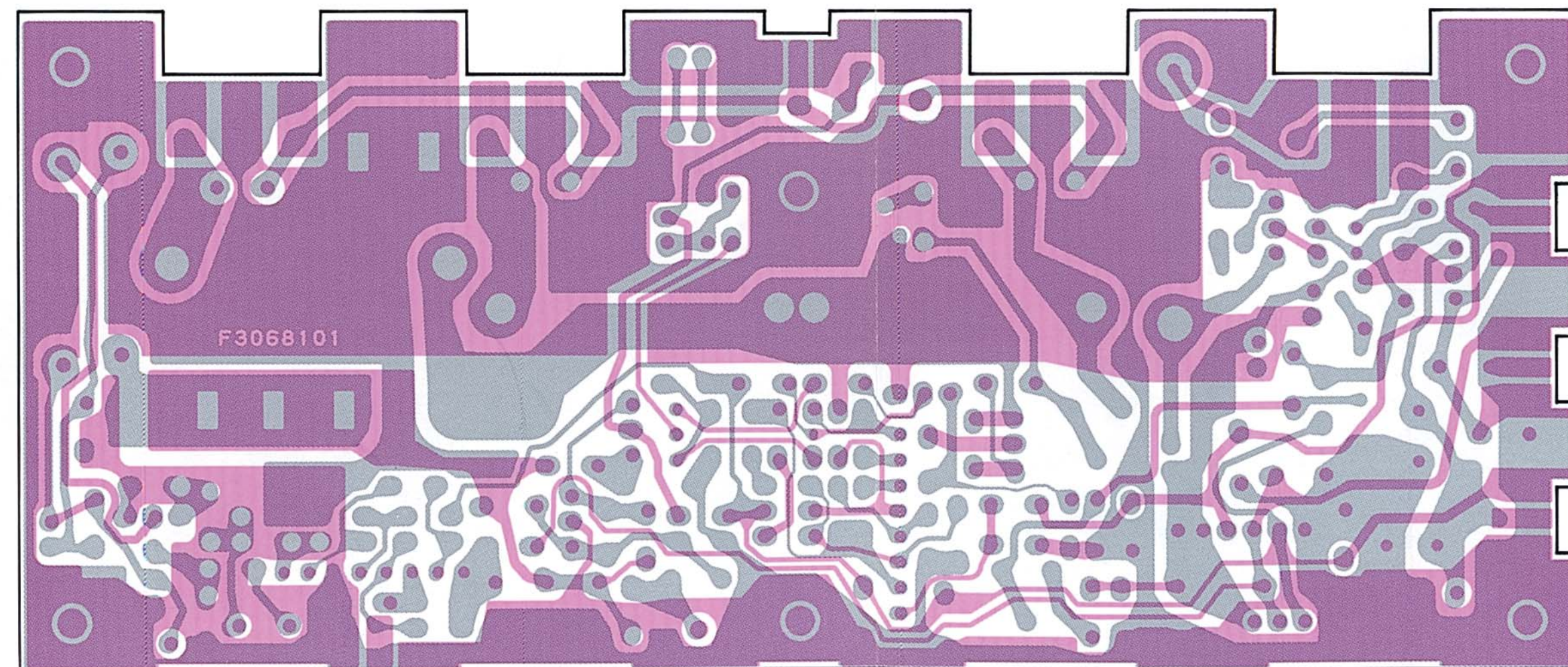
REF.	DESCRIPTION	VALUE	WV	TOL.	MFGR'S DESIG	YAESU P/N	VERS.
*** PS UNIT ***							
	PCB with Components (W/O FITTING PS. HEATSINK PS)					CS0860001	
	Printed Circuit Board					F3068101	
C 7601	CERAMIC CAP.	0.047uF	50V	F	UPO50F473Z-A-B	K28179002	
C 7602	CERAMIC CAP.	0.047uF	50V	F	UPO50F473Z-A-B	K28179002	
C 7603	AL. ELECTRO. CAP.	100uF	50V		50V101M8X11TR5	K46170025	
C 7604	CERAMIC CAP.	0.047uF	50V	F	UPO50F473Z-A-B	K28179002	
C 7605	CERAMIC CAP.	0.047uF	50V	F	UPO50F473Z-A-B	K28179002	
C 7606	AL. ELECTRO. CAP.	10uF	50V		50V100M5X11TR5	K46170021	
C 7607	CERAMIC CAP.	0.1uF	25V	X	UAT10X104K6L36VC	K26140725	
C 7608	CERAMIC CAP.	0.01uF	16V	Y	EPO50Y103N-A	K28129001	
C 7609	CERAMIC CAP.	0.01uF	16V	Y	EPO50Y103N-A	K28129001	
C 7610	CERAMIC CAP.	0.01uF	16V	Y	EPO50Y103N-A	K28129001	
C 7611	AL. ELECTRO. CAP.	220uF	10V		10V221M6X11TR5	K46100005	
C 7612	CERAMIC CAP.	0.01uF	16V	Y	EPO50Y103N-A	K28129001	
C 7613	CERAMIC CAP.	0.047uF	50V	F	UPO50F473Z-A-B	K28179002	
C 7614	CERAMIC CAP.	0.047uF	50V	F	UPO50F473Z-A-B	K28179002	
C 7615	AL. ELECTRO. CAP.	1uF	50V		50V010M5X11TR5	K46170017	
C 7616	CERAMIC CAP.	0.022uF	25V	X	UAT06X223K6L36VC	K26140717	
C 7617	AL. ELECTRO. CAP.	100uF	25V		25V101M6X11TR5	K46140005	
C 7618	CERAMIC CAP.	0.047uF	50V	F	UPO50F473Z-A-B	K28179002	
C 7619	AL. ELECTRO. CAP.	10uF	50V		50V100M5X11TR5	K46170021	
C 7620	CERAMIC CAP.	0.047uF	50V	F	UPO50F473Z-A-B	K28179002	
C 7621	AL. ELECTRO. CAP.	470uF	25V		RE2-25V471M	K40149037	
C 7622	CERAMIC CAP.	0.047uF	50V	F	UPO50F473Z-A-B	K28179002	
C 7623	AL. ELECTRO. CAP.	47uF	25V		25V470M5X11TR5	K46140004	
C 7624	CERAMIC CAP.	0.047uF	50V	F	UPO50F473Z-A-B	K28179002	
C 7625	AL. ELECTRO. CAP.	47uF	25V		25V470M5X11TR5	K46140004	
C 7626	CERAMIC CAP.	0.047uF	50V	F	UPO50F473Z-A-B	K28179002	
C 7627	AL. ELECTRO. CAP.	10uF	50V		50V100M5X11TR5	K46170021	
C 7628	CERAMIC CAP.	0.047uF	50V	F	UPO50F473Z-A-B	K28179002	
C 7629	CERAMIC CAP.	0.01uF	16V	Y	EPO50Y103N-A	K28129001	
C 7630	AL. ELECTRO. CAP.	470uF	25V		RE2-25V471M	K40149037	
C 7631	CERAMIC CAP.	0.047uF	50V	F	UPO50F473Z-A-B	K28179002	
C 7632	AL. ELECTRO. CAP.	2.2uF	50V		RE2-50V2R2M	K40179040	
D 7601	SCR				SF0R3G42	G3090128	
D 7602	DIODE				RD4.7EB2-T1	G2060006	
D 7603	DIODE				1SS270TJ	G2060004	
D 7604	DIODE				1SS270TJ	G2060004	
D 7605	DIODE				1SS270TJ	G2060004	
D 7606	DIODE				1SS270TJ	G2060004	
D 7608	DIODE				1SS270TJ	G2060004	
D 7609	DIODE				1SS270TJ	G2060004	
D 7610	DIODE				HZ6C1	G2090111	
J 7601	TERMINAL				B4100970	R0100970	
J 7602	TERMINAL				B4100970	R0100970	
J 7603	CONNECTOR				SC25-02WS	P0090621	
J 7604	CONNECTOR				SC25-03WS	P0090622	
J 7605	TERMINAL				B4100970	R0100970	
J 7606	TERMINAL				B4100970	R0100970	
J 7607	CONNECTOR				SC25-02WS	P0090621	
J 7608	CONNECTOR				SC25-02WS	P0090621	
J 7609	CONNECTOR				SC25-02WS	P0090621	
J 7610	CONNECTOR				SC25-02WS	P0090621	
J 7611	CONNECTOR				SC25-04WS	P0090623	
J 7612	CONNECTOR				SC25-06WS	P0090625	
J 7613	CONNECTOR				SC25-02WS	P0090621	
J 7614	CONNECTOR				SC25-02WS	P0090621	
Q 7601	TRANSISTOR				2SC2987Q	G3329870Q	
Q 7602	TRANSISTOR				2SC2987Q	G3329870Q	
Q 7603	TRANSISTOR				2SC2987Q	G3329870Q	
Q 7604	TRANSISTOR				2SC945AQ-T	G3309454Q	
Q 7605	TRANSISTOR				2SA733AQ(T)	G3107334Q	
Q 7606	TRANSISTOR				2SA733AQ(T)	G3107334Q	
Q 7607	TRANSISTOR				2SB5950	G32059500	
Q 7608	TRANSISTOR				2SA733AQ(T)	G3107334Q	
Q 7609	TRANSISTOR				2SA733AQ(T)	G3107334Q	
Q 7610	IC				M5218AL	G1091140	
Q 7611	IC				M5218AL	G1091140	
Q 7612	TRANSISTOR				2SD667D TZ	G3406674D	
Q 7613	TRANSISTOR				2SC945AQ-T	G3309454Q	

PS Unit Parts List

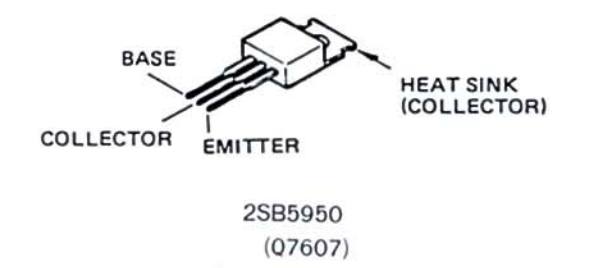
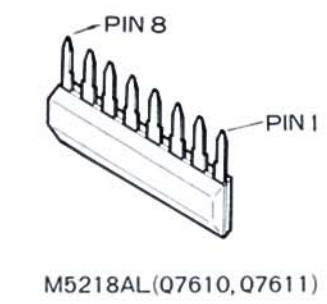
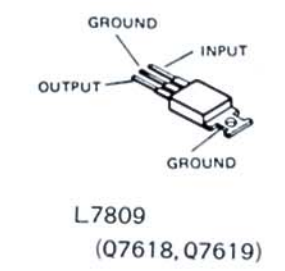
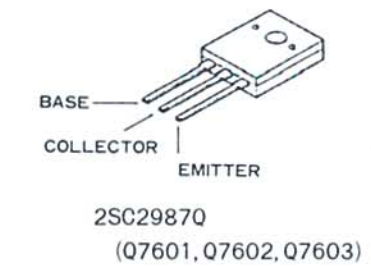
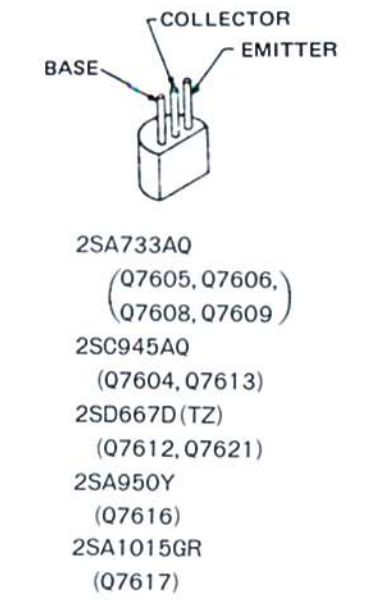
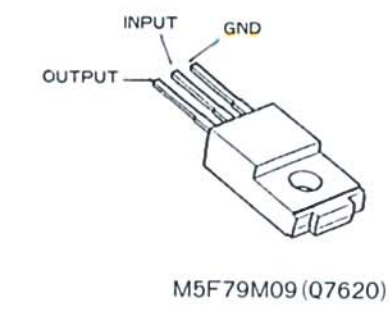
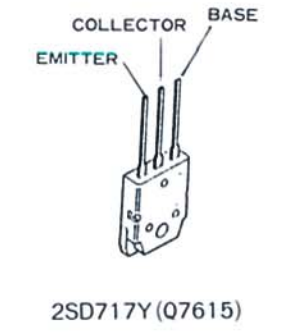
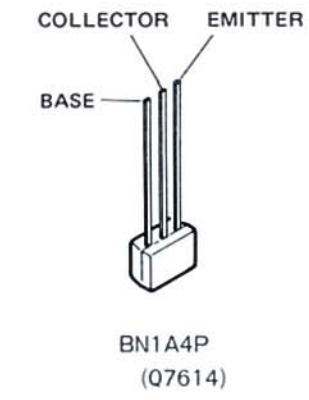
REF.	DESCRIPTION	VALUE	WV	TOL.	MFGR'S DESIG	YAESU P/N	VERS.
Q 7614	TRANSISTOR				BN1A4P-T	G3050002	
Q 7615	TRANSISTOR				2SD717Y	G3407170Y	
Q 7616	TRANSISTOR				2SA950Y	G3109500Y	
Q 7617	TRANSISTOR				2SA1015GR	G3110150G	
Q 7618	IC				L7809	G1090778	
Q 7619	IC				L7809	G1090778	
Q 7620	IC				M5F79M09	G1090973	
Q 7621	TRANSISTOR				2SD667D TZ	G3406674D	
R 7601	CEMENT RES.	0. 1	5W	10%	ERF-5AKOR1	J30376019	
R 7602	CEMENT RES.	0. 1	5W	10%	ERF-5AKOR1	J30376019	
R 7603	CEMENT RES.	0. 1	5W	10%	ERF-5AKOR1	J30376019	
R 7604	CARBON FILM RES.	47	1/6W	5%	RD16TPJ470	47 J07225470	
R 7605	CARBON FILM RES.	2. 2K	1/6W	5%	RD16TPJ222	2. 2K J07225222	
R 7606	CARBON FILM RES.	22K	1/6W	5%	RD16TPJ223	22K J07225223	
R 7607	CARBON FILM RES.	47K	1/6W	5%	RD16TPJ473	47K J07225473	
R 7608	CARBON FILM RES.	10K	1/6W	5%	RD16TPJ103	10K J07225103	
R 7609	CARBON FILM RES.	2. 2K	1/6W	5%	RD16TPJ222	2. 2K J07225222	
R 7610	CARBON FILM RES.	4. 7K	1/6W	5%	RD16TPJ472	4. 7K J07225472	
R 7611	CARBON FILM RES.	4. 7K	1/6W	5%	RD16TPJ472	4. 7K J07225472	
R 7612	CARBON FILM RES.	47K	1/6W	5%	RD16TPJ473	47K J07225473	
R 7613	CARBON FILM RES.	2. 2K	1/6W	5%	RD16TPJ222	2. 2K J07225222	
R 7614	CARBON FILM RES.	2. 2K	1/6W	5%	RD16TPJ222	2. 2K J07225222	
R 7615	CARBON FILM RES.	2. 2K	1/6W	5%	RD16TPJ222	2. 2K J07225222	
R 7616	CARBON FILM RES.	1K	1/6W	5%	RD16TPJ102	1K J07225102	
R 7617	CARBON FILM RES.	10K	1/6W	5%	RD16TPJ103	10K J07225103	
R 7618	CARBON FILM RES.	4. 7K	1/6W	5%	RD16TPJ472	4. 7K J07225472	
R 7619	CARBON FILM RES.	2. 7K	1/6W	5%	RD16TPJ272	2. 7K J07225272	
R 7620	CARBON FILM RES.	2. 2K	1/6W	5%	RD16TPJ222	2. 2K J07225222	
R 7621	CARBON FILM RES.	680	1/6W	5%	RD16TPJ681	680 J07225681	
R 7622	CARBON FILM RES.	330K	1/6W	5%	RD16TPJ334	330K J07225334	
R 7623	CARBON FILM RES.	10K	1/6W	5%	RD16TPJ103	10K J07225103	
R 7624	CARBON FILM RES.	1M	1/6W	5%	RD16TPJ105	1M J07225105	
R 7625	CARBON FILM RES.	150K	1/6W	5%	RD16TPJ154	150K J07225154	
R 7626	CARBON FILM RES.	47K	1/6W	5%	RD16TPJ473	47K J07225473	
R 7627	CARBON FILM RES.	47K	1/6W	5%	RD16TPJ473	47K J07225473	
R 7628	CARBON FILM RES.	100	1/6W	5%	RD16TPJ101	100 J07225101	
R 7629	CARBON FILM RES.	2. 2K	1/6W	5%	RD16TPJ222	2. 2K J07225222	
R 7630	CARBON FILM RES.	100	1/6W	5%	RD16TPJ101	100 J07225101	
R 7631	CARBON FILM RES.	4. 7K	1/6W	5%	RD16TPJ472	4. 7K J07225472	
R 7632	CARBON FILM RES.	10K	1/6W	5%	RD16TPJ103	10K J07225103	
R 7633	CARBON FILM RES.	10K	1/6W	5%	RD16TPJ103	10K J07225103	
R 7634	CARBON FILM RES.	100K	1/6W	5%	RD16TPJ104	100K J07225104	
R 7635	CARBON FILM RES.	47K	1/6W	5%	RD16TPJ473	47K J07225473	
R 7636	CARBON FILM RES.	47K	1/6W	5%	RD16TPJ473	47K J07225473	
R 7637	CARBON FILM RES.	10K	1/6W	5%	RD16TPJ103	10K J07225103	
R 7638	CARBON FILM RES.	4. 7K	1/6W	5%	RD16TPJ472	4. 7K J07225472	
R 7639	CARBON FILM RES.	2. 2K	1/6W	5%	RD16TPJ222	2. 2K J07225222	
R 7640	METAL FILM RES.	27	3W	5%	ERG-3SJ270	J22359003	
R 7641	CARBON FILM RES.	270	1/6W	5%	RD16TPJ271	270 J07225271	
R 7642	CARBON FILM RES.	2. 2K	1/6W	5%	RD16TPJ222	2. 2K J07225222	
R 7643	CARBON FILM RES.	270	1/6W	5%	RD16TPJ271	270 J07225271	
R 7644	CEMENT RES.	0. 2	2W	5%	2W 0. 2-OHM J	J30335029	
R 7645	CARBON FILM RES.	4. 7K	1/6W	5%	RD16TPJ472	4. 7K J07225472	
R 7646	CARBON FILM RES.	2. 2K	1/6W	5%	RD16TPJ222	2. 2K J07225222	
R 7647	CARBON FILM RES.	820	1/6W	5%	RD16TPJ821	820 J07225821	
R 7648	CARBON FILM RES.	4. 7K	1/6W	5%	RD16TPJ472	4. 7K J07225472	
R 7649	CARBON FILM RES.	3. 3K	1/6W	5%	RD16TPJ332	3. 3K J07225332	
R 7650	METAL FILM RES.	120	3W	5%	ERG-3SJ121	120 J22359004	
R 7651	CARBON FILM RES.	100	1/6W	5%	RD16TPJ101	100 J07225101	
R 7652	CARBON FILM RES.	100	1/6W	5%	RD16TPJ101	100 J07225101	
TH7601	THERMISTOR				112201-2	G9090026	
TH7602	THERMISTOR				112103-2	G9090043	
TH7604	THERMISTOR				112201-2	G9090026	
VR7601	POT.	330B			H1052A004-330B	J50709331	
VR7602	POT.	4. 7KB			H1052A011-4. 7KB	J50709472	
VR7603	POT.	4. 7KB			H1052A011-4. 7KB	J50709472	
	MYLAR SHEET INSULATOR				TO-220 AC-316A	Q9000030 Q9000125	
	FITTING FITTING PS EARTH PLATE HEATSINK PS					R0123770A R0132210 R0134980A R5513450	

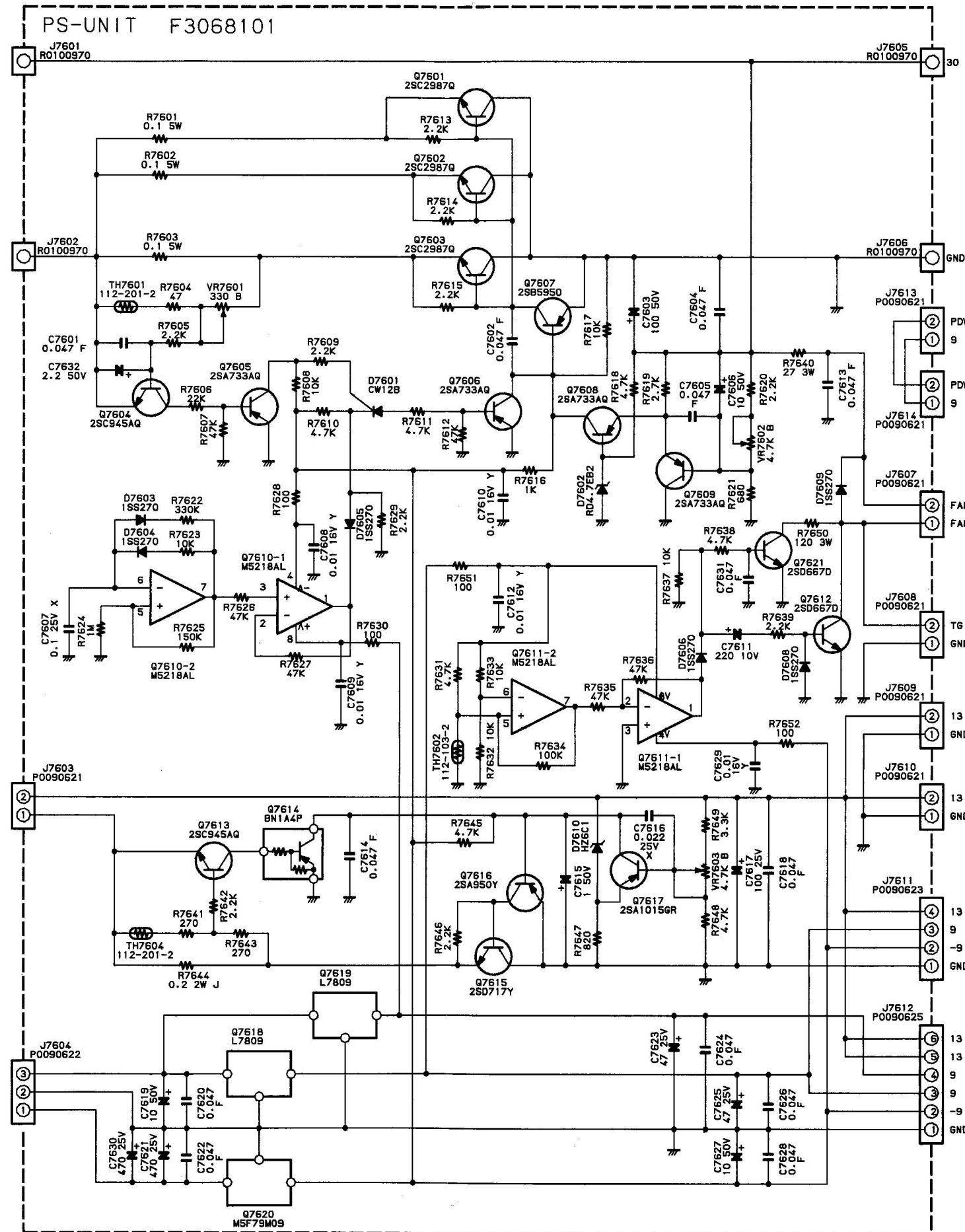


(obverse view of "component" side)



(obverse view of "solder" side)





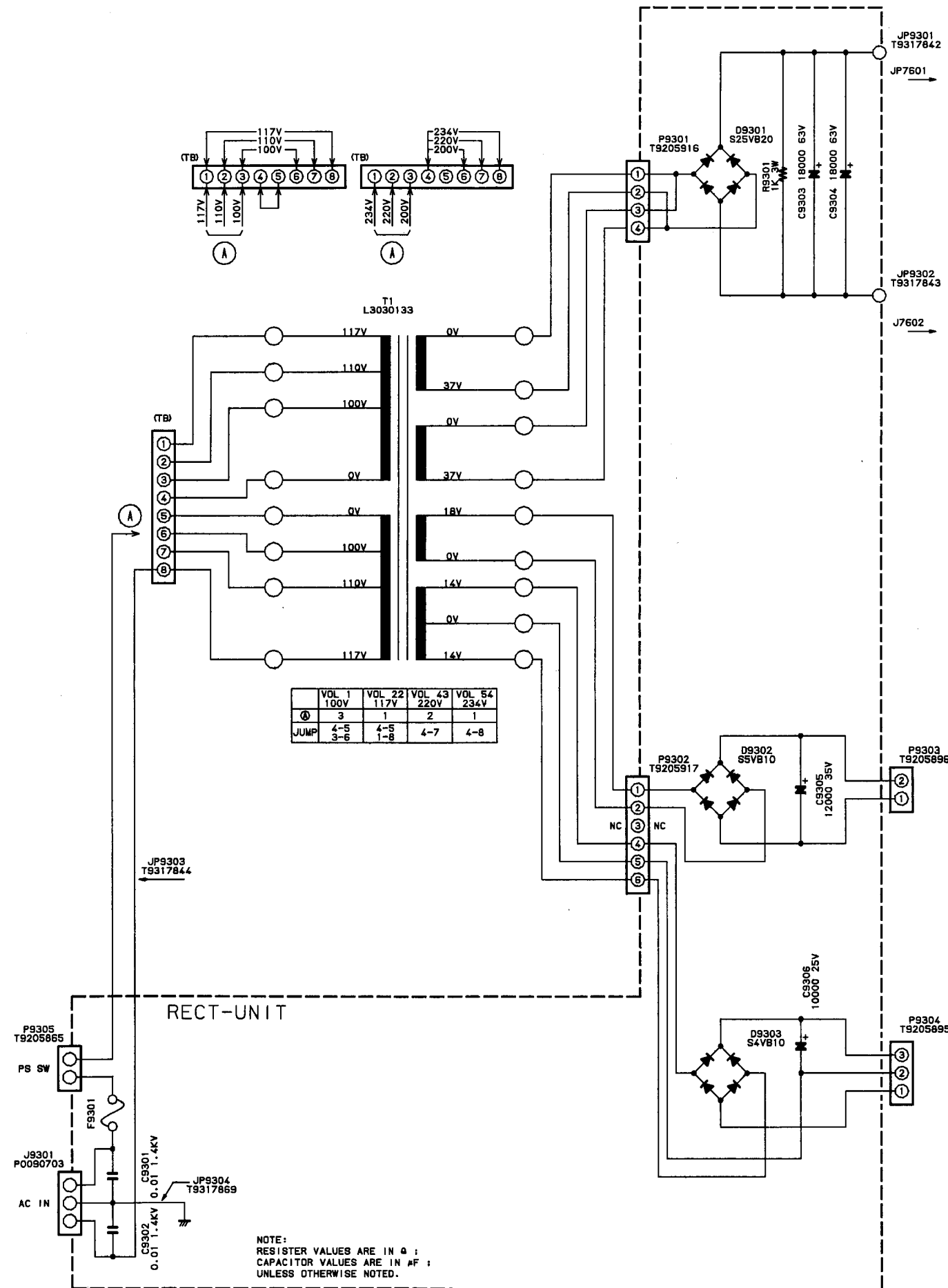
NOTE:
RESISTOR VALUES ARE IN Ω, 1/6W ;
CAPACITOR VALUES ARE IN μF, 50V ;
UNLESS OTHERWISE NOTED.

Rectifier(RECT) Unit Parts List

REF.	DESCRIPTION	VALUE	WV	TOL.	MFGR'S DESIG	YAESU P/N	VERS.
*** RECT UNIT ***							
PCB with Components							
Printed Circuit Board							
C 9301	CERAMIC CAP.	0.01uF	2.6KV	F	ECKATS103MF	K13359001	
C 9302	CERAMIC CAP.	0.01uF	2.6KV	F	ECKATS103MF	K13359001	
C 9303	AL. ELECTRO. CAP.	18000uF	63V		L-63V183MS-A	K43180002	
C 9304	AL. ELECTRO. CAP.	18000uF	63V		L-63V183MS-A	K43180002	
C 9305	AL. ELECTRO. CAP.	12000uF	35V		L-35V123MS-EB	K43160006	
C 9306	AL. ELECTRO. CAP.	10000uF	25V		L-25V103MS-A	K43140008	
D 9301	DIODE				S25VB20	G2090361	
D 9302	DIODE				S5VB20	G2090629	
D 9303	DIODE				S4VB20	G2090627	
F 9301	FUSE				15A	Q0000008	VOL 11
F 9301	FUSE				15A	Q0000008	VOL 21
F 9301	FUSE				15A	Q0000008	VOL 22
F 9301	FUSE				8A	Q0000039	VOL 41
F 9301	FUSE				8A	Q0000039	VOL 43
F 9301	FUSE				8A	Q0000039	VOL 53
F 9301	FUSE				8A	Q0000039	VOL 54
FH9301	FUSE				S-N2059#03	P2000012	
J 9301	CONNECTOR				WCF1061B23	P0090703	
JP9301	WIRE-ASSY					T9317842	
JP9302	WIRE-ASSY					T9317843	
JP9303	WIRE-ASSY					T9317844	
JP9304	WIRE-ASSY					T9317869	
P 9301	WIRE-ASSY					T9205916	
P 9302	WIRE-ASY 2710					T9205917	
P 9303	WIRE-ASSY					T9205895	
P 9304	WIRE-ASSY					T9205896	
P 9305	WIRE-ASSY					T9205865	
R 9301	METAL FILM RES.	1K	3W	10%	RS3B 3W K 1K	J20356102	
	FITTING RECT					R0132220	
	FITTING FAN					R0132910	
	CHASSIS RECT					R0805780B	
	SPONGE (4pcs)					R7132950	
	SPONGE					R7132960	
	WIRE BIND (2pcs)				PLT-1M BK-1	S3000022	

VERS.	Voltage
VOL 11	110V-2W
VOL 21	117V-2W
VOL 22	117V-3W (UL)
VOL 41	220V-2W
VOL 43	220V-3W (EU)
VOL 53	234V-3W (EU)
VOL 54	234V-3WP

Notes

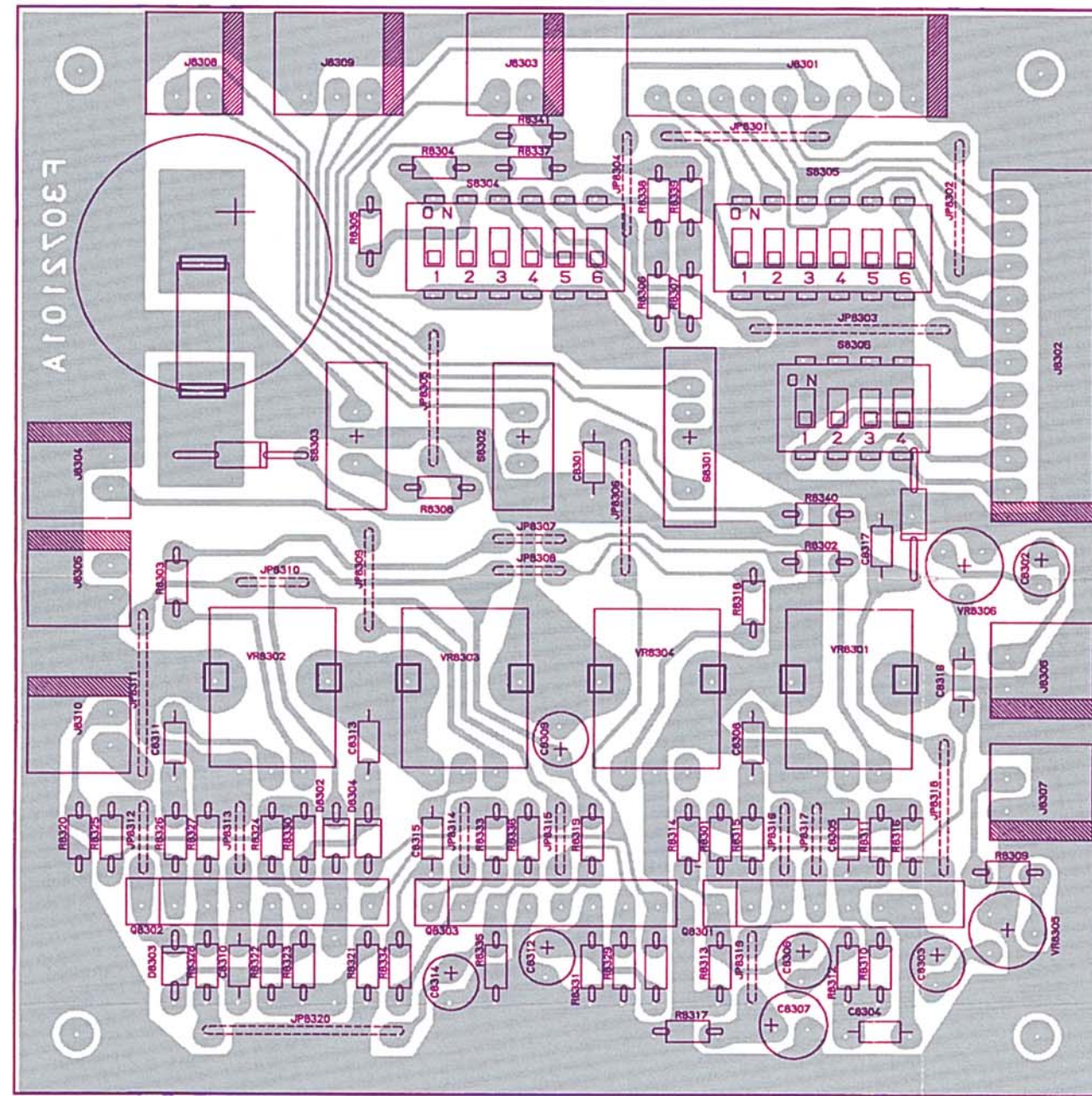


Switch(SW) A Unit Parts List

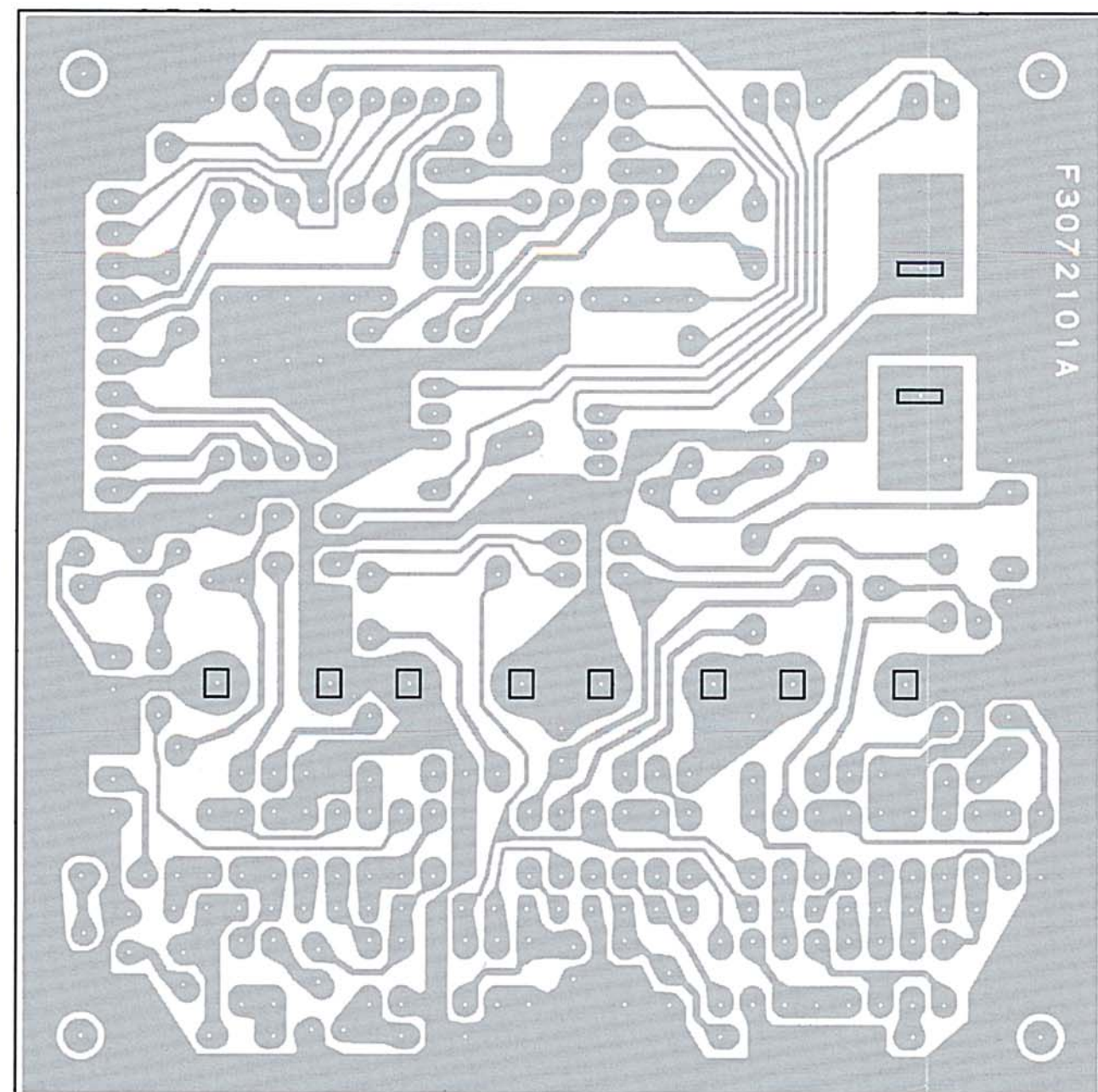
REF.	DESCRIPTION	VALUE	WV	TOL.	MFGR'S DESIG	YAESU P/N	VERS.
*** SW-A UNIT ***							
	PCB with Components					CA0092001	
	Printed Circuit Board					F3072101A	
BT8301	LITHIUM BATTERY		3V		CR2032-HM4	Q9000268	
C 8301	CERAMIC CAP.	0.01uF	16V	Y	EP050Y103N-A	K28129001	
C 8302	AL. ELECTRO. CAP.	1uF	50V		50V010M4X7TR2	K46170030	
C 8303	AL. ELECTRO. CAP.	1uF	50V		50V010M4X7TR2	K46170030	
C 8304	CERAMIC CAP.	0.0068uF	16V	X	EP050X682M-A-B	K28129006	
C 8305	CERAMIC CAP.	0.0033uF	16V	X	EP050X332M-A-B	K28129004	
C 8306	AL. ELECTRO. CAP.	1uF	50V		50V010M4X7TR2	K46170030	
C 8307	AL. ELECTRO. CAP.	22uF	16V		16V220M5X7TR2	K46120005	
C 8308	CERAMIC CAP.	0.0047uF	16V	X	EP050X472M-A-B	K28129005	
C 8309	AL. ELECTRO. CAP.	3.3uF	50V		50V3R3M4X7TR2	K46170032	
C 8310	CERAMIC CAP.	0.047uF	50V	F	UP050F473Z-A-B	K28179002	
C 8311	CERAMIC CAP.	0.047uF	50V	F	UP050F473Z-A-B	K28179002	
C 8312	AL. ELECTRO. CAP.	10uF	16V		16V100M4X7TR2	K46120004	
C 8313	CERAMIC CAP.	0.047uF	50V	F	UP050F473Z-A-B	K28179002	
C 8314	AL. ELECTRO. CAP.	10uF	16V		16V100M4X7TR2	K46120004	
C 8315	CERAMIC CAP.	0.047uF	50V	F	UP050F473Z-A-B	K28179002	
C 8316	CERAMIC CAP.	0.1uF	50V	F	RT-DXSE85SKYF104Z	K26170728	
C 8317	CERAMIC CAP.	0.01uF	16V	Y	EP050Y103N-A	K28129001	
C 8318	CERAMIC CAP.	22pF	50V	SL	DD104SL220J50	K00175220	
C 8319	CERAMIC CAP.	0.047uF	50V	F	UP050F473Z-A-B	K28179002	
D 8301	DIODE				1SS97	G2090118	
D 8302	DIODE				1SS270TJ	G2060004	
D 8303	DIODE				1SS270TJ	G2060004	
D 8304	DIODE				1SS270TJ	G2060004	
D 8305	DIODE				HZ5C1	G2090188	
J 8301	CONNECTOR				SC25-09WL	P0090716	
J 8302	CONNECTOR				SC25-10WL	P0090717	
J 8303	CONNECTOR				SC25-02WL	P0090712	
J 8304	CONNECTOR				SC25-02WL	P0090712	
J 8305	CONNECTOR				SC25-02WL	P0090712	
J 8306	CONNECTOR				SC25-02WL	P0090712	
J 8307	CONNECTOR				SC25-02WL	P0090712	
J 8308	CONNECTOR				SC25-02WL	P0090712	
J 8309	CONNECTOR				SC25-03WL	P0090637	
J 8310	CONNECTOR				SC25-02WL	P0090712	
Q 8301	IC				M5223AL	G1092954	
Q 8302	IC				M5223AL	G1092954	
Q 8303	IC				M5223AL	G1092954	
R 8301	CARBON FILM RES.	1M	1/6W	5%	RD16TPJ105	1M	J07225105
R 8302	CARBON FILM RES.	2.2K	1/6W	5%	RD16TPJ222	2.2K	J07225222
R 8303	CARBON FILM RES.	2.2K	1/6W	5%	RD16TPJ222	2.2K	J07225222
R 8304	CARBON FILM RES.	2.7K	1/6W	5%	RD16TPJ272	2.7K	J07225272
R 8305	CARBON FILM RES.	3.3K	1/6W	5%	RD16TPJ332	3.3K	J07225332
R 8306	CARBON FILM RES.	3.3K	1/6W	5%	RD16TPJ332	3.3K	J07225332
R 8307	CARBON FILM RES.	4.7K	1/6W	5%	RD16TPJ472	4.7K	J07225472
R 8308	CARBON FILM RES.	4.7K	1/6W	5%	RD16TPJ472	4.7K	J07225472
R 8309	CARBON FILM RES.	4.7K	1/6W	5%	RD16TPJ472	4.7K	J07225472
R 8310	CARBON FILM RES.	12K	1/6W	5%	RD16TPJ123	12K	J07225123
R 8311	CARBON FILM RES.	1M	1/6W	5%	RD16TPJ105	1M	J07225105
R 8312	CARBON FILM RES.	12K	1/6W	5%	RD16TPJ123	12K	J07225123
R 8313	CARBON FILM RES.	3.3K	1/6W	5%	RD16TPJ332	3.3K	J07225332
R 8314	CARBON FILM RES.	3.3M	1/6W	5%	RD16TPJ335	3.3M	J07225335
R 8315	CARBON FILM RES.	4.7K	1/6W	5%	RD16TPJ472	4.7K	J07225472
R 8316	CARBON FILM RES.	4.7K	1/6W	5%	RD16TPJ472	4.7K	J07225472
R 8317	CARBON FILM RES.	3.3K	1/6W	5%	RD16TPJ332	3.3K	J07225332
R 8318	CARBON FILM RES.	47K	1/6W	5%	RD16TPJ473	47K	J07225473
R 8319	CARBON FILM RES.	1K	1/6W	5%	RD16TPJ102	1K	J07225102
R 8320	CARBON FILM RES.	470K	1/6W	5%	RD16TPJ474	470K	J07225474
R 8321	CARBON FILM RES.	470K	1/6W	5%	RD16TPJ474	470K	J07225474
R 8322	CARBON FILM RES.	2.2K	1/6W	5%	RD16TPJ222	2.2K	J07225222

Switch(SW) A Unit Parts List

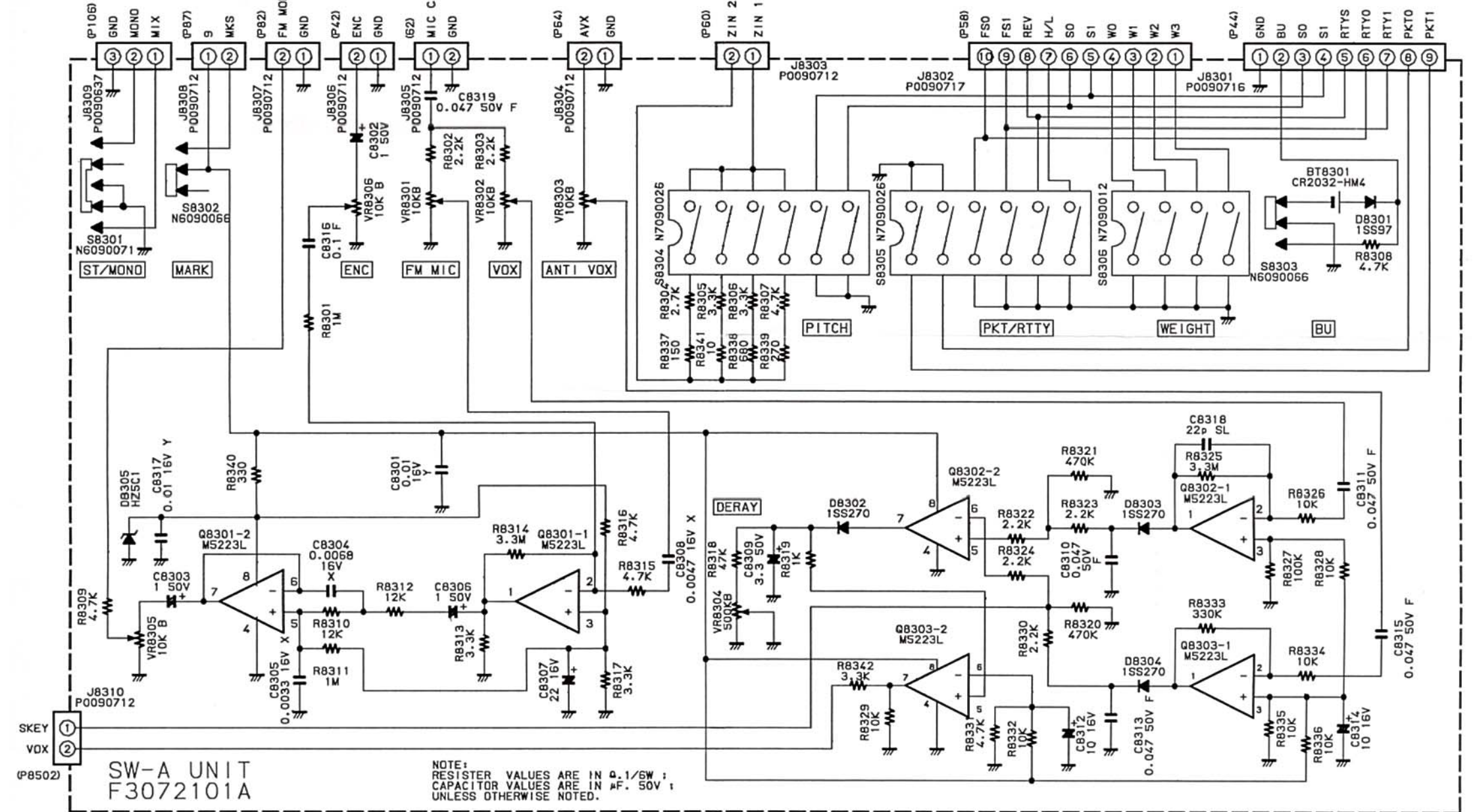
REF.	DESCRIPTION	VALUE	WV	TOL.	MFGR'S DESIG	YAESU P/N	VERS.
R 8323	CARBON FILM RES.	2. 2K	1/6W	5%	RD16TPJ222 2. 2K	J07225222	
R 8324	CARBON FILM RES.	2. 2K	1/6W	5%	RD16TPJ222 2. 2K	J07225222	
R 8325	CARBON FILM RES.	3. 3M	1/6W	5%	RD16TPJ335 3. 3M	J07225335	
R 8326	CARBON FILM RES.	10K	1/6W	5%	RD16TPJ103 10K	J07225103	
R 8327	CARBON FILM RES.	100K	1/6W	5%	RD16TPJ104 100K	J07225104	
R 8328	CARBON FILM RES.	10K	1/6W	5%	RD16TPJ103 10K	J07225103	
R 8329	CARBON FILM RES.	10K	1/6W	5%	RD16TPJ103 10K	J07225103	
R 8330	CARBON FILM RES.	2. 2K	1/6W	5%	RD16TPJ222 2. 2K	J07225222	
R 8331	CARBON FILM RES.	4. 7K	1/6W	5%	RD16TPJ472 4. 7K	J07225472	
R 8332	CARBON FILM RES.	10K	1/6W	5%	RD16TPJ103 10K	J07225103	
R 8333	CARBON FILM RES.	330K	1/6W	5%	RD16TPJ334 330K	J07225334	
R 8334	CARBON FILM RES.	10K	1/6W	5%	RD16TPJ103 10K	J07225103	
R 8335	CARBON FILM RES.	10K	1/6W	5%	RD16TPJ103 10K	J07225103	
R 8336	CARBON FILM RES.	10K	1/6W	5%	RD16TPJ103 10K	J07225103	
R 8337	CARBON FILM RES.	150	1/6W	5%	RD16TPJ151 150	J07225151	
R 8338	CARBON FILM RES.	680	1/6W	5%	RD16TPJ681 680	J07225681	
R 8339	CARBON FILM RES.	270	1/6W	5%	RD16TPJ271 270	J07225271	
R 8340	CARBON FILM RES.	330	1/6W	5%	RD16TPJ331 330	J07225331	
R 8341	CARBON FILM RES.	10	1/6W	5%	RD16TPJ100 10	J07225100	
R 8342	CARBON FILM RES.	3. 3K	1/6W	5%	RD16TPJ332 3. 3K	J07225332	
S 8301	SLIDE SWITCH				SSSS91	N6090071	
S 8302	SLIDE SWITCH				SS912L4NS	N6090066	
S 8303	SLIDE SWITCH				SS912L4NS	N6090066	
S 8304	DIP SWITCH SCS-06A				SCS-06A R66-3342	N7090026	
S 8305	DIP SWITCH SCS-06A				SCS-06A R66-3342	N7090026	
S 8306	DIP SWITCH SCS-04A				SCS-04A R66-3245	N7090012	
VR8301	POT.	10KB			RK09K1130 10KB	J60800159	
VR8302	POT.	10KB			RK09K1130 10KB	J60800159	
VR8303	POT.	10KB			RK09K1130 10KB	J60800159	
VR8304	POT.	500KB			RK09K1130 500KB	J60800160	
VR8305	POT.	10KB			H0651A013-10KB	J51745103	
VR8306	POT.	10KB			H0651A013-10KB	J51745103	



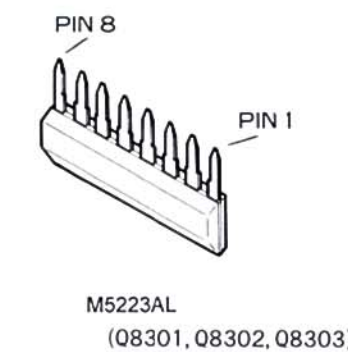
(obverse view of "component" side)



(obverse view of "solder" side)



(schematic diagram)

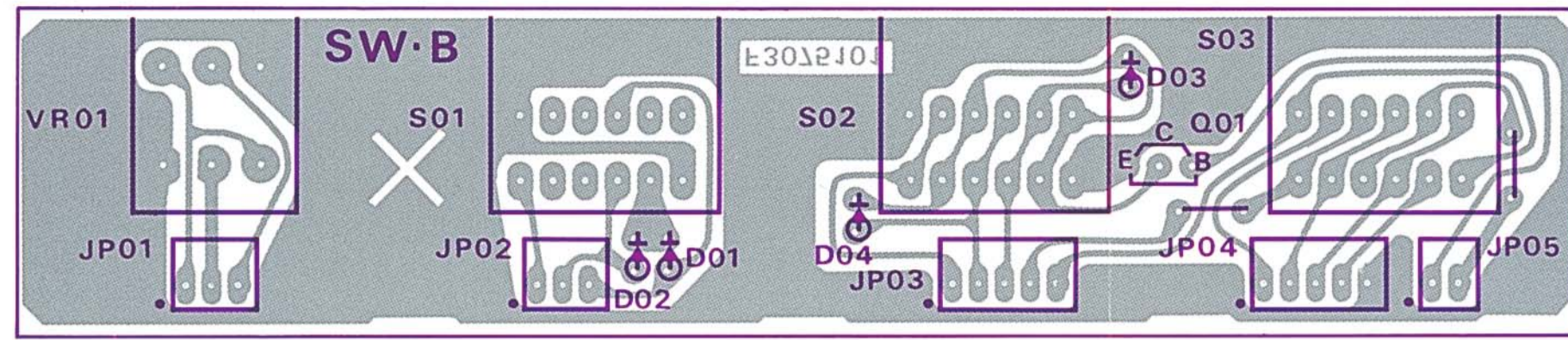


M5223AL
(08301, 08302, 08303)

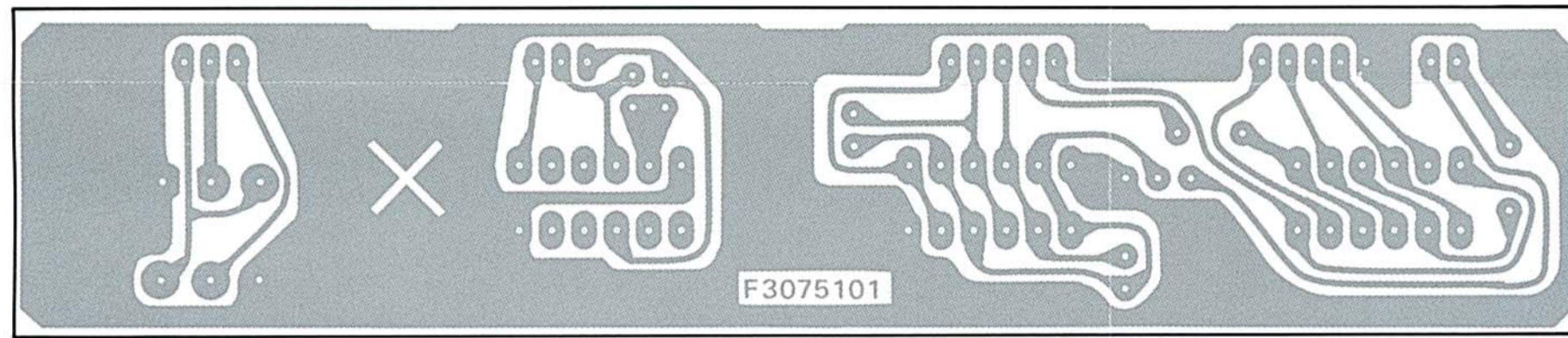
Switch B & C Units Parts Lists

REF.	DESCRIPTION	VALUE	WV	TOL.	MFGR'S DESIG	YAESU P/N	VERS.
*** SW-B UNIT ***							
	PCB with Components					CP2231001	
	Printed Circuit Board					F3075101	
D 8401	DIODE				1SS270	G2090408	
D 8402	DIODE				1SS270	G2090408	
D 8403	DIODE				1SS270	G2090408	
D 8404	DIODE				1SS270	G2090408	
JP8401	WIRE-ASSY					T9205872	
JP8402	WIRE-ASSY					T9205873C	
JP8403	WIRE-ASSY					T9205874	
JP8404	WIRE-ASSY					T9205875	
JP8405	WIRE-ASSY					T9205876	
JP8406	JUMPER WIRE C 0.6-5.			0.6-5.0		Q6100015	
JP8407	JUMPER WIRE C 0.6-5.			0.6-5.0		Q6100015	
Q 8401	TRANSISTOR				BA1A4P	G3090079	
S 8401	ROTARY SWITCH SRBU15				SRBU15	N0190149	
S 8402	ROTARY SWITCH SRBU14				SRBU14	N0190148	
S 8403	ROTARY SWITCH SRBU16				SRBU16	N0190150	
VR8401	POT.	10KB/10KB			RK12 10KB/10KB	J62800105	
	FITTING					R0131450	
*** SW-C UNIT ***							
	PCB with Components					CP2222001	
	Printed Circuit Board					F3074101	
D 8501	LED				GL3EG44	G2090565	
D 8502	LED				GL3EG44	G2090565	
J 8501	CONNECTOR				SC25-03WS	P0090622	
JP8501	WIRE-ASSY					T9205877	
JP8502	WIRE-ASSY					T9205878	
JP8503	WIRE-ASSY					T9205879	
JP8504	WIRE-ASSY					T9205880B	
Q 8501	TRANSISTOR				BA1A4P	G3090079	
R 8501	CARBON FILM RES.	1K	1/6W	5%	RD16UJ102	1K	J02225102
R 8502	CARBON FILM RES.	1K	1/6W	5%	RD16UJ102	1K	J02225102
S 8501	PUSH SWITCH				SPH121A94	N4090086	
S 8502	PUSH SWITCH				SPH121A94	N4090086	
S 8503	PUSH SWITCH				SPH121A94	N4090086	
S 8504	PUSH SWITCH				SPH121A94	N4090086	

Notes

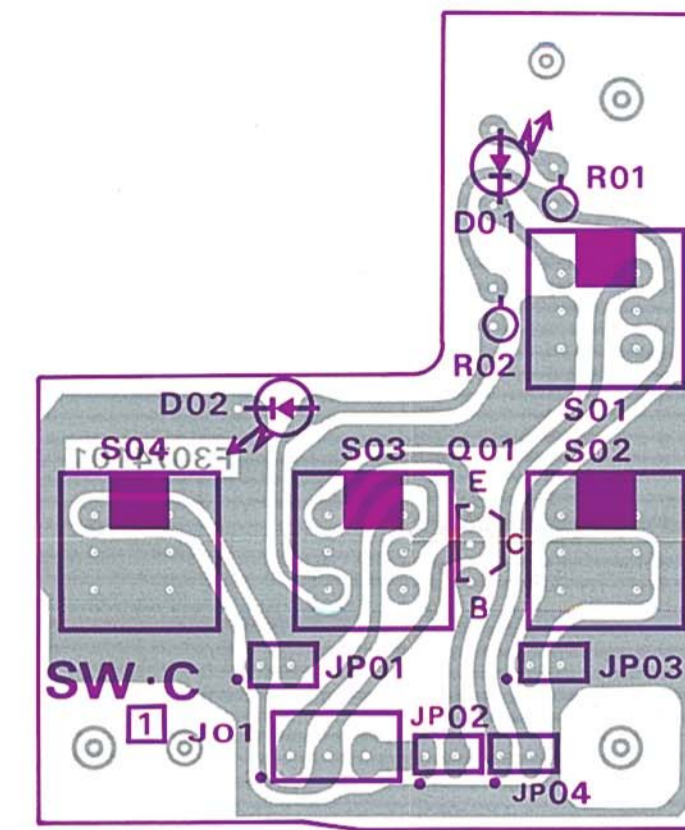


(obverse view of "component" side)

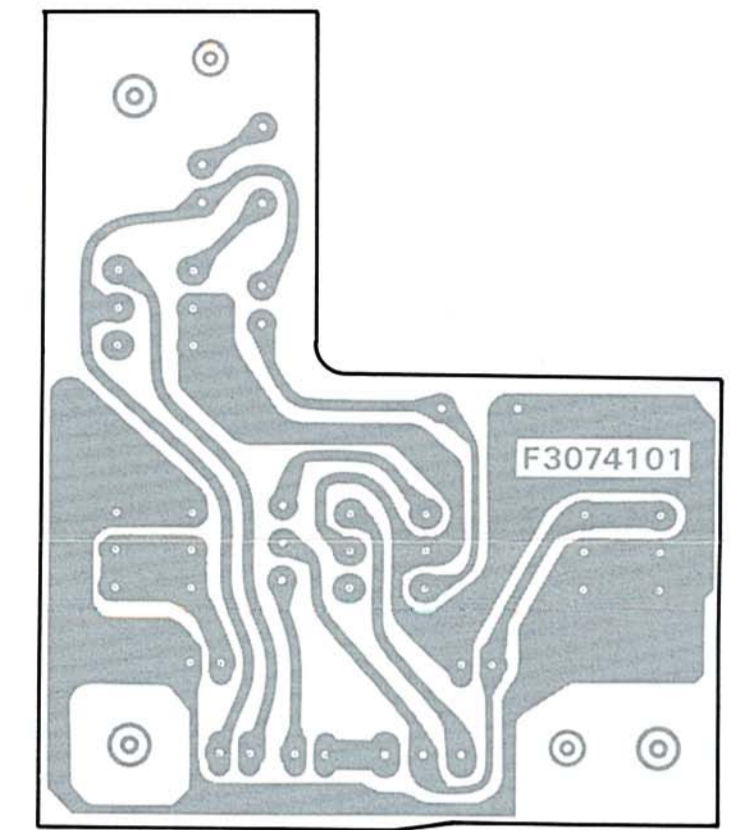


(obverse view of "solder" side)

SW B UNIT

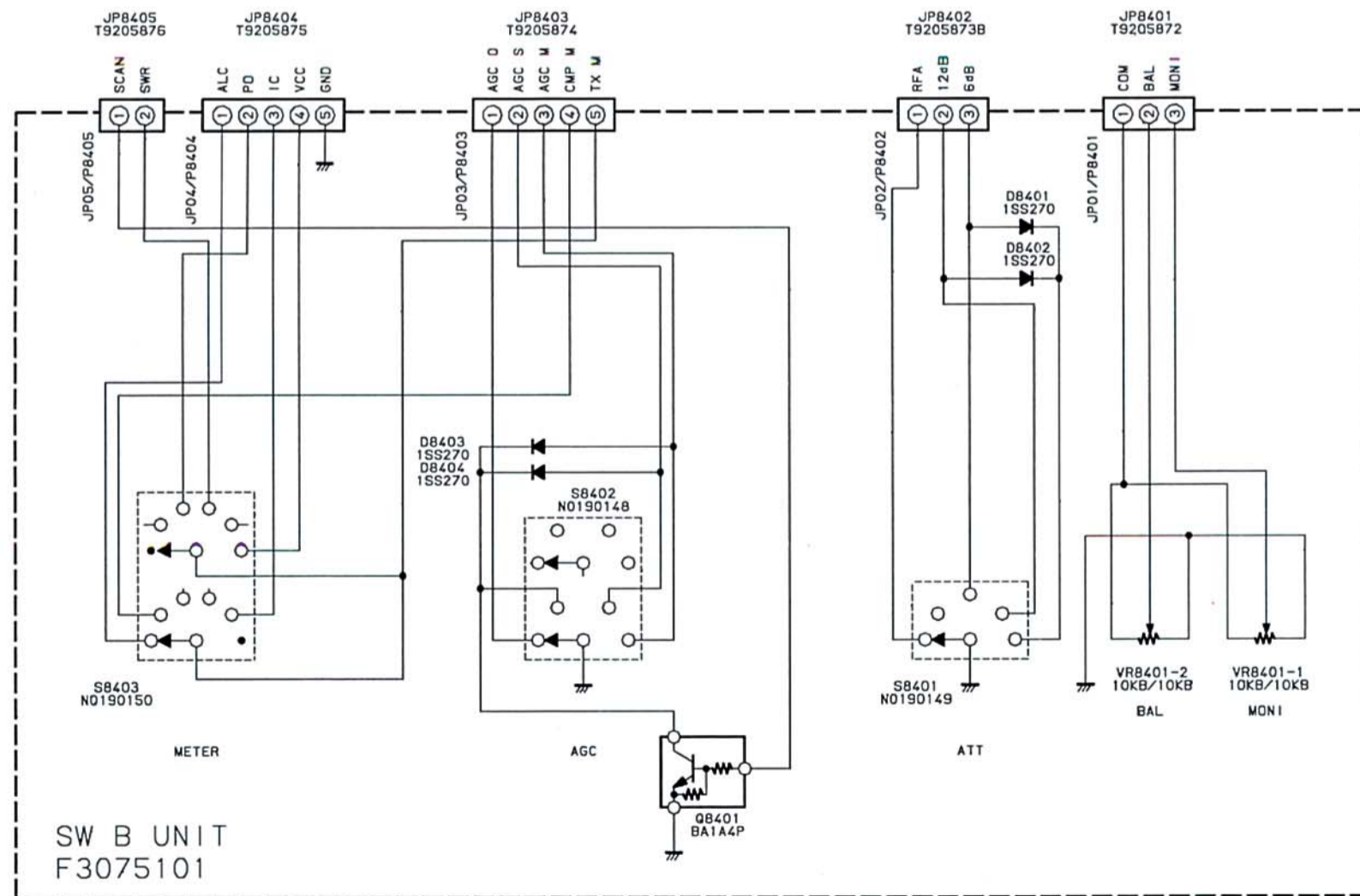
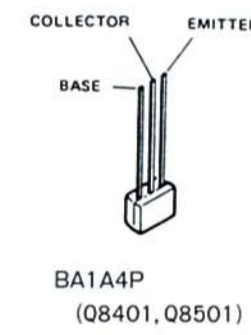


(obverse view of "component" side)

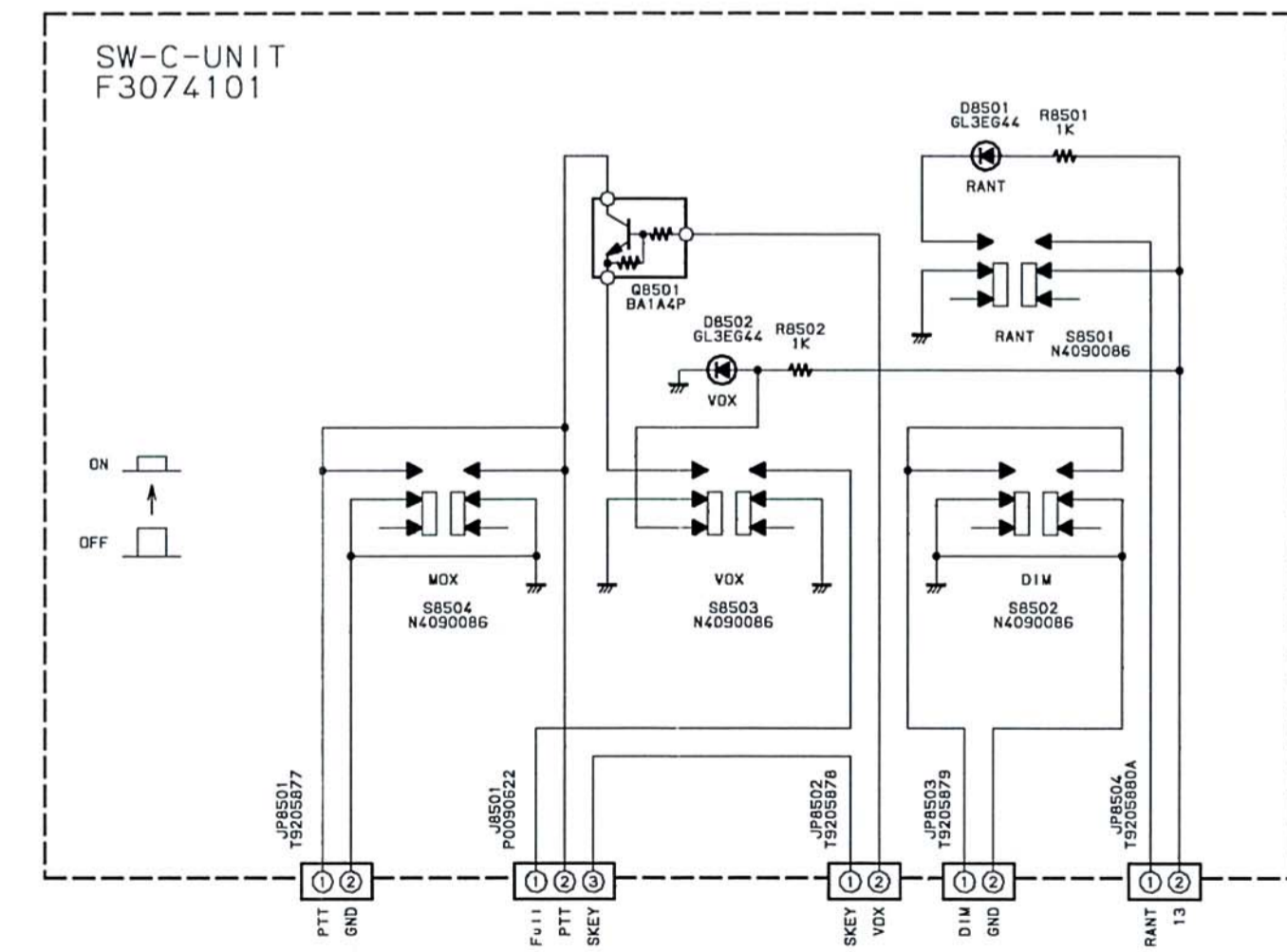


(obverse view of "solder" side)

SW C UNIT



(SW B UNIT schematic diagram)

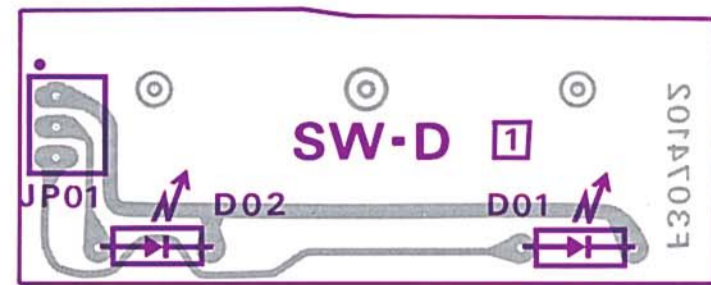


(SW C UNIT schematic diagram)

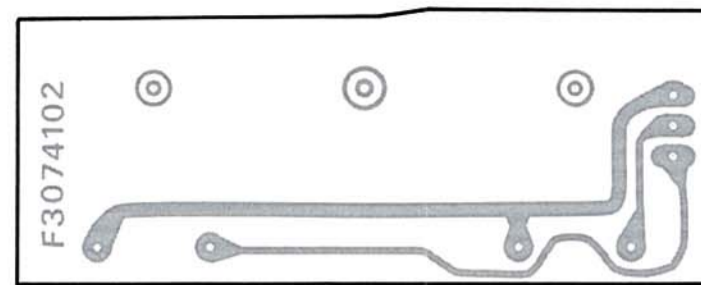
NOTE:
RESISTOR VALUES ARE IN Ω, 1/10W

Switch D, E & F Units Parts Lists

REF.	DESCRIPTION	VALUE	WV	TOL.	MFGR'S DESIG	YAESU P/N	VERS.
*** SW-D UNIT ***							
	PCB with Components					CP2223001	
	Printed Circuit Board					F3074102	
D 8601	LED				TLO221	G2090461	
D 8602	LED				TLG221	G2090458	
JP8601	WIRE-ASSY					T9205881	
*** SW-E UNIT ***							
	PCB with Components					CP2232001	
	Printed Circuit Board					F3075102	
JP8701	WIRE-ASSY					T9205882	
JP8702	WIRE-ASSY					T9205883	
JP8703	WIRE-ASSY					T9205884	
S 8701	ROTARY SWITCH SRRS2R				SRRS2R	N0190147	
S 8702	ROTARY CODE S. W.				EC16B25D	Q9000524	
	FITTING					R0131430	
*** SW-F UNIT ***							
	PCB with Components					CP2224001	
	Printed Circuit Board					F3074103	
C 8801	CERAMIC CAP.	0.001uF	50V	B	UP050B102K-A-B	K28179001	
D 8801	LED				GL3EG44	G2090565	
JP8801	WIRE-ASSY					T9205885	
JP8802	WIRE-ASSY					T9205886	
JP8803	WIRE-ASSY					T9205887	
JP8804	WIRE-ASSY					T9205888	
JP8805	WIRE-ASSY					T9205889	
JP8806	JUMPER WIRE C 0.6-5.				0.6-5.0	Q6100015	
JP8807	JUMPER WIRE C 0.6-5.				0.6-5.0	Q6100015	
JP8808	JUMPER WIRE C 0.6-5.				0.6-5.0	Q6100015	
R 8801	CARBON FILM RES.	680	1/6W	5%	RD16UJ681	680	J02225681
S 8801	PUSH SWITCH				SPH221A	N4090085	
S 8802	PUSH SWITCH				SPH221A	N4090085	
S 8803	PUSH SWITCH				SPH221A	N4090085	

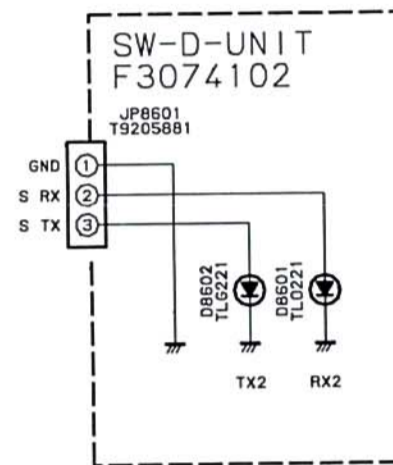


(obverse view of "component" side)

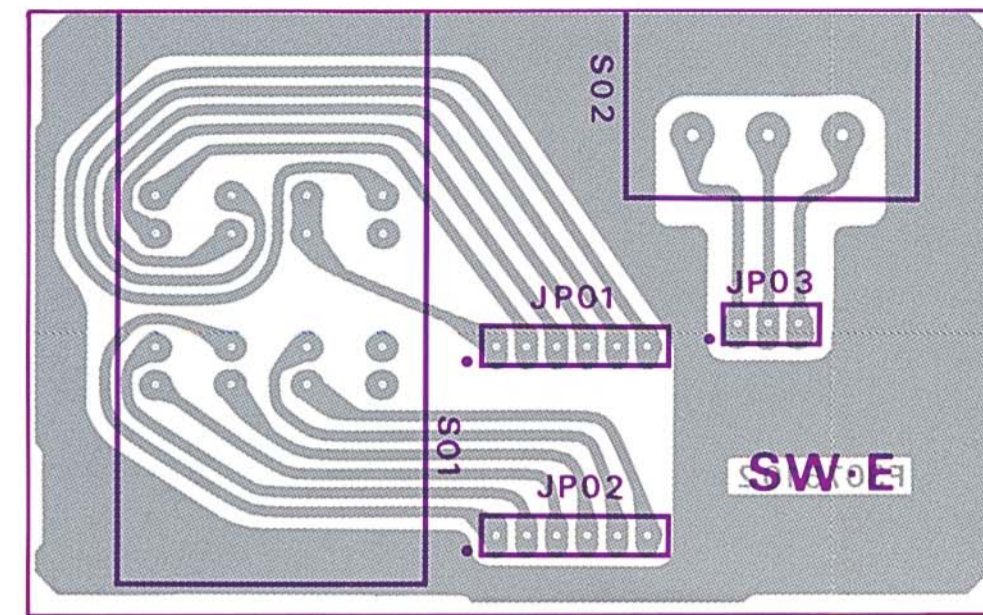


(obverse view of "solder" side)

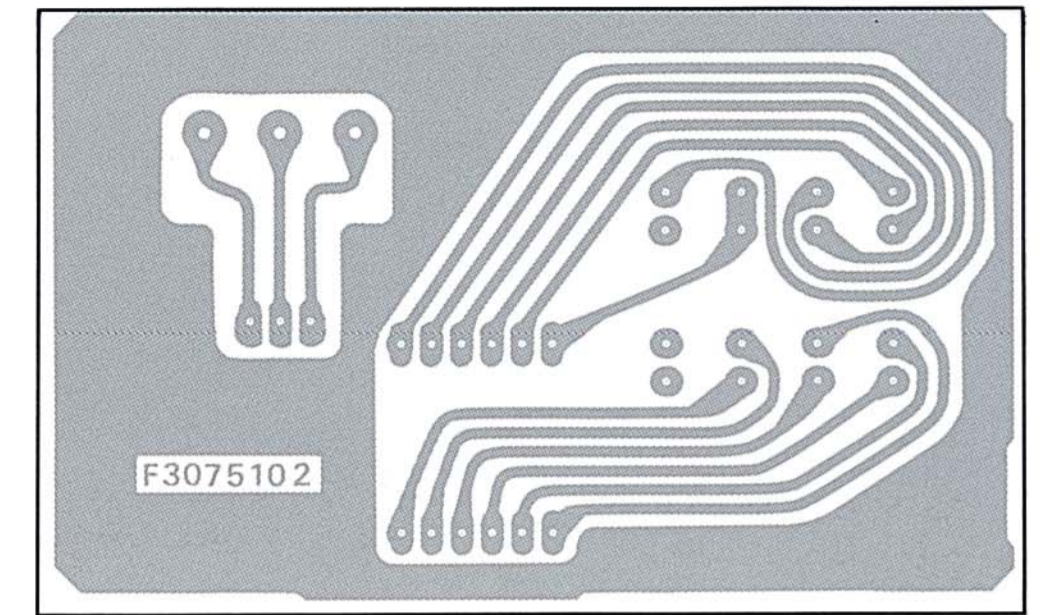
SW D UNIT



(SW D UNIT schematic diagram)

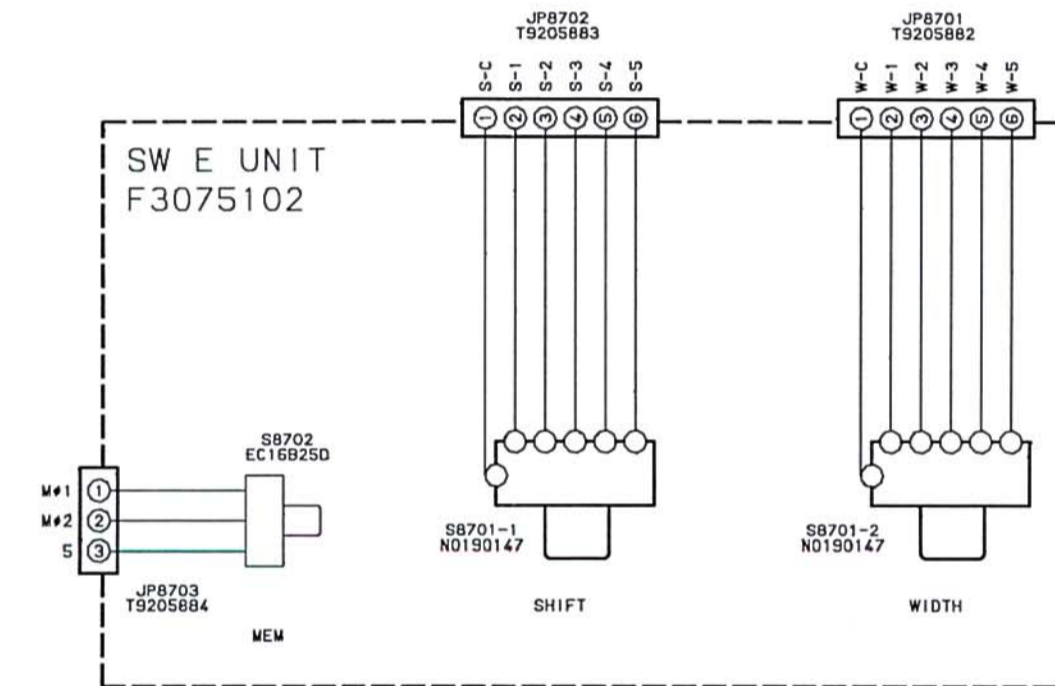


(obverse view of "component" side)

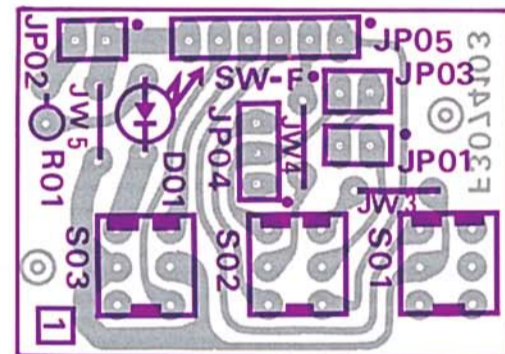


(obverse view of "solder" side)

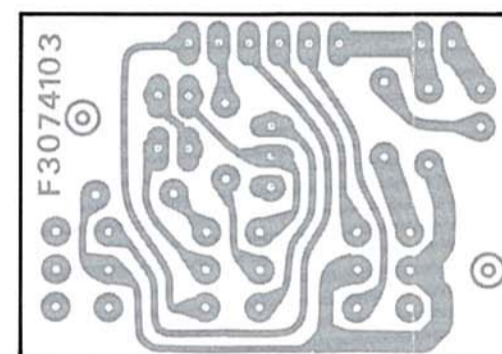
SW E UNIT



(SW E UNIT schematic diagram)

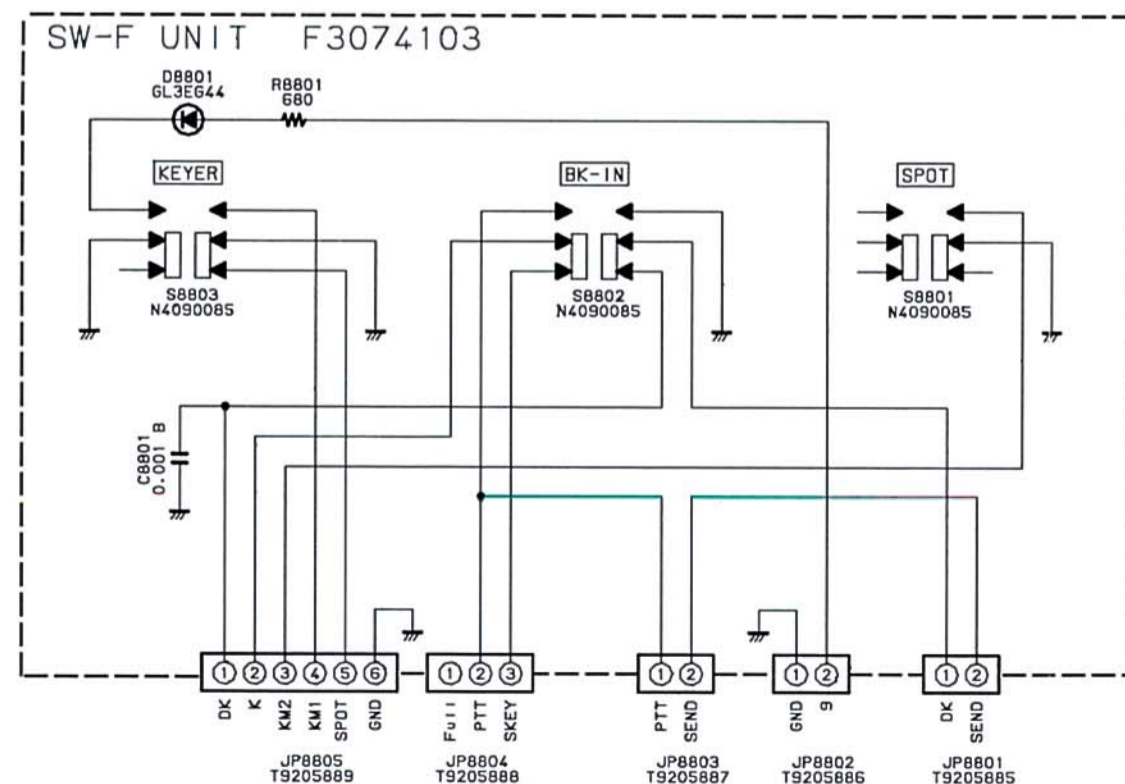


(obverse view of "component" side)



(obverse view of "solder" side)

SW F UNIT

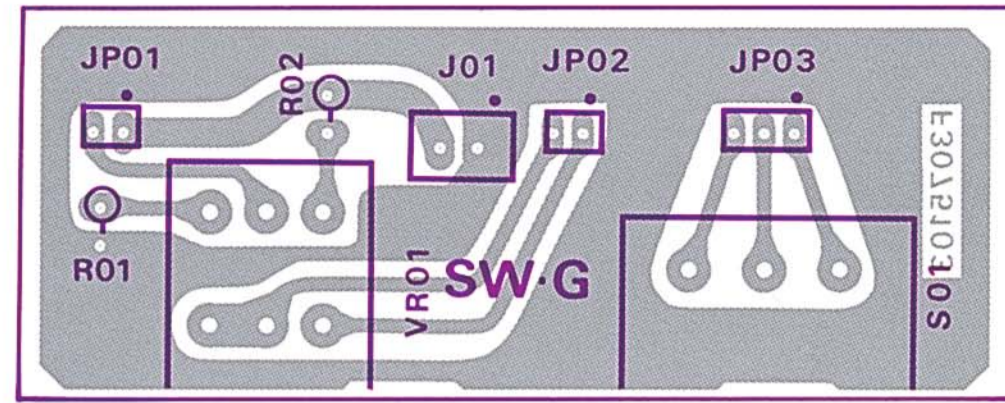


(SW F UNIT schematic diagram)

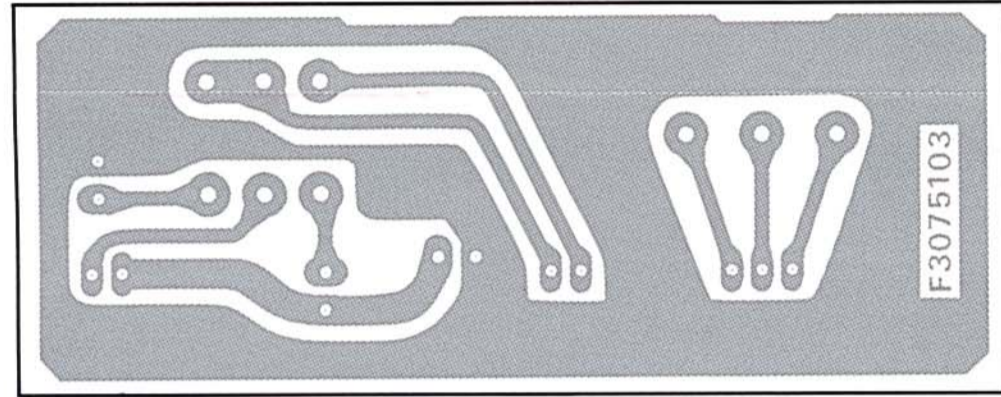
Switch G, H & K Units Parts Lists

REF.	DESCRIPTION	VALUE	WV	TOL.	MFGR'S DESIG	YAESU P/N	VERS.
*** SW-G UNIT ***							
	PCB with Components					CP2233001	
	Printed Circuit Board					F3075103	
J 8901	CONNECTOR				SC25-02WS	P0090621	
JP8901	WIRE-ASSY					T9205890	
JP8902	WIRE-ASSY					T9205891A	
JP8903	WIRE-ASSY					T9205892	
R 8901	CARBON FILM RES.	1K	1/6W	5%	RD16UJ102	1K	J02225102
R 8902	CARBON FILM RES.	1K	1/6W	5%	RD16UJ102	1K	J02225102
S 8901	ROTARY CODE S.W.				EC16B40B		Q9000525
VR8901	POT.	2KC/10KB			RK12 2KC/10KB		J62800104
	FITTING						R0131420
*** SW-H UNIT ***							
	PCB with Components					CP2225001	
	Printed Circuit Board					F3074104	
D 9001	LED				TLG221		G2090458
JP9001	WIRE-ASSY						T9205893
S 9001	PUSH SWITCH				KHC10902		N4090065
S 9002	PUSH SWITCH				KHC10902		N4090065
S 9003	PUSH SWITCH				KHC10902		N4090065
S 9004	PUSH SWITCH				KHC10902		N4090065
S 9005	PUSH SWITCH				KHC10902		N4090065
S 9006	PUSH SWITCH				KHC10902		N4090065
*** SW-K UNIT ***							
	PCB with Components					CP2226001	
	Printed Circuit Board					F3074105	
D 9101	LED				TLR221		G2090460
JP9101	WIRE-ASSY						T9205894
S 9101	TACT SWITCH				JPM1990-0101		N5090029

Notes

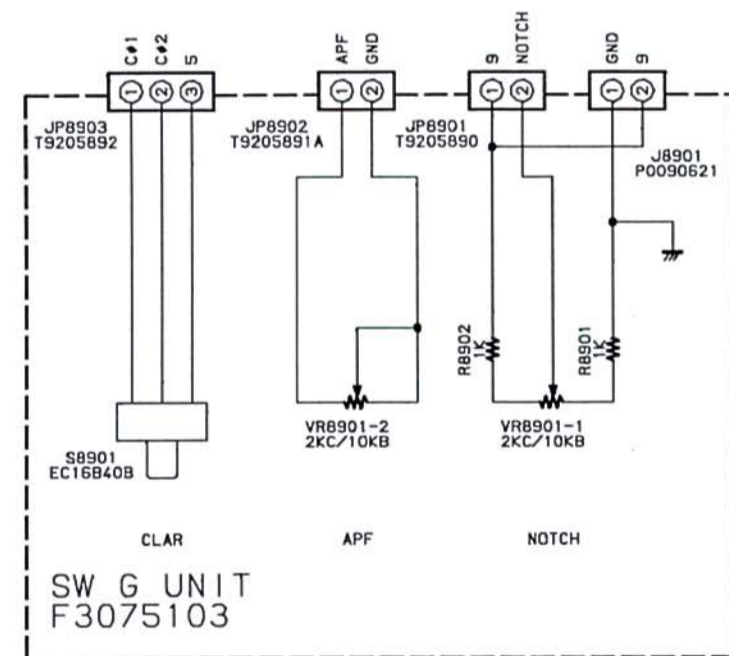


(obverse view of "component" side)



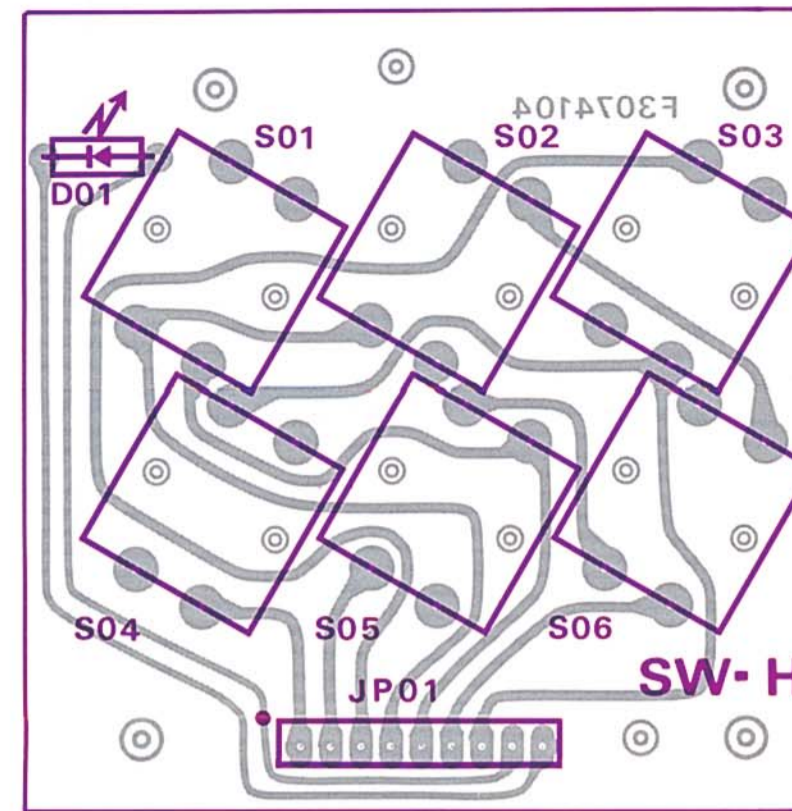
(obverse view of "solder" side)

SW G UNIT

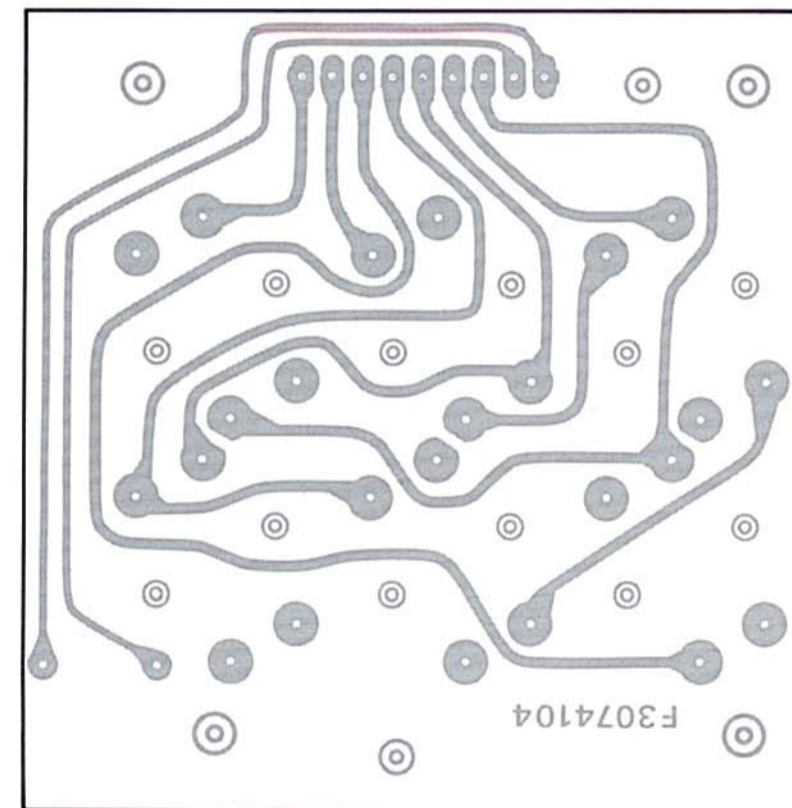


NOTE:
RESISTOR VALUES ARE IN Ω, 1/8W,
UNLESS OTHERWISE NOTED.

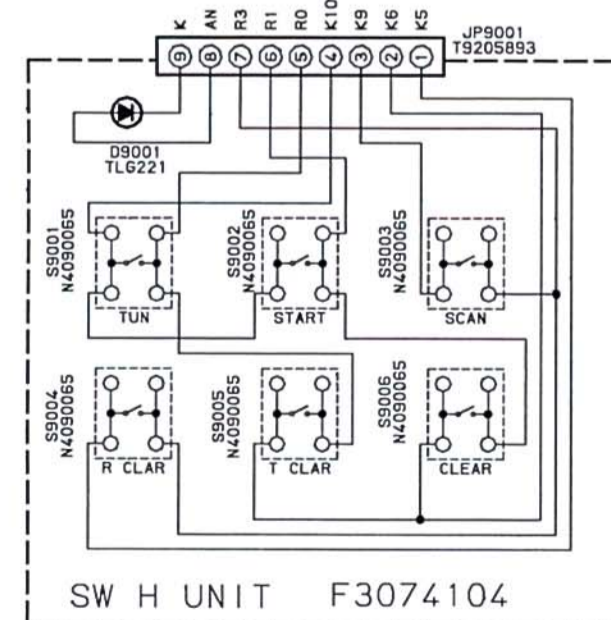
(SW G UNIT schematic diagram)



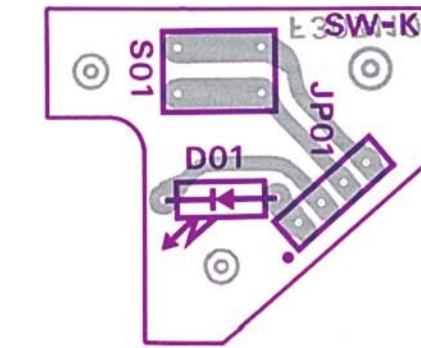
(obverse view of "component" side)



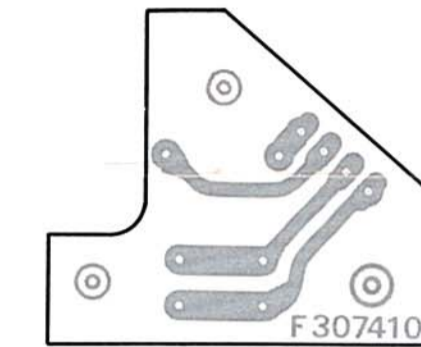
SW H UNIT



(SW H UNIT schematic diagram)

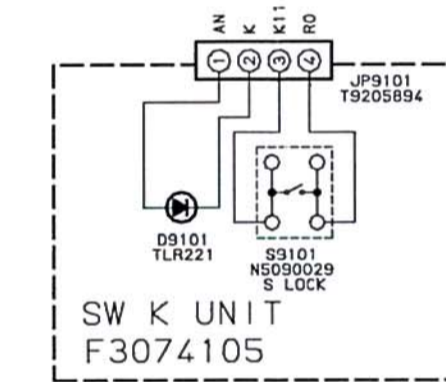


(obverse view of "component" side)



(obverse view of "solder" side)

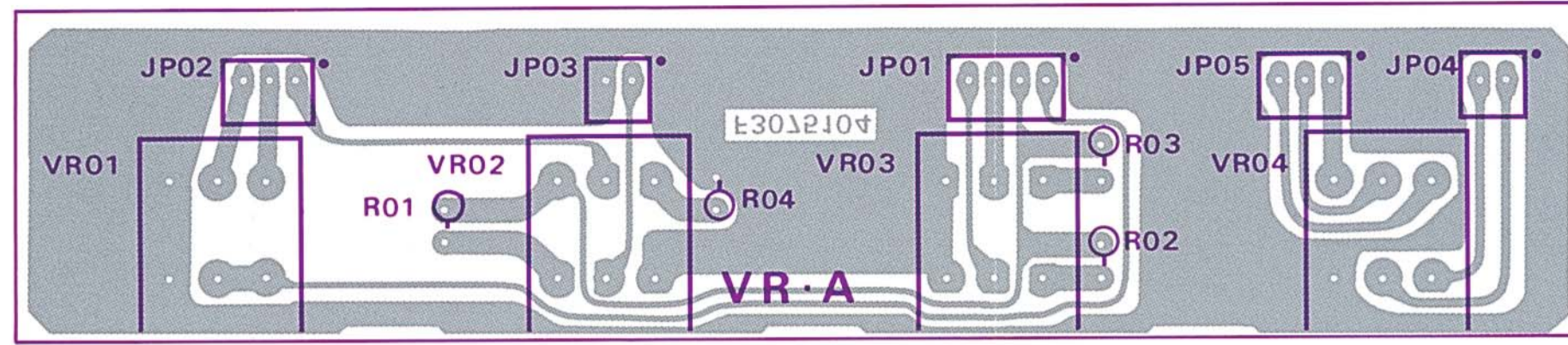
SW K UNIT



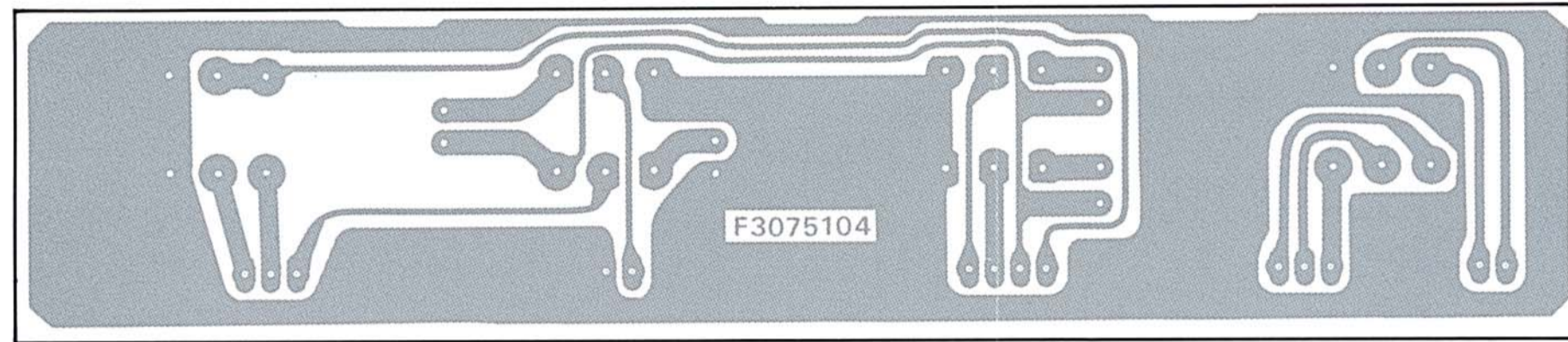
(SW K UNIT schematic diagram)

VR A & B Units Parts Lists

REF.	DESCRIPTION	VALUE	WV	TOL.	MFGR'S DESIG	YAESU P/N	VERS.
*** VR-A UNIT ***							
	PCB with Components					CP2234001	
	Printed Circuit Board					F3075104	
JP9401	WIRE-ASSY					T9205897	
JP9402	WIRE-ASSY					T9205898	
JP9403	WIRE-ASSY					T9205899	
JP9404	WIRE-ASSY					T9205900	
JP9405	WIRE-ASSY					T9205901	
R 9401	CARBON FILM RES.	10K	1/6W	5%	RD16UJ103 10K	J02225103	
R 9402	CARBON FILM RES.	10K	1/6W	5%	RD16UJ103 10K	J02225103	
R 9403	CARBON FILM RES.	18K	1/6W	5%	RD16UJ183 18K	J02225183	
R 9404	CARBON FILM RES.	3.9K	1/6W	5%	RD16UJ392 3.9K	J02225392	
VR9401	POT.	10KB/10KB			RK12 10KB/10KB	J62800105	
VR9402	POT.	10KB/10KB			RK12 10KB/10KB	J62800105	
VR9403	POT.	10KB/10KB			RK12 10KB/10KB	J62800105	
VR9404	POT.	10KB/10KB			RK12 10KB/10KB	J62800105	
	FITTING					R0131440	
*** VR-B UNIT ***							
	PCB with Components					CP2235001	
	Printed Circuit Board					F3075105	
JP9411	WIRE-ASSY					T9205902	
VR9411	POT.	50KB/SW			RK097111T	J60800161	
	FITTING					R0131460	

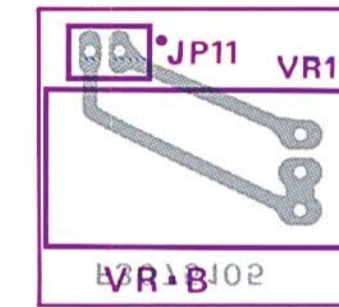


(obverse view of "component" side)

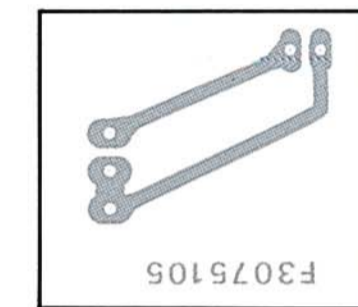


(obverse view of "solder" side)

VR A UNIT

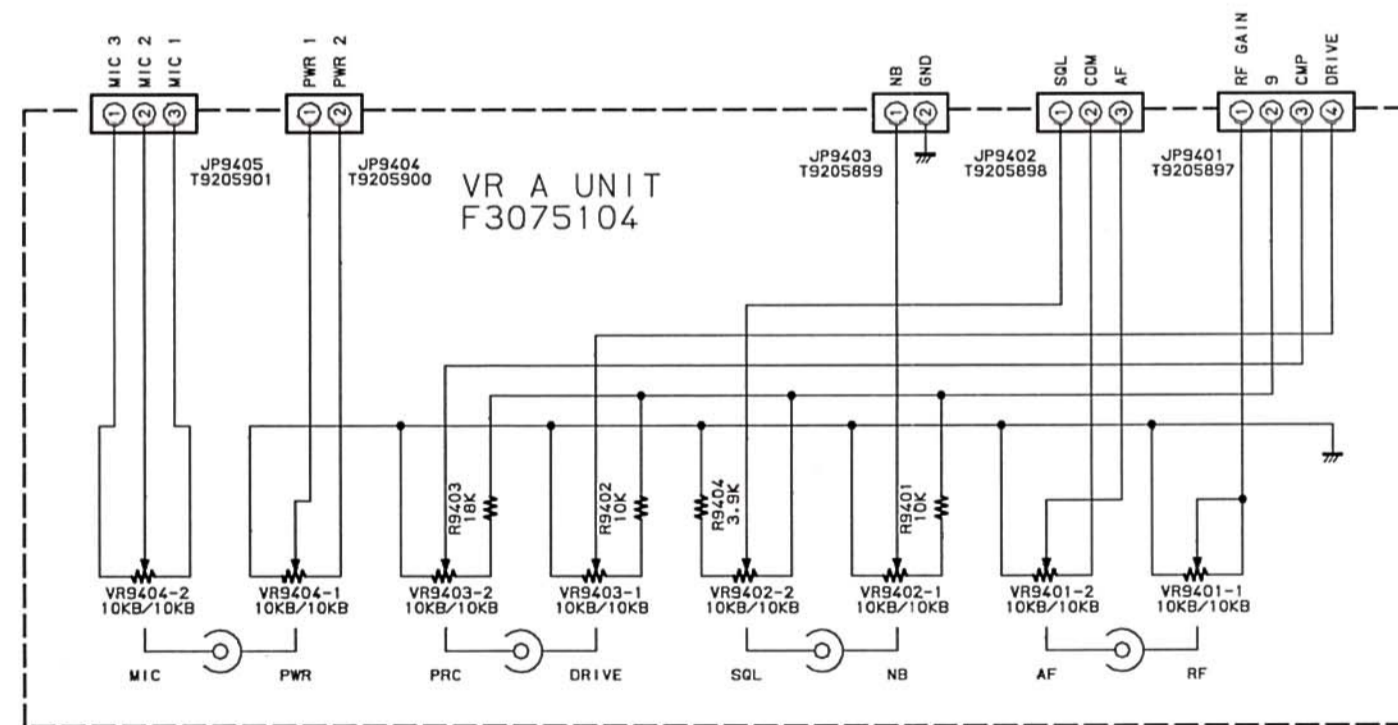


(obverse view of "component" side)



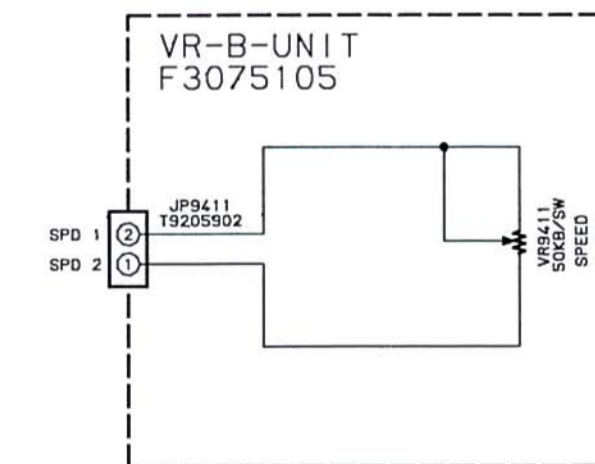
(obverse view of "solder" side)

VR B UNIT



(VR A UNIT schematic diagram)

NOTE:
RESISTOR VALUES ARE IN Ω, 1/6W ;
UNLESS OTHERWISE NOTED.

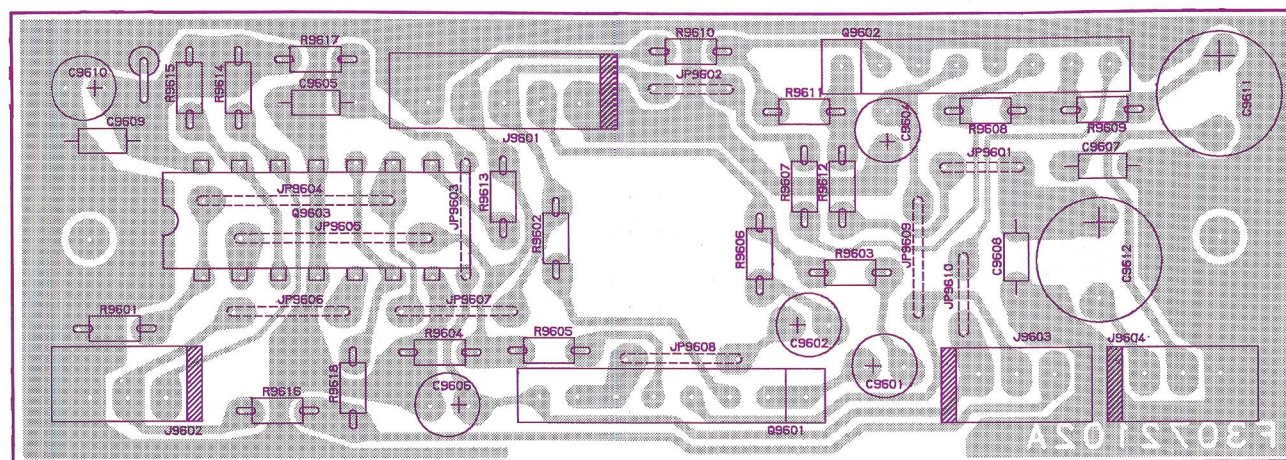


(VR B UNIT schematic diagram)

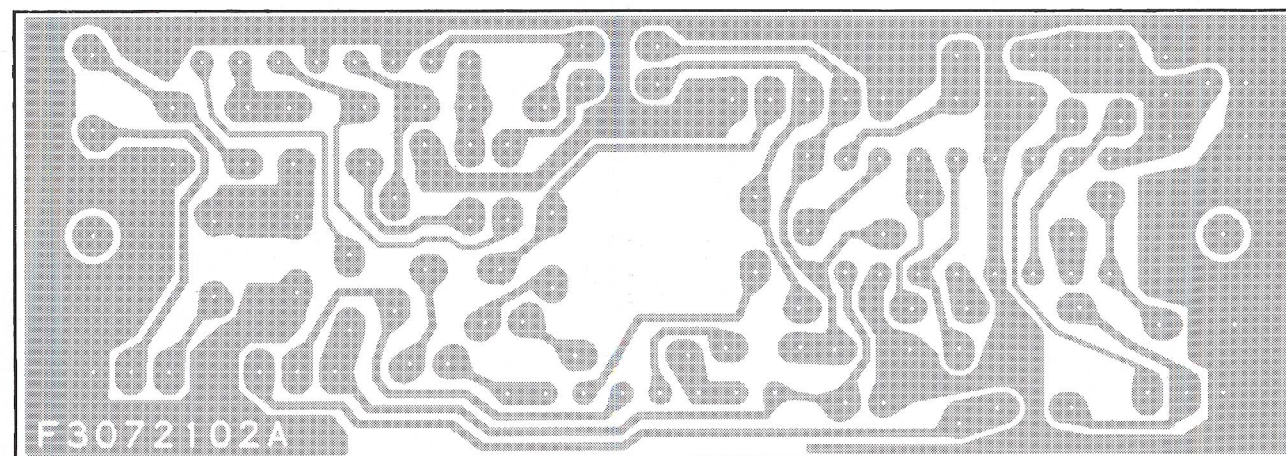
SHP Unit Parts List

REF.	DESCRIPTION	VALUE	WV	TOL.	MFGR'S DESIG	YAESU P/N	VERS.
*** SHP-UNIT ***							
	PCB with Components					CA0091001	
	Printed Circuit Board					F3072102A	
C 9601	AL. ELECTRO. CAP.	4. 7uF	35V		35V4R7M4X7TR2	K46160004	
C 9602	AL. ELECTRO. CAP.	4. 7uF	35V		35V4R7M4X7TR2	K46160004	
C 9604	AL. ELECTRO. CAP.	10uF	16V		16V100M4X7TR2	K46120004	
C 9605	CERAMIC CAP.	0. 01uF	16V	Y	EP050Y103N-A	K28129001	
C 9606	AL. ELECTRO. CAP.	10uF	16V		16V100M4X7TR2	K46120004	
C 9607	CERAMIC CAP.	0. 022uF	25V	F	TP050F223Z-A-B	K28149001	
C 9608	CERAMIC CAP.	0. 022uF	25V	F	TP050F223Z-A-B	K28149001	
C 9609	CERAMIC CAP.	0. 01uF	16V	Y	EP050Y103N-A	K28129001	
C 9610	AL. ELECTRO. CAP.	1uF	50V		50V010M4X7TR2	K46170030	
C 9611	AL. ELECTRO. CAP.	220uF	25V		25V221M8X11TR5	K46140006	
C 9612	AL. ELECTRO. CAP.	220uF	25V		25V221M8X11TR5	K46140006	
C 9613	CERAMIC CAP.	68pF	50V	SL	DD104SL680J50	K00175680	
C 9614	CERAMIC CAP.	68pF	50V	SL	DD104SL680J50	K00175680	
D 9601	DIODE				HZ5C1	G2090188	
J 9601	CONNECTOR				SC25-05WS	P0090624	
J 9602	CONNECTOR				SC25-03WS	P0090622	
J 9603	CONNECTOR				SC25-03WS	P0090622	
J 9604	CONNECTOR				SC25-03WS	P0090622	
Q 9601	IC				M5218AL	G1091140	
Q 9602	IC				M5216L	G1090989	
Q 9603	IC				UPD4066BC	G1090283	
R 9601	CARBON FILM RES.	100K	1/6W	5%	RD16TPJ104 100K	J07225104	
R 9602	CARBON FILM RES.	10K	1/6W	5%	RD16TPJ103 10K	J07225103	
R 9603	CARBON FILM RES.	4. 7K	1/6W	5%	RD16TPJ472 4. 7K	J07225472	
R 9604	CARBON FILM RES.	100K	1/6W	5%	RD16TPJ104 100K	J07225104	
R 9605	CARBON FILM RES.	10K	1/6W	5%	RD16TPJ103 10K	J07225103	
R 9606	CARBON FILM RES.	4. 7K	1/6W	5%	RD16TPJ472 4. 7K	J07225472	
R 9607	CARBON FILM RES.	33K	1/6W	5%	RD16TPJ333 33K	J07225333	
R 9608	CARBON FILM RES.	330K	1/6W	5%	RD16TPJ334 330K	J07225334	
R 9609	CARBON FILM RES.	22	1/6W	5%	RD16TPJ220 22	J07225220	
R 9610	CARBON FILM RES.	33K	1/6W	5%	RD16TPJ333 33K	J07225333	
R 9611	CARBON FILM RES.	330K	1/6W	5%	RD16TPJ334 330K	J07225334	
R 9612	CARBON FILM RES.	22	1/6W	5%	RD16TPJ220 22	J07225220	
R 9613	CARBON FILM RES.	6. 8K	1/6W	5%	RD16TPJ682 6. 8K	J07225682	
R 9614	CARBON FILM RES.	10K	1/6W	5%	RD16TPJ103 10K	J07225103	
R 9615	CARBON FILM RES.	10K	1/6W	5%	RD16TPJ103 10K	J07225103	
R 9616	CARBON FILM RES.	10K	1/6W	5%	RD16TPJ103 10K	J07225103	
R 9617	CARBON FILM RES.	1. 5K	1/6W	5%	RD16TPJ152 1. 5K	J07225152	
R 9618	CARBON FILM RES.	10K	1/6W	5%	RD16TPJ103 10K	J07225103	

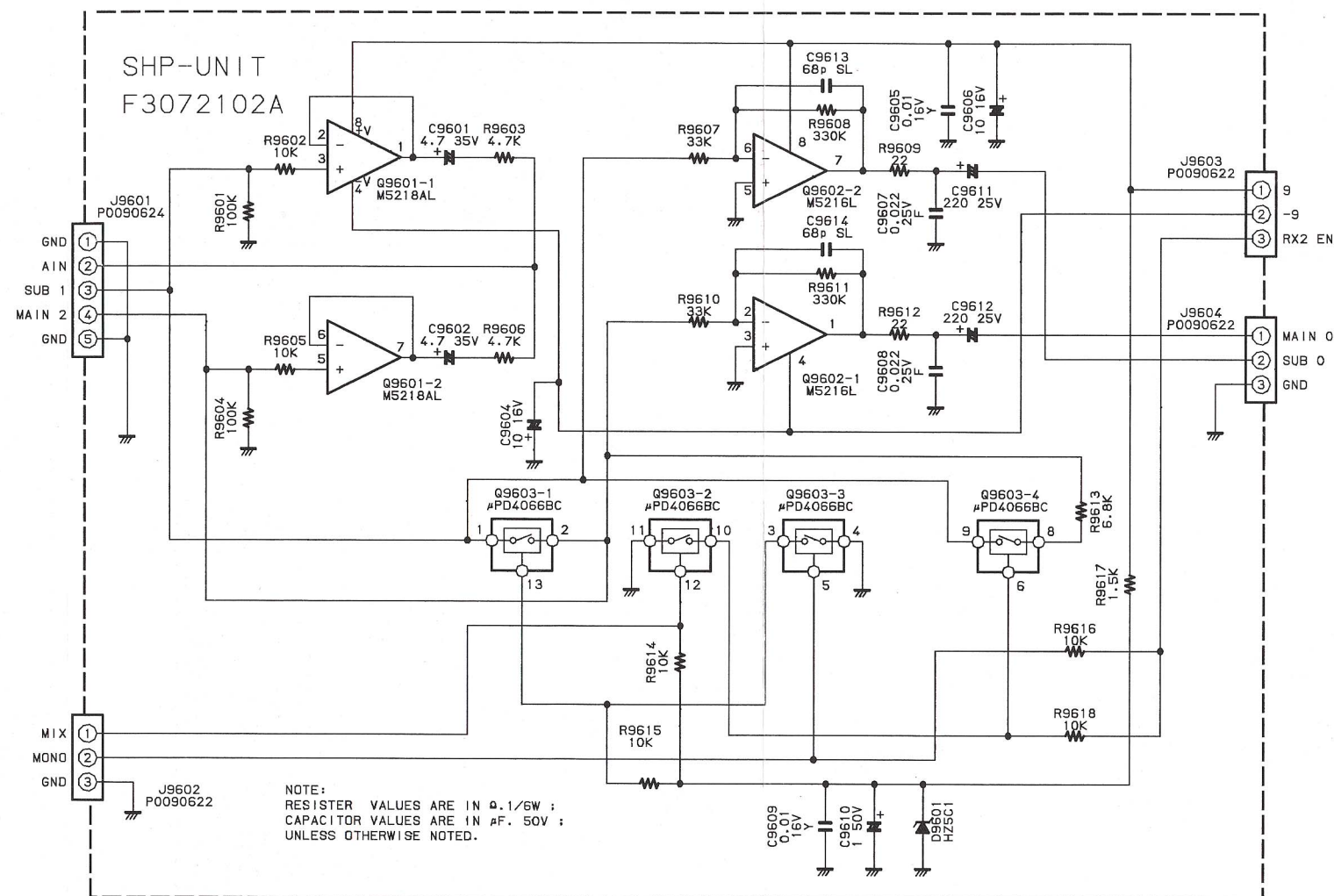
Notes



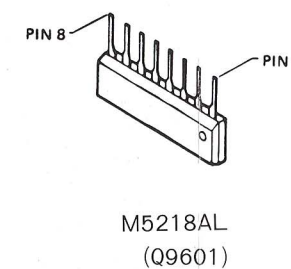
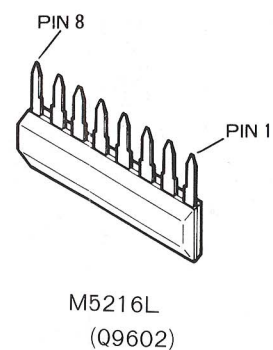
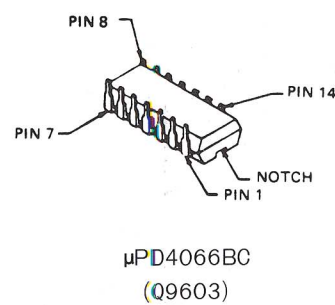
(obverse view of "component" side)



(obverse view of "solder" side)



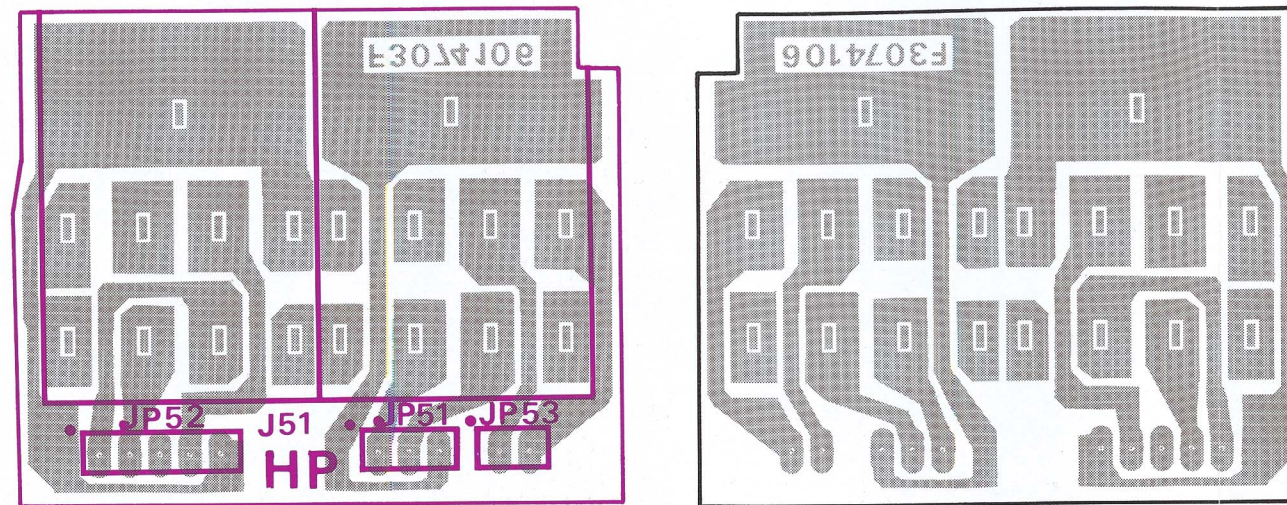
(schematic diagram)



HP & Mic Units Parts Lists

REF.	DESCRIPTION	VALUE	WV	TOL.	MFR'S DESIG	YAESU P/N	VERS.
*** HP UNIT ***							
	PCB with Components					CP2227001	
	Printed Circuit Board					F3074106	
J 9951	CONNECTOR				HLJ2335-01-3010	P1090639	
JP9951	WIRE-ASSY					T9205903	
JP9952	WIRE-ASSY					T9205904	
JP9953	WIRE-ASSY					T9205922	
*** MIC-JACK UNIT ***							
	PCB with Components					CP2228001	
	Printed Circuit Board					F3074107	
C 9961	CERAMIC CAP.	0.001uF	50V	E	DD104B102K50	K10176102	
J 9961	CONNECTOR				FM214-8SS(A)NI	P0090779	
JP9961	WIRE-ASSY					T9205905	
JP9963	JUMPER WIRE C 0.6-7.				0.6-7.5	Q6100017	
JP9964	JUMPER WIRE C 0.6-7.				0.6-7.5	Q6100017	

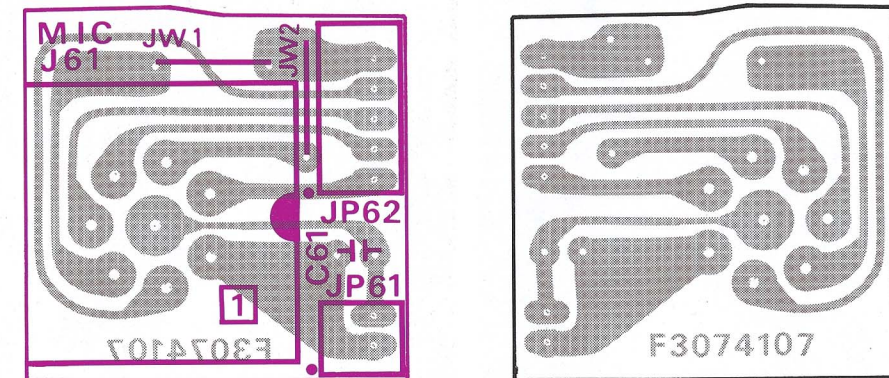
Notes



(obverse view of "component" side)

(obverse view of "solder" side)

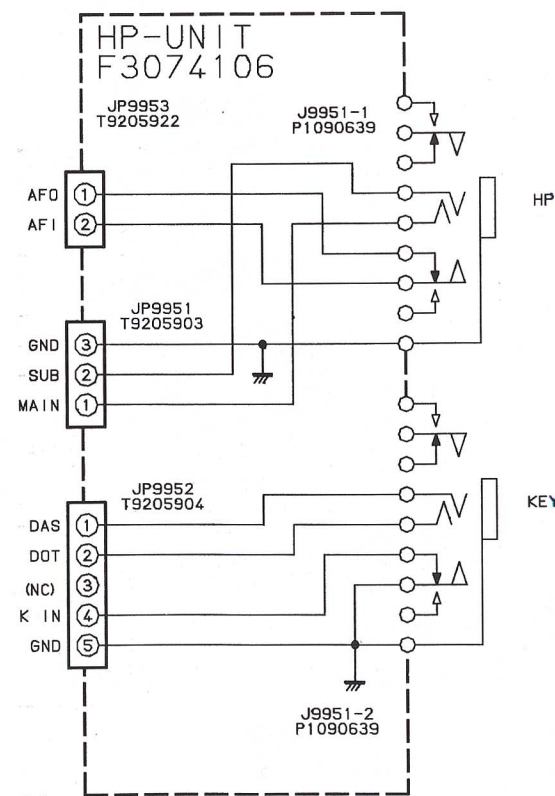
HP UNIT



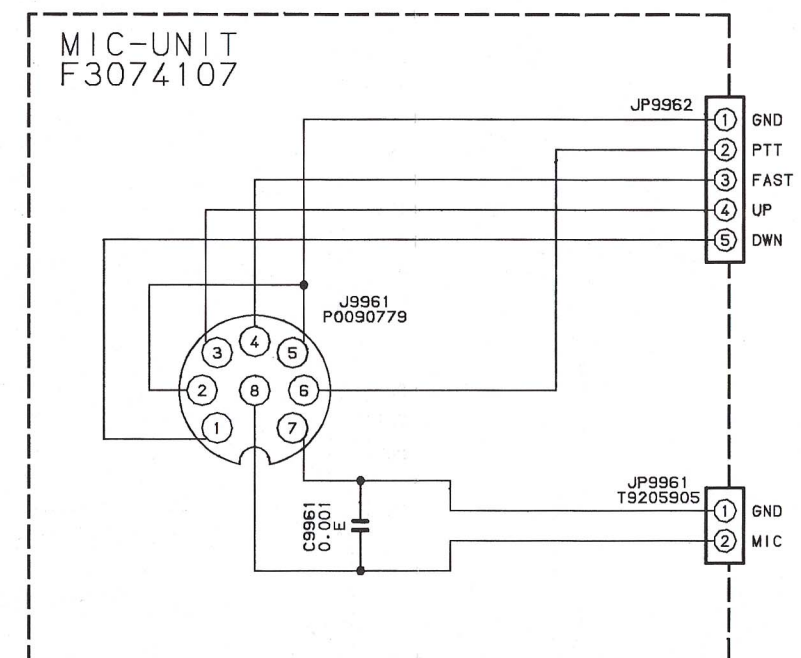
(obverse view of "component" side)

(obverse view of "solder" side)

MIC UNIT



(HP Unit schematic diagram)

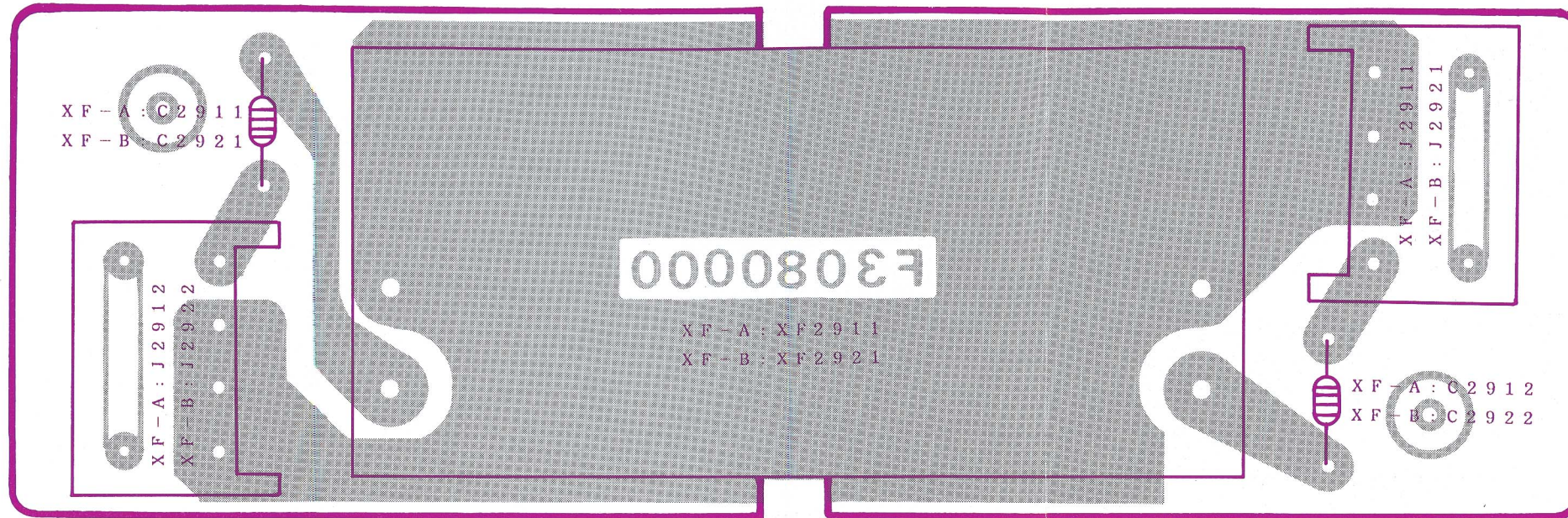


(Mic Unit schematic diagram)

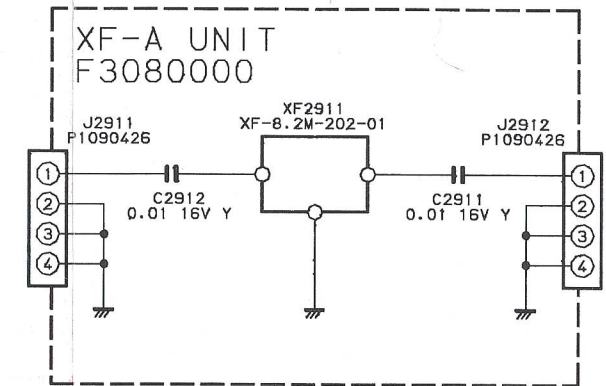
XF-A & B Units Parts Lists

REF.	DESCRIPTION	VALUE	WV	TOL.	MFR'S DESIG	YAESU P/N	VERS.
*** XF-A UNIT ***							
	Printed Circuit Board					F3080000	
C 2911	CERAMIC CAP.	0.01uF	16V	Y	EP050Y103N-A	K28129001	
C 2912	CERAMIC CAP.	0.01uF	16V	Y	EP050Y103N-A	K28129001	
J 2911	CONNECTOR				5124-04BHPB	P1090426	
J 2912	CONNECTOR				5124-04BHPB	P1090426	
XF2911	XTAL				XF-8.2M-202-01	H1102159	
*** XF-B UNIT ***							
	Printed Circuit Board					F3080000	
C 2921	CERAMIC CAP.	0.01uF	16V	Y	EP050Y103N-A	K28129001	
C 2922	CERAMIC CAP.	0.01uF	16V	Y	EP050Y103N-A	K28129001	
J 2921	CONNECTOR				5124-04BHPB	P1090426	
J 2922	CONNECTOR				5124-04BHPB	P1090426	
XF2921	XTAL				XF-8.2M-251-01	H1102160	

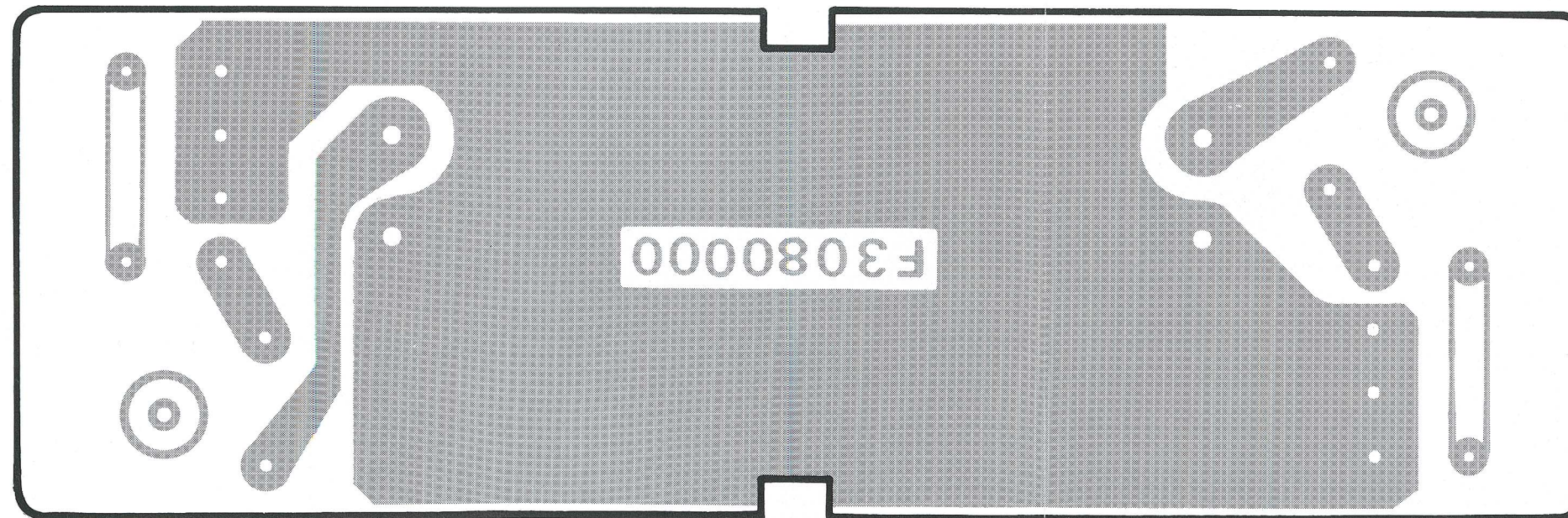
Notes



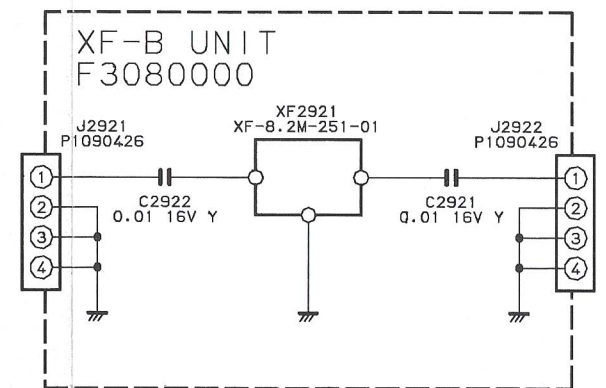
(obverse view of "component" side)



(XF-A UNIT schematic diagram)



(obverse view of "solder" side)

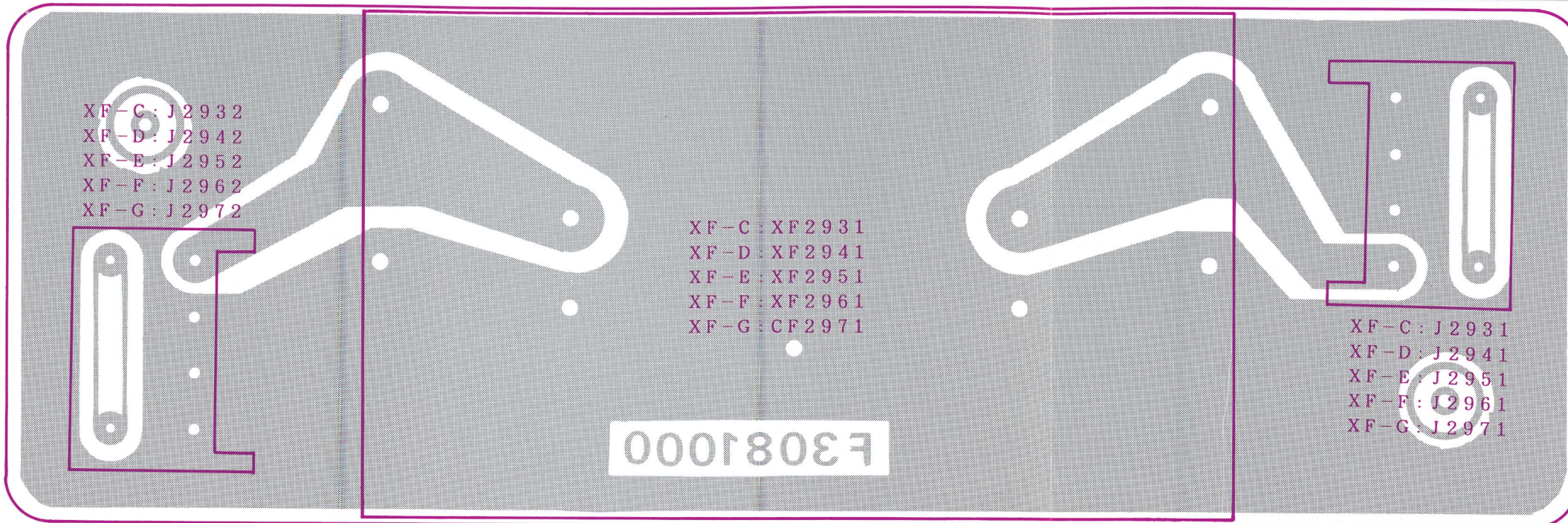


(XF-B UNIT schematic diagram)

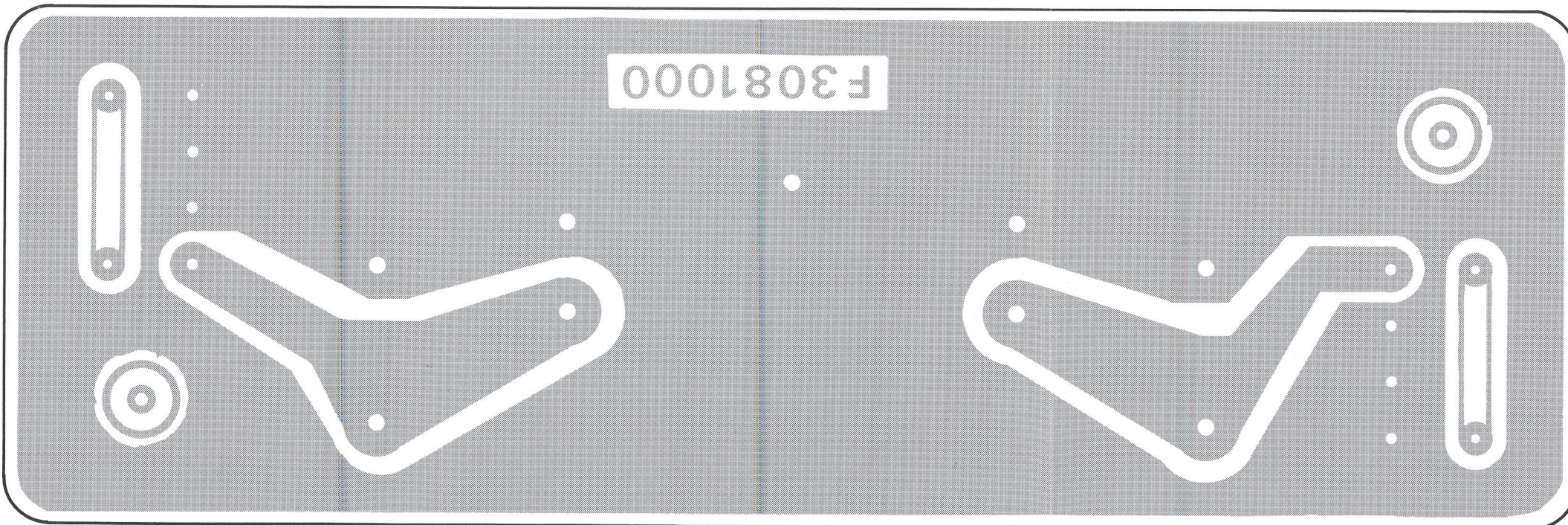
XF-C, D, E, F & G Units Parts Lists

REF.	DESCRIPTION	VALUE	WV	TOL.	MFR'S DESIG	YAESU P/N	VERS.
*** XF-C UNIT ***							
	Printed Circuit Board					F3081000	
J 2931	CONNECTOR				5124-04BHPB	P1090426	
J 2932	CONNECTOR				5124-04BHPB	P1090426	
XF2931	XTAL				XF-455K-262-01	H1102161	
*** XF-D UNIT ***							
	Printed Circuit Board					F3081000	
J 2941	CONNECTOR				5124-04BHPB	P1090426	
J 2942	CONNECTOR				5124-04BHPB	P1090426	
XF2941	XTAL				XF-455K-202-01	H1102162	
*** XF-E UNIT ***							
	Printed Circuit Board					F3081000	
J 2951	CONNECTOR				5124-04BHPB	P1090426	
J 2952	CONNECTOR				5124-04BHPB	P1090426	
XF2951	XTAL				XF-110C	H1102226	
*** XF-F UNIT ***							
	Printed Circuit Board					F3081000	
J 2961	CONNECTOR				5124-04BHPB	P1090426	
J 2962	CONNECTOR				5124-04BHPB	P1090426	
XF2961	XTAL				XF-110CN	H1102227	
*** XF-G UNIT ***							
	Printed Circuit Board					F3081000	
CF2971	CERAMIC FILTER				CFJ-455K13	H3900290	
J 2971	CONNECTOR				5124-04BHPB	P1090426	
J 2972	CONNECTOR				5124-04BHPB	P1090426	

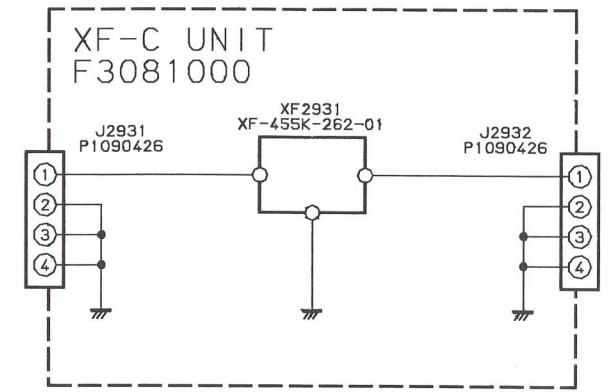
Notes



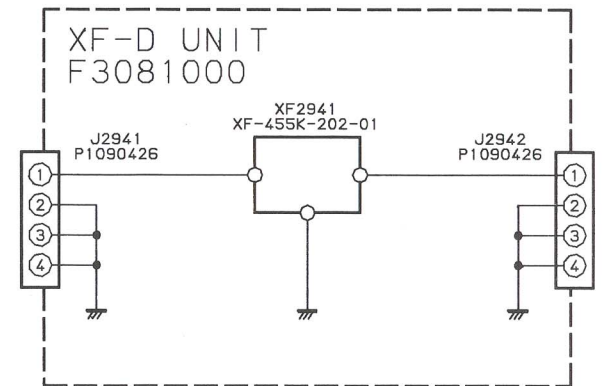
(obverse view of "component" side)



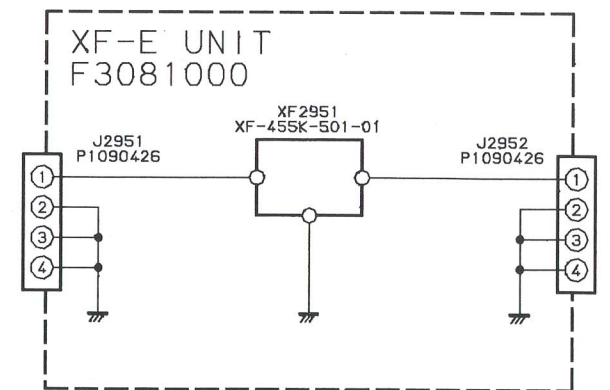
(obverse view of "solder" side)



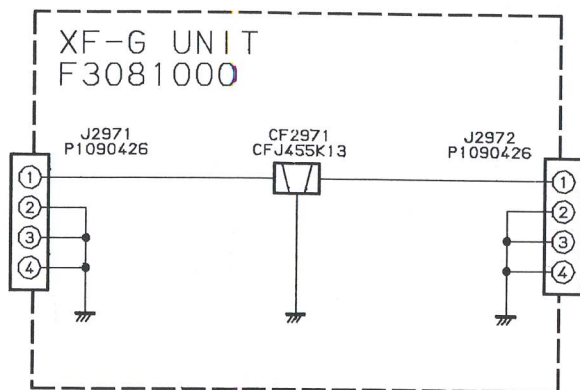
(XF-C UNIT schematic diagram)



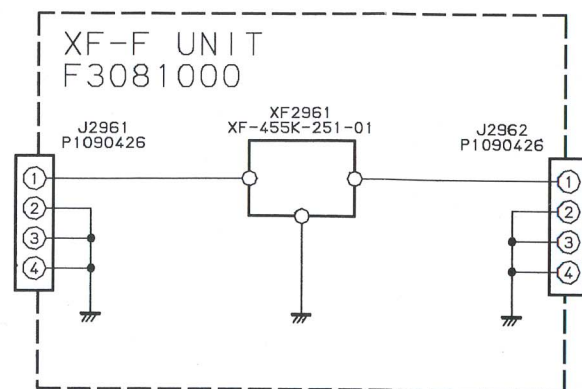
(XF-D UNIT schematic diagram)



(XF-E UNIT schematic diagram)



(XF-G UNIT schematic diagram)



(XF-F UNIT schematic diagram)

Key Ass'y A Parts List

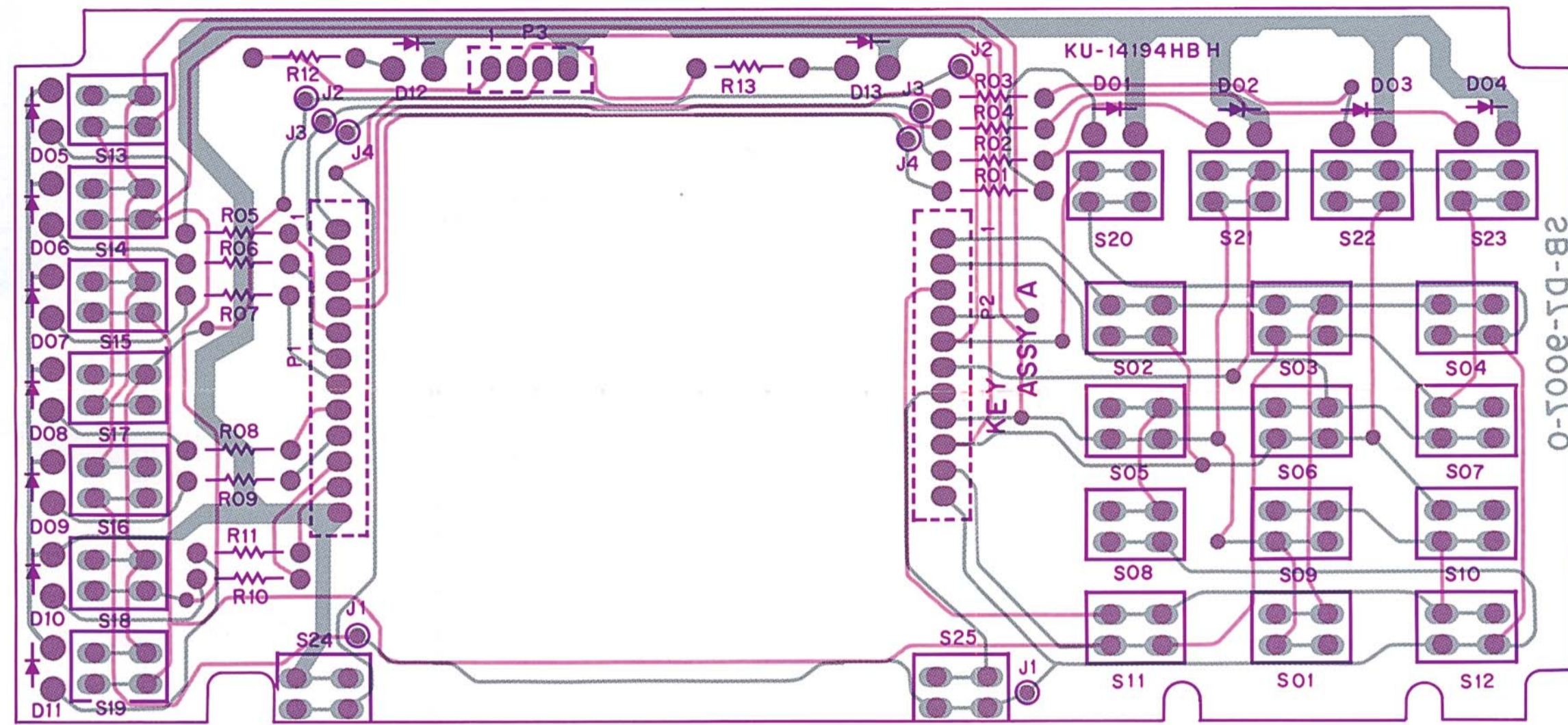
REF.	DESCRIPTION	VALUE	WV	TOL.	MFGR'S DESIG.	YAESU P/N	VERS.
*** SW UNIT A ***							
	SW A ASSY					Q7000157	
D 0001	LED				GL1EG211	G2090509	
D 0002	LED				GL1EG211	G2090509	
D 0003	LED				GL1EG211	G2090509	
D 0004	LED				GL1EG211	G2090509	
D 0005	LED				GL1EG211	G2090509	
D 0006	LED				GL1EG211	G2090509	
D 0007	LED				GL1EG211	G2090509	
D 0008	LED				GL1EG211	G2090509	
D 0009	LED				GL1EG211	G2090509	
D 0010	LED				GL1HS111	G2090472	
D 0011	LED				GL1HS111	G2090472	
D 0012	LED				GL1EG211	G2090509	
D 0013	LED				GL1HS111	G2090472	
P 0001	WIRE-ASSY A				SB-E6-9000-0	S8100212	
P 0002	WIRE-ASSY B				SB-E6-9001-0	S8100213	
P 0003	WIRE-ASSY C				SB-E6-9002-0	S8100214	
R 0001	CARBON FILM RES.	300	1/4W		RD14TJ301	J01245301	
R 0002	CARBON FILM RES.	300	1/4W		RD14TJ301	J01245301	
R 0003	CARBON FILM RES.	300	1/4W		RD14TJ301	J01245301	
R 0004	CARBON FILM RES.	300	1/4W		RD14TJ301	J01245301	
R 0005	CARBON FILM RES.	300	1/4W		RD14TJ301	J01245301	
R 0006	CARBON FILM RES.	300	1/4W		RD14TJ301	J01245301	
R 0007	CARBON FILM RES.	300	1/4W		RD14TJ301	J01245301	
R 0008	CARBON FILM RES.	300	1/4W		RD14TJ301	J01245301	
R 0009	CARBON FILM RES.	300	1/4W		RD14TJ301	J01245301	
R 0010	CARBON FILM RES.	300	1/4W		RD14TJ301	J01245301	
R 0011	CARBON FILM RES.	300	1/4W		RD14TJ301	J01245301	
R 0012	CARBON FILM RES.	560	1/4W		RD14TJ561	J01245561	
R 0013	CARBON FILM RES.	560	1/4W		RD14TJ561	J01245561	
S 0001	TACT SWITCH				SKHRAA	N5090060	
S 0002	TACT SWITCH				SKHRAA	N5090060	
S 0003	TACT SWITCH				SKHRAA	N5090060	
S 0004	TACT SWITCH				SKHRAA	N5090060	
S 0005	TACT SWITCH				SKHRAA	N5090060	
S 0006	TACT SWITCH				SKHRAA	N5090060	
S 0007	TACT SWITCH				SKHRAA	N5090060	
S 0008	TACT SWITCH				SKHRAA	N5090060	
S 0009	TACT SWITCH				SKHRAA	N5090060	
S 0010	TACT SWITCH				SKHRAA	N5090060	
S 0011	TACT SWITCH				SKHRAA	N5090060	
S 0012	TACT SWITCH				SKHRAA	N5090060	
S 0013	TACT SWITCH				SKHRAA	N5090060	
S 0014	TACT SWITCH				SKHRAA	N5090060	
S 0015	TACT SWITCH				SKHRAA	N5090060	
S 0016	TACT SWITCH				SKHRAA	N5090060	
S 0017	TACT SWITCH				SKHRAA	N5090060	
S 0018	TACT SWITCH				SKHRAA	N5090060	
S 0019	TACT SWITCH				SKHRAA	N5090060	
S 0020	TACT SWITCH				SKHRAA	N5090060	
S 0021	TACT SWITCH				SKHRAA	N5090060	
S 0022	TACT SWITCH				SKHRAA	N5090060	
S 0023	TACT SWITCH				SKHRAA	N5090060	
S 0024	TACT SWITCH				SKHRAA	N5090060	
S 0025	TACT SWITCH				SKHRAA	N5090060	
	FRAME A				SB-B0-8094-1	S8000643	
	LED LENS A (4pcs)					S6000195	
	LED LENS B (2pcs)					S6000196	
	KEY TOP (250)				A1	S6000249	
	KEY TOP (500)				A2	S6000250	
	KEY TOP (2.0K)				A3	S6000251	
	KEY TOP (2.4K)				A4	S6000252	

Key Ass'y A Parts List

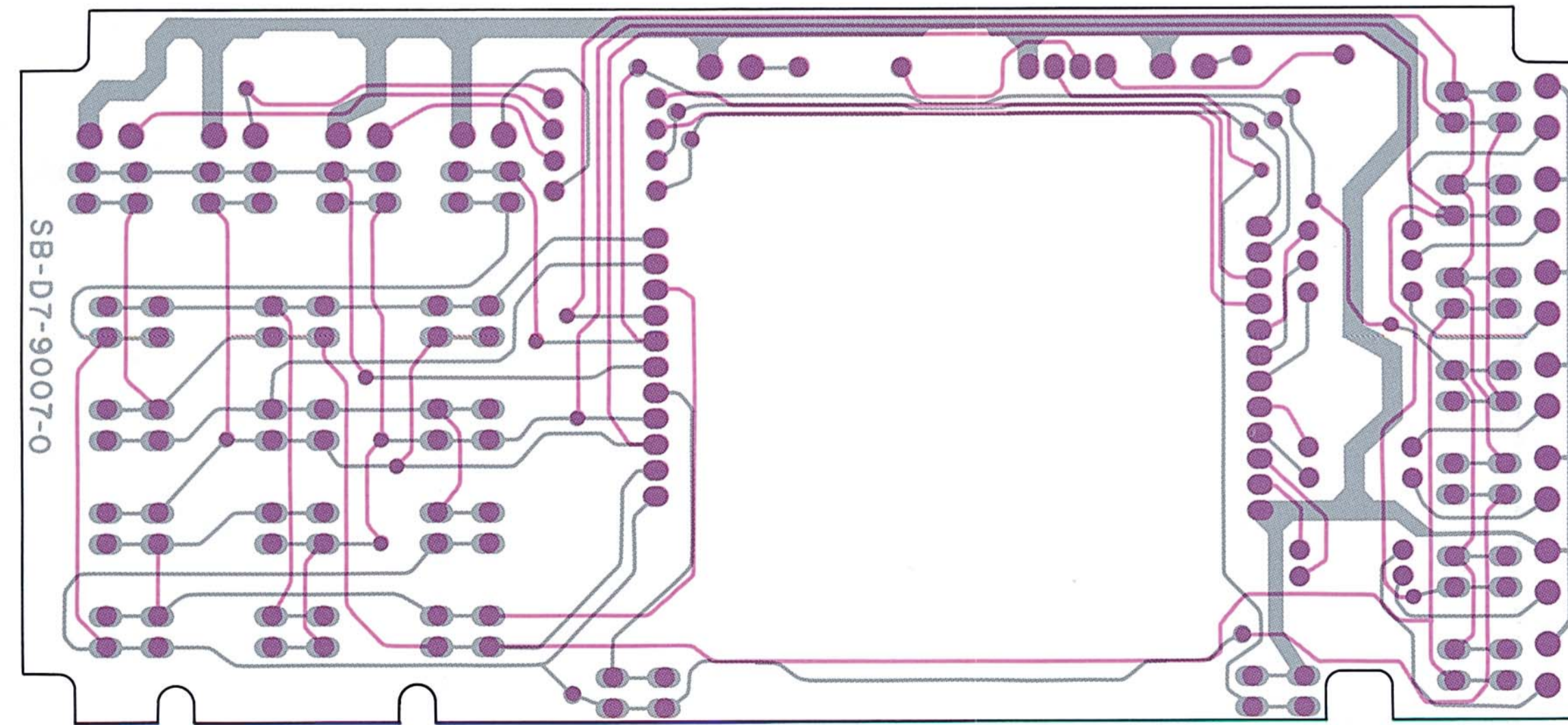
REF.	DESCRIPTION	VALUE	WV	TOL.	MFGR'S DESIG.	YAESU P/N	VERS.
	KEY TOP (LSB)				B1 SB-B0-8097-1	S6000212	
	KEY TOP (USB)				B2 SB-B0-8097-2	S6000213	
	KEY TOP (CW)				B3 SB-B0-8097-3	S6000214	
	KEY TOP (AM)				B4 SB-B0-8097-4	S6000215	
	KEY TOP (FM)				B5 SB-B0-8097-5	S6000216	
	KEY TOP (RTTY)				B6 SB-B0-8097-6	S6000217	
	KEY TOP (PKT)				B7 SB-B0-8097-7	S6000218	
	KEY TOP (1.5)				C1	S6000253	
	KEY TOP (3.5)				C2	S6000254	
	KEY TOP (7)				C3	S6000255	
	KEY TOP (10)				C4	S6000256	
	KEY TOP (14)				C5	S6000257	
	KEY TOP (18)				C6	S6000258	
	KEY TOP (21)				C7	S6000259	
	KEY TOP (24.5)				C8	S6000260	
	KEY TOP (28)				C9	S6000261	
	KEY TOP (SUB)				C10	S6000262	
	KEY TOP (29)				C11	S6000263	
	KEY TOP (ENT)				C12	S6000264	
	KEY TOP (FAST)				D	S6000265	
	KEY TOP (LOCK)				D	S6000265	
	RUBBER SPONGE A				SB-G9-9010-0	S8000644	
	TAPTITE SCREW (4pcs)				M2. 6X8	U44208001	
	SCREW (8pcs)				M2. 6X6+2	S8000645	

Key Ass'y B Parts List

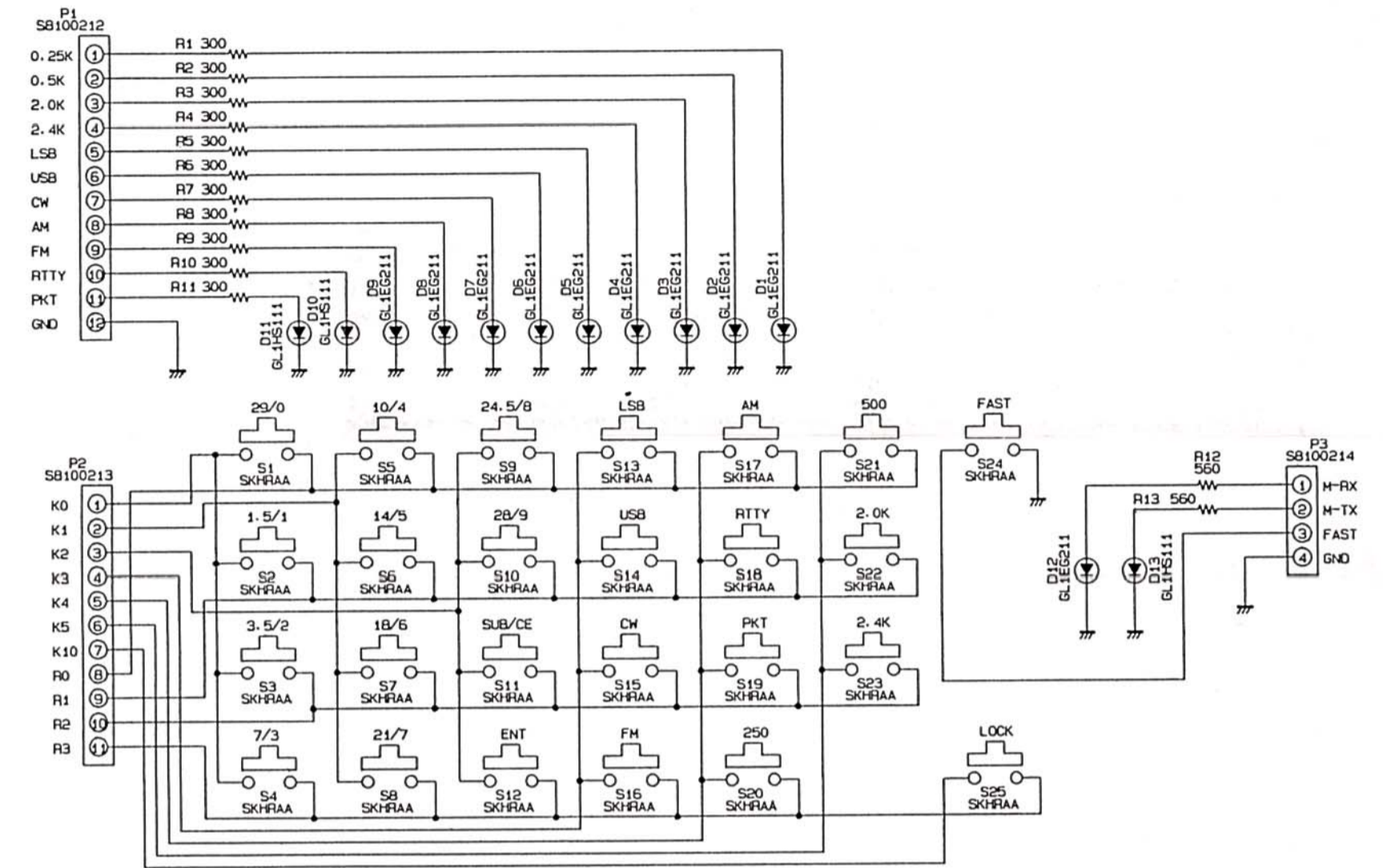
REF.	DESCRIPTION	VALUE	WV	TOL.	MFGR'S DESIG.	YAESU P/N	VERS.
*** SW UNIT B ***							
	SW B ASSY					Q7000158	
D 0001	LED				GL1EG211	G2090509	
D 0002	LED				GL1EG211	G2090509	
D 0003	LED				GL1EG211	G2090509	
D 0004	LED				GL1EG211	G2090509	
D 0005	LED				GL1HS111	G2090472	
D 0006	LED				GL1HS111	G2090472	
P 0001	WIRE-ASSY B				SB-E6-9001-0	S8100213	
P 0002	WIRE-ASSY D				SB-E6-9003-0	S8100215	
R 0001	CARBON FILM RES.	560	1/4W		RD14TJ561	J01245561	
R 0002	CARBON FILM RES.	560	1/4W		RD14TJ561	J01245561	
R 0003	CARBON FILM RES.	560	1/4W		RD14TJ561	J01245561	
R 0004	CARBON FILM RES.	560	1/4W		RD14TJ561	J01245561	
R 0005	CARBON FILM RES.	560	1/4W		RD14TJ561	J01245561	
R 0006	CARBON FILM RES.	560	1/4W		RD14TJ561	J01245561	
S 0001	TACT SWITCH				SKHRAA	N5090060	
S 0002	TACT SWITCH				SKHRAA	N5090060	
S 0003	TACT SWITCH				SKHRAA	N5090060	
S 0004	TACT SWITCH				SKHRAA	N5090060	
S 0005	TACT SWITCH				SKHRAA	N5090060	
S 0006	TACT SWITCH				SKHRAA	N5090060	
S 0007	TACT SWITCH				SKHRAA	N5090060	
S 0008	TACT SWITCH				SKHRAA	N5090060	
S 0009	TACT SWITCH				SKHRAA	N5090060	
S 0010	TACT SWITCH				SKHRAA	N5090060	
S 0011	TACT SWITCH				SKHRAA	N5090060	
S 0012	TACT SWITCH				SKHRAA	N5090060	
S 0013	TACT SWITCH				SKHRAA	N5090060	
S 0014	TACT SWITCH				SKHRAA	N5090060	
S 0015	TACT SWITCH				SKHRAA	N5090060	
S 0016	TACT SWITCH				SKHRAA	N5090060	
S 0017	TACT SWITCH				SKHRAA	N5090060	
	TRAME B				SB-B0-8100-1	S8000646	
	LED LENS A					S6000195	
	KEY TOP (DOWN)				E1	S6000266	
	KEY TOP (UP)				E2	S6000267	
	KEY TOP (NB)				F1	S6000268	
	KEY TOP (NB-W)				F1	S6000268	
	KEY TOP (A→B)				F1	S6000268	
	KEY TOP (A=B)				F1	S6000268	
	KEY TOP (M→VFO-A)				F1	S6000268	
	KEY TOP (RPT)				F1	S6000268	
	KEY TOP (MCK)				F1	S6000268	
	KEY TOP (SPLIT)				F1	S6000268	
	KEY TOP (NOTCH)				F1	S6000268	
	KEY TOP (APF)				F1	S6000268	
	KEY TOP (VFO/MEM)				F1	S6000268	
	KEY TOP (DUAL)				F2	S6000269	
	KEY TOP (VFO-A→M)				F3	S6000270	
	KEY TOP (PROC)				F4	S6000271	
	KEY TOP (MONI)				F4	S6000271	
	RUBBER SPONGE B				SB-G9-9011-0	S8000647	
	RUBBER SPONGE C				SB-G9-9012-0	S8000648	
	SCREW				SB-F9-8000-0	S8000645	



(obverse view of "component" side)

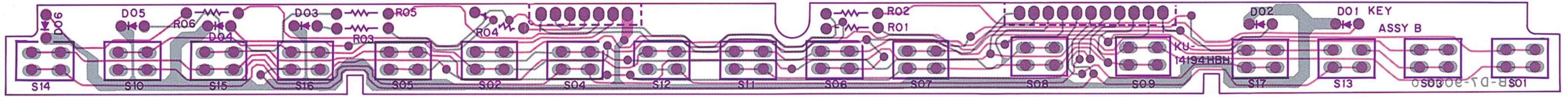


(obverse view of "solder" side)

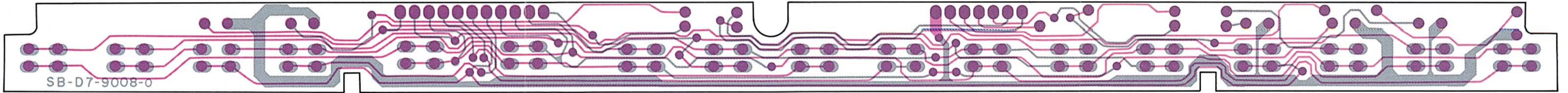


NOTE:
RESISTOR VALUES ARE IN Ω , $\frac{1}{4}\Omega$,
UNLESS OTHERWISE NOTED.

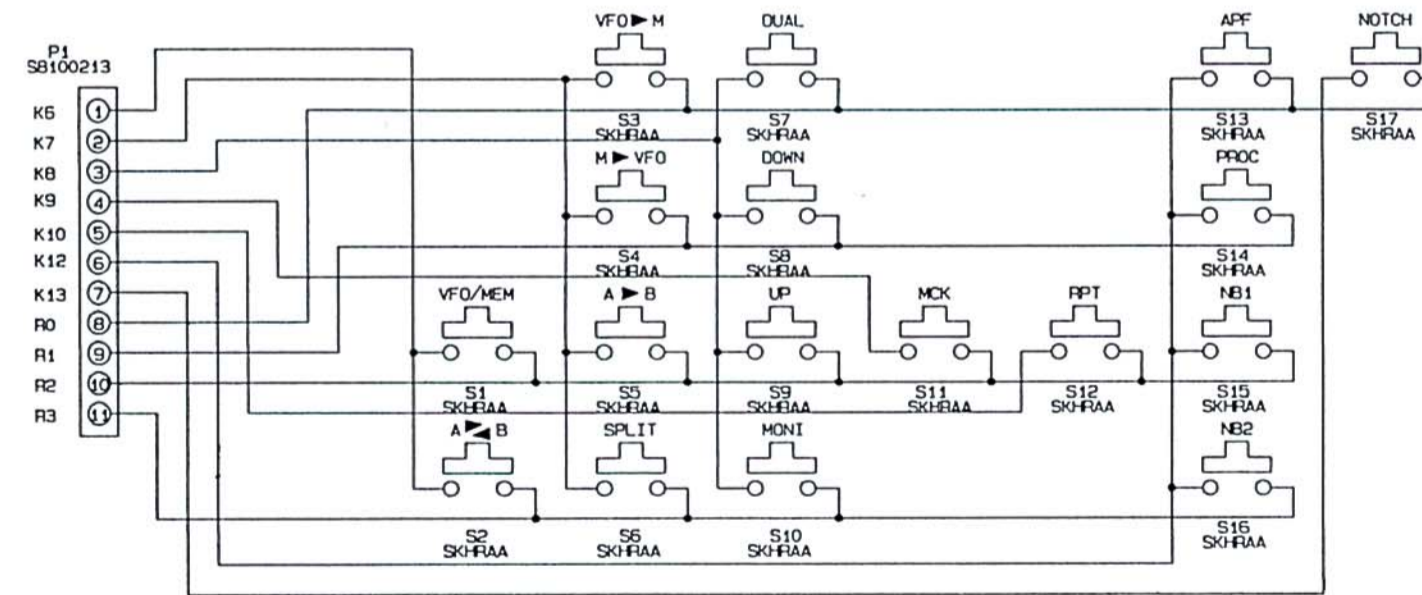
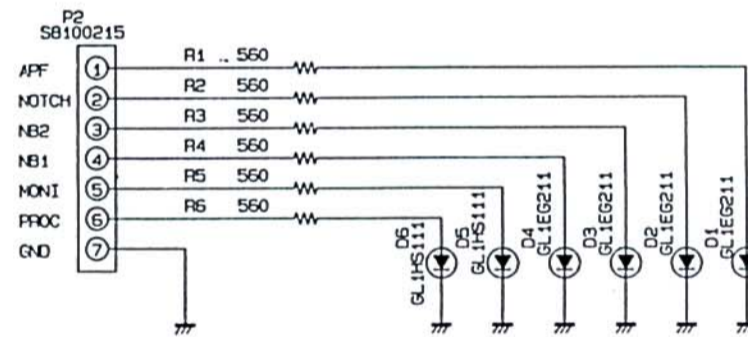
(schematic diagram)



(obverse view of "component" side)



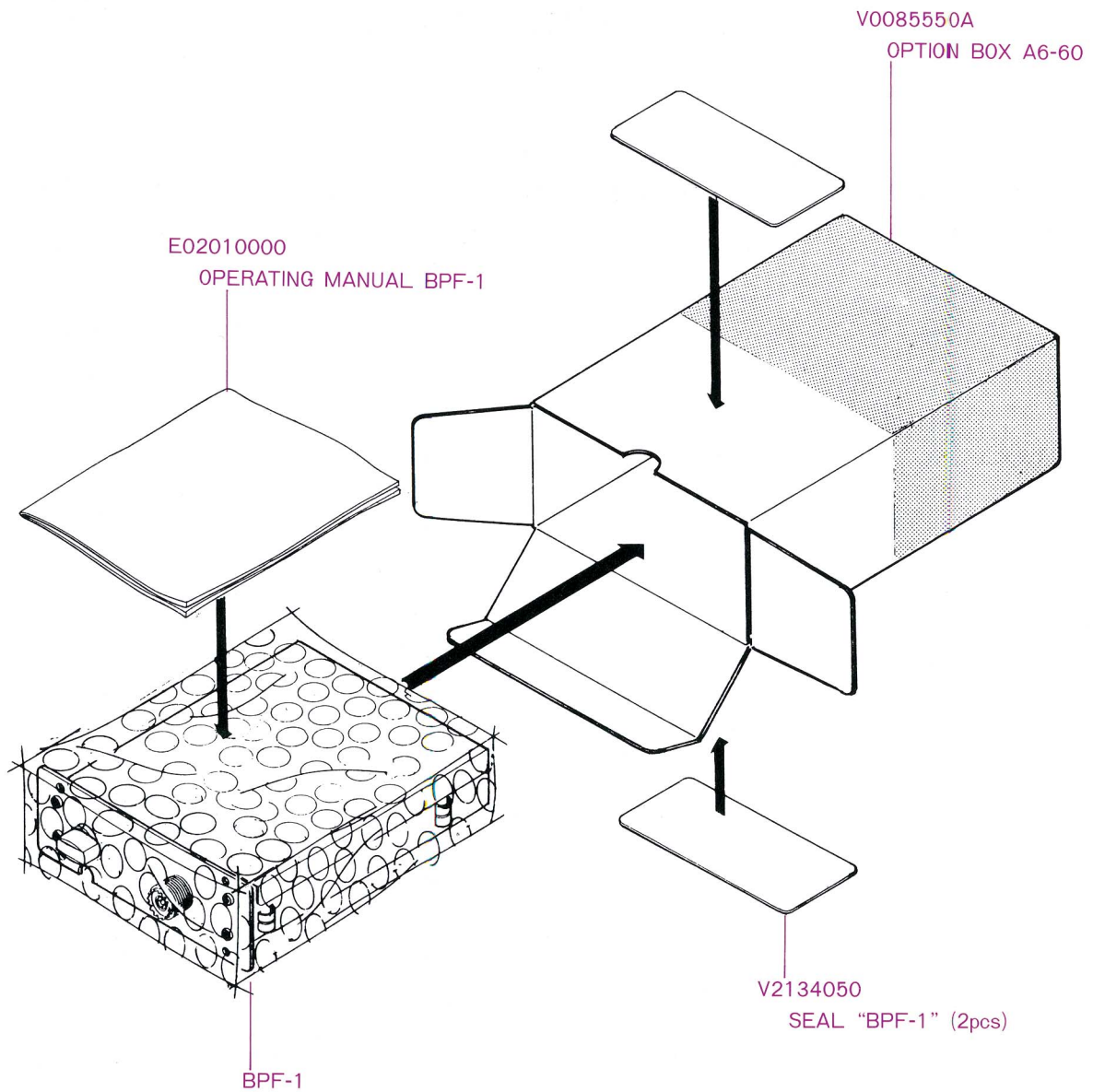
(obverse view of "solder" side)



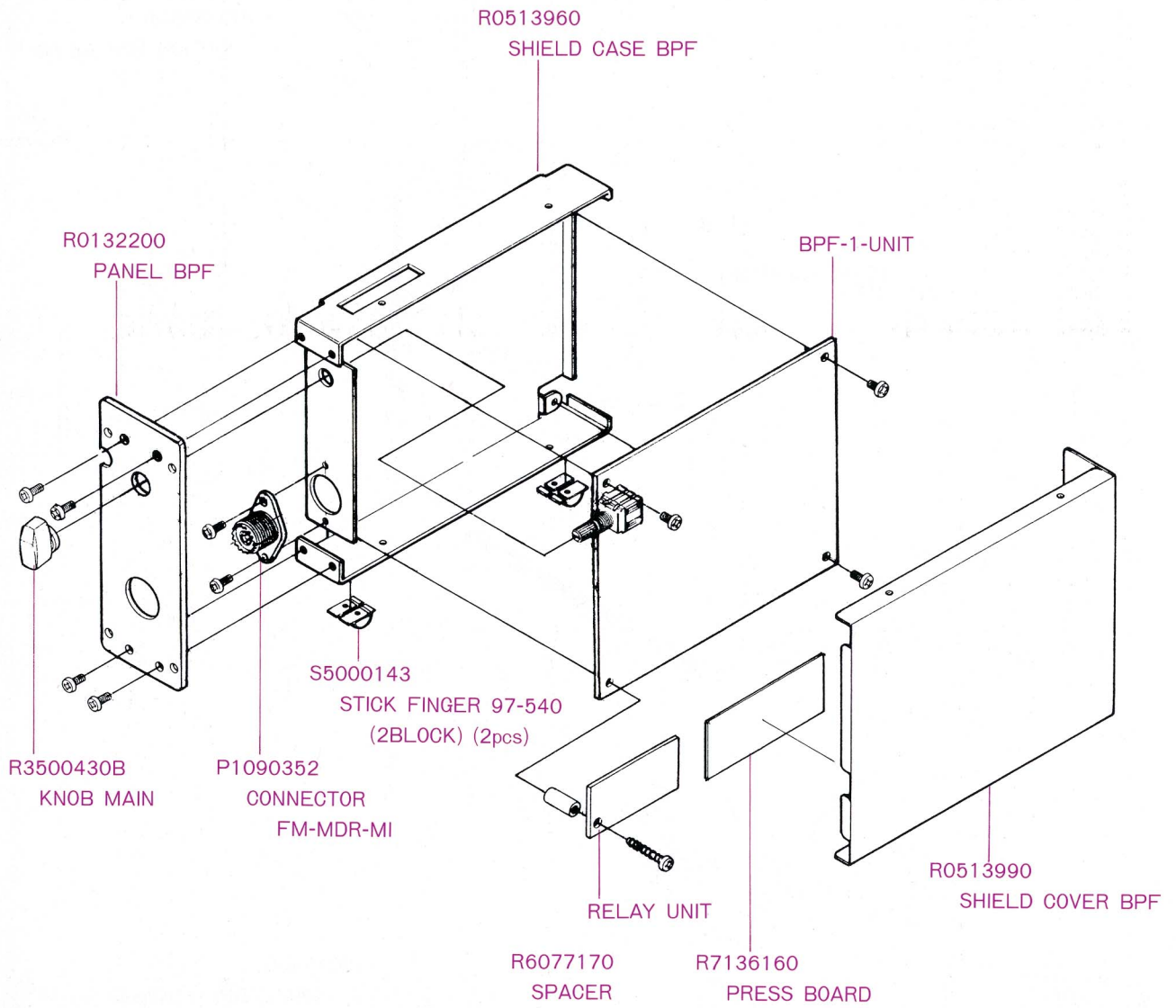
NOTE:
RESISTOR VALUES ARE IN Ω , 1/4W,
UNLESS OTHERWISE NOTED.

(schematic diagram)

BPF-1 Packaging



BPF-1 Exploded View



BPF-1 Parts List

REF.	DESCRIPTION	VALUE	WV	TOL.	MFGR'S DESIG	YAESU P/N	VERS.
*** BPF UNIT ***							
Printed Circuit Board						F3073101A	
C 9801	CERAMIC CAP.	68pF	50V	SL	DD104-979SL680J50	K26171025	
C 9802	CERAMIC CAP.	22pF	50V	SL	DD104-979SL220J50	K26171013	
C 9803	CERAMIC CAP.	150pF	50V	SL	DD105-979SL151J50	K26171033	
C 9804	CERAMIC CAP.	6pF	50V	SL	DD104-979SL060D50	K26171001	
C 9805	CERAMIC CAP.	68pF	50V	SL	DD104-979SL680J50	K26171025	
C 9806	CERAMIC CAP.	0.047uF	50V	F	DD306-979F473Z50	K26170726	
C 9807	AL. ELECTRO. CAP.	10pF	50V		50V100M5X11	K46170021	
C 9808	CERAMIC CAP.	0.0015uF	50V	X	UAU04X152K7L36VC	K26170703	
C 9809	CERAMIC CAP.	0.0027uF	50V	X	UAU05X272K7L36VC	K26170706	
C 9810	CERAMIC CAP.	0.0027uF	50V	X	UAU05X272K7L36VC	K26170706	
C 9811	CERAMIC CAP.	0.0015uF	50V	X	UAU04X152K7L36VC	K26170703	
C 9812	CERAMIC CAP.	0.047uF	50V	F	DD306-979F473Z50	K26170726	
C 9813	AL. ELECTRO. CAP.	10pF	50V		50V100M5X11	K46170021	
C 9814	CERAMIC CAP.	470pF	50V	SL	DD109-979SL471J50	K26171045	
C 9815	CERAMIC CAP.	0.047uF	50V	F	DD306-979F473Z50	K26170726	
C 9816	CERAMIC CAP.	0.0012uF	50V	X	UAU04X122K7L36VC	K26170702	
C 9817	CERAMIC CAP.	620pF	50V	SL	DD110-979SL621J50	K26171048	
C 9818	CERAMIC CAP.	270pF	50V	SL	DD107-979SL271J50	K26171039	
C 9819	CERAMIC CAP.	0.0012uF	50V	X	UAU04X122K7L36VC	K26170702	
C 9820	CERAMIC CAP.	0.047uF	50V	F	DD306-979F473Z50	K26170726	
C 9821	CERAMIC CAP.	510pF	50V	SL	DD109SL511J50	K00175511	
C 9822	AL. ELECTRO. CAP.	10pF	50V		50V100M5X11	K46170021	
C 9823	CERAMIC CAP.	270pF	50V	SL	DD107-979SL271J50	K26171039	
C 9824	CERAMIC CAP.	270pF	50V	SL	DD107-979SL271J50	K26171039	
C 9826	AL. ELECTRO. CAP.	10pF	50V		50V100M5X11	K46170021	
C 9827	CERAMIC CAP.	0.047uF	50V	F	DD306-979F473Z50	K26170726	
C 9828	CERAMIC CAP.	560pF	50V	SL	DD109-979SL561J50	K26171047	
C 9829	CERAMIC CAP.	0.047uF	50V	F	DD306-979F473Z50	K26170726	
C 9830	CERAMIC CAP.	200pF	50V	SL	DD106SL201J50	K00179019	
C 9831	CERAMIC CAP.	620pF	50V	SL	DD110-979SL621J50	K26171048	
C 9832	CERAMIC CAP.	200pF	50V	SL	DD106SL201J50	K00179019	
C 9833	CERAMIC CAP.	0.047uF	50V	F	DD306-979F473Z50	K26170726	
C 9834	CERAMIC CAP.	510pF	50V	SL	DD109SL511J50	K00175511	
C 9835	AL. ELECTRO. CAP.	10pF	50V		50V100M5X11	K46170021	
C 9836	CERAMIC CAP.	390pF	50V	SL	DD108-979SL391J50	K26171043	
C 9837	CERAMIC CAP.	0.047uF	50V	F	DD306-979F473Z50	K26170726	
C 9838	CERAMIC CAP.	110pF	50V	SL	DD105SL111J50	K00179015	
C 9839	CERAMIC CAP.	470pF	50V	SL	DD109-979SL471J50	K26171045	
C 9840	CERAMIC CAP.	300pF	50V	SL	DD107SL301J50	K00179021	
C 9841	CERAMIC CAP.	110pF	50V	SL	DD105SL111J50	K00179015	
C 9842	CERAMIC CAP.	0.047uF	50V	F	DD306-979F473Z50	K26170726	
C 9843	CERAMIC CAP.	390pF	50V	SL	DD108-979SL391J50	K26171043	
C 9844	AL. ELECTRO. CAP.	10pF	50V		50V100M5X11	K46170021	
C 9845	CERAMIC CAP.	180pF	50V	SL	DD106-979SL181J50	K26171035	
C 9846	CERAMIC CAP.	0.01uF	50V	F	DD104-979F103Z50	K26170657	
C 9847	CERAMIC CAP.	91pF	50V	SL	DD105SL910J50	K00179013	
C 9848	CERAMIC CAP.	390pF	50V	SL	DD108-979SL391J50	K26171043	
C 9849	CERAMIC CAP.	91pF	50V	SL	DD105SL910J50	K00179013	
C 9850	CERAMIC CAP.	0.01uF	50V	F	DD104-979F103Z50	K26170657	
C 9851	CERAMIC CAP.	180pF	50V	SL	DD106-979SL181J50	K26171035	
C 9852	AL. ELECTRO. CAP.	10pF	50V		50V100M5X11	K46170021	
C 9853	CERAMIC CAP.	270pF	50V	SL	DD107-979SL271J50	K26171039	
C 9854	CERAMIC CAP.	0.01uF	50V	F	DD104-979F103Z50	K26170657	
C 9855	CERAMIC CAP.	36pF	50V	SL	DD104SL360J50	K00179008	
C 9857	CERAMIC CAP.	470pF	50V	SL	DD109-979SL471J50	K26171045	
C 9858	CERAMIC CAP.	36pF	50V	SL	DD104SL360J50	K00179008	
C 9859	CERAMIC CAP.	0.01uF	50V	F	DD104-979F103Z50	K26170657	
C 9860	CERAMIC CAP.	270pF	50V	SL	DD107-979SL271J50	K26171039	
C 9861	AL. ELECTRO. CAP.	10pF	50V		50V100M5X11	K46170021	
C 9862	CERAMIC CAP.	150pF	50V	SL	DD105-979SL151J50	K26171033	
C 9863	CERAMIC CAP.	0.01uF	50V	F	DD104-979F103Z50	K26170657	
C 9864	CERAMIC CAP.	33pF	50V	SL	DD104-979SL330J50	K26171017	
C 9865	CERAMIC CAP.	360pF	50V	SL	DD108SL361J50	K00179022	
C 9866	CERAMIC CAP.	33pF	50V	SL	DD104-979SL330J50	K26171017	
C 9867	CERAMIC CAP.	0.01uF	50V	F	DD104-979F103Z50	K26170657	
C 9868	CERAMIC CAP.	160pF	50V	SL	DD106-979SL161J50	K26171034	
C 9869	AL. ELECTRO. CAP.	10pF	50V		50V100M5X11	K46170021	
C 9870	CERAMIC CAP.	150pF	50V	SL	DD105-979SL151J50	K26171033	
C 9871	CERAMIC CAP.	0.01uF	50V	F	DD104-979F103Z50	K26170657	
C 9872	CERAMIC CAP.	22pF	50V	SL	DD104-979SL220J50	K26171013	
C 9873	CERAMIC CAP.	360pF	50V	SL	DD108SL361J50	K00179022	
C 9874	CERAMIC CAP.	22pF	50V	SL	DD104-979SL220J50	K26171013	
C 9875	CERAMIC CAP.	0.01uF	50V	F	DD104-979F103Z50	K26170657	
C 9876	CERAMIC CAP.	160pF	50V	SL	DD106-979SL161J50	K26171034	
C 9877	AL. ELECTRO. CAP.	10pF	50V		50V100M5X11	K46170021	
C 9878	CERAMIC CAP.	120pF	50V	SL	DD105-979SL121J50	K26171031	

BPF-1 Parts List

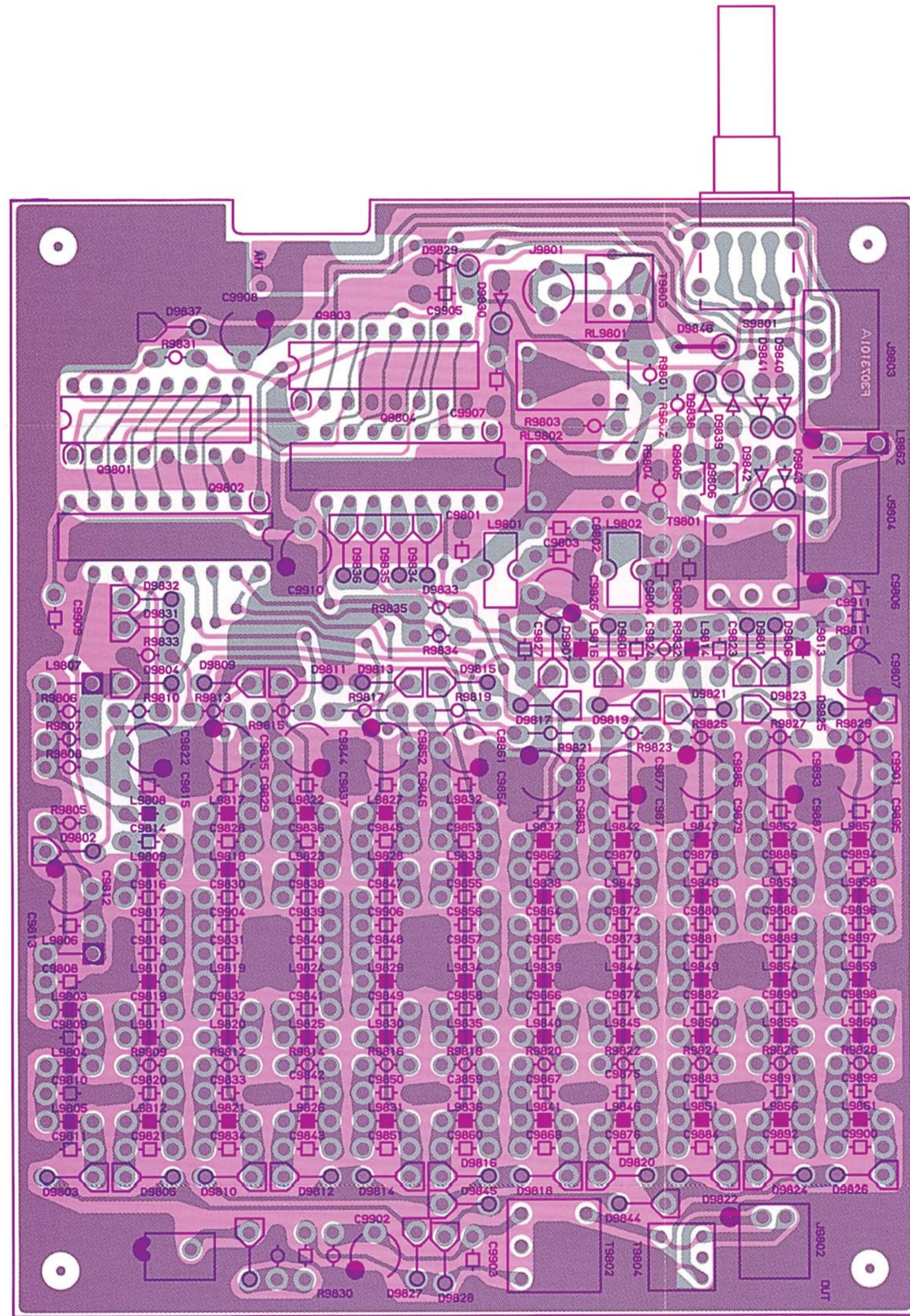
REF.	DESCRIPTION	VALUE	WV	TOL.	MFGR'S DESIG	YAESU P/N	VERS.
C 9879	CERAMIC CAP.	0.01uF	50V	F	DD104-979F103Z50	K26170657	
C 9880	CERAMIC CAP.	18pF	50V	SL	DD104-979SL180J50	K26171011	
C 9881	CERAMIC CAP.	270pF	50V	SL	DD107-979SL271J50	K26171039	
C 9882	CERAMIC CAP.	18pF	50V	SL	DD104-979SL180J50	K26171011	
C 9883	CERAMIC CAP.	0.01uF	50V	F	DD104-979F103Z50	K26170657	
C 9884	CERAMIC CAP.	130pF	50V	SL	DD105-979SL131J50	K26171032	
C 9885	AL. ELECTRO. CAP.	10pF	50V		50V100M5X11	K46170021	
C 9886	CERAMIC CAP.	68pF	50V	SL	DD104-979SL680J50	K26171025	
C 9887	CERAMIC CAP.	0.01uF	50V	F	DD104-979F103Z50	K26170657	
C 9888	CERAMIC CAP.	20pF	50V	SL	DD104SL200J50	K00179005	
C 9889	CERAMIC CAP.	150pF	50V	SL	DD105-979SL151J50	K26171033	
C 9890	CERAMIC CAP.	20pF	50V	SL	DD104SL200J50	K00179005	
C 9891	CERAMIC CAP.	0.01uF	50V	F	DD104-979F103Z50	K26170657	
C 9892	CERAMIC CAP.	68pF	50V	SL	DD104-979SL680J50	K26171025	
C 9893	AL. ELECTRO. CAP.	10pF	50V		50V100M5X11	K46170021	
C 9894	CERAMIC CAP.	24pF	50V	SL	DD104-979SL240J50	K26171014	
C 9895	CERAMIC CAP.	0.01uF	50V	F	DD104-979F103Z50	K26170657	
C 9896	CERAMIC CAP.	10pF	50V	SL	DD104-979SL100D50	K26171005	
C 9897	CERAMIC CAP.	100pF	50V	SL	DD105-979SL101J50	K26171029	
C 9898	CERAMIC CAP.	10pF	50V	SL	DD104-979SL100D50	K26171005	
C 9899	CERAMIC CAP.	0.01uF	50V	F	DD104-979F103Z50	K26170657	
C 9900	CERAMIC CAP.	33pF	50V	SL	DD104-979SL330J50	K26171017	
C 9901	AL. ELECTRO. CAP.	10pF	50V		50V100M5X11	K46170021	
C 9902	AL. ELECTRO. CAP.	10pF	50V		50V100M5X11	K46170021	
C 9903	CERAMIC CAP.	0.047uF	50V	F	DD306-979F473Z50	K26170726	
C 9904	CERAMIC CAP.	300pF	50V	SL	DD107SL301J50	K00179021	
C 9905	CERAMIC CAP.	0.01uF	50V	F	DD104-979F103Z50	K26170657	
C 9907	CERAMIC CAP.	0.01uF	50V	F	DD104-979F103Z50	K26170657	
C 9908	AL. ELECTRO. CAP.	10pF	50V		50V100M5X11	K46170021	
C 9909	CERAMIC CAP.	0.047uF	50V	F	DD306-979F473Z50	K26170726	
C 9910	AL. ELECTRO. CAP.	10pF	50V		50V100M5X11	K46170021	
C 9911	CERAMIC CAP.	0.047uF	50V	F	DD306-979F473Z50	K26170726	
C 9912	CERAMIC CAP.	0.047uF	50V	F	UP050F473Z-A-B	K28179002	
C 9913	CERAMIC CAP.	0.047uF	50V	F	UP050F473Z-A-B	K28179002	
C 9914	CERAMIC CAP.	0.047uF	50V	F	UP050F473Z-A-B	K28179002	
C 9921	CERAMIC CAP.	0.047uF	50V	F	UP050F473Z-A-B	K28179002	
D 9801	DIODE				1SS83RE	G2050007	
D 9802	DIODE				1SS83RE	G2050007	
D 9803	DIODE				1SS83RE	G2050007	
D 9804	DIODE				1SS83RE	G2050007	
D 9805	DIODE				1SS83RE	G2050007	
D 9806	DIODE				1SS83RE	G2050007	
D 9807	DIODE				1SS83RE	G2050007	
D 9808	DIODE				1SS83RE	G2050007	
D 9809	DIODE				1SS83RE	G2050007	
D 9810	DIODE				1SS83RE	G2050007	
D 9811	DIODE				1SS83RE	G2050007	
D 9812	DIODE				1SS83RE	G2050007	
D 9813	DIODE				1SS83RE	G2050007	
D 9814	DIODE				1SS83RE	G2050007	
D 9815	DIODE				1SS83RE	G2050007	
D 9816	DIODE				1SS83RE	G2050007	
D 9817	DIODE				1SS83RE	G2050007	
D 9818	DIODE				1SS83RE	G2050007	
D 9819	DIODE				1SS83RE	G2050007	
D 9820	DIODE				1SS83RE	G2050007	
D 9821	DIODE				1SS83RE	G2050007	
D 9822	DIODE				1SS83RE	G2050007	
D 9823	DIODE				1SS83RE	G2050007	
D 9824	DIODE				1SS83RE	G2050007	
D 9825	DIODE				1SS83RE	G2050007	
D 9826	DIODE				1SS83RE	G2050007	
D 9827	DIODE				1SS83RE	G2050007	
D 9828	DIODE				1SS83RE	G2050007	
D 9829	DIODE				1SS270TJ	G2060004	
D 9830	DIODE				1SS270TJ	G2060004	
D 9831	DIODE				1SS83RE	G2050007	
D 9832	DIODE				1SS83RE	G2050007	
D 9833	DIODE				1SS83RE	G2050007	
D 9834	DIODE				1SS83RE	G2050007	
D 9835	DIODE				1SS83RE	G2050007	
D 9836	DIODE				1SS83RE	G2050007	
D 9837	DIODE				HZ5C1	G2090188	
D 9838	DIODE				1SS270TJ	G2060004	
D 9839	DIODE				1SS270TJ	G2060004	
D 9840	DIODE				1SS270TJ	G2060004	
D 9841	DIODE				1SS270TJ	G2060004	
D 9842	DIODE				1SS270TJ	G2060004	
D 9843	DIODE				1SS270TJ	G2060004	

BPF-1 Parts List

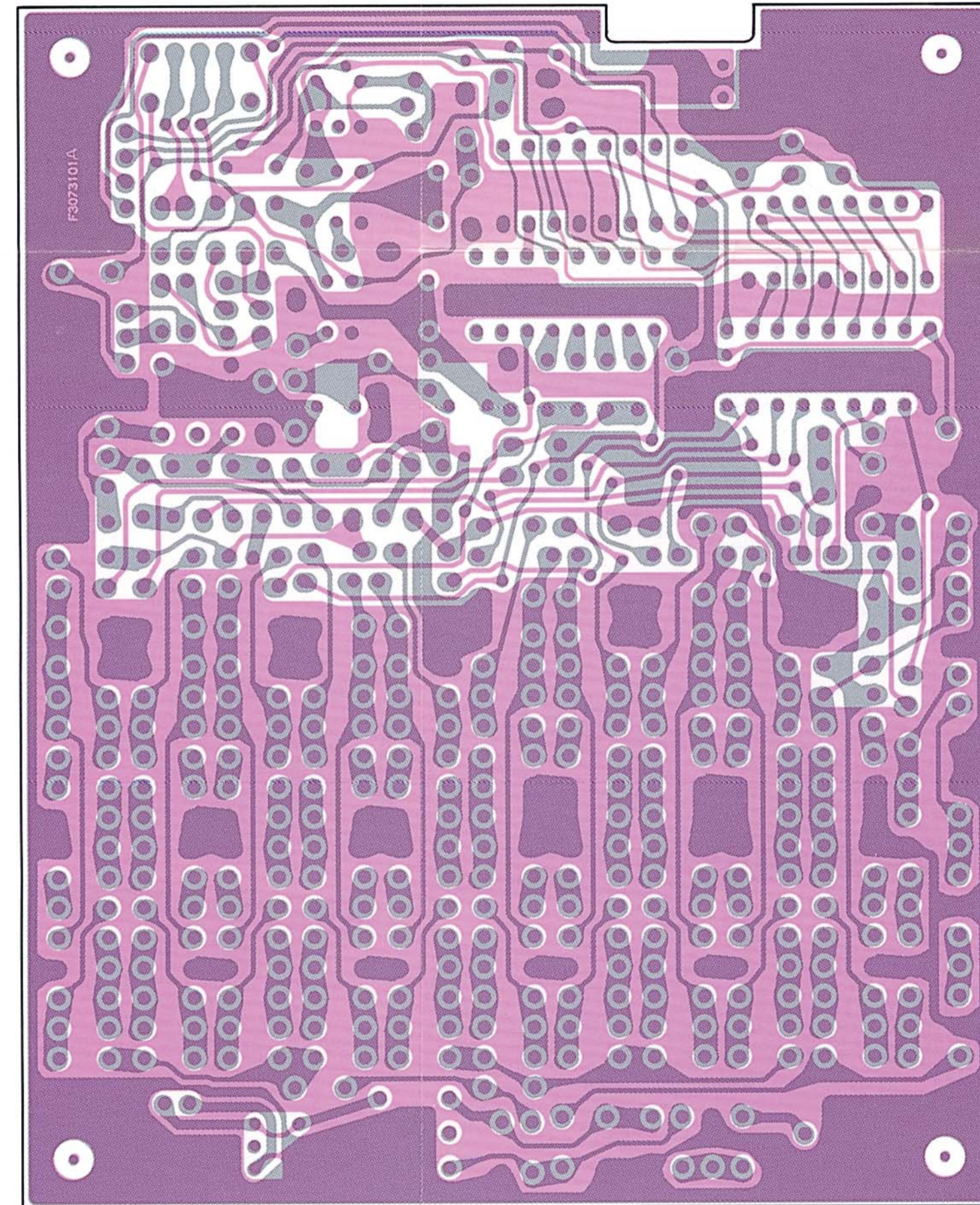
REF.	DESCRIPTION	VALUE	WV	TOL.	MFGR'S DESIG	YAESU P/N	VERS.
D 9844	DIODE				1SS83RE	G2050007	
D 9845	DIODE				1SS83RE	G2050007	
D 9846	SURGE ABSORBER				DSP201M-S00B	Q9000375	
J 9801	CONNECTOR				FM-MDR-MI	P1090352	
J 9802	CONNECTOR				SC25-02WL	P0090712	
J 9803	CONNECTOR				SC25-05WL	P0090638	
J 9804	CONNECTOR				SC25-04WL	P0090713	
L 9801	COIL				L0021222	L0021222	
L 9802	COIL				L0020927	L0020927	
L 9803	M. RFC				LAP02TA820K	L1790069	
L 9804	M. RFC				LAP02TA101K	L1790070	
L 9805	M. RFC				LAP02TA820K	L1790069	
L 9806	M. RFC				LAL03VB102K	L1790164	
L 9807	M. RFC				LAL03VB102K	L1790164	
L 9808	M. RFC				LAP02TA680K	L1790068	
L 9809	M. RFC				LAP02TA270K	L1790063	
L 9810	M. RFC				LAP02TA390K	L1790065	
L 9811	M. RFC				LAP02TA270K	L1790063	
L 9812	M. RFC				LAP02TA680K	L1790068	
L 9813	M. RFC				LAP02TA330K	L1790064	
L 9814	M. RFC				LAP02TA150K	L1790060	
L 9816	M. RFC				LAP02TA330K	L1790064	
L 9817	M. RFC				LAP02TA100K	L1790058	
L 9818	M. RFC				LAP02TA270K	L1790063	
L 9819	M. RFC				LAP02TA5R6K	L1790055	
L 9820	M. RFC				LAP02TA270K	L1790063	
L 9821	M. RFC				LAP02TA100K	L1790058	
L 9822	M. RFC				LAP02TA6R8K	L1790056	
L 9823	M. RFC				LAP02TA220K	L1790062	
L 9824	M. RFC				LAP02TA3R3K	L1790052	
L 9825	M. RFC				LAP02TA220K	L1790062	
L 9826	M. RFC				LAP02TA6R8K	L1790056	
L 9827	M. RFC				LAP02TA5R6K	L1790055	
L 9828	M. RFC				LAP02TA120K	L1790059	
L 9829	M. RFC				LAP02TA2R7K	L1790051	
L 9830	M. RFC				LAP02TA120K	L1790059	
L 9831	M. RFC				LAP02TA5R6K	L1790055	
L 9832	M. RFC				LAP02TA1R8K	L1790049	
L 9833	M. RFC				LAP02TA150K	L1790060	
L 9834	M. RFC				LAP02TA1R2K	L1790047	
L 9835	M. RFC				LAP02TA150K	L1790060	
L 9836	M. RFC				LAP02TA1R8K	L1790049	
L 9837	M. RFC				LAP02TA1R8K	L1790049	
L 9838	M. RFC				LAP02TA100K	L1790058	
L 9839	M. RFC				LAP02TA1R0K	L1790046	
L 9840	M. RFC				LAP02TA100K	L1790058	
L 9841	M. RFC				LAP02TA1R8K	L1790049	
L 9842	M. RFC				LAP02TA1R2K	L1790047	
L 9843	M. RFC				LAP02TA100K	L1790058	
L 9844	M. RFC				LAP02TA6R8K	L1790044	
L 9845	M. RFC				LAP02TA100K	L1790058	
L 9846	M. RFC				LAP02TA1R2K	L1790047	
L 9847	M. RFC				LAP02TA1R0K	L1790046	
L 9848	M. RFC				LAP02TA8R2K	L1790057	
L 9849	M. RFC				LAP02TA5R6K	L1790043	
L 9850	M. RFC				LAP02TA8R2K	L1790057	
L 9851	M. RFC				LAP02TA1R0K	L1790046	
L 9852	M. RFC				LAP02TA1R0K	L1790046	
L 9853	M. RFC				LAP02TA3R9K	L1790053	
L 9854	M. RFC				LAP02TA5R6K	L1790043	
L 9855	M. RFC				LAP02TA3R9K	L1790053	
L 9856	M. RFC				LAP02TA1R0K	L1790046	
L 9857	M. RFC				LAP02TA6R8K	L1790044	
L 9858	M. RFC				LAP02TA3R3K	L1790052	
L 9859	M. RFC				LAP02TA3R9K	L1790041	
L 9860	M. RFC				LAP02TA3R3K	L1790052	
L 9861	M. RFC				LAP02TA6R8K	L1790044	
L 9862	M. RFC				LAL03VB101K	L1790152	
Q 9801	IC				UPD74HC238C	G1090979	
Q 9802	IC				M54564P	G1090836	
Q 9803	IC				UPD74HC238C	G1090979	
Q 9804	IC				M54564P	G1090836	
Q 9805	TRANSISTOR				BN1A4P-T	G3050002	
Q 9806	TRANSISTOR				BN1A4P-T	G3050002	
R 9801	CARBON FILM RES.	47	1/2W	5%	RD12TJ470	J01275470	
R 9802	CARBON FILM RES.	150	1/2W	5%	RD12TJ151	J01275151	

BPF-1 Parts List

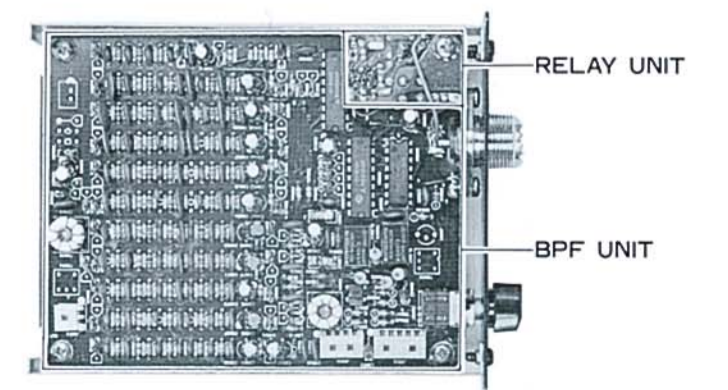
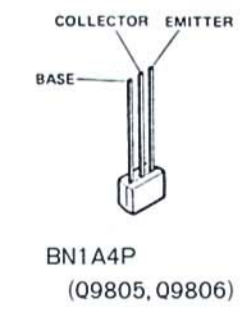
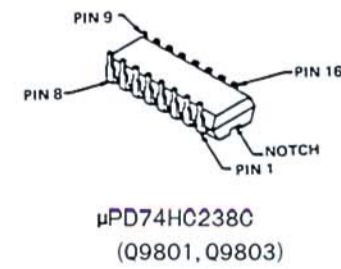
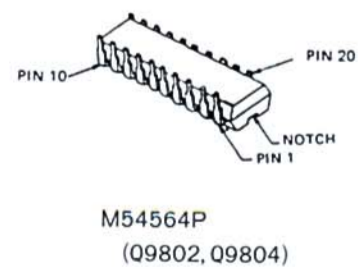
REF.	DESCRIPTION	VALUE	WV	TOL.	MFGR'S DESIG	YAESU P/N	VERS.
R 9803	CARBON FILM RES.	100	1/2W	5%	RD12TJ101	J01275101	
R 9804	CARBON FILM RES.	68	1/2W	5%	RD12TJ680	J01275680	
R 9805	CARBON FILM RES.	33	1/6W	5%	RD16TPJ330	J07225330	
R 9806	CARBON FILM RES.	390	1/6W	5%	RD16TPJ391	J07225391	
R 9807	CARBON FILM RES.	270	1/6W	5%	RD16TPJ271	J07225271	
R 9808	CARBON FILM RES.	390	1/6W	5%	RD16TPJ391	J07225391	
R 9809	CARBON FILM RES.	100	1/6W	5%	RD16TPJ101	J07225101	
R 9810	CARBON FILM RES.	33	1/6W	5%	RD16TPJ330	J07225330	
R 9811	CARBON FILM RES.	330	1/4W	5%	RD14SJ331	J02245331	
R 9812	CARBON FILM RES.	100	1/6W	5%	RD16TPJ101	J07225101	
R 9813	CARBON FILM RES.	33	1/6W	5%	RD16TPJ330	J07225330	
R 9814	CARBON FILM RES.	100	1/6W	5%	RD16TPJ101	J07225101	
R 9815	CARBON FILM RES.	33	1/6W	5%	RD16TPJ330	J07225330	
R 9816	CARBON FILM RES.	100	1/6W	5%	RD16TPJ101	J07225101	
R 9817	CARBON FILM RES.	33	1/6W	5%	RD16TPJ330	J07225330	
R 9818	CARBON FILM RES.	100	1/6W	5%	RD16TPJ101	J07225101	
R 9819	CARBON FILM RES.	33	1/6W	5%	RD16TPJ330	J07225330	
R 9820	CARBON FILM RES.	100	1/6W	5%	RD16TPJ101	J07225101	
R 9821	CARBON FILM RES.	33	1/6W	5%	RD16TPJ330	J07225330	
R 9822	CARBON FILM RES.	100	1/6W	5%	RD16TPJ101	J07225101	
R 9823	CARBON FILM RES.	33	1/6W	5%	RD16TPJ330	J07225330	
R 9824	CARBON FILM RES.	100	1/6W	5%	RD16TPJ101	J07225101	
R 9825	CARBON FILM RES.	33	1/6W	5%	RD16TPJ330	J07225330	
R 9826	CARBON FILM RES.	100	1/6W	5%	RD16TPJ101	J07225101	
R 9827	CARBON FILM RES.	33	1/6W	5%	RD16TPJ330	J07225330	
R 9828	CARBON FILM RES.	100	1/6W	5%	RD16TPJ101	J07225101	
R 9829	CARBON FILM RES.	33	1/6W	5%	RD16TPJ330	J07225330	
R 9830	CARBON FILM RES.	220	1/4W	5%	RD14SJ221	J02245221	
R 9831	CARBON FILM RES.	680	1/6W	5%	RD16PJ681	J01225681	
R 9832	CARBON FILM RES.	33	1/6W	5%	RD16TPJ330	J07225330	
R 9833	CARBON FILM RES.	47K	1/6W	5%	RD16TPJ473	J07225473	
R 9834	CARBON FILM RES.	47K	1/6W	5%	RD16TPJ473	J07225473	
R 9835	CARBON FILM RES.	47K	1/6W	5%	RD16TPJ473	J07225473	
RL9801	RELAY		DC12V		AG4013	M1190090	
RL9802	RELAY		DC12V		AG4013	M1190090	
S 9801	ROTARY SWITCH				SRBM15 L=15	N0190151	
T 9801	COIL					L0020883	
T 9802	COIL					L0020883	
	PANEL BPF					R0132200	
	SHIELD CASE BPF					R0513960	
	SHIELD COVER BPF					R0513990	
	KNOB MAIN					R3500430B	
	SPACER					R6077170	
	PRESS BOARD					R7136160	
	STICK FINGER (2pcs)				97-540 (2BLOCK)	S5000143	
*** RELAY UNIT ***							
	Printed Circuit Board					F3158101	
C 9915	CHIP CAP.	0.022uF	50	B	GRM40B223M50PT	K22170821	
C 9916	CHIP CAP.	0.01uF	50	B	GRM40B103M50PT	K22170817	
C 9917	CHIP CAP.	0.01uF	50	B	GRM40B103M50PT	K22170817	
C 9918	CERAMIC CAP.	36pF	500	SL	DD06SL360J500V	K00275360	
C 9919	MICA CAP.	5pF	50		LCQ11050D5	K30273050	
C 9920	CHIP CAP.	0.022uF	50	B	GRM40B223M50PT	K22170821	
D 9847	DIODE				1SS270	G2090408	
D 9848	DIODE				1SS83	G2090340	
D 9849	DIODE				1SS83	G2090340	
F 9801	LAMP				BQ041-22803A	Q1000010	
Q 9807	TRANSISTOR				2SC2712GR TE85R	G3327127G	
Q 9808	TRANSISTOR				2SC2712GR TE85R	G3327127G	
R 9836	CHIP RES.	15	1/10W	5%	RMC1/10T 150J	J24205150	
R 9837	CHIP RES.	100K	1/10W	5%	RMC1/10T 104J	J24205104	
R 9838	CHIP RES.	10K	1/10W	5%	RMC1/10T 103J	J24205103	
R 9839	CHIP RES.	0	1/10W	5%	RMC1/10T 000J	J24205000	
RL9803	RELAY		DC12V		AE5343	M1190005	



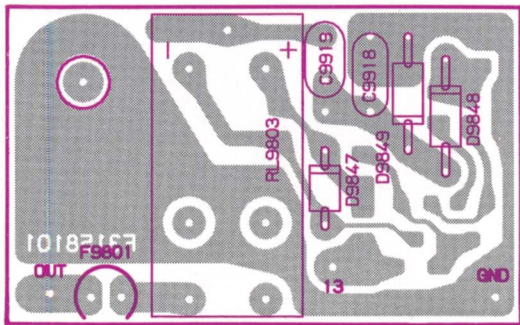
(obverse view of "component" side)



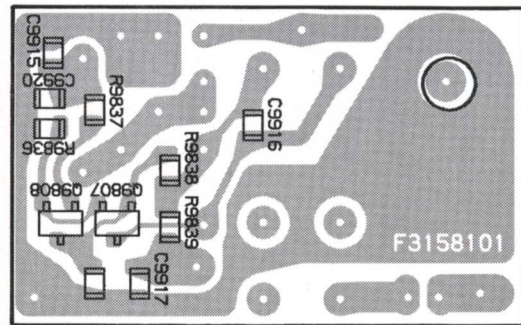
(obverse view of "solder" side)



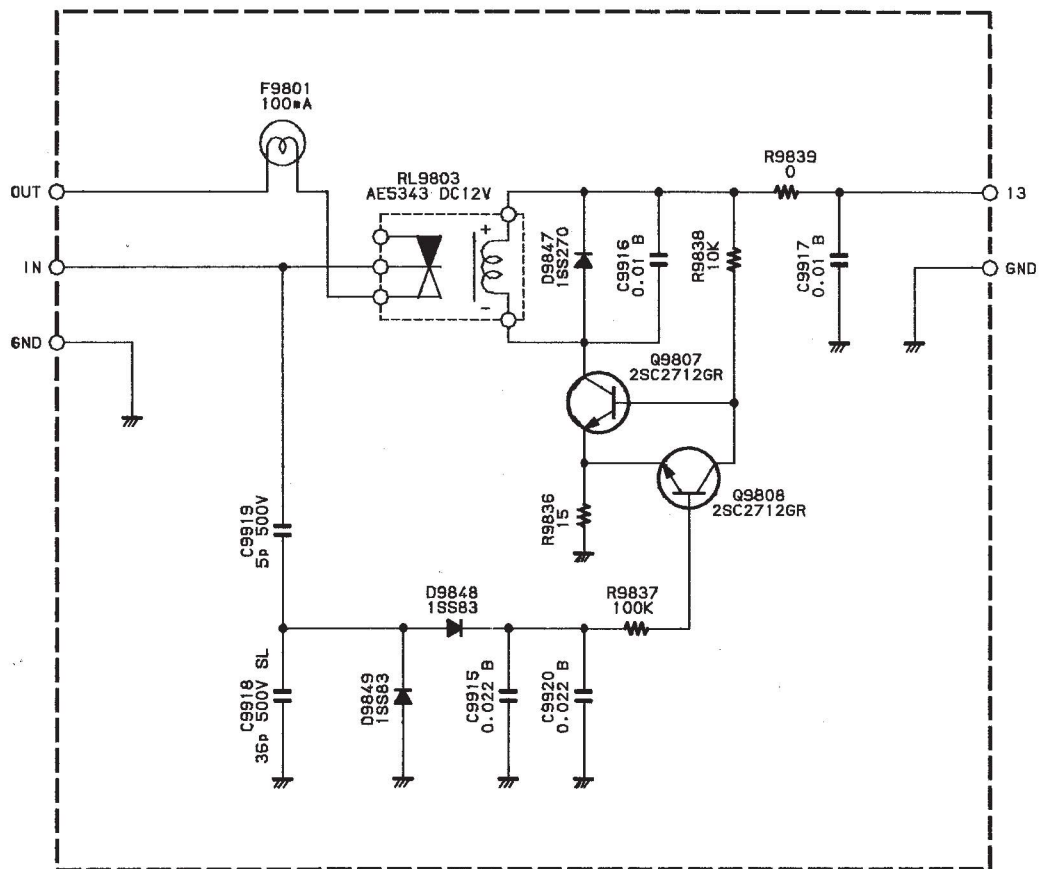
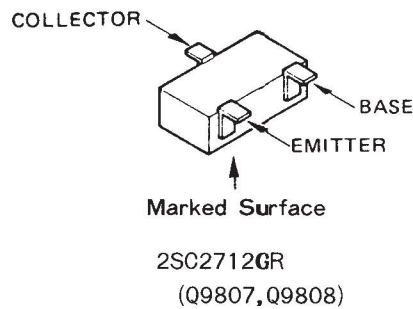
BPF-1 Relay Unit Layout & Schematic



(obverse view of "component" side)

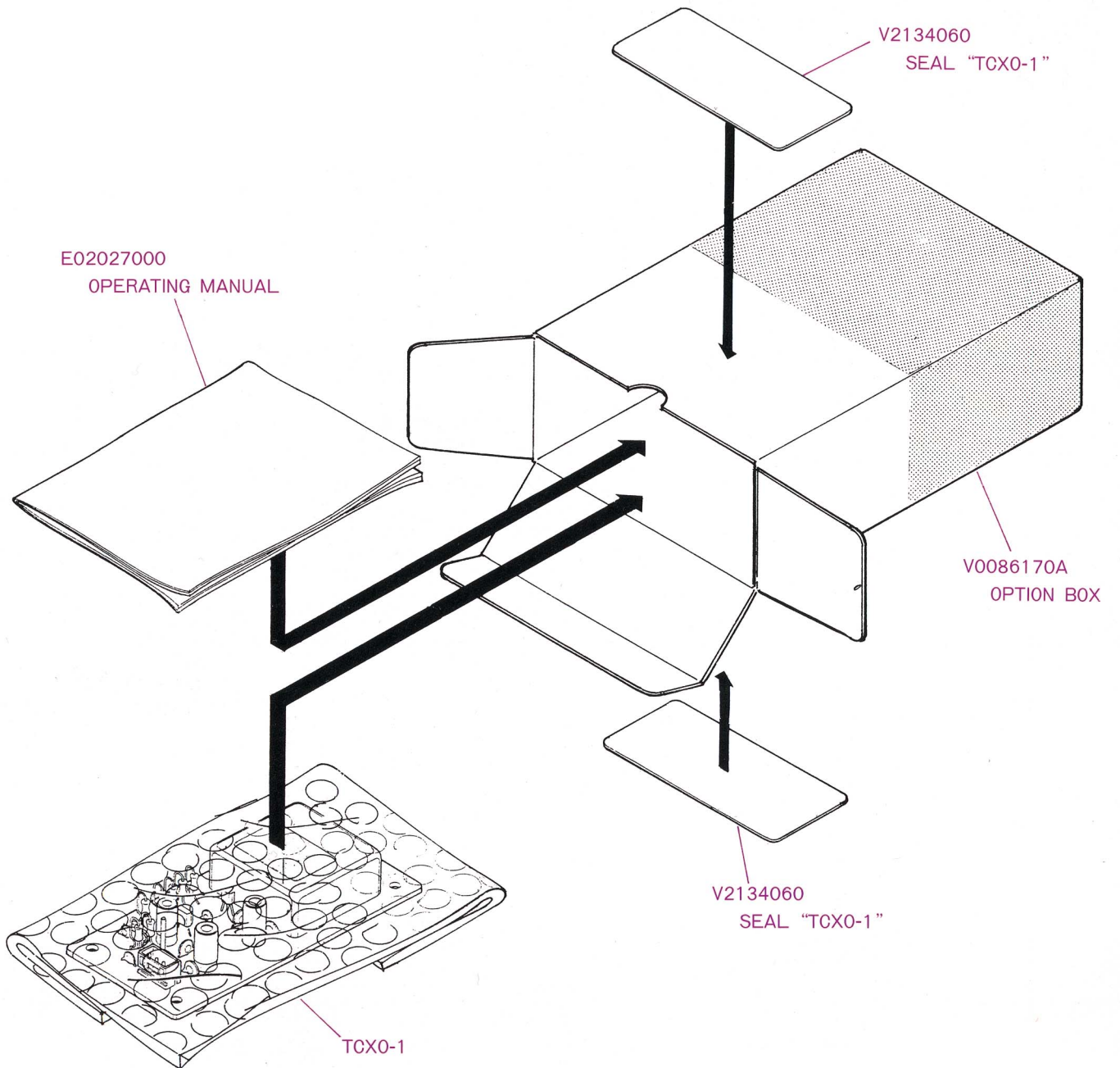


(obverse view of "chip-only" side)



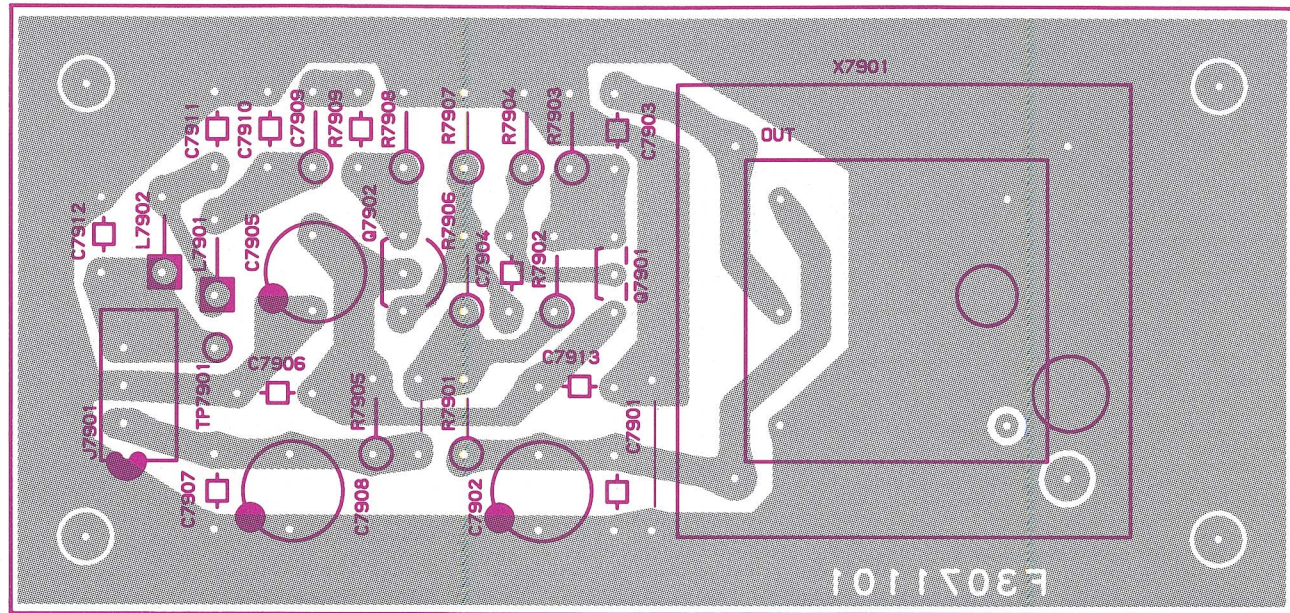
Notes

TCXO-1 Packaging

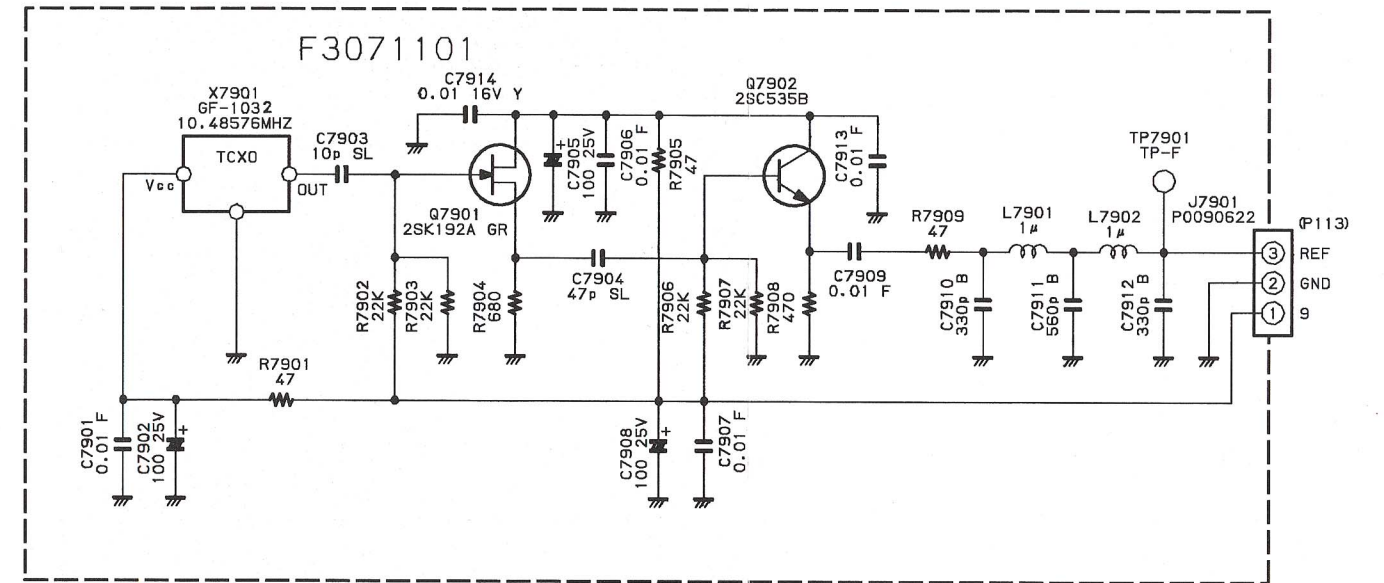


TCXO-1 Parts List

REF.	DESCRIPTION	VALUE	WV	TOL.	MFGR'S DESIG	YAESU P/N	VERS.
*** TCXO-1 ***							
	PCB with Components					CA0090002	
	Printed Circuit Board					F3071101	
C 7901	CERAMIC CAP.	0.01uF	50V	F	DD106-979F103Z50	K26170657	
C 7902	AL. ELECTRO. CAP.	100uF	25V		25V101M6X11TR5	K46140005	
C 7903	CERAMIC CAP.	10pF	50V	SL	DD104-979SL100D50	K26171005	
C 7904	CERAMIC CAP.	47pF	50V	SL	DD104-979SL470J50	K26171021	
C 7905	AL. ELECTRO. CAP.	100uF	25V		25V101M6X11TR5	K46140005	
C 7906	CERAMIC CAP.	0.01uF	50V	F	DD106-979F103Z50	K26170657	
C 7907	CERAMIC CAP.	0.01uF	50V	F	DD106-979F103Z50	K26170657	
C 7908	AL. ELECTRO. CAP.	100uF	25V		25V101M6X11TR5	K46140005	
C 7909	CERAMIC CAP.	0.01uF	50V	F	DD106-979F103Z50	K26170657	
C 7910	CERAMIC CAP.	330pF	50V	B	DD104-979B331K50	K26171608	
C 7911	CERAMIC CAP.	560pF	50V	B	DD104-979B561K50	K26171611	
C 7912	CERAMIC CAP.	330pF	50V	B	DD104-979B331K50	K26171608	
C 7913	CERAMIC CAP.	0.01uF	50V	F	DD106-979F103Z50	K26170657	
C 7914	CERAMIC CAP.	0.01uF	16V	Y	EP050Y103N-A	K28129001	
J 7901	CONNECTOR				SC25-03WS	P0090622	
JP7901	JUMPER WIRE C 0.6-5.				0.6-5.0	Q6100015	
JP7902	JUMPER WIRE C 0.6-1				0.6-10.0	Q6100002	
L 7901	M. RFC	1uH			LAL03VB1ROM	L1790128	
L 7902	M. RFC	1uH			LAL03VB1ROM	L1790128	
Q 7901	FET				2SK192AGR	G3801921G	
Q 7902	TRANSISTOR				2SC535BTZ	G3305354B	
R 7901	CARBON FILM RES.	47	1/4W	5%	RD25UJ470T 47	J06245470	
R 7902	CARBON FILM RES.	22K	1/4W	5%	RD25UJ223T 22K	J06245223	
R 7903	CARBON FILM RES.	22K	1/4W	5%	RD25UJ223T 22K	J06245223	
R 7904	CARBON FILM RES.	680	1/4W	5%	RD25UJ681T 680	J06245681	
R 7905	CARBON FILM RES.	47	1/4W	5%	RD25UJ470T 47	J06245470	
R 7906	CARBON FILM RES.	22K	1/4W	5%	RD25UJ223T 22K	J06245223	
R 7907	CARBON FILM RES.	22K	1/4W	5%	RD25UJ223T 22K	J06245223	
R 7908	CARBON FILM RES.	470	1/4W	5%	RD25UJ471T 470	J06245471	
R 7909	CARBON FILM RES.	47	1/4W	5%	RD25UJ470T 47	J06245470	
TP7901	TP-F				TP-F IPS-1032	Q5000026	
X 7901	XTAL				GF-1032 10.48576	H9500150	

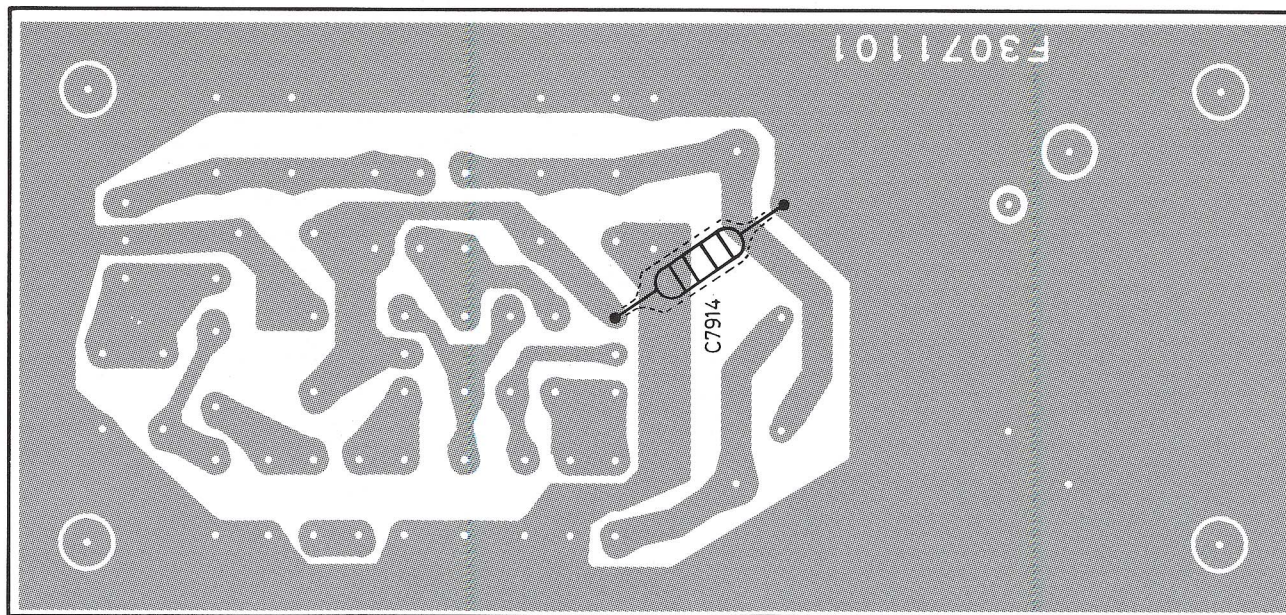


(obverse view of "component" side)

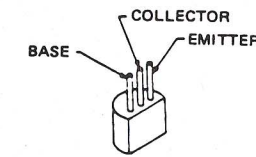


(schematic diagram)

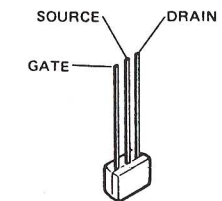
NOTE:
 RESISTOR VALUES ARE IN Ω, 1/4W ;
 CAPACITOR VALUES ARE IN μF, 50V ;
 INDUCTOR VALUES ARE IN H
 UNLESS OTHERWISE NOTED.



(obverse view of "solder" side)



2SC535BTZ
(Q7902)



2SK192AGR
(Q7901)

YAESU

...leading the way.SM

VERTEX STANDARD CO., LTD.

4-8-8 Nakameguro, Meguro-Ku, Tokyo 153-8644, Japan

VERTEX STANDARD

US Headquarters

10900 Walker Street, Cypress, CA 90630, U.S.A.

International Division

8350 N.W. 52nd Terrace, Suite 201, Miami, FL 33166, U.S.A.

YAESU EUROPE B.V.

P.O. Box 75525, 1118 ZN Schiphol, The Netherlands

YAESU UK LTD.

Unit 12, Sun Valley Business Park, Winnall Close
Winchester, Hampshire, SO23 0LB, U.K.

VERTEX STANDARD HK LTD.

Unit 5, 20/F., Seaview Centre, 139-141 Hoi Bun Road,
Kwun Tong, Kowloon, Hong Kong

Copyright 2002

VERTEX STANDARD CO., LTD.

All rights reserved.

No portion of this manual

may be reproduced

without the permission of

VERTEX STANDARD CO., LTD.

Printed in Japan