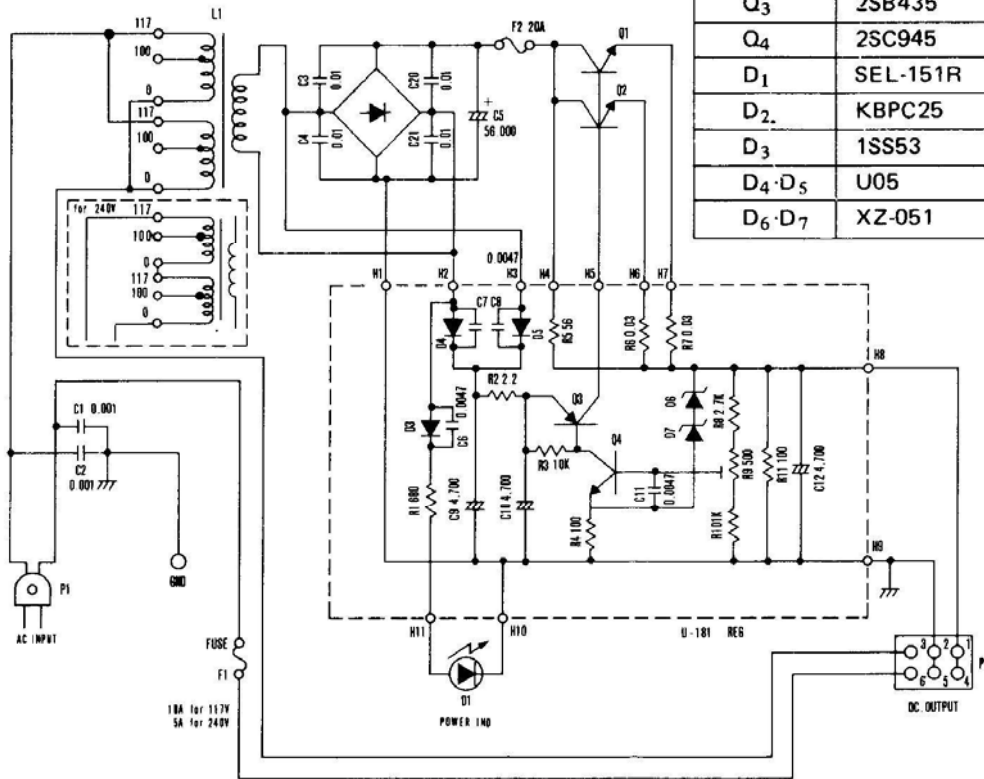


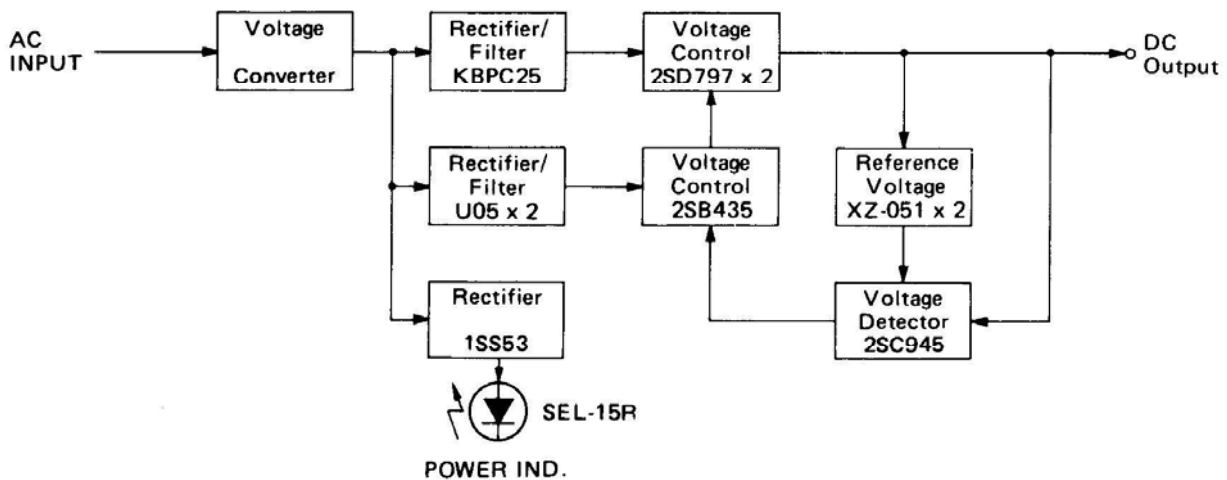
SCHEMATIC DIAGRAM

COMPONENTS USED IN POWER CIRCUIT

| PART No. | Type | Operation |
|--------------------------------|----------|-------------------|
| Q ₁ ·Q ₂ | 2SD797 | Voltage Control |
| Q ₃ | 2SB435 | Voltage Control |
| Q ₄ | 2SC945 | Voltage Detector |
| D ₁ | SEL-151R | Power IND. |
| D ₂ | KBPC25 | Rectifier/Filter |
| D ₃ | 1SS53 | Rectifier |
| D ₄ ·D ₅ | U05 | Rectifier/Filter |
| D ₆ ·D ₇ | XZ-051 | Reference Voltage |



BLOCK DIAGRAM



Downloaded by
 Amateur Radio Directory

www.hamdirectory.info

ICOM INCORPORATED

1-6-19, KAMI KURATSUKURI, HIRANO-KU,
 OSAKA JAPAN